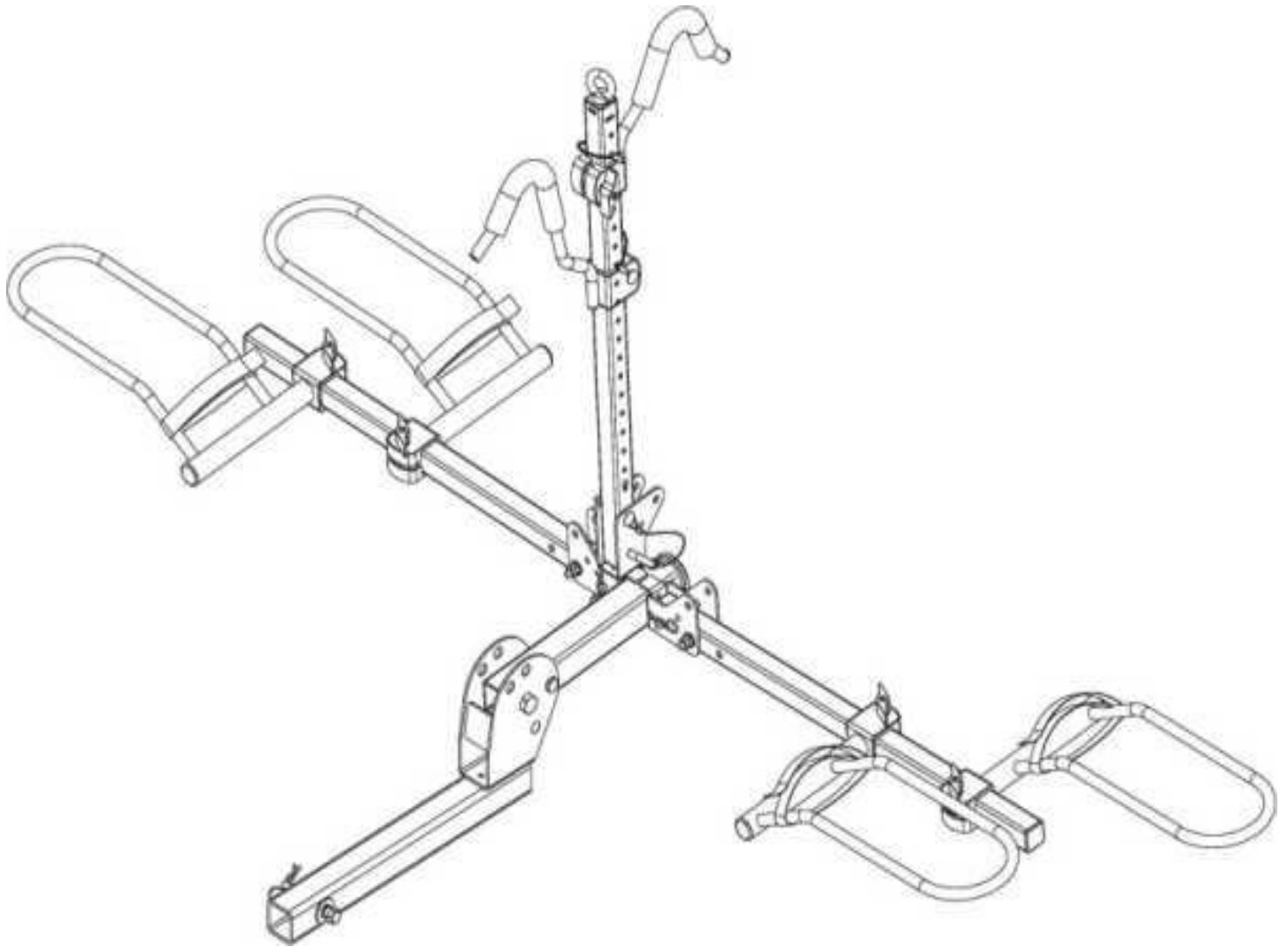




## PLATFORM BIKE RACK-2 BIKE



# WARNING

Read this manual thoroughly before installing and using your bike carrier. Failure to follow instructions could result in serious injury to person or property.

The bicycle carrier should not be used for TOWING or any pulling purpose.

The weight capacity of this carrier is 200 lbs.

DO NOT exceed the rated capacity of this bike carrier.

DO NOT use this bike carrier for transporting or carrying other items or materials besides bicycles.

**Read this owner's manual before using your bike rack. Familiarize yourself with the location and function of the controls and features. Save this manual for future reference.**

## Assembly Recommended Tools:



Monkey Wrench (1pc)  
Size=300mm



Open Wrench (1pc)  
Size=17mm

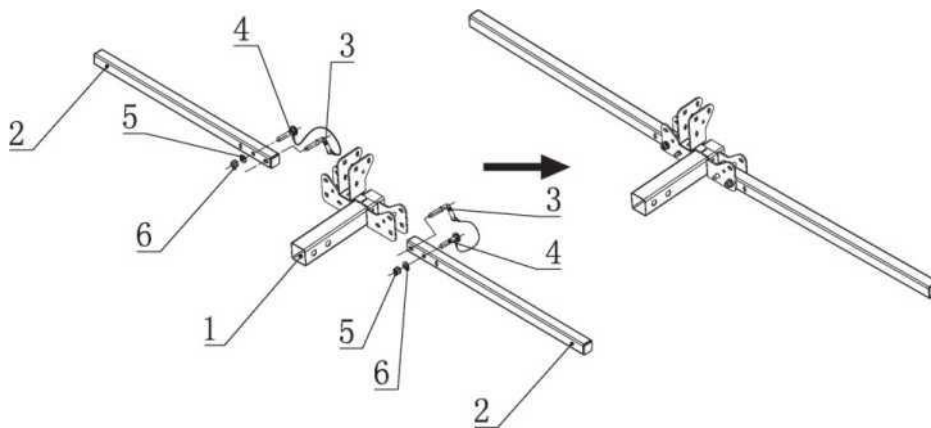


Open Wrench (1pc)  
Size=24mm

## Assembly Instructions

**STEP 1** Assemble the primary frame by taking Support base assembly (#1) and Horizontal arm (#2) using M10 carriage bolt (#4)、L Pin (#3)、M10 flat washer (#5) and M10 lock nut (#6) . Turn L Pin (#3) and Support base assembly (#1) 90 degrees to lock Horizontal arm (#2) . See Fig 1

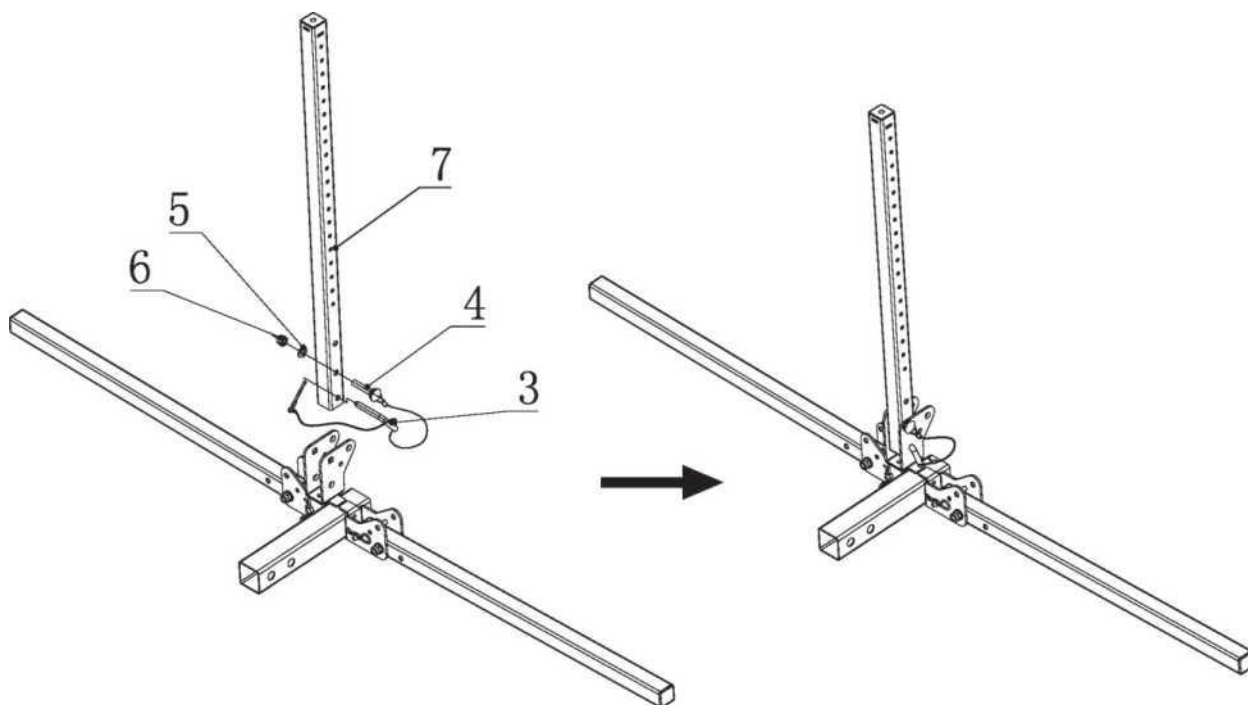
FIG 1



**STEP 2** Place Vertical arm (#7) into the U bracket of Support Base assembly, using M10 carriage bolt (#4)、L Pin (#3) > M10 flat washer (#5) and M10 lock nut (#6) , with the Vertical arm (#7) in vertical position, insert the L Pin (#3) . Turn L Pin (#3) 90 degrees

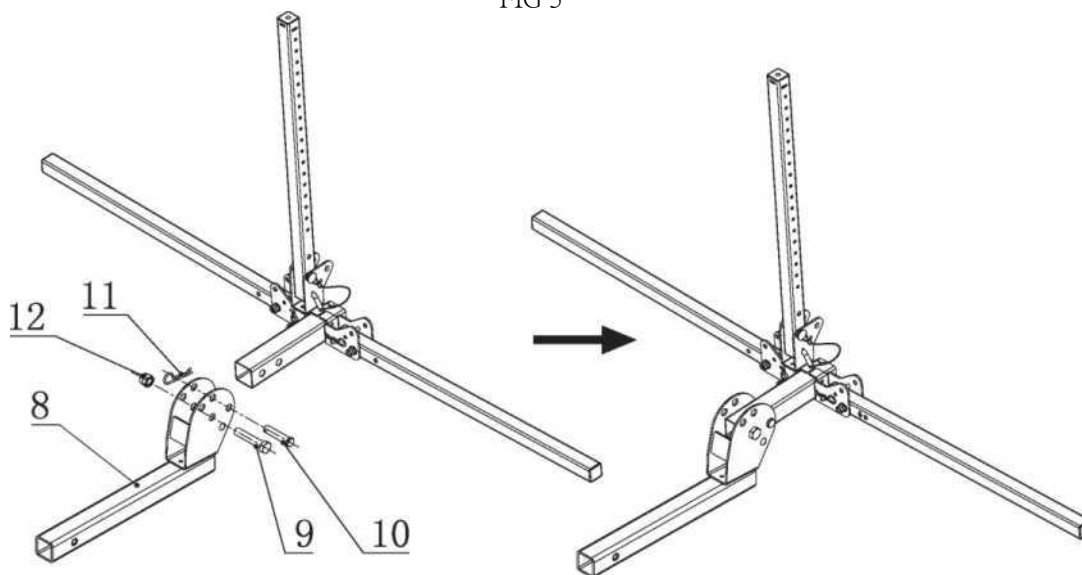
to lock Vertical arm (#7) . See Fig 2

FIG 2



**STEP 3** Attach Folding Shank(#8) to Support Base assembly tube, using M16 BOLT (#9) , M16 LOCKNUT (#12) , pin (#10) and Clip (#11) for extra safety. See Fig 3

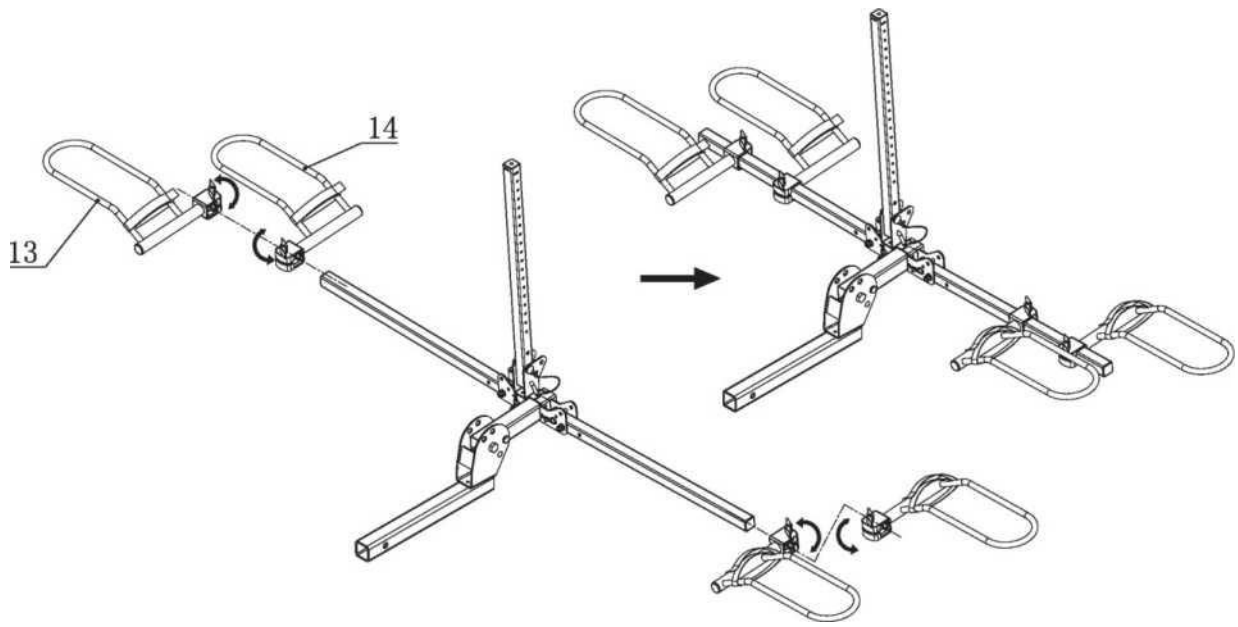
FIG 3



**STEP 4** Slide the cradles onto the horizontal arms. Release the knob of the left and right cradle (#13 、 #14). The knob should be facing up and the loop end of cradle should be facing outward and upward. Insert the cradles in sequence as shown below Fig 4.

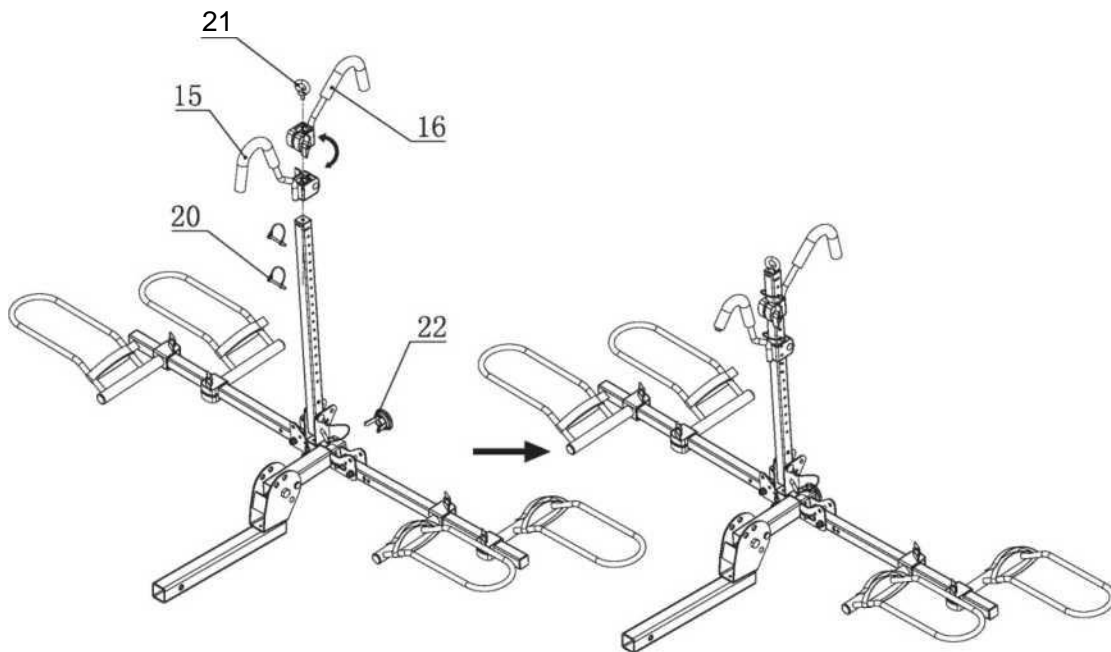
After all 4 cradles are on the horizontal arms, tighten.

FIG 4



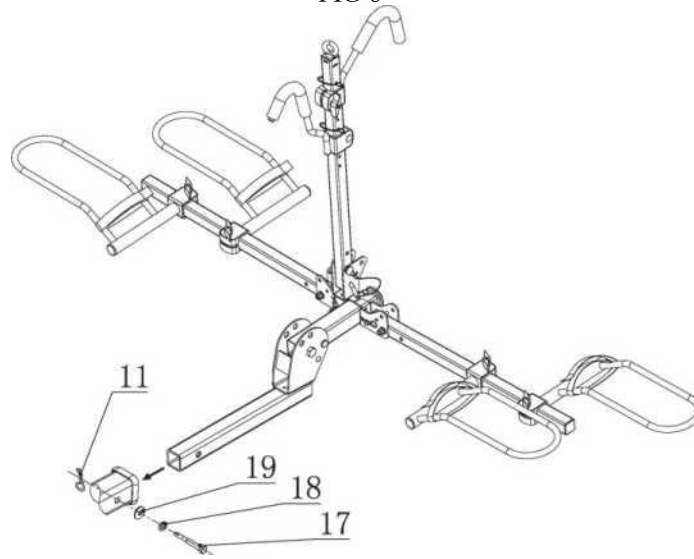
**STEP 5** Install the Long J-hook assembly (#15) and Short J-hook assembly (#16) onto the vertical arm, then tighten the eyebolt (#21) . Secure the J-hooks by using snap pin (#20) . Put the reflector (#22) in the hole of the square tube. See Fig 5

FIG 5



**STEP 6** Insert folding shank into 2" receiver, use Stabilizing Pin, 3/2" Flat Washer, 1/1" Spring Washer and Clip (#17, #18, #19, #11) to fix.

FIG 6



**Mounting the bikes - the cradles and J-hooks are completely adjustable and slide on the arms.**

Using the vertical knobs on the tops of the cradle and the horizontal knobs on the J-hooks, twist until they are loose and the cradle or the J-hook can move on the tube. See Fig 7&8

FIG. 7

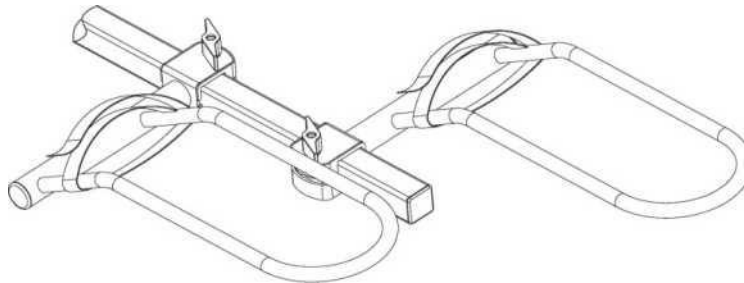


FIG 8

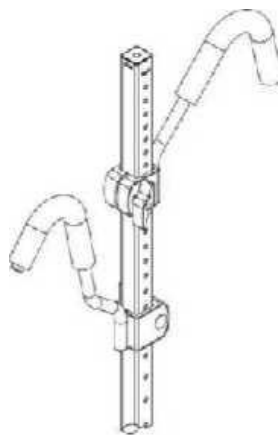


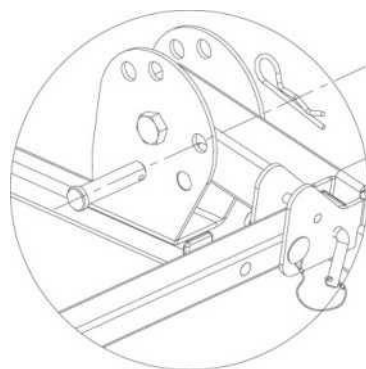
Figure 8

Once adjusted, allow the bike to properly fit into the cradle, load the bike wheels directly into the cradles and ensure they will not roll back and forth. Bring down the J-hook till it fits securely over the middle part of the frame on the bike. Remember to use the strap on the cradles to secure the wheels. Make sure all wheels have a strap securing them.

**Tilt Down Feature**

For access to the rear of vehicle, remove 5/8" pin and allow the rack to tilt downward. Securely grasp the bike rack while the pin is out, do not place bikes on the wheel cradle when operating the tilting down feature.

FIG 9



**Storage Feature**

Spin L Pin at 90 degree and then pull out from the center hole. Fold the main vertical arm to horizontal position (down on the opposite side of folding shank) and re-secure using L pin. Or fold the horizontal arms upward.

FIG 10

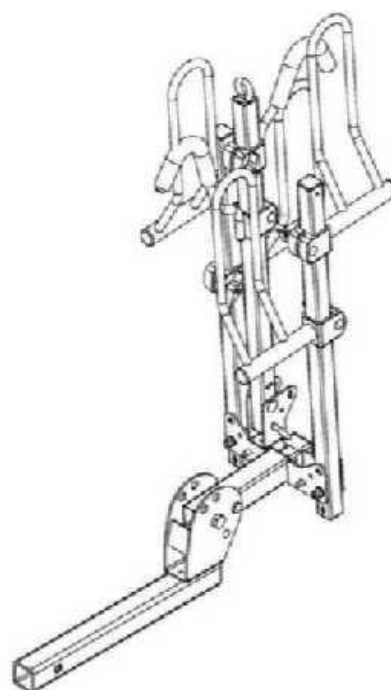
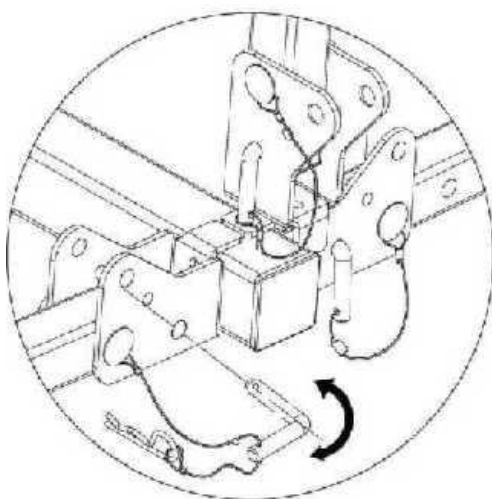
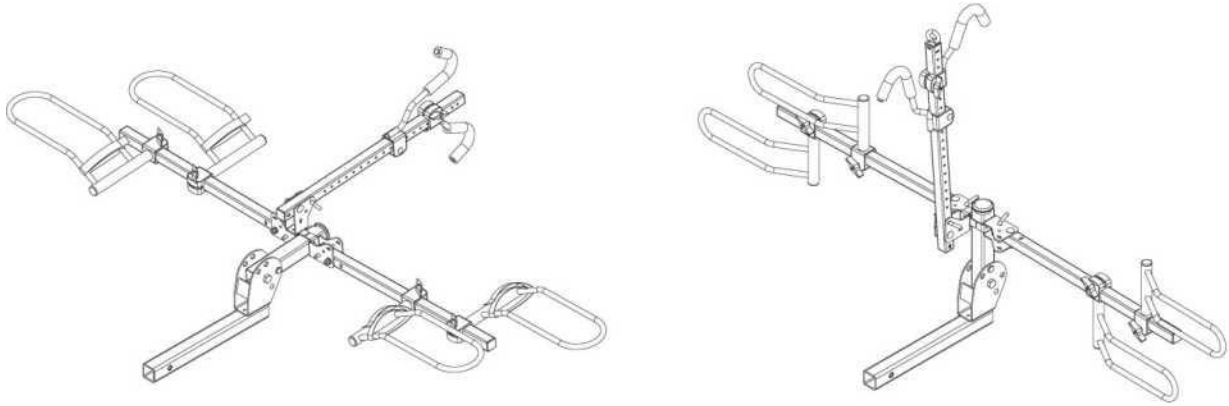


Figure 10

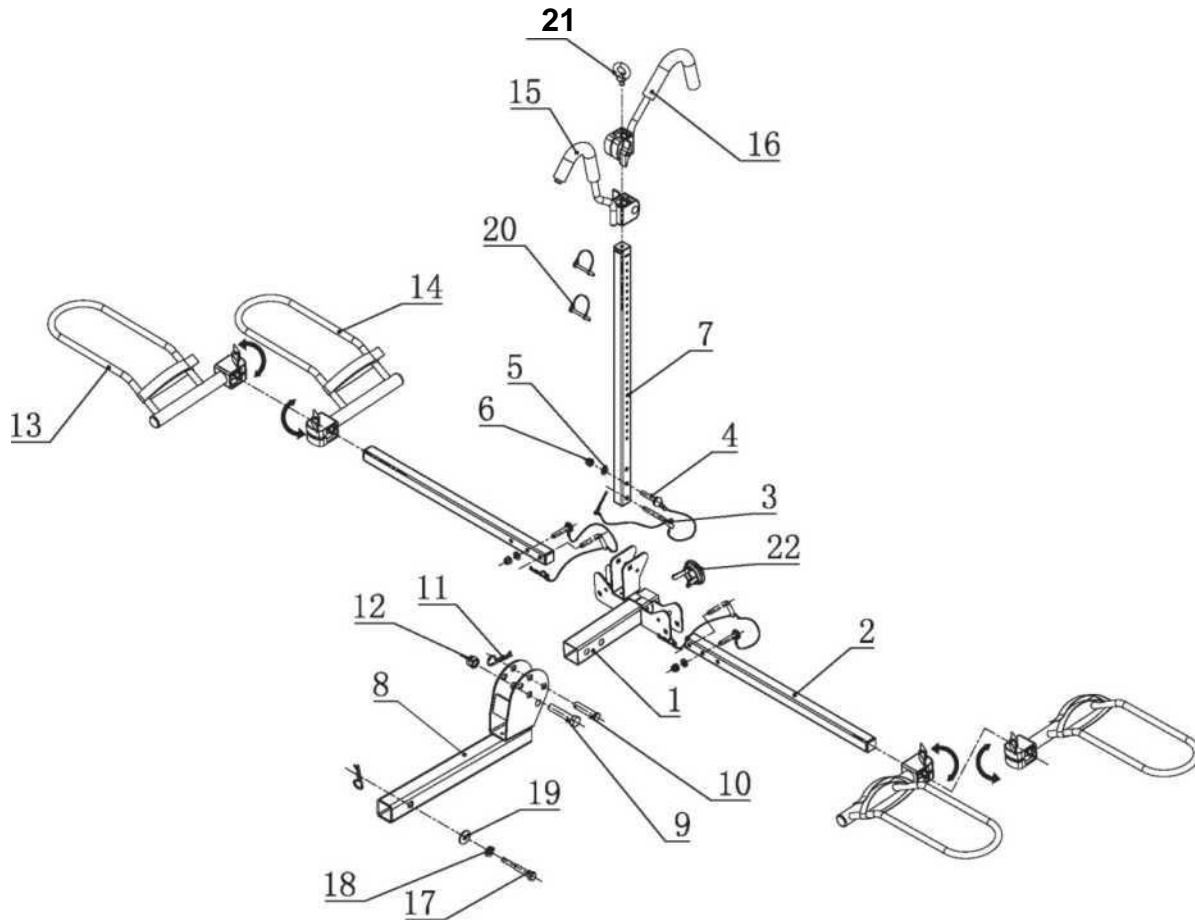
**Folded when not in use Feature**

Fold Vertical arms to the horizontal position, and then fold the folding shank assembly to the vertical position.

FIG 11



## Diagram



### Part List

Part#	Description	Q'ty	Part#	Description	Q'ty
1	Support Base assembly	1	12	M16 LOCKNUT	1
2	Horizontal arm	2	13	Left cradle assembly	2
3	L Pin	3	14	Right cradle assembly	2
4	M10 CARRIAGE BOLT	3	15	Long J-hook assembly	1
5	M10 flat washer	3	16	Short J-hook assembly	1
6	M10 LOCKNUT	3	17	Stabilizing Pin	1
7	Vertical arm	1	18	1/2" Spring Washer	1
8	Folding Shank	1	19	VT Flat Washer	1
9	M16 BOLT	1	20	Snap pin	2
10	5/8 " pin	1	21	Eye bolt	1
11	Clip	2	22	Reflector	1