



Trailer Winch



Read, Understand, Follow and Save These Instructions

Read, understand and follow all of these instructions and warnings (Instructions) before installing and using this product. Install and use this product only as specified in these instructions. Improper installation or use of this product may result in property damage, serious injury, and/or death. Never allow installation or use of this product by anyone without providing them with these instructions. You must read, understand and follow all instructions and warnings for any product(s) to which this product is used in conjunction with or installed. Save these instructions with the product for use as a reference for any future installation and use of the product.

WARNING

Failure to follow these warnings and instructions may result in property damage, serious bodily injury, and/or death.

- Purchaser/owner must ensure that product is installed according to these instructions. Purchaser/owner must not alter or modify the product.
- Operator and bystanders should never position any part of body under or on the path of any portion of this product or the load being supported, or moved.
- Do not allow children to play on or around this product or the load being supported, or moved.
- Do not use winch to move humans.
- Never exceed the maximum rated capacity. Refer to stamped markings on top of winch to obtain rated capacity.
- Capacity is based on direct line pull on third layer of the strap on the drum. Capacity is reduced as strap builds up on the drum.

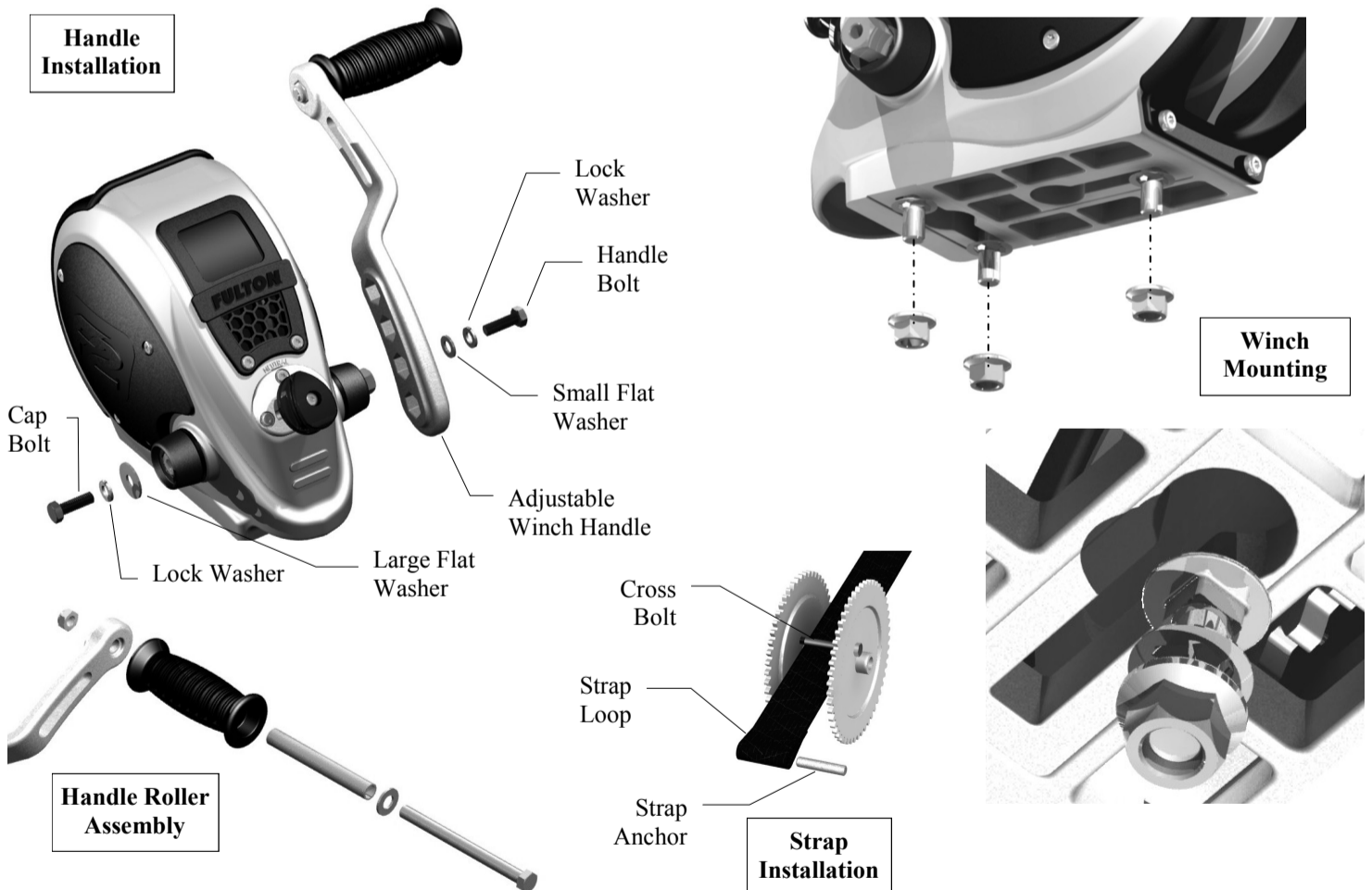
- Never stand along side winch or guide the strap with your hands.
- Never operate with slippery, wet, or oily hands and always maintain a firm grip on the winch handle.
- Do not attempt to stop a winch by grabbing the handle while in motion.
- Always maintain a minimum of three layers of strap on the drum.
- A loud clicking sound from the ratchet must be heard when pulling the load. If properly engaged and loud clicking sound is not heard, do not use and replace ratchet components immediately.
- Never release the crank handle unless the ratchet plunger is fully engaged and the load is supported.
- Winch will not hold the load when load is being let out.
- Winch is designed for manual operation only and the load rating is based on an intermittent duty cycle.

- Excessive force in turning winch handle may indicate overload. Fulton brand winches will require a max of 45 lbs of handle force to pull rated load.
- If you cannot crank the winch with one hand you are potentially overloading the winch.
- Winches are not designed to secure boats to trailers while towing. Boat tie downs must be used for this purpose.
- Periodically check mounting hardware for proper torque and tighten if necessary.
- Do not use cable or rope.
- Always replace bent, broken, or worn parts before using this product.
- On two-speed winches, make sure that the ratchet plunger is properly engaged and holding the load before attempting to change gears.

Installation Instructions

Warning: Failure to follow all installation instructions could result in winch failure.

The mounting surface must be equal to or greater than the footprint of the winch frame. When attaching the trailer winch, use the three (3) supplied 3/8" dia. grade-5 carriage bolts/lock nuts and torque to 28-30 ft-lbs. Check final installation and make sure winch is secure to mounting structure.



Installing Handle Roller Assembly:

Assemble handle assembly as shown and torque locknut to 20-25 ft-lbs., using a 9/16" socket.

Adjustable Handle (6" to 9" and Right or Left Hand Drive):

This handle can be mounted not only in different length configurations, but also in a right or left hand orientation. In order to switch to a right or left hand drive first remove the bolt and washers from each side of the drive shaft. Push the hex shaft 1/2"-3/4" through to the other side. Do not try to remove the shaft completely in order to keep the internal gears and bushings inline. Place the handle bolt and washers on the handle side and torque to 22-25 ft-lbs. Then repeat for the opposite side of the shaft. Do not over torque.

Attaching Winch Strap:

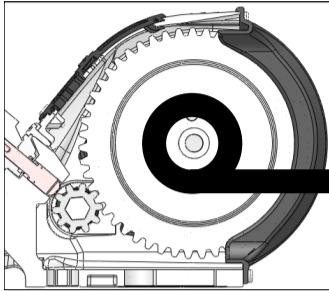
Use strap anchor provided with winch as pictured above. Pass the strap loop under the cross bolt, insert strap anchor in the strap loop, then pull tight. Always maintain a minimum of three complete wraps of strap on the drum.

Prior to Use

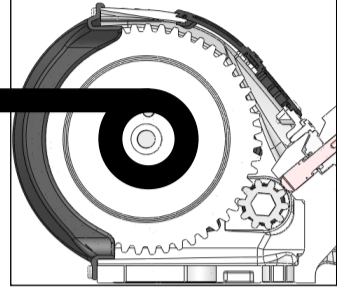
- Inspect strap and replace if damaged.
- Check mounting hardware for proper tightness and re-torque if necessary.
- Gears, ratchet contact points and shaft bushings must be kept lubricated with a thin oil or grease.

Operation

Strap Under Drum



Strap Over Drum



Let Line/Load Out:

Before turning the handle, firmly grip the winch handle and disengage the ratchet plunger or engage it in the reverse direction. You may have to take in a small amount of strap to allow the ratchet plunger to unload. With a firm grip on the winch handle, slowly let out strap. If you must stop before the load is fully out, be sure the ratchet plunger is engaged in the forward or loading position and gradually release the winch handle to be sure the ratchet plunger is holding the load.

Take Line/Load In:

Be sure the ratchet plunger is engaged in the forward or loading position. As you turn the handle, make sure the strap is winding onto the drum properly. If you must stop before the load is fully in, be sure the ratchet plunger is engaged and gradually release the winch handle to be sure the ratchet plunger is holding the load.

Shifting (2-Speed Winches Only):

Make sure the ratchet plunger is properly engaged and holding the load before attempting to change gears. Firmly grasp the crank arm of the F2 2-speed winch where it attaches to the input shaft. Push/pull to shift. In for High-Gear, center for Low-Gear and out for Neutral.

Engaged



Engaged



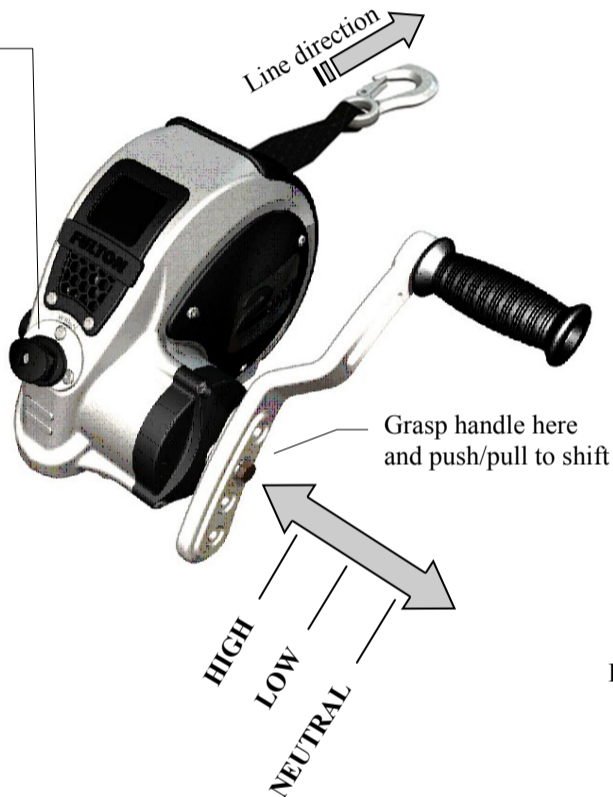
Neutral



Neutral



Ratchet Plunger



Disengaged
Not holding load!



Disen



Maintenance

The F2 winch is designed with precision fit components and corrosion resistant materials to minimize the frequency of maintenance. Occasional cleaning with mild soap and water along with light oil lubrication of contact points will prolong peak performance and appearance.