

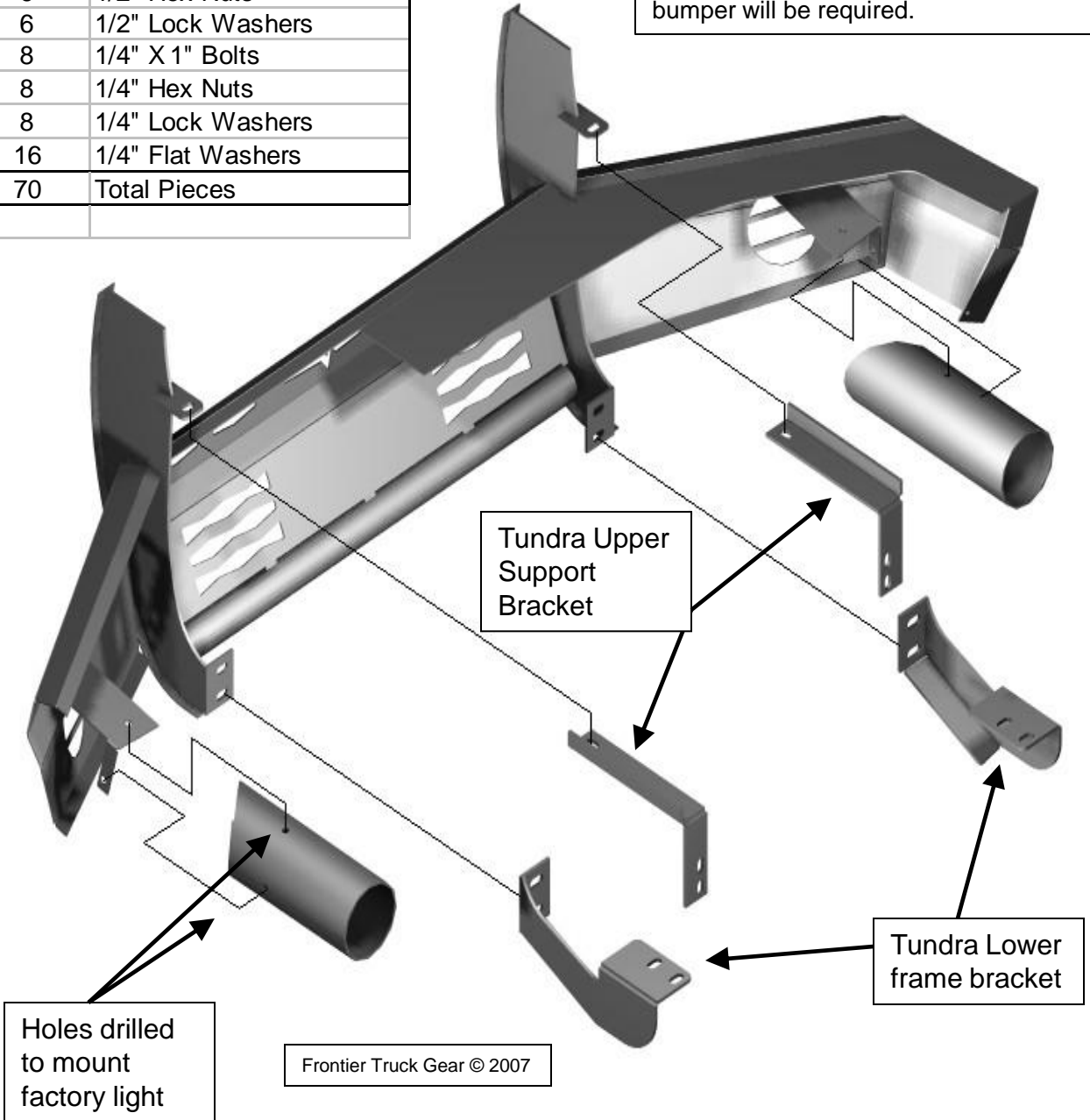
07-13 Toyota Tundra Front Bumper Replacement Part # 300-60-7003 / Xtreme FBR Part # 600-60-7003 Installation Instructions. (NOTE: EXCLUDES LIMITED MODELS) Pg. 1

of 2

Bolt Bag Contents

Quantity	Description
6	1/2" X 1 3/4" Bolts
12	1/2" Flat Washers
6	1/2" Hex Nuts
6	1/2" Lock Washers
8	1/4" X 1" Bolts
8	1/4" Hex Nuts
8	1/4" Lock Washers
16	1/4" Flat Washers
70	Total Pieces

For Limited Models Only: FBR and XFBR can be installed on Limited Models, but in order to complete the installation an additional purchase of a plastic top portion from Toyota for the bumper will be required.





2007 Toyota Tundra (Crew Cab) Front Bumper Replacement Part # 300-60-7003 / Xtreme Front Bumper Replacement Part # 600-60-7003 Installation Instructions.

Page 2 of 2

Step 1: Remove factory Tow Hooks from bottom of frame.

Step 2: Remove factory chrome bumper and bottom splash guard on inner wheel well.

Step 3: Attach lower frame bracket using the factory bolts that held tow hook in place, as shown in diagram. Passenger and driver side.

Step 4: Attach upper support bracket to the top outside frame bolt that holds the factory crash bar to the frame of truck.

Step 5: Mount passenger side fog light first as shown in diagram. Driver side factory light cone will have to be drilled to match passenger side. Note: Light will have to be removed before drilling and mounting cone to Front Bumper Replacement.

Step 6: Raise and mount Front Bumper Replacement by attaching upper support bracket to upright tabs and lower foot to lower frame bracket (See Diagram).

Step 7: Check alignment of Front Bumper Replacement to truck from side to side and tighten bolts.

Step 8: Re-mount bottom wheel well splash guard using factory bolts from bottom of chrome bumper mounts. You will have to drill the plastic on the outer edge to match up with the hole we have pre-punched in the Bumper end cap.

For Limited Models Only: FBR and XFBR can be installed on Limited Models, but in order to complete the installation an additional purchase of a plastic top portion from Toyota for the bumper will be required.