

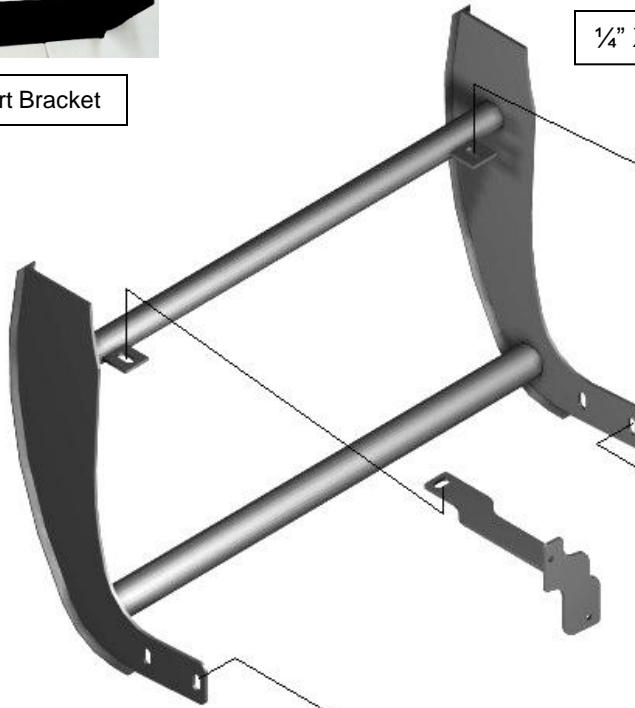
**04-06 Toyota Tundra (Crew Cab) & (01-04) Sequoia Grille Guard Installation Instructions. Part # 200-60-4003**



Sequoia Upper Support Bracket



Tundra Upper Support Bracket



1/4" X 1" bolts



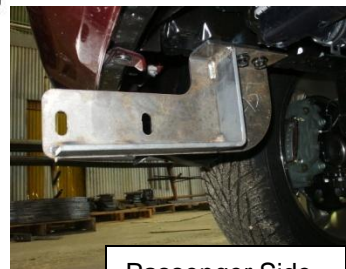
Driver Side

Step 3

Step 2

Frontier Truck Gear © 2007

Tundra & Sequoia Lower frame bracket



Passenger Side

**Bolt Bag Contents**

Quantity	Description
6	1/2" X 1 3/4" Bolts
12	1/2" Flat Washers
6	1/2" Lock Washer
6	1/2" Hex Nuts
4	1/4" X 1" Bolts
4	1/4" Nuts
8	1/4" Flat Washers
4	1/4" Lock Washers
50	Total Pieces

**Step 1:** Remove factory Tow Hooks from bottom of frame.

**Step 2:** Attach lower frame bracket using the factory bolts that held tow hook in place, as shown in diagram. Passenger and driver side.

**Step 3:** Attach upper support bracket (Tundra or Sequoia bracket) to the sheet metal housing around radiator using (4) 1/4" X1" bolts, washers, and nuts. (See diagram)

**Step 4:** Raise and mount Loosely Grille Guard by attaching upper support bracket to Grille Guard crossbar and lower foot to lower frame bracket (See Diagram).

**Step 5:** Check alignment of Grille Guard to truck from side to side and tighten bolts.