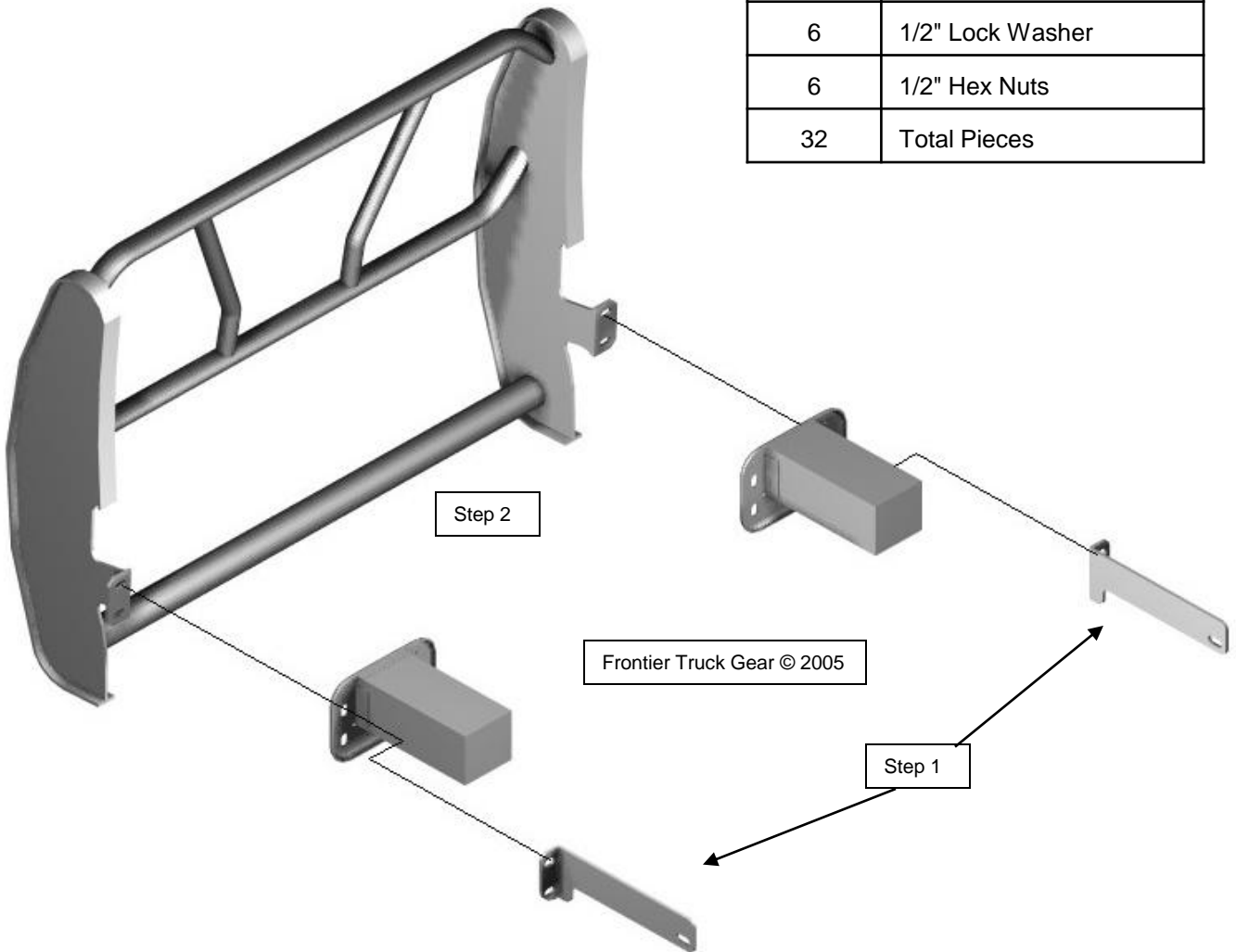


**05-07 Ford F250-F450, Excursion Grille Guard Installation Instructions.
Part # 200-10-5003**

Bolt Bag Contents:	
Quantity	Description
2	Frame support bracket
12	1/2" Flat Washers
6	1/2" X 1-3/4" Bolts
6	1/2" Lock Washer
6	1/2" Hex Nuts
32	Total Pieces



Step 1: Install frame support bracket behind frame horn.

Step 2: Mount grill guard to frame horn using the outside bolt holes. Bolts will go through the grill guard bracket, the frame horn, and the frame support bracket that was installed in step 1.

Step 3: Check alignment of grille guard to truck and tighten all bolts.