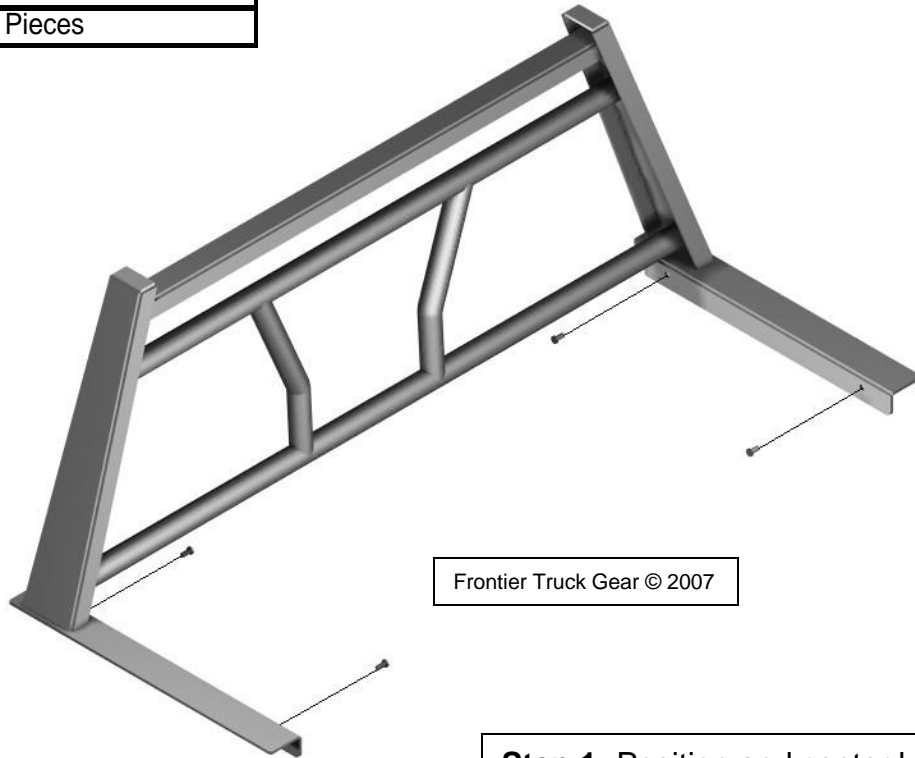


## Headache Rack

Bolt Bag Contents	
Qty	Description
4	1/4" X 1-1/2" Hex Bolt
8	1/4" flat washers
4	1/4" nuts
4	1/4" lock washers
20	Total Pieces



Frontier Truck Gear © 2007

- Step 1:** Position and center headache rack on truck bed allow for space between rack and cab of truck.
- Step 2:** Drill four holes, as shown in picture, through angle plate and through truck bed lip. Be sure to avoid front stake pockets when drilling. Place two 1/4" bolts through the plate and truck bed
- Step 3:** Tighten all bolts.
- Note:** Periodically check bolts to ensure that bolts remain tight.