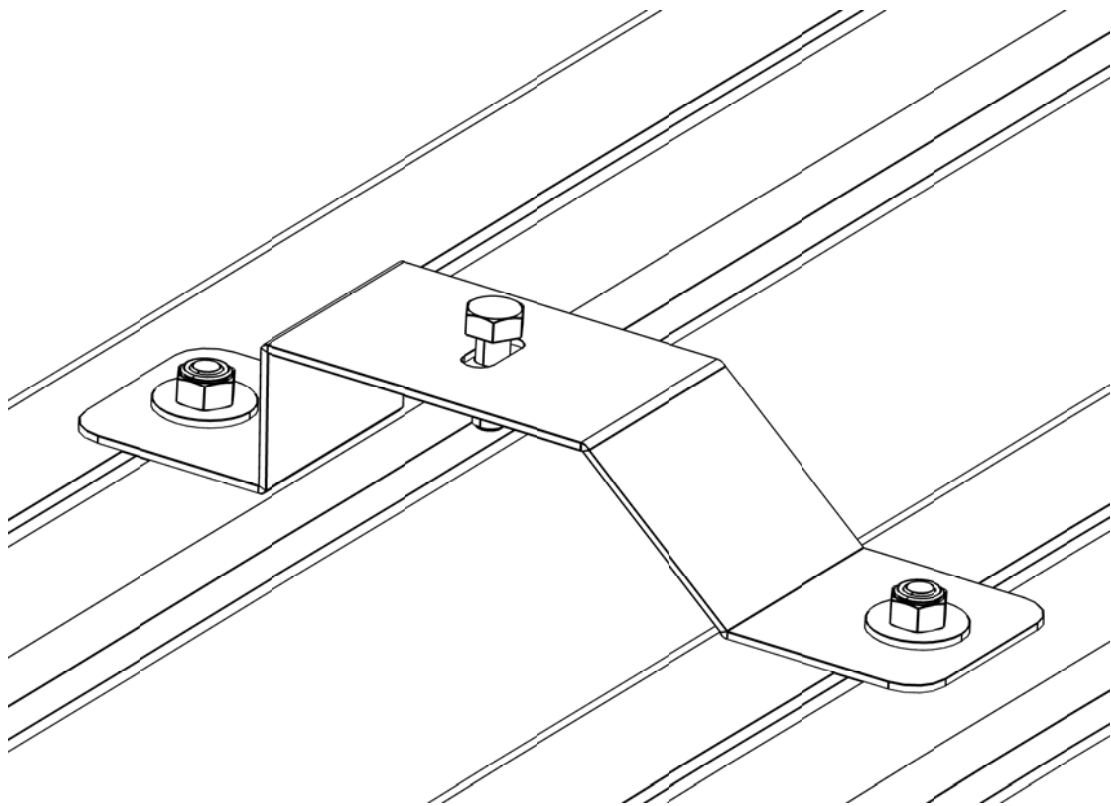




INSTALL TIME: 1 hour



1

GET ORGANIZED

you will need:

- a 13 wrench
- a measuring tape
- a white marker
- a roof top tent
- a Front Runner roof rack

...CONT'D

IMPORTANT WARNING!

IT IS CRITICAL THAT ALL FRONT RUNNER RACKS AND ACCESSORIES BE PROPERLY AND SECURELY ATTACHED TO YOUR VEHICLE. IMPROPER ATTACHMENT COULD RESULT IN AN AUTOMOBILE ACCIDENT, AND COULD CAUSE SERIOUS BODILY INJURY OR DEATH TO YOU OR TO OTHERS. YOU ARE RESPONSIBLE FOR SECURING THE RACKS AND ACCESSORIES TO YOUR CAR, CHECKING THE ATTACHMENTS PRIOR TO USE, AND PERIODICALLY INSPECTING THE PRODUCTS FOR ADJUSTMENT, WEAR, AND DAMAGE. THEREFORE, YOU MUST READ AND UNDERSTAND ALL OF THE INSTRUCTIONS AND CAUTIONS SUPPLIED WITH YOUR FRONT RUNNER PRODUCT PRIOR TO INSTALLATION OR USE. IF YOU DO NOT UNDERSTAND ALL OF THE INSTRUCTIONS AND CAUTIONS, OR IF YOU HAVE NO MECHANICAL EXPERIENCE AND ARE NOT THOROUGHLY FAMILIAR WITH THE INSTALLATION PROCEDURES, YOU SHOULD HAVE THE PRODUCT INSTALLED BY A PROFESSIONAL INSTALLER SUCH AS A QUALIFIED GARAGE OR AUTO BODY SHOP.

1**GET ORGANISED**

...CONT'D

1. Here is what you will receive in you kit...



1. 4 tent mounting brackets
2. 12 M8 washers
3. 12 M8 nylock nuts
4. 8 M8 x 16mm bolts
5. 4 M8 x 25mm bolts

B)

Familiarize yourself with the parts and then step away from the work area and read through these instructions from beginning to end. Grab a cup of coffee and take a moment. A little prep now may save you a lot of time later

2

POSITIONING THE BRACKETS

A)

Depending on the position you are going to mount the tent, and the orientation of the tent opening, will determine where and which slats will be used to attach the tent brackets.

Note: It is preferable to mount the tent brackets bridging two slats although it is possible to mount it on one slat

B)

To ensure your tent is centered. Grab your measuring tape and measure the width between the tracks (aluminum extrusions) mounted to the bottom of your tent. The aluminum tracks are mounted to the brackets which in turn are mounted to the roof rack.

C)

Measure the width of your roof rack. Using your white marker, mark the roof rack slat at the center point of the rack.

D)

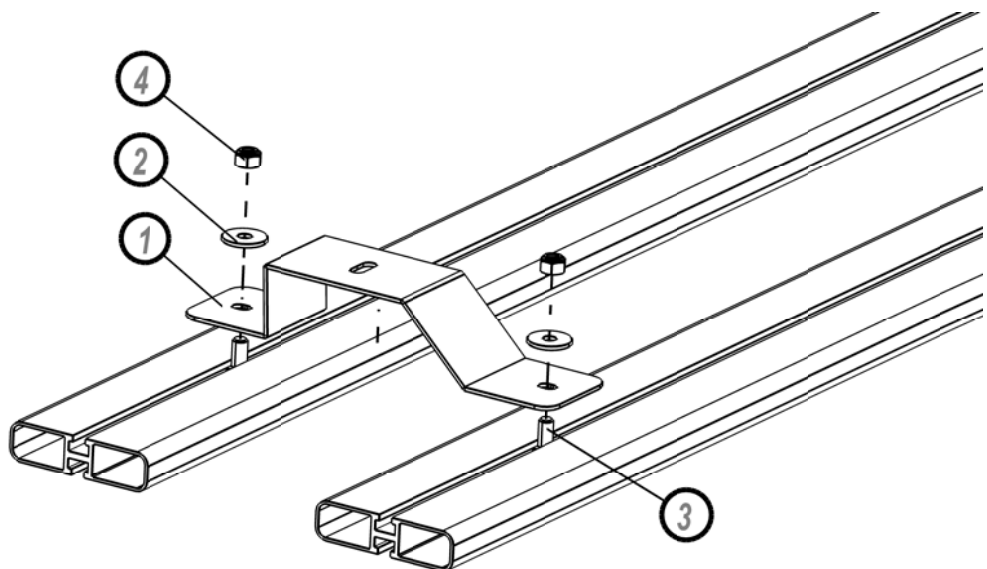
Divide the dimension measured in part 'B' by two. Subtract 25mm from this dimension, as this is the offset from the outside of the track to the mounting center line. Measure this distance from your marked center point from part 'C' either side of the mark, and make two more marks on the slat. This is where you will position the brackets

3

FASTENING THE TENT BRACKETS

A)

You now need to fasten the support brackets onto the markings which you made in step 2.



...CONT'D

3 ...CONT'D

ITEM #	Name	Quantity
1	SUPPORT BRACKET	4
2	M8 WASHER	8
3	M8 X 16MM BOLT	8
4	M8 NYLOCK NUT	8
5	IHBC030_25_FT.PRT	4
6	SLAT.PRT	2

B)

Start by inserting the M8 x 16mm bolts into the T-slot in the slat (See image). Slide the bolts to the position where you have marked the slat. Fasten all four support brackets using your 13 wrench. Hand tighten as you might need to maneuver them slightly at a later stage.

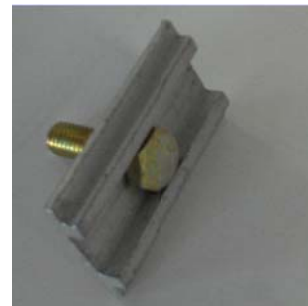


IMPORTANT → Make sure the brackets slope to the outside of the rack

4 SECURING THE TENT

A)

The tent will be supplied with small runners (see image), which slide within the tents track. Ensure that each tent track has two of these. With your friend, lift the tent onto the support brackets. Some tents are supplied with their own fasteners. These are often not suitable to mount using the Front Runner mount bracket, so extra bolts, nuts and washers are supplied for this reason.



B)

Once the tent is in position, lift one corner of the tent at a time and position the bolts from the tent extrusion into the support brackets.

C)

Once you are happy with the tents position use a washer (item 2 on page 2) and a nylock nut (Item 3) to fasten the tent to the support brackets.

D)

Take a walk around the vehicle, to see whether the tent is square and centralized

IMPORTANT → Tighten the bolts that fasten the tent mount brackets to the roof rack slats

5

CHECK FOR OTHER COOL ACCESSORIES

Now's the time to take a trip to your dealer or visit
www.FRONTRUNNER.CO.ZA

6

TAKE A TRIP

A)

After your first adventure, check the tension on all the bolts and screws and re-tighten where needed. You'll find a small amount of settling has happened.

B)

Go on many more adventures. Periodically check the bolts- it's always wise to double check your fasteners once in a while.

→ **Modifying your vehicle involves some risks and may void certain aspects of your vehicle's warranty.**

© 2011 Front Runner Outfitters, Inc.