**READ ME !** 

Thank you for purchasing a Front Runner Rack Handle Bracket.

Before you start, take a moment to familiarize yourself with the Fitting Instructions and the components received.

Refer to Page 2 for a list of all the components, quantities and tools required.

IMPORTANT WARNING! 

IT IS CRITICAL THAT ALL FRONT RUNNER PRODUCTS BE PROPERLY AND SECURELY ASSEMBLED AND ATTACHED TO YOUR VEHICLE. IMPROPER ATTACHMENT COULD RESULT IN AN AUTOMOBILE ACCIDENT, AND COULD CAUSE SERIOUS BODILY INJURY OR DEATH. YOU ARE RESPONSIBLE FOR ASSEMBLING AND SECURING ALL FRONT RUNNER PRODUCTS TO YOUR VEHICLE, CHECKING THE ATTACHMENTS PRIOR TO USE, AND PERIODICALLY INSPECTING THE PRODUCTS FOR ADJUSTMENT, WEAR AND DAMAGE. THEREFORE, YOU MUST READ AND UNDERSTAND ALL OF THE INSTRUCTIONS AND PRECAUTIONS SUPPLIED WITH YOUR FRONT RUNNER PRODUCT PRIOR TO INSTALLATION OR USE. IF YOU DO NOT UNDERSTAND ALL OF THE INSTRUCTIONS AND CAUTIONS, OR IF YOU HAVE NO MECHANICAL EXPERIENCE AND ARE NOT THOROUGHLY FAMILIAR WITH THE INSTALLATION PROCEDURES, YOU SHOULD HAVE THE PRODUCT INSTALLED BY A PROFESSIONAL INSTALLER OR OTHER QUALIFIED PERSONNEL.

NOTE: Front Runner will not be responsible for any damage caused by the failure to install the product according to these instructions.



1 GET ORGANIZED

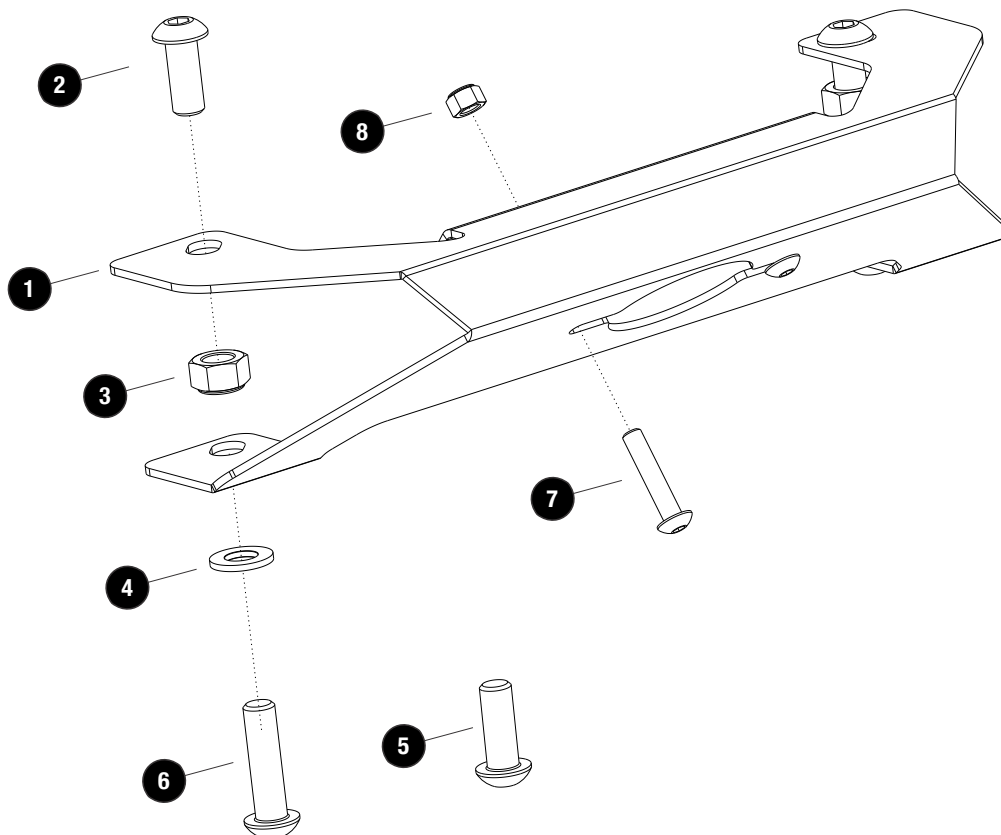
IN THE BOX

1	1 X	Handle Light Rack Bracket
2	2 X	M8 x 16 Button Head Bolt
3	4 X	M8 Nyloc Nut
4	2 X	M8 x 16 x 1.6 Flat Washer
5	2 X	M8 x 20 Button Head Bolt
6	2 X	M8 x 30 Button Head Bolt
7	2 X	M5 x 25 Button Head Bolt (To Fit Light - Sold Separately)
8	2 X	M5 Nyloc Nut (To Fit Light - Sold Separately)

TOOLS NEEDED

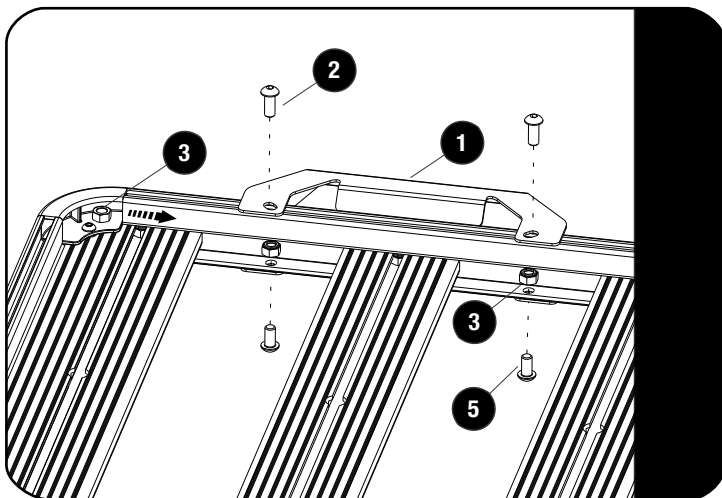


FIGURE 1.1



2**FIT AND SECURE BETWEEN SLATS**

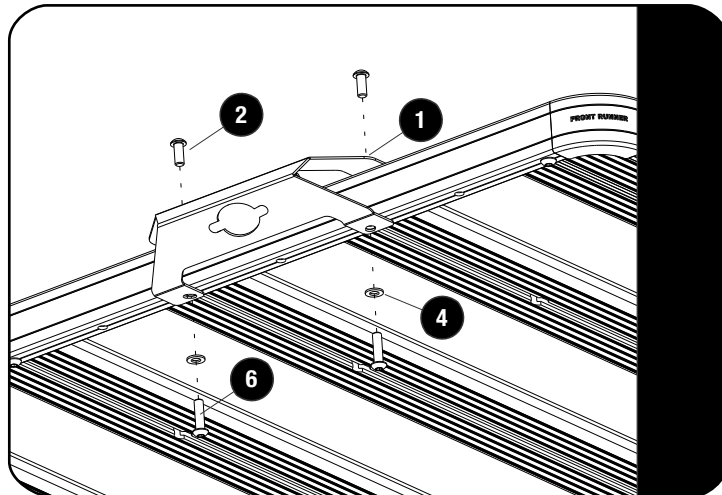
2.1



Secure the Handle Light Rack Bracket (Item 1) to your Roof Rack using M8x16 Button Heads, M8x20 Button Heads, M8x16x1.6 Flat Washers and M8 Nyloc Nuts (Items 2,3 & 5).

3**FIT AND SECURE OVER TWO SLATS**

3.1



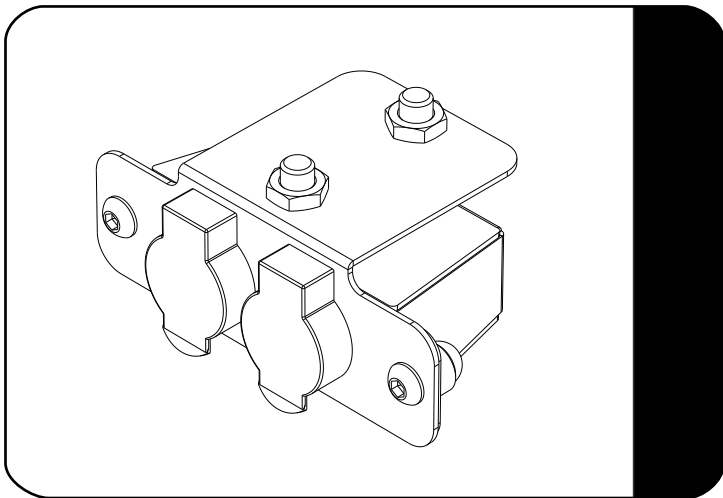
Secure the Handle Light Rack Bracket (Item 1) to your Roof Rack using M8x16 Button Heads, M8x30 Button Heads, M8x16x1.6 Flat Washers and M8 Nyloc Nuts (Items 2,3 & 6).



IF INSTALLING A ROCK LIGHT (LIGH910 SOLD SEPERATALY) SOME ELECTRICAL CONNECTION MAY BE REQUIRED. AS ALL ELECTRICAL EQUIPMENT IS A POTENTIAL HAZARD AND COULD CAUSE SERIOUS INJURY IT IS STRONGLY ADVISED THAT A QUALIFIED ELECTRICIAN HANDLE ALL WIRING AND CONNECTIONS REQUIRED.

4 INSTALL ROOF RACK POWER POINT

4.1



Roof Rack Power point, refer to fitment guide RRAC165 (Sold Separately).

5 FINISH

Congratulations! You did it. Take a step back and admire your work!

6 INSTALL OTHER VEHICLE AND RACK ACCESSORIES