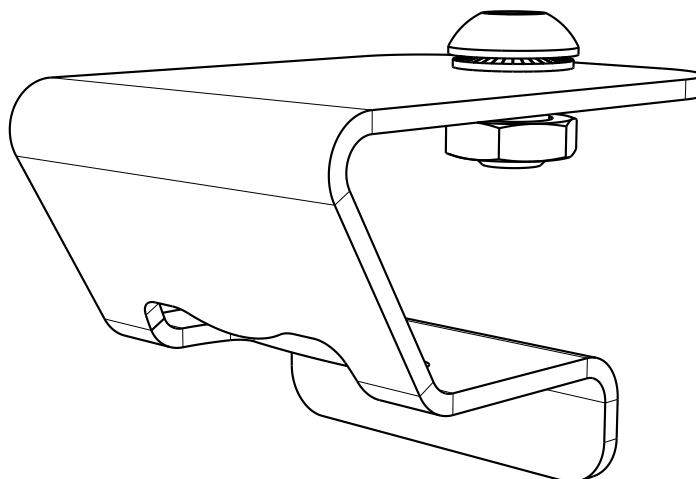


FRONT RUNNER

RACK MOUNTED BOTTLE OPENER

RRAC210



READ ME ! ⚠

Thank you for purchasing a Front Runner Rack Mounted Bottle Opener.
Before you start, take a moment to familiarize yourself with the Fitting Instructions and the included components.
Refer to Page 2 for a list of all the components, quantities and tools required.

IMPORTANT WARNING! ⚠

IT IS CRITICAL THAT ALL FRONT RUNNER PRODUCTS BE PROPERLY AND SECURELY ASSEMBLED AND ATTACHED TO YOUR VEHICLE. IMPROPER ATTACHMENT COULD RESULT IN AN AUTOMOBILE ACCIDENT, AND COULD CAUSE SERIOUS BODILY INJURY OR DEATH. YOU ARE RESPONSIBLE FOR ASSEMBLING AND SECURING ALL FRONT RUNNER PRODUCTS TO YOUR VEHICLE, CHECKING THE ATTACHMENTS PRIOR TO USE, AND PERIODICALLY INSPECTING THE PRODUCTS FOR ADJUSTMENT, WEAR AND DAMAGE. THEREFORE, YOU MUST READ AND UNDERSTAND ALL OF THE INSTRUCTIONS AND PRECAUTIONS SUPPLIED WITH YOUR FRONT RUNNER PRODUCT PRIOR TO INSTALLATION OR USE. IF YOU DO NOT UNDERSTAND ALL OF THE INSTRUCTIONS AND CAUTIONS, OR IF YOU HAVE NO MECHANICAL EXPERIENCE AND ARE NOT THOROUGHLY FAMILIAR WITH THE INSTALLATION PROCEDURES, YOU SHOULD HAVE THE PRODUCT INSTALLED BY A PROFESSIONAL INSTALLER OR OTHER QUALIFIED PERSONNEL.

NOTE: Front Runner will not be responsible for any damage caused by the failure to install the product according to these instructions.



CHECK ONLINE FOR LATEST FITMENT GUIDE

1 GET ORGANIZED

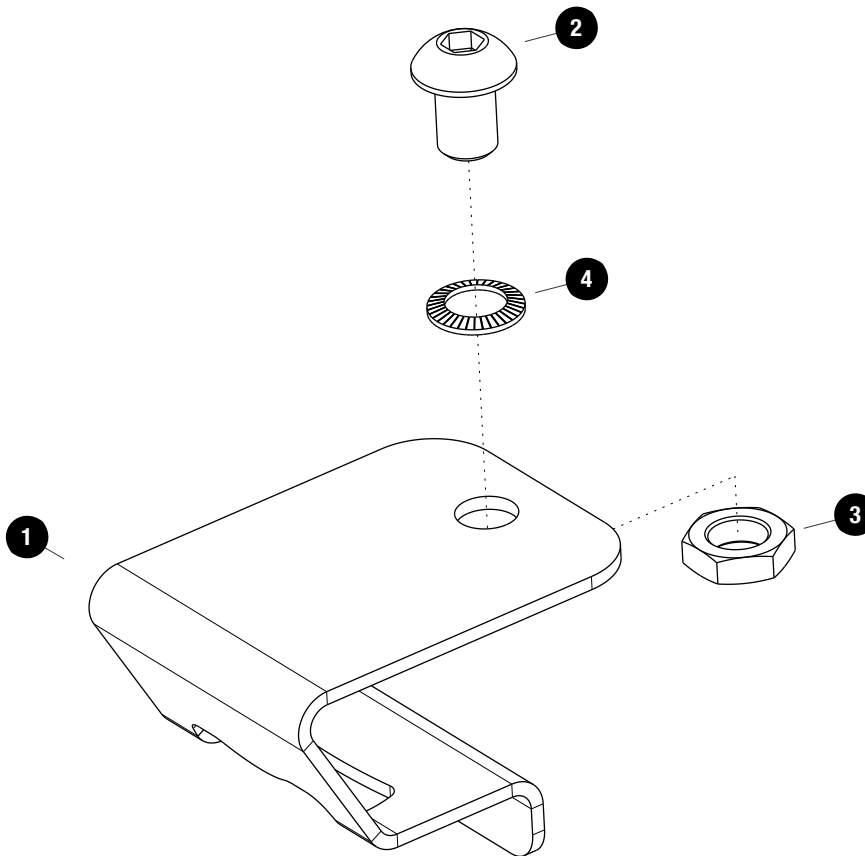
IN THE BOX

1	1 X	Bottle Opener
2	1 X	M8 x 12 Button Head Bolt
3	1 X	M8 Thin Nut
4	1 X	M8 Schnorr Washer

TOOLS NEEDED

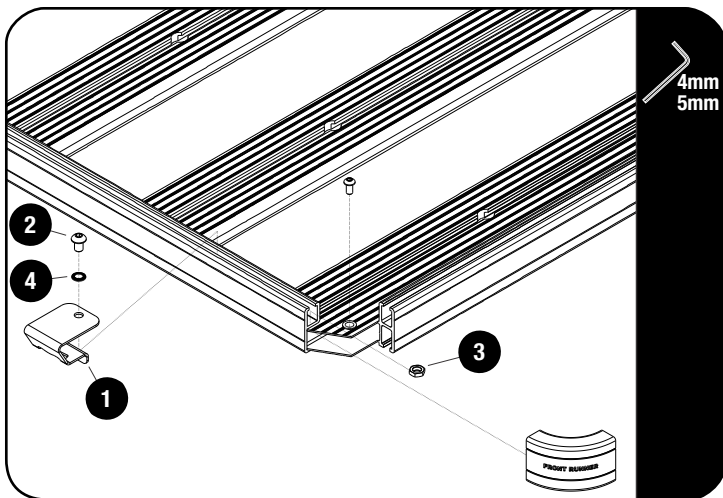


FIGURE 1.1



2**FIT AND SECURE**

2.1

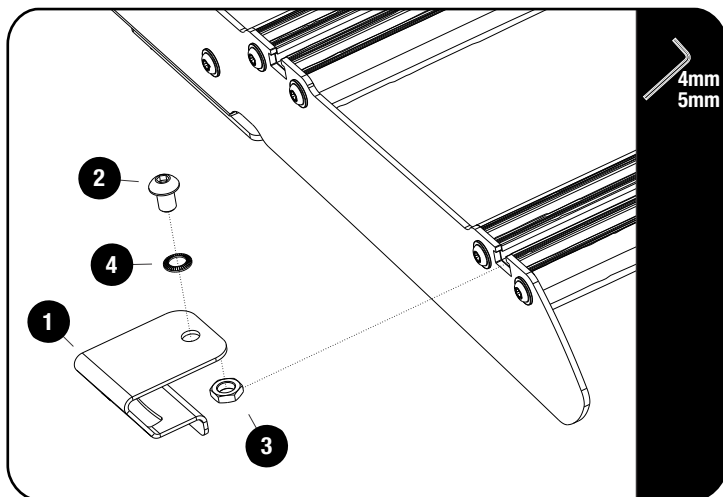
**FIT AND SECURE TO SLIMLINE II RACK**

Loosen and remove the corner from the rack. Preassemble the M8 x 12 Button Head Bolt, M8 Schnorr Washer and M8 Thin Nut (Items 2, 3 & 4) to the Bottle Opener (Item 1) as shown.

Slide the assembly into the open end of the side profile before fully tightening the M8 Thin Nut (Item 3).

Refit the corner to the rack.

2.2

**FIT AND SECURE TO SLIMSPORT RACK**

Preassemble the M8 x 12 Button Head Bolt, M8 Schnorr Washer and M8 Thin Nut (Items 2, 3 & 4) to the Bottle Opener (Item 1) as shown.

Slide the assembly into the open end of the slat before fully tightening the M8 Thin Nut (Item 3).

3**FINISH**

Congratulations! You did it. Take a step back and admire your work!

4**INSTALL OTHER VEHICLE AND RACK ACCESSORIES**