

READ ME ! ⚠

Thank you for purchasing a Front Runner Vision X Unite Series LED Light Bar Mounting Bracket.

Before you start, take a moment to familiarize yourself with the Fitting Instructions and the components received.

Refer to Page 2 for a list of all the components, quantities and tools required.

IMPORTANT WARNING! ⚠

IT IS CRITICAL THAT ALL FRONT RUNNER PRODUCTS BE PROPERLY AND SECURELY ASSEMBLED AND ATTACHED TO YOUR VEHICLE. IMPROPER ATTACHMENT COULD RESULT IN AN AUTOMOBILE ACCIDENT, AND COULD CAUSE SERIOUS BODILY INJURY OR DEATH. YOU ARE RESPONSIBLE FOR ASSEMBLING AND SECURING ALL FRONT RUNNER PRODUCTS TO YOUR VEHICLE, CHECKING THE ATTACHMENTS PRIOR TO USE, AND PERIODICALLY INSPECTING THE PRODUCTS FOR ADJUSTMENT, WEAR AND DAMAGE. THEREFORE, YOU MUST READ AND UNDERSTAND ALL OF THE INSTRUCTIONS AND PRECAUTIONS SUPPLIED WITH YOUR FRONT RUNNER PRODUCT PRIOR TO INSTALLATION OR USE. IF YOU DO NOT UNDERSTAND ALL OF THE INSTRUCTIONS AND CAUTIONS, OR IF YOU HAVE NO MECHANICAL EXPERIENCE AND ARE NOT THOROUGHLY FAMILIAR WITH THE INSTALLATION PROCEDURES, YOU SHOULD HAVE THE PRODUCT INSTALLED BY A PROFESSIONAL INSTALLER OR OTHER QUALIFIED PERSONNEL.

NOTE: Front Runner will not be responsible for any damage caused by the failure to install the product according to these instructions.

Please call us if you have any questions about the installation of this product.

1

GET ORGANIZED

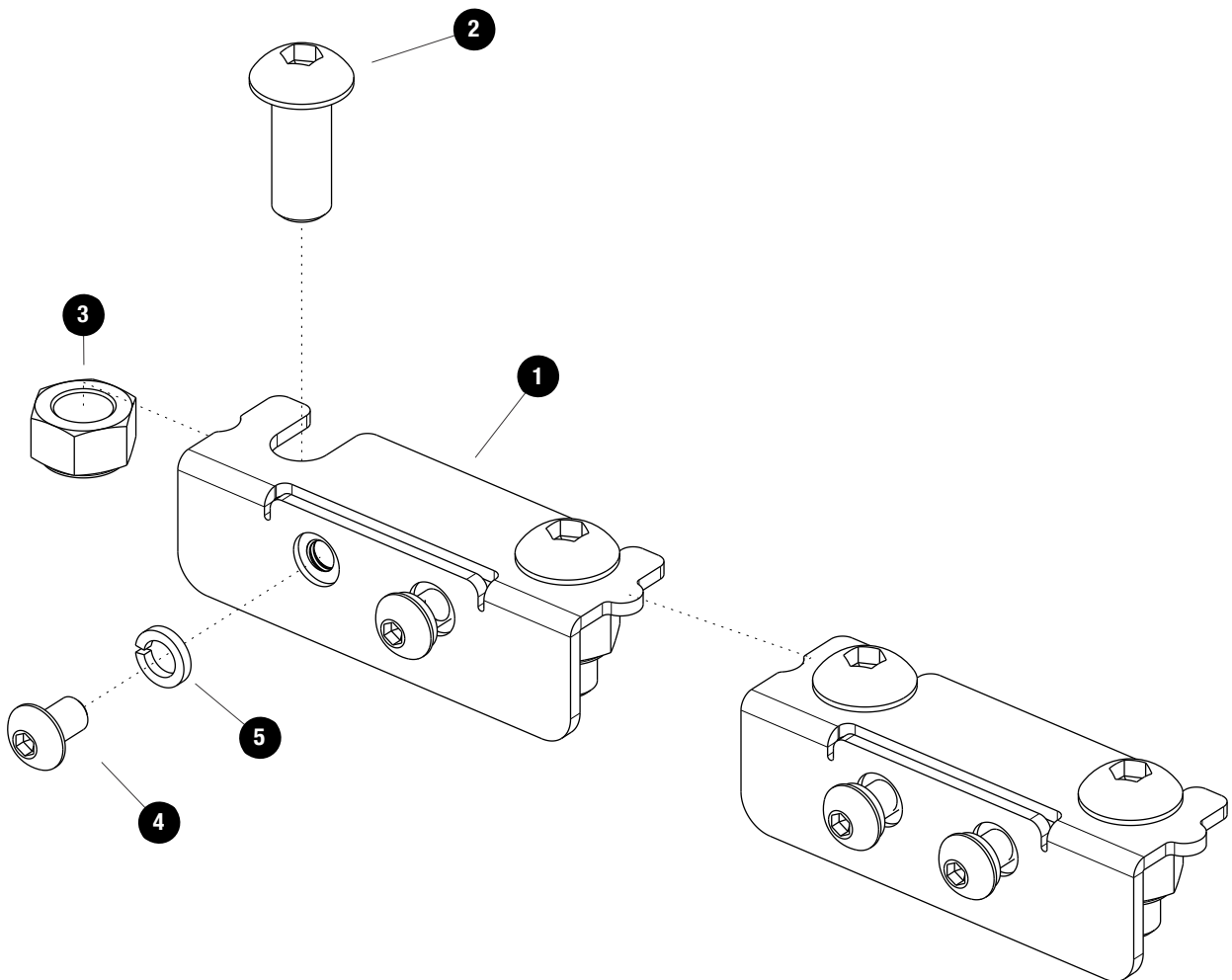
IN THE BOX

1	2 X	Light Mounting Bracket
2	4 X	M8 x 20 Button Head Screw
3	4 X	M8 Nyloc Nut
4	4 X	M5 x 8 Button Head Screw
5	4 X	M5 Spring Washer

TOOLS NEEDED

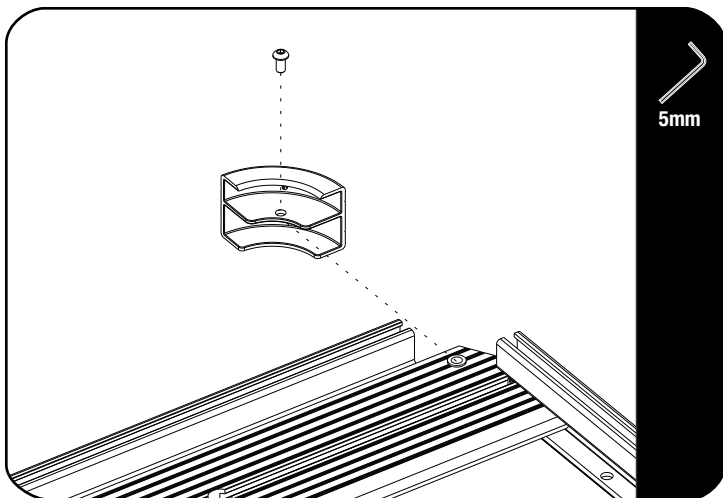



FIGURE 1.1



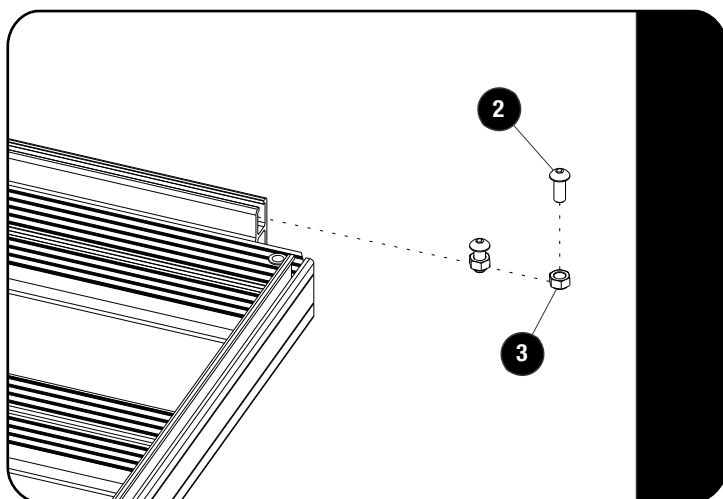
2**FIT AND SECURE**


2.1



 Determine where on the rack side profile you would like to mount your Vision X Unite LED Module (sold separately). Remove the corner closest to that position.

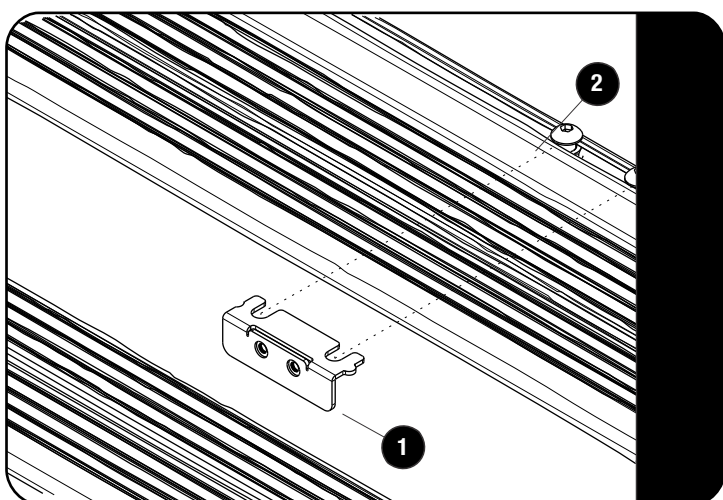
2.2



 Loosely assemble two M8 x 20 Button Head Screws (Item 2) with two M8 Nyloc Nuts (Item 3).

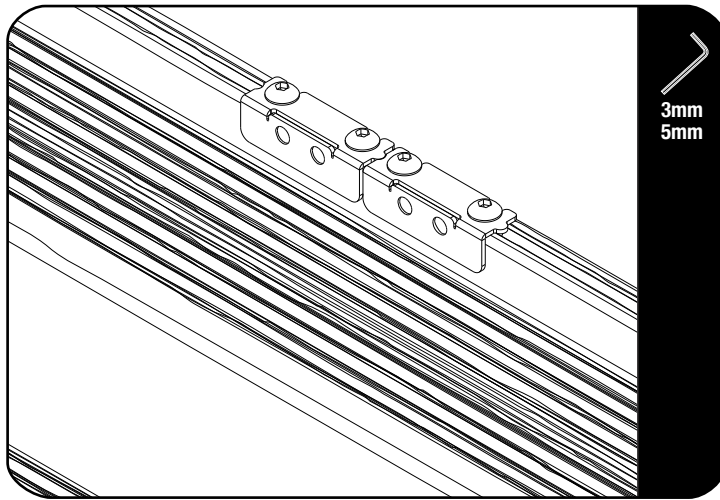
Slide the two assemblies into the side profile T-slot. Position the assemblies in the approximate position you want to mount your Vision X Unite LED Module.

2.3



 Slide the Light Mounting Bracket (Item 1) under the M8 x 20 Button Head Screws (Item 2) and over the side profile T-slot.

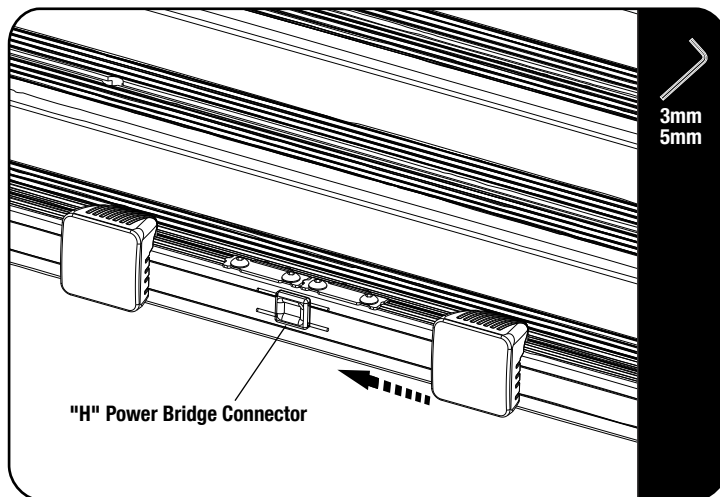
2.4



Fit your Vision X Unite light brackets to the combined slot T-slot as shown. If multiple lights will be used, the brackets must be positioned male to female as shown to allow a proper connection with the connector.

Position the light assembly as required and fully tighten the M8 x 20 Button Head Screws (Item 2).

2.5



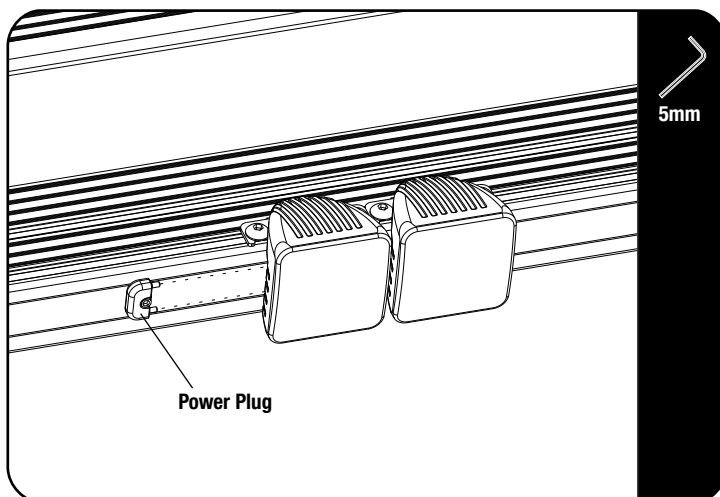
Multiple Module Units



Assemble your Vision X Unite LED Module over the Light Mounting Bracket (Item 1) using two M5 x 8 Button Head Screws and two M5 Spring Washers (Items 4 & 5).

Insert an "H" Power Bridge Connector (included with module) into the first module. Slide the additional light assembly adjacent to the previous fitted light assembly, inserting the connector pins into the additional module.

2.6



Repeat 2.5 for additional module fitments.

Refit the rack corner.

Connect your Power Cable to the one side of your module cluster and insert the Power Plug on the other side.

3

FINISH

Congratulations! You did it. Take a step back and admire your work!

4

INSTALL OTHER VEHICLE AND RACK ACCESSORIES

Now's the time to visit your favorite Front Runner Dealer in person or online.