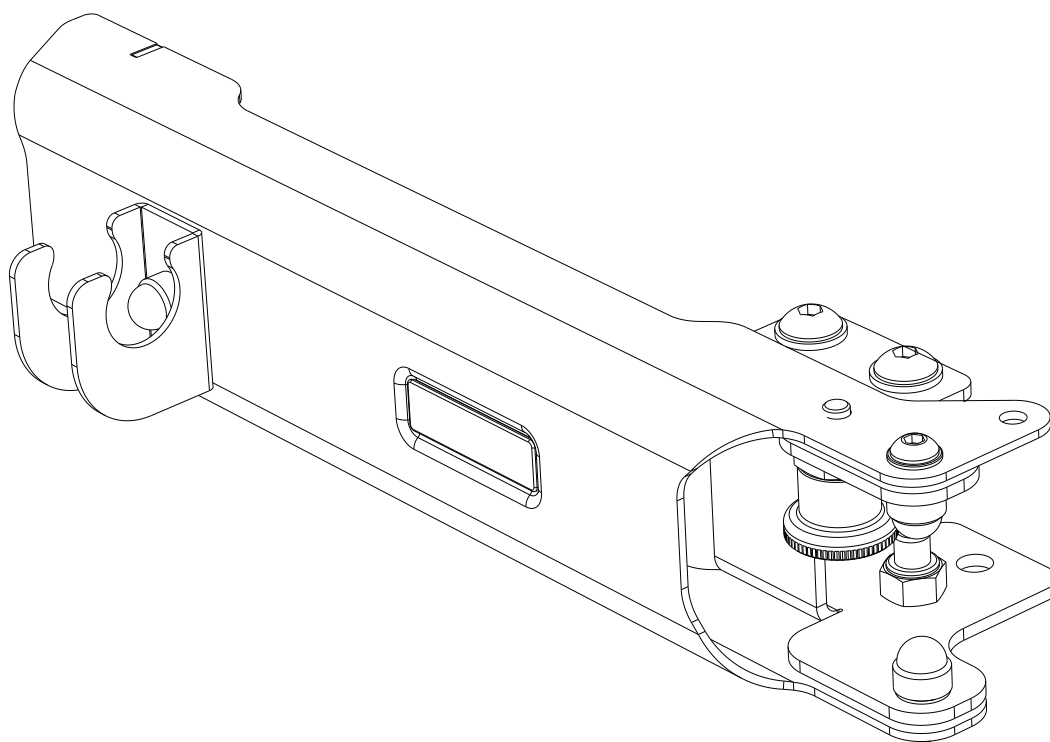


FRONT RUNNER

TAP EXTENSION BRACKET

RRAC170



READ ME ! ⚠

Thank you for purchasing a Front Runner Tap Extension Bracket.

Before you start, take a moment to familiarize yourself with the Fitting Instructions and the components received.

Refer to Page 2 for a list of all the components, quantities and tools required.

IMPORTANT WARNING! ⚠

IT IS CRITICAL THAT ALL FRONT RUNNER PRODUCTS BE PROPERLY AND SECURELY ASSEMBLED AND ATTACHED TO YOUR VEHICLE. IMPROPER ATTACHMENT COULD RESULT IN AN AUTOMOBILE ACCIDENT, AND COULD CAUSE SERIOUS BODILY INJURY OR DEATH. YOU ARE RESPONSIBLE FOR ASSEMBLING AND SECURING ALL FRONT RUNNER PRODUCTS TO YOUR VEHICLE, CHECKING THE ATTACHMENTS PRIOR TO USE, AND PERIODICALLY INSPECTING THE PRODUCTS FOR ADJUSTMENT, WEAR AND DAMAGE. THEREFORE, YOU MUST READ AND UNDERSTAND ALL OF THE INSTRUCTIONS AND PRECAUTIONS SUPPLIED WITH YOUR FRONT RUNNER PRODUCT PRIOR TO INSTALLATION OR USE. IF YOU DO NOT UNDERSTAND ALL OF THE INSTRUCTIONS AND CAUTIONS, OR IF YOU HAVE NO MECHANICAL EXPERIENCE AND ARE NOT THOROUGHLY FAMILIAR WITH THE INSTALLATION PROCEDURES, YOU SHOULD HAVE THE PRODUCT INSTALLED BY A PROFESSIONAL INSTALLER OR OTHER QUALIFIED PERSONNEL.

NOTE: Front Runner will not be responsible for any damage caused by the failure to install the product according to these instructions.

1

GET ORGANIZED

IN THE BOX

1	1 X	Tap Extension Bracket
2	1 X	Shower Holder
3	3 X	M8 Nyloc Nut
4	3 X	M8 x 16 x 1.6SS Flat Washer
5	3 X	M8 x 20 Button Head Bolt
6	1 X	M6 x 16 Button Head Bolt
7	1 X	M6 Nylon Washer
8	1 X	M6 x 12 x 1SS Flat Washer
9	1 X	M6 Nyloc Nut
10	1 X	M6 Nut Cap

TOOLS NEEDED

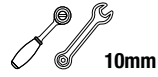
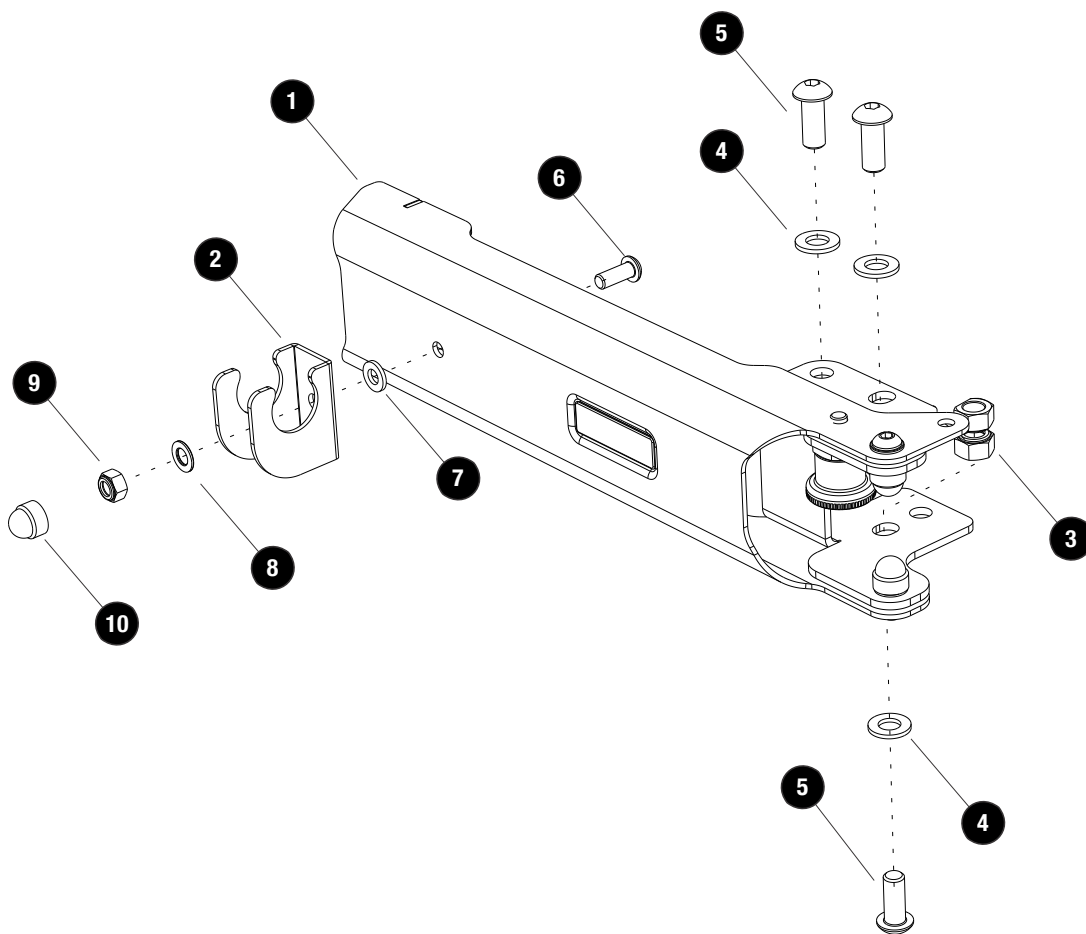


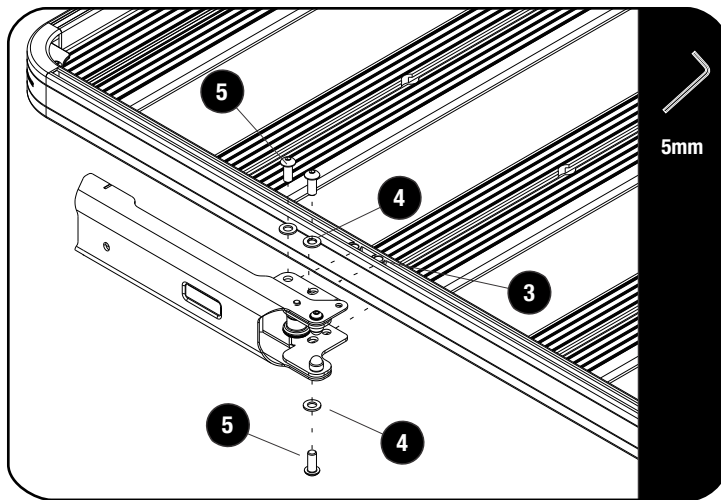
FIGURE 1.1



2

FIT AND SECURE

2.1



Slide two M8 Nyloc Nuts (Item 3) into the top of the side profile, using to open at the back of the corner.

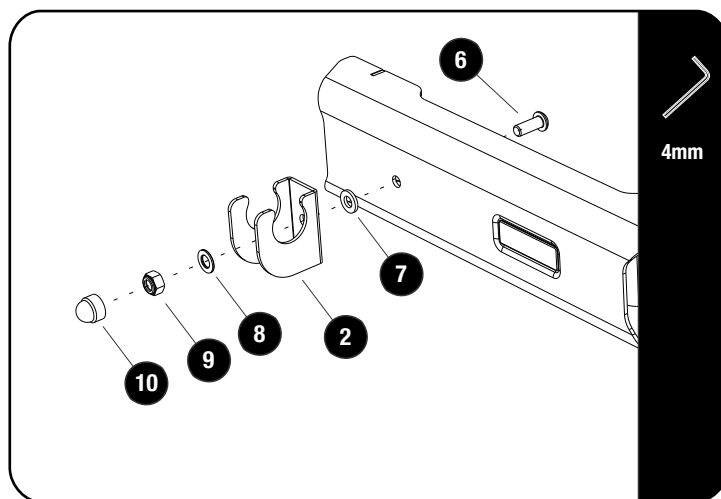
Loosen the M8 Button Head Bolt holding the slat to the side profile.

Slide the Tap Extension Bracket (Item 1) over the side profile as shown.

Secure the Bracket to the bottom of the side profile using the M8 Button Head Bolt removed earlier and one M8 x 16 x 1.6SS Flat Washer (Item 4).

Use M8 x 20 Button Head Bolts and M8 x 16 x 1.6 Flat Washers (Items 4 & 5) to secure the Tap Extension Bracket to the top of the side profile as shown.

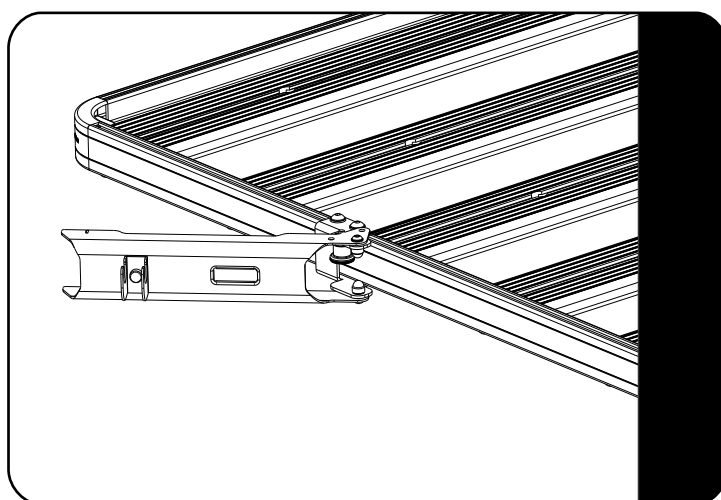
2.2



Secure the Shower Holder (Item 2) to the Tap Extension Bracket using a M6 x 16 Button Head Bolt, M6 Nylon Washer, M6 x 12 x 1SS Flat Washer and M6 Nyloc Nut (Items 6, 7, 8 & 9) as shown.

Finish off by place a M6 Nut Cap (Item 10) on the Nyloc Nut.

2.3



To open the Tap Extension Bracket, pull the knob of the index pin.

Swing the Bracket out 90 degrees to locate the index pin into the open position.

Swing the Bracket back to the store position when traveling.

For fitment of tap and pipe work refer to WTAN054 (sold separate)

3

FINISH

Congratulations! You did it. Take a step back and admire your work!

4

INSTALL OTHER VEHICLE AND RACK ACCESSORIES