

READ ME !

Thank you for purchasing a Front Runner Antenna Mount.

Before you start, take a moment to familiarize yourself with the Fitting Instructions and the components received.

Refer to Page 2 for a list of all the components, quantities and tools required.

IMPORTANT WARNING!

IT IS CRITICAL THAT ALL FRONT RUNNER PRODUCTS BE PROPERLY AND SECURELY ASSEMBLED AND ATTACHED TO YOUR VEHICLE. IMPROPER ATTACHMENT COULD RESULT IN AN AUTOMOBILE ACCIDENT, AND COULD CAUSE SERIOUS BODILY INJURY OR DEATH. YOU ARE RESPONSIBLE FOR ASSEMBLING AND SECURING ALL FRONT RUNNER PRODUCTS TO YOUR VEHICLE, CHECKING THE ATTACHMENTS PRIOR TO USE, AND PERIODICALLY INSPECTING THE PRODUCTS FOR ADJUSTMENT, WEAR AND DAMAGE. THEREFORE, YOU MUST READ AND UNDERSTAND ALL OF THE INSTRUCTIONS AND PRECAUTIONS SUPPLIED WITH YOUR FRONT RUNNER PRODUCT PRIOR TO INSTALLATION OR USE. IF YOU DO NOT UNDERSTAND ALL OF THE INSTRUCTIONS AND CAUTIONS, OR IF YOU HAVE NO MECHANICAL EXPERIENCE AND ARE NOT THOROUGHLY FAMILIAR WITH THE INSTALLATION PROCEDURES, YOU SHOULD HAVE THE PRODUCT INSTALLED BY A PROFESSIONAL INSTALLER OR OTHER QUALIFIED PERSONNEL.

NOTE: Front Runner will not be responsible for any damage caused by the failure to install the product according to these instructions.

1

GET ORGANIZED

IN THE BOX

1	1 X	Antenna Mount Plate
2	2 X	M8 Large Flat Washer
3	1 X	Bush
4	1 X	Antenna Mount Assembly
5	2 X	M5 Flat Washer
6	2 X	M5 Nyloc Nut
7	2 X	M5 Nut Cap
8	4 X	M8 Flat Washer
9	1 X	M8 x 20 Button Head Screw
10	4 X	M8 Nyloc Nut
11	1 X	M8 x 16 Hex Head Bolt
12	1 X	Mount Stiffener
13	1 X	M8 Nut Cap
14	2 X	M8 x 25 Button Head Screw

TOOLS NEEDED

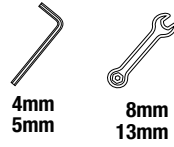
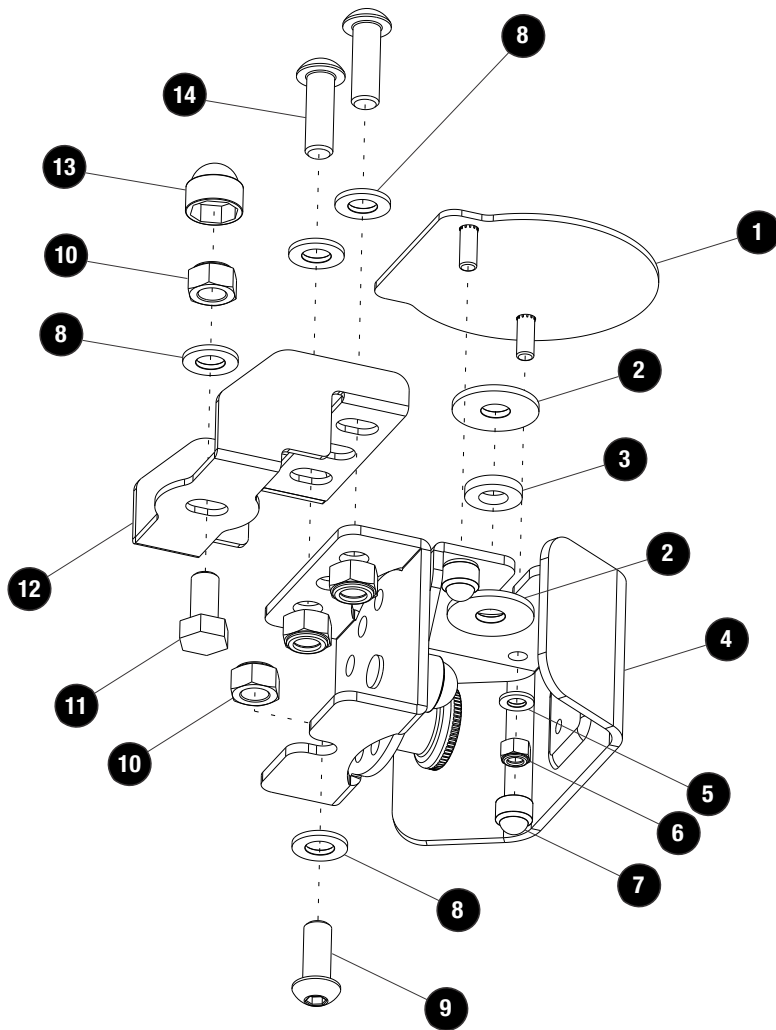


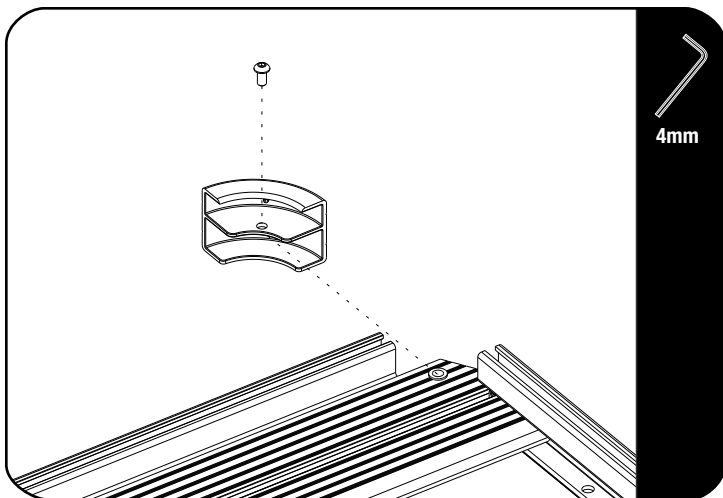
FIGURE 1.1



2

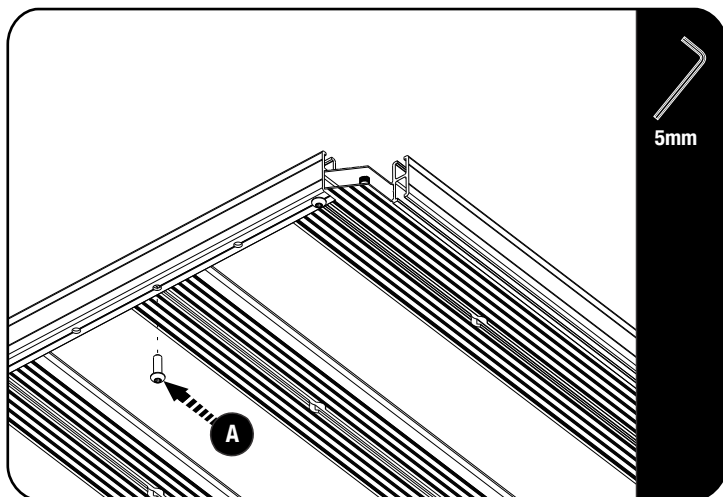
FIT AND SECURE

2.1



⌛ Determine where on the Side Profile you would like to mount your antenna. Remove the corner closest to that position.

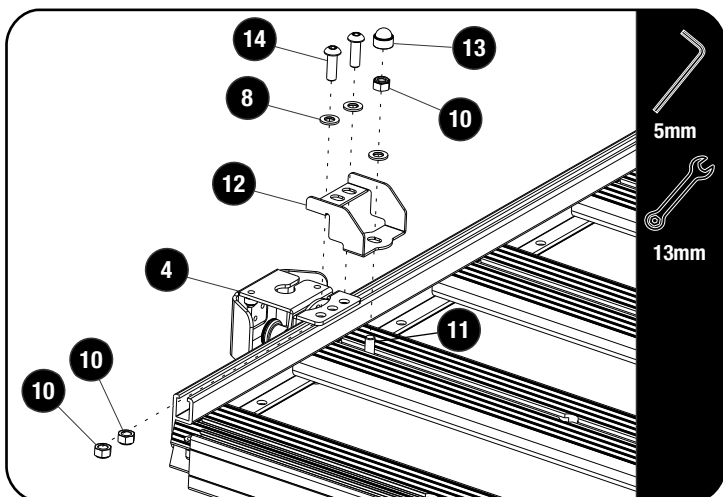
2.2



⌛ Use the Slat closest to the position your Antenna Mount will be secured too.

A Remove the bottom Button Head Screw of the Side Profile.

2.3



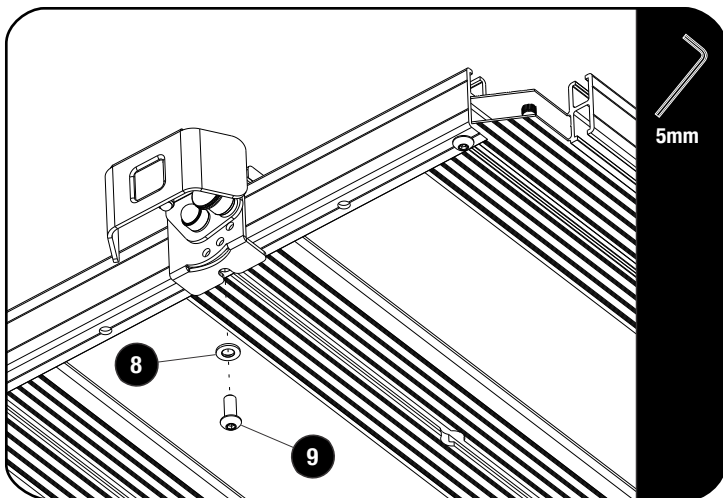
⌛ Slide two M8 Nyloc Nuts (Item 10) into the Side Profile.

Slide the M8 x 16 Hex Head Bolt (Item 11) into the Slat.

Place the Antenna Mount Assembly (Item 4) over the Side Profile and the Mount Stiffener (Item 12) as shown. Loosely secure the Antenna Mount Assembly and the Mount Stiffener at the top using two M8 x 25 Button Head Bolts, M8 Nyloc Nut, three M8 x 16 x 1.6SS Flat Washers (Items 14, 10 & 8).

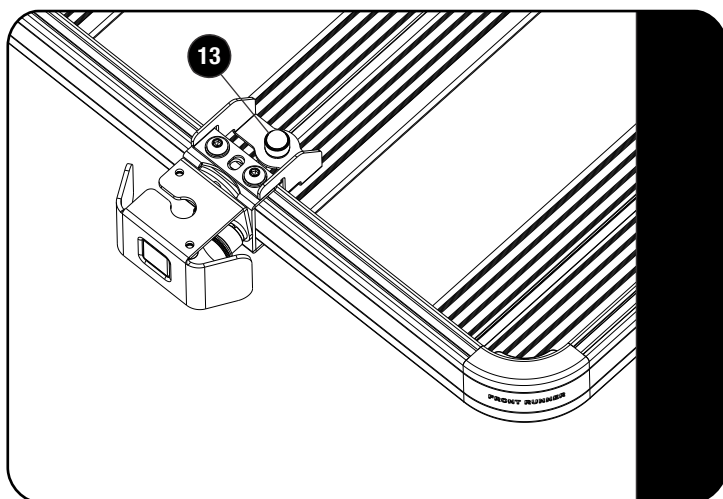
2**FIT AND SECURE**

2.4



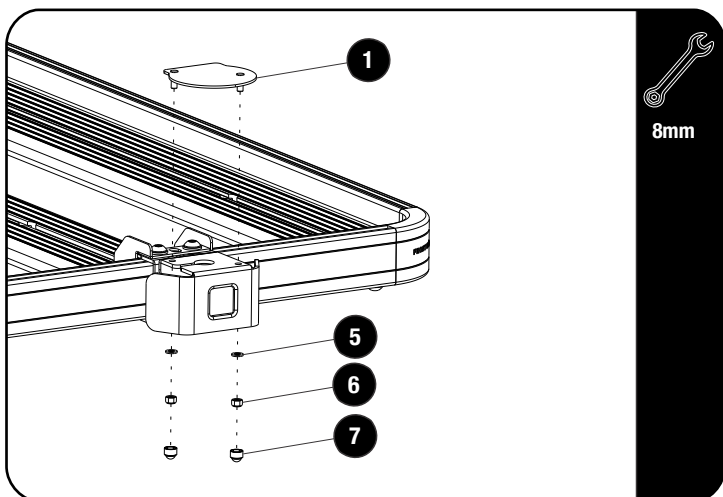
Align the bottom slot in the Antenna Mount with the bottom hole in the Side Profile. Using a M8 x 20 Button Head Bolt and M8 x 16 x 1.6SS Flat Washer (Item 9 & 8), secure the Antenna Mount to the Side Profile.

2.5



Fully tighten all the bolts and refit the corner. Finish off by placing a M8 Nut Cap (Item 13) on the M8 Nyloc Nut.

2.6

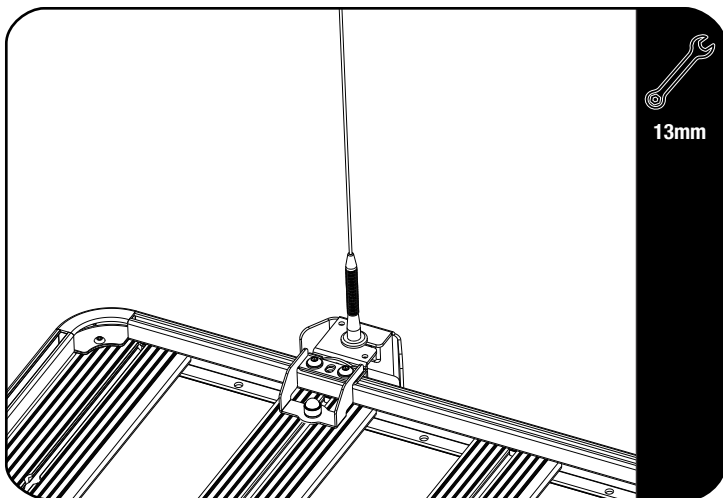


To mount an antenna with a magnetic base, secure the Antenna Mount Plate (Item 1) to the already secured Antenna Mount using two M5 Flat Washers and two M5 Nyloc Nuts (Item 5&6). Finish off by placing two M5 Nut Caps (Item 7) on the M5 Nyloc Nuts.

2

FIT AND SECURE

2.7



Secure your Antenna to the Antenna Mount.

3

FINISH

Congratulations! You did it. Take a step back and admire your work!

4

INSTALL OTHER VEHICLE AND RACK ACCESSORIES