**READ ME !** 

Thank you for purchasing a Front Runner Rotopax Rack Mounting Plate.

Before you start, take a moment to familiarize yourself with the Fitting Instructions and the components received.

Refer to Page 2 for a list of all the components, quantities and tools required.

IMPORTANT WARNING! 

IT IS CRITICAL THAT ALL FRONT RUNNER PRODUCTS BE PROPERLY AND SECURELY ASSEMBLED AND ATTACHED TO YOUR VEHICLE. IMPROPER ATTACHMENT COULD RESULT IN AN AUTOMOBILE ACCIDENT, AND COULD CAUSE SERIOUS BODILY INJURY OR DEATH. YOU ARE RESPONSIBLE FOR ASSEMBLING AND SECURING ALL FRONT RUNNER PRODUCTS TO YOUR VEHICLE, CHECKING THE ATTACHMENTS PRIOR TO USE, AND PERIODICALLY INSPECTING THE PRODUCTS FOR ADJUSTMENT, WEAR AND DAMAGE. THEREFORE, YOU MUST READ AND UNDERSTAND ALL OF THE INSTRUCTIONS AND PRECAUTIONS SUPPLIED WITH YOUR FRONT RUNNER PRODUCT PRIOR TO INSTALLATION OR USE. IF YOU DO NOT UNDERSTAND ALL OF THE INSTRUCTIONS AND CAUTIONS, OR IF YOU HAVE NO MECHANICAL EXPERIENCE AND ARE NOT THOROUGHLY FAMILIAR WITH THE INSTALLATION PROCEDURES, YOU SHOULD HAVE THE PRODUCT INSTALLED BY A PROFESSIONAL INSTALLER OR OTHER QUALIFIED PERSONNEL.

NOTE: Front Runner will not be responsible for any damage caused by the failure to install the product according to these instructions.

Please call us if you have any questions about the installation of this product.

1

GET ORGANIZED

IN THE BOX

1	1 X	Rotopax Mounting Plate
2	4 X	M5 x 12 Button Head
3	8 X	M5 Flat Washer
4	6 X	M8 Nut Cap
5	6 X	M8 Nyloc Nut
6	6 X	M8 Flat Washer
7	6 X	M8 x 16 Hex Bolt
8	4 X	M5 Nyloc Nut
9	4 X	M5 Nut Cap

TOOLS NEEDED

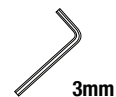
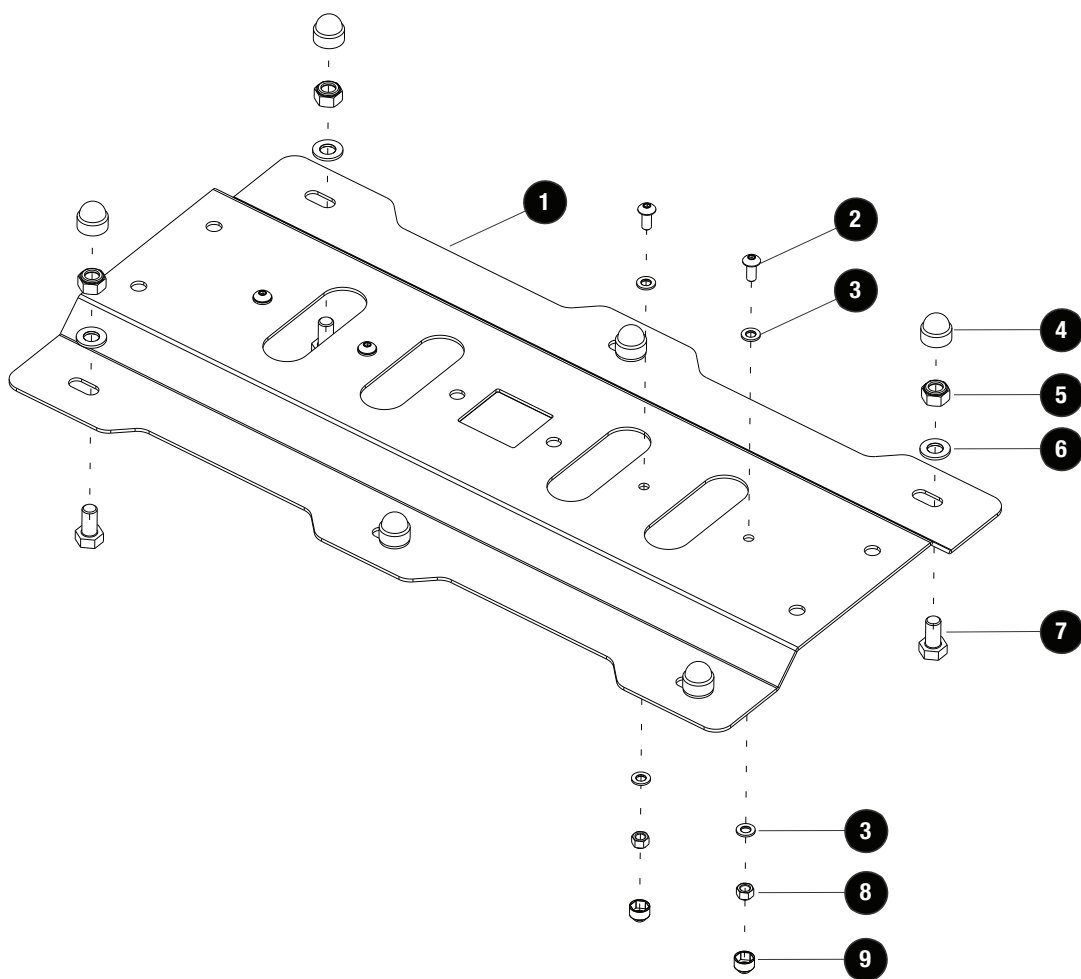


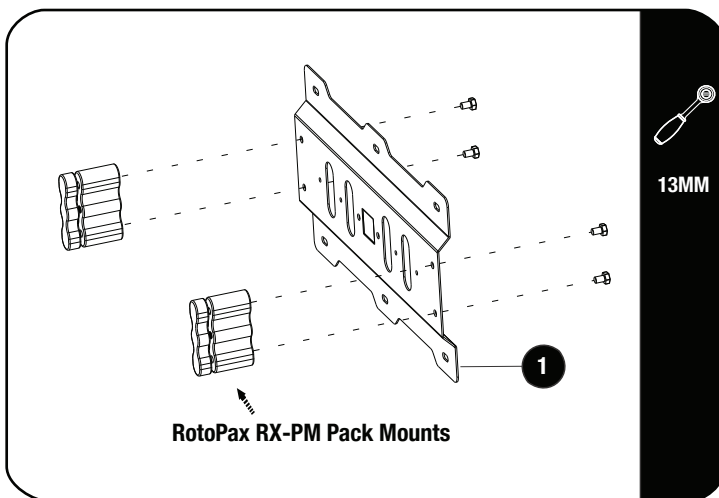
FIGURE 1.1



2

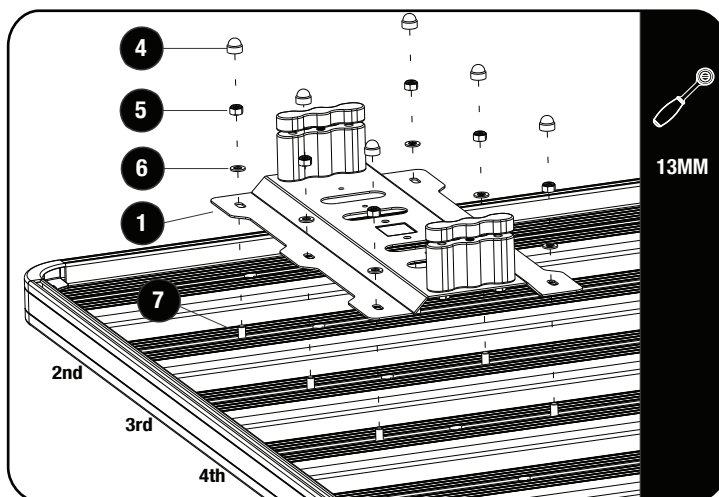
FIT AND SECURE ROTOPAX RX_PM RACK MOUNT

2.1



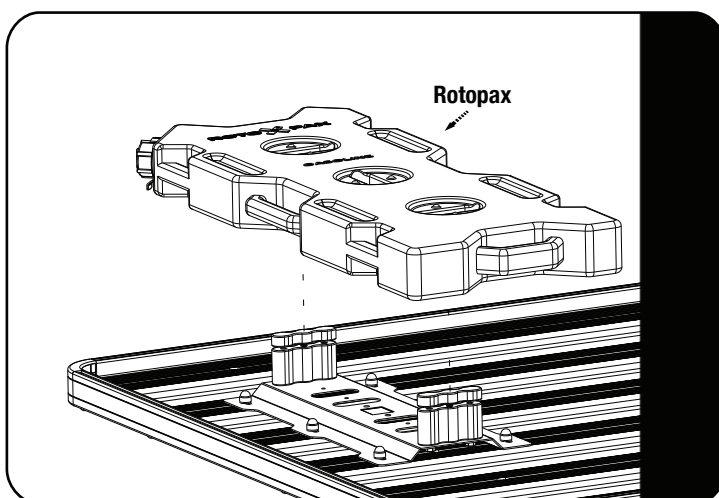
Fit two RotoPax RX-PM Pack Mounts to the Rotopax Mounting Plate (item 1). Fasteners are supplied with the RotoPax RX-PM Pack Mounts.

2.2



Slide two M8x16 Hex Bolts (item 7) into each of the 2nd, 3rd and 4th slats t-slot. Place the Rotopax Mounting Plate (Item 1) over the bolts. Move the Mounting Plate into the desired position by using the Rotopax tank before securing it with M8 Nyloc Nut and M8 Flat Washer (Item 5 & 6). Finish it off by placing an M8 nut cap (Item 4) over each M8 Nyloc Nuts (Item 5).

2.3

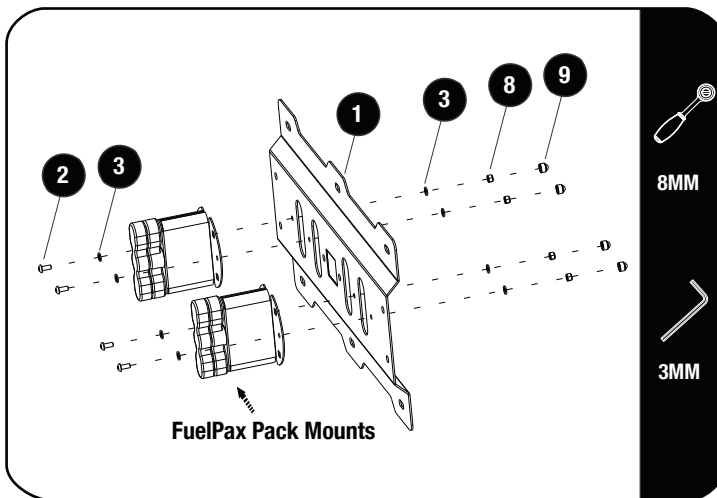


Place the Rotopax tank over the RotoPax RX-PM Pack mounts and tighten.

3

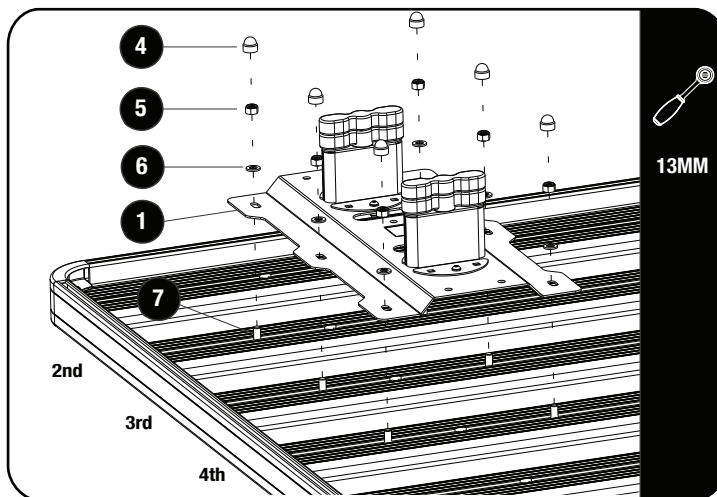
FIT AND SECURE FUELPAX RACK MOUNT

3.1



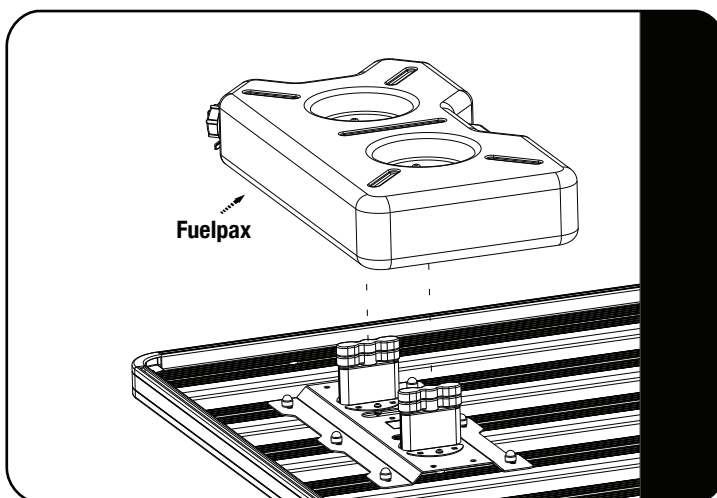
Fit two FuelPax Mounts to the Rotopax Mounting Plate (Item 1) using four M5 x 12 Button head, eight M5 Flat Washers and four M5 Nyloc Nuts (Item 2, 3 and 8). Finish it off by placing an M5 Nut Cap (Item 9) over each M5 Nyloc Nut (Item 8).

3.2



Slide two M8x16 Hex Bolts (Item 7) into each of the 2nd, 3rd and 4th slats t-slot. Place the Rotopax Mounting Plate (Item 1) over the bolts. Move the Mounting Plate into the desired position by using the Fuelpax tank before securing it with M8 Nyloc Nut and M8 Flat Washer (Item 5 & 6). Finish it off by placing an M8 Nut Cap (Item 4) over each M8 Nyloc Nuts (item 5).

3.3



Place the Fuelpax tank over the FuelPax Mounts and tighten.

3

FINISH

Congratulations! You did it. Take a step back and admire your work!

4

INSTALL OTHER VEHICLE AND RACK ACCESSORIES

Now's the time to visit your favorite Front Runner Dealer in person or online.