**READ ME !** 

Thank you for purchasing a Front Runner Quick Release Storage Box Mount.

Before you start, take a moment to familiarize yourself with the Fitting Instructions and the components received.

Refer to Page 2 for a list of all the components, quantities and tools required.

**IMPORTANT WARNING!** 

IT IS CRITICAL THAT ALL FRONT RUNNER PRODUCTS BE PROPERLY AND SECURELY ASSEMBLED AND ATTACHED TO YOUR VEHICLE. IMPROPER ATTACHMENT COULD RESULT IN AN AUTOMOBILE ACCIDENT, AND COULD CAUSE SERIOUS BODILY INJURY OR DEATH. YOU ARE RESPONSIBLE FOR ASSEMBLING AND SECURING ALL FRONT RUNNER PRODUCTS TO YOUR VEHICLE, CHECKING THE ATTACHMENTS PRIOR TO USE, AND PERIODICALLY INSPECTING THE PRODUCTS FOR ADJUSTMENT, WEAR AND DAMAGE. THEREFORE, YOU MUST READ AND UNDERSTAND ALL OF THE INSTRUCTIONS AND PRECAUTIONS SUPPLIED WITH YOUR FRONT RUNNER PRODUCT PRIOR TO INSTALLATION OR USE. IF YOU DO NOT UNDERSTAND ALL OF THE INSTRUCTIONS AND CAUTIONS, OR IF YOU HAVE NO MECHANICAL EXPERIENCE AND ARE NOT THOROUGHLY FAMILIAR WITH THE INSTALLATION PROCEDURES, YOU SHOULD HAVE THE PRODUCT INSTALLED BY A PROFESSIONAL INSTALLER OR OTHER QUALIFIED PERSONNEL.

**NOTE:** Front Runner will not be responsible for any damage caused by the failure to install the product according to these instructions.

# 1

## GET ORGANIZED

### IN THE BOX

1	1 X	Strap Assembly
2	1 X	M8 Eye Nut
3	1 X	M8 Nylon Washer
4	1 X	M8 X 16 Hex Bolt
5	2 X	M8 X 12 Button Head Bolt
6	2 X	M8 Schnorr Washer
7	1 X	Lock Catch Mount
8	2 X	M8 Half Hex Nut
9	1 X	T-Slot Rubber 1200mm
10	1 X	Adjustable Rack Cargo Chocks (RRAC129 SOLD SEPERATELY)

### TOOLS NEEDED

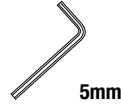
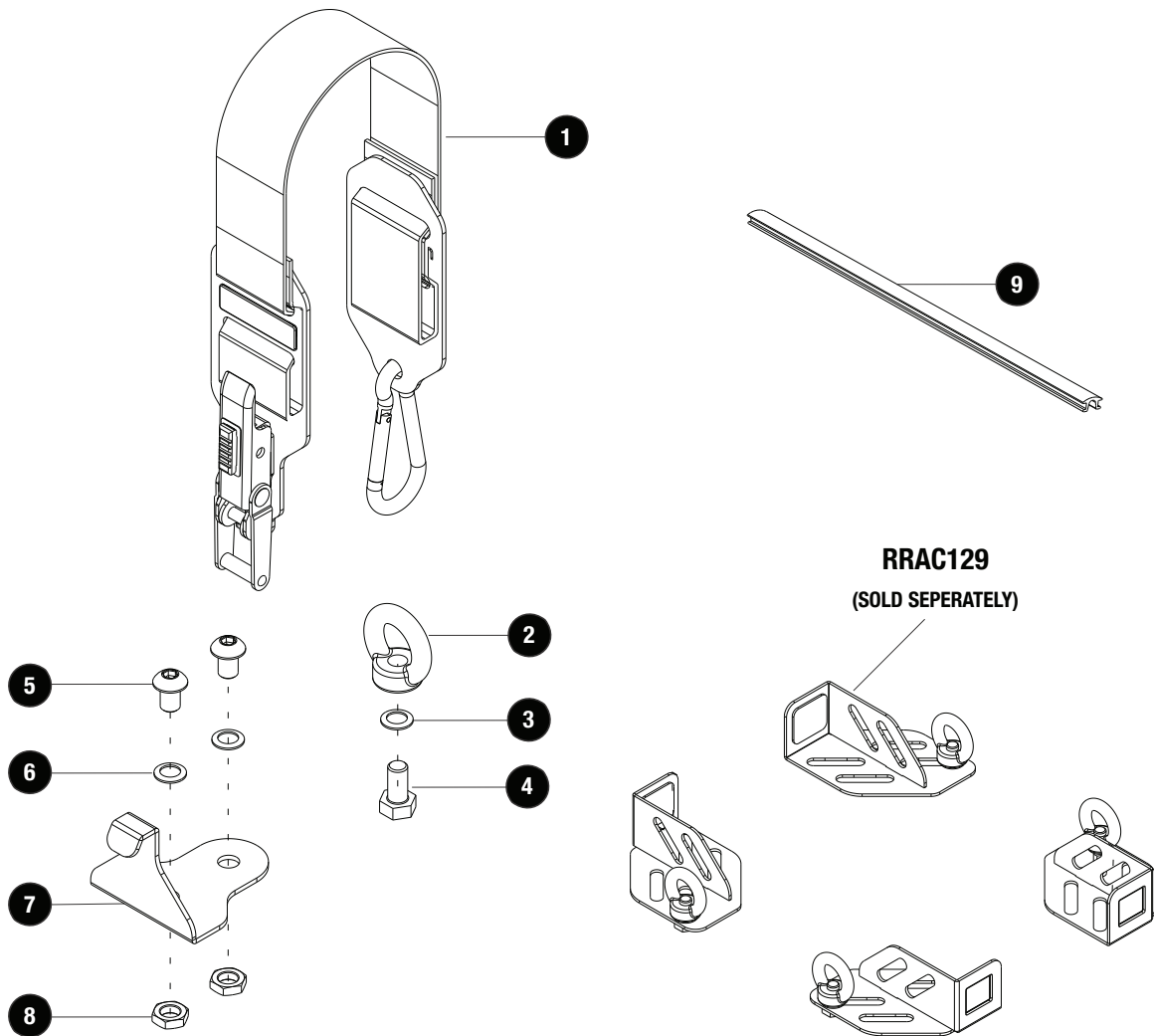
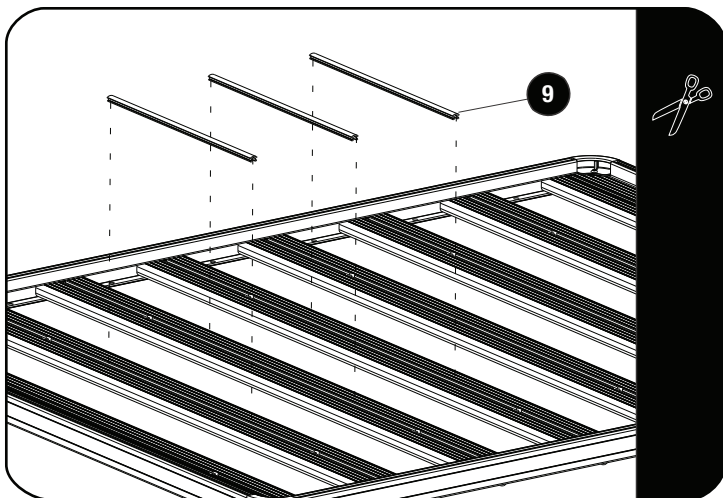


FIGURE 1.1



**2****FIT AND SECURE**

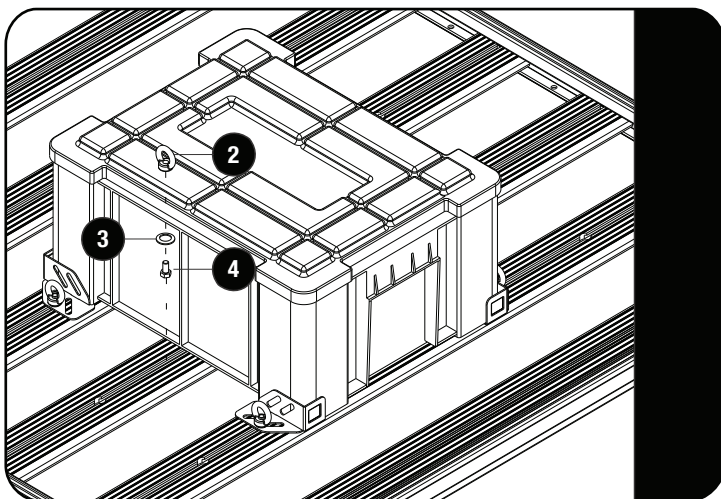
2.1



☻ Decide where on the Rack you want the storage box.

Insert T-Slot Rubbers (Item 9) into the slats where the storage box will be placed.

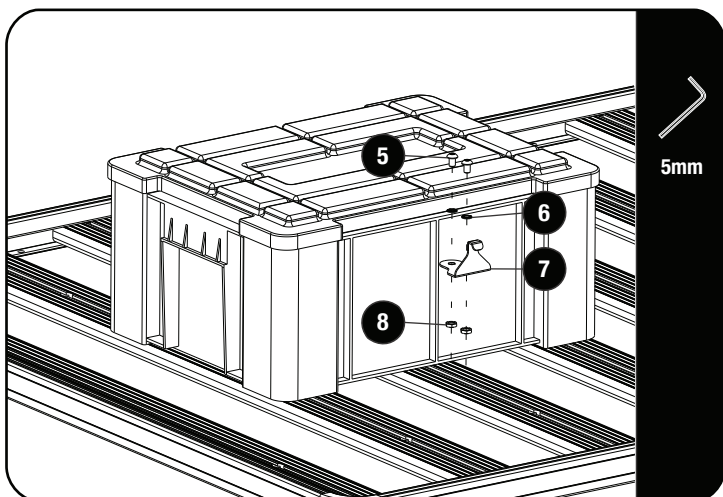
2.2



☻ Place your storage box onto the Rack between the Adjustable Rack Cargo Chocks RRAC129 (SOLD SEPERATELY).

Slide an M8 x 16 Hex Bolt, M8 Nylon Washer & M8 Eye Nut (Item 2,3 & 4) in the chosen slat T-Slot. Tighten the M8 Eye Nut so that it is close against the storage box.

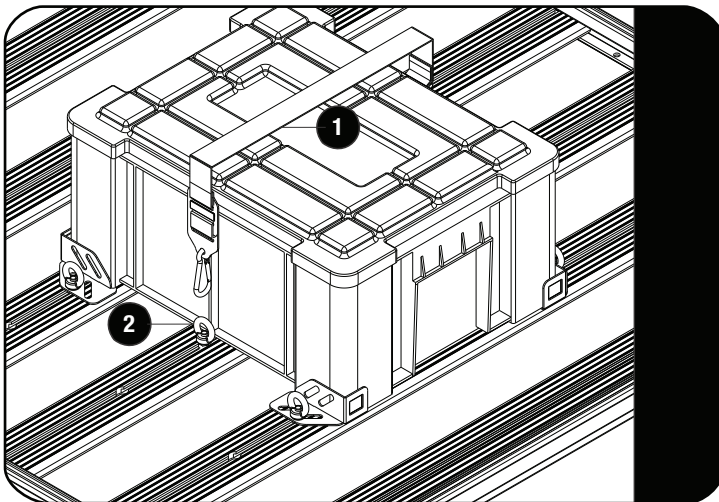
2.3



☻ Slide two M8 Half Nuts (Item 8) into the T-Slot in the slat on the opposite side of the storage box. Using two M8 Schnorr Washers and two M8 x 12 Button Head Bolts (Item 6 & 5) secure the Lock Catch Mount (Item 7) so that it will sit under the storage box.

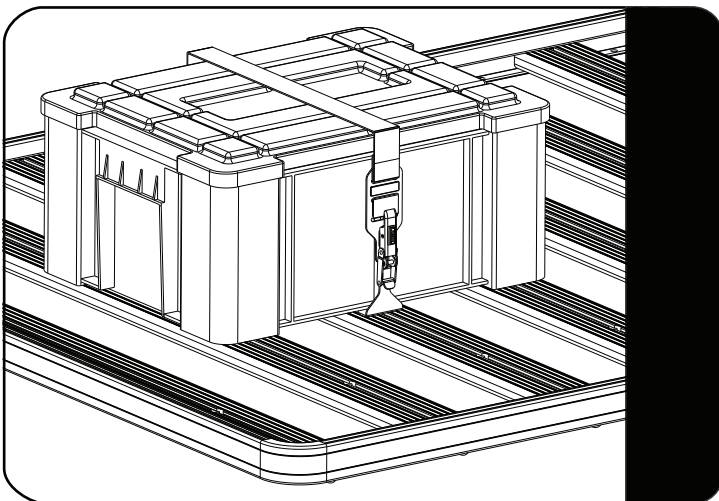
**2****FIT AND SECURE**

2.4



Fit the Strap Assembly (Item 1) to the M8 Eye Nut (Item 2) with the provided carabiner.

2.5



With the latch in the open position and secured onto the catch mount, adjust the strap to the correct length to fit the storage box.

**3****FINISH**

Congratulations! You did it. Take a step back and admire your work!

**4****INSTALL OTHER VEHICLE AND RACK ACCESSORIES**