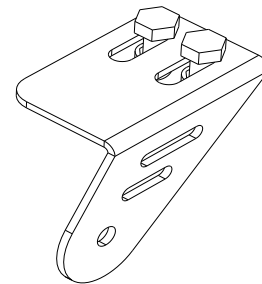
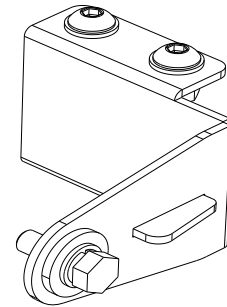
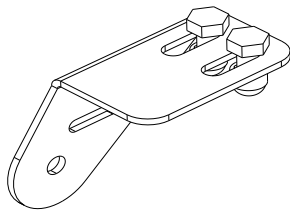
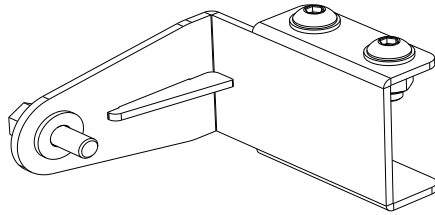




FRONT RUNNER
VEHICLE OUTFITTERS

LED LIGHT BAR RACK MOUNT BRACKETS

RRAC124



READ ME !

Thank you for purchasing a Front Runner LED Light Bar Rack Mount Brackets.

Before you start, take a moment to familiarize yourself with the Fitting Instructions and the components received.

Refer to Page 2 for a list of all the components, quantities and tools required.

NOTE: Front Runner will not be responsible for any damage caused by the failure to install the product according to these instructions.

Please call us if you have any questions about the installation of this product.

IMPORTANT WARNING!

FRONT RUNNER CAN NOT RECOMMEND A MAXIMUM LOAD CARRYING CAPACITY. PLEASE REFER TO YOUR VEHICLE MANUFACTURER'S RECOMMENDATIONS. IT IS CRITICAL THAT ALL FRONT RUNNER PRODUCTS BE PROPERLY AND SECURELY ASSEMBLED AND ATTACHED TO YOUR VEHICLE. IMPROPER ATTACHMENT COULD RESULT IN AN AUTOMOBILE ACCIDENT, AND COULD CAUSE SERIOUS BODILY INJURY OR DEATH. YOU ARE RESPONSIBLE FOR ASSEMBLING AND SECURING ALL FRONT RUNNER PRODUCTS TO YOUR VEHICLE. CHECKING THE ATTACHMENTS PRIOR TO USE, AND PERIODICALLY INSPECTING THE PRODUCTS FOR ADJUSTMENT, WEAR AND DAMAGE. THEREFORE YOU MUST READ AND UNDERSTAND ALL OF THE INSTRUCTIONS AND PRECAUTIONS SUPPLIED WITH YOUR FRONT RUNNER PRODUCT PRIOR TO INSTALLATION OR USE. IF YOU DO NOT UNDERSTAND ALL OF THE INSTRUCTIONS AND CAUTIONS, OR IF YOU HAVE NO MECHANICAL EXPERIENCE AND ARE NOT THOROUGHLY FAMILIAR WITH THE INSTALLATION PROCEDURES, YOU SHOULD HAVE THE PRODUCT INSTALLED BY A PROFESSIONAL INSTALLER OR OTHER QUALIFIED PERSONNEL.

1

GET ORGANIZED

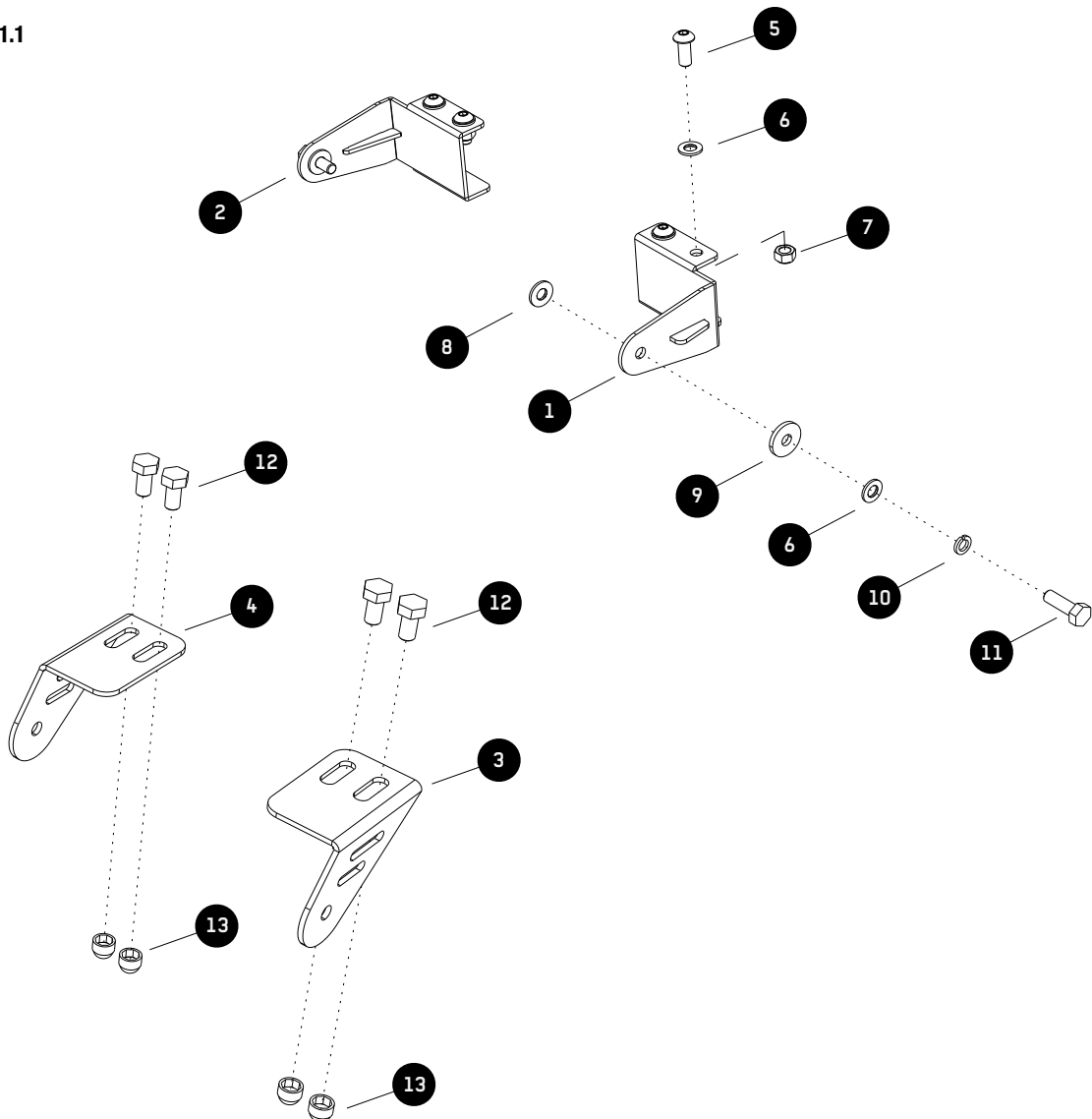
IN THE BOX

1	1 X	LH Front Mount Bracket
2	1 X	RH Front Mount Bracket
3	1 X	LH Under Rack Mount Bracket
4	1 X	RH Under Rack Mount Bracket
5	6 X	M8 x 20 Button Head Bolt
6	8 X	M8 x 16 x 1.6SS Flat Washer
7	6 X	M8 Nyloc Nut
8	2 X	M8 x 19 x 2SS Flat Washer
9	2 X	Spacer
10	2 X	M8 SS Spring Washer
11	2 X	M8 x 25 Hex Bolt
12	4 X	M8 x 16 Hex Bolt
13	6 X	M8 Nut Cap

TOOLS NEEDED

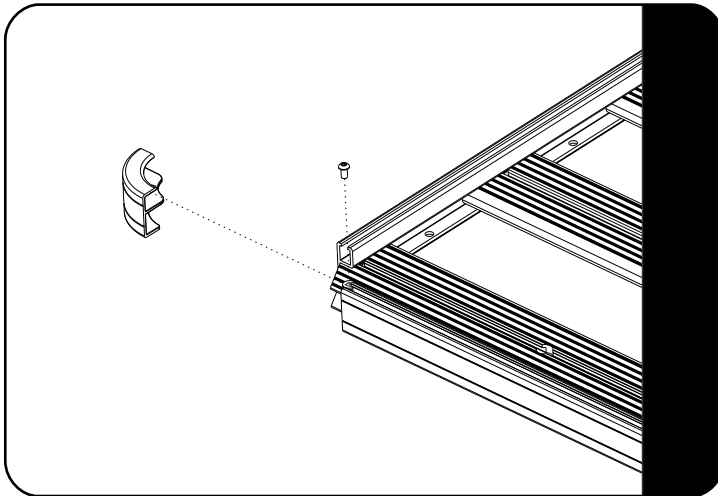


FIGURE 1.1



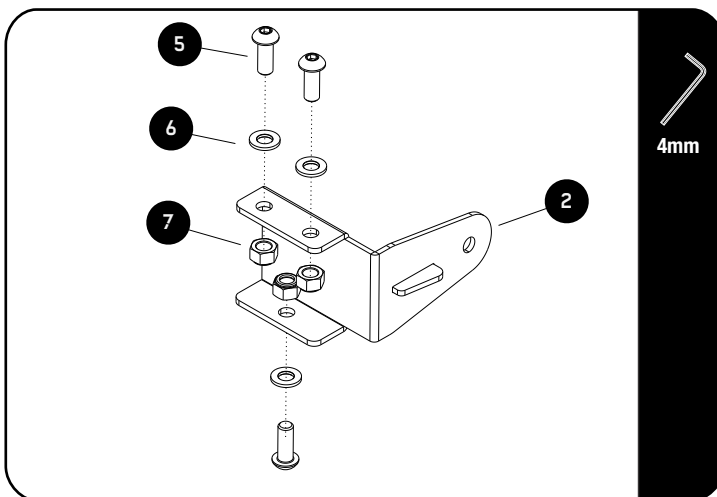
2**FIT AND SECURE THE FRONT MOUNT BRACKETS**


2.1



 Remove the front right hand side corner piece.

2.2

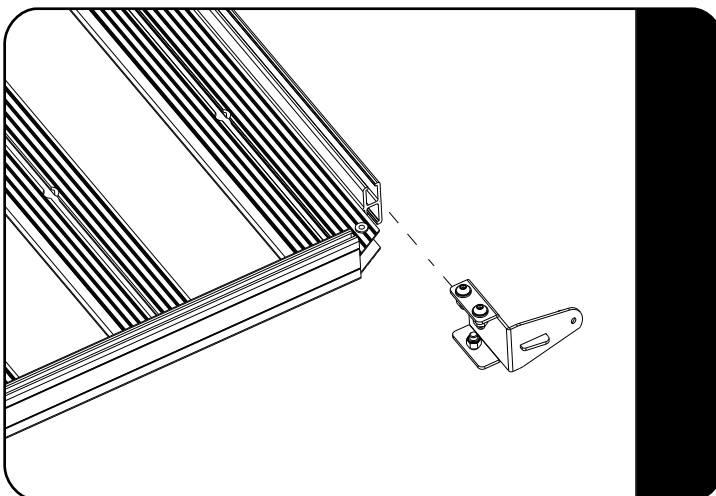


 Decide where you want to fit a light bar, on the front, side or in the front or rear of the Slimline II Rack.

If you fit the light on the front or rear of the Rack, assemble three M8 x 20 Button Head Bolts, three M8 x 16 x 1.6SS Flat Washers and three Nyloc Nuts (Items 5, 6 & 7) to the LH and RH Front Mount Brackets (Items 1 & 2) as shown.

If you fit the light bar on the side, assemble only the two top Button Head Bolts with Washers and Nyloc Nuts as shown.

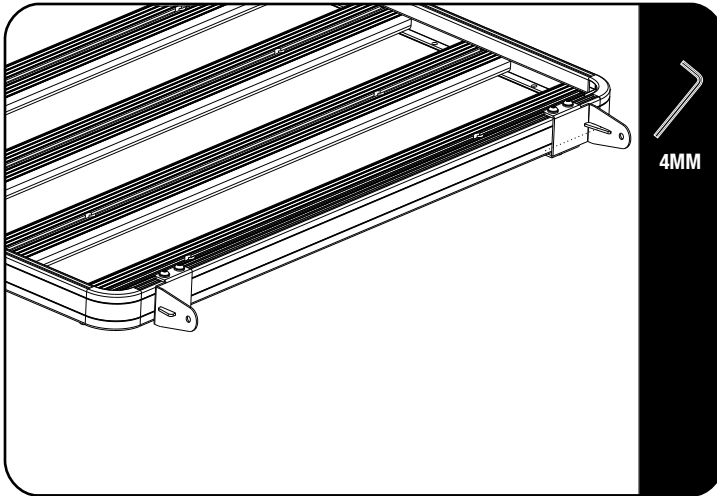
2.3



 Slide the LH and RH Front Mount Brackets into the Profile.

2**FIT AND SECURE THE FRONT MOUNT BRACKETS FRONT MOUNT BRACKETS**

2.4

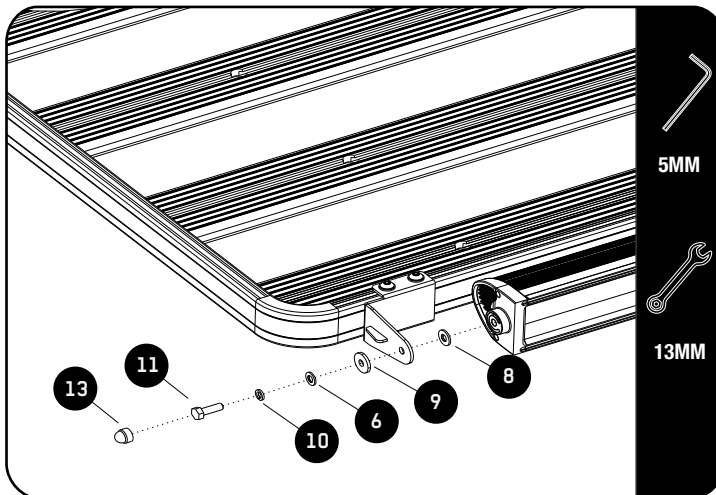


Using a tape measure, space the Brackets accordingly to suite the length of the light bar you will be fitting.

Fully tighten the LH and RH Front Mounting Brackets to the Rack.

Refit the front right hand corner piece.

2.5



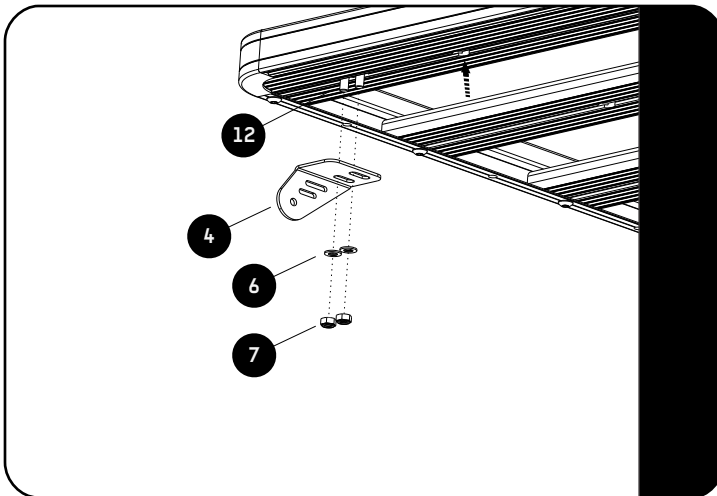
Secure the light bar to the Mounting Brackets using two M8 x 25 Hex Bolts, two M8 Spring Washers, two M8 x 16 x 1.6SS Flat Washers, the Spacer and M8 x 19 x 2SS Flat Washers (Items 11, 10, 6, 9 & 8) as shown.

Finish of by placing M8 Nut Caps (Item 13) over the M8 Hex Bolts.

3

FIT AND SECURE THE UNDER RACK MOUNT BRACKETS

3.1

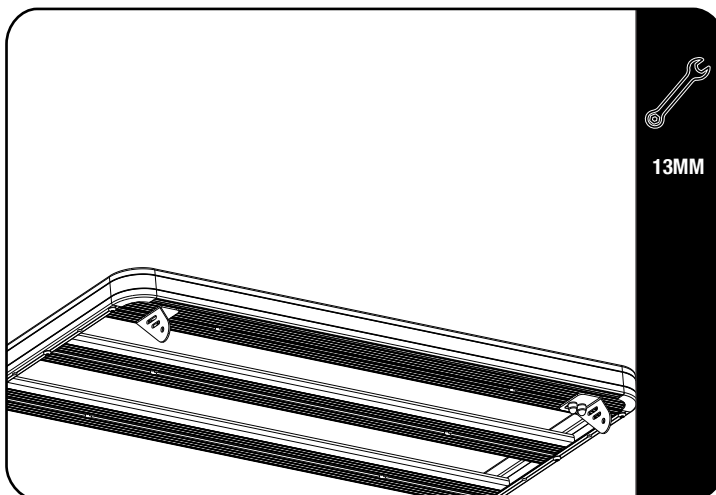


Loosen and remove the wind deflector from the Rack if it is already fitted.

Insert two M8 x 20 Hex Bolts (Item 12) into the front slat using the machined slots as shown.

Loosely fasten the two Under Rack Mount Brackets (Items 3 & 4) to the M8 x 20 Hex Bolts using M8 x 16 x 1.6SS Flat Washers and M8 Nyloc Nuts (Items 6 & 7).

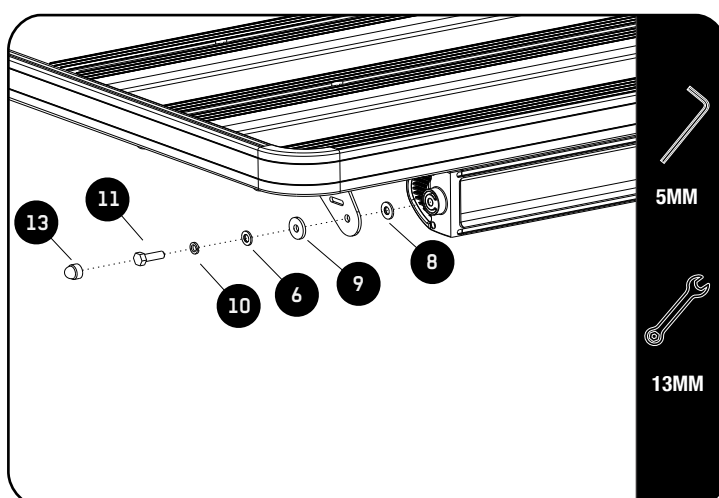
3.2



Using a tape measure, space the Brackets accordingly to suite the length of the light bar you will be fitting.

Fully tighten the LH and RH Front Mounting Brackets to the Rack.

3.3



Secure the light bar to the Mounting Brackets using two M8 x 25 Hex Bolts, two M8 Spring Washers, two M8 x 16 x 1.6SS Flat Washers, the Spacer and M8 x 19 x 2SS Flat Washers (Items 11, 10, 6, 9 & 8) as shown.

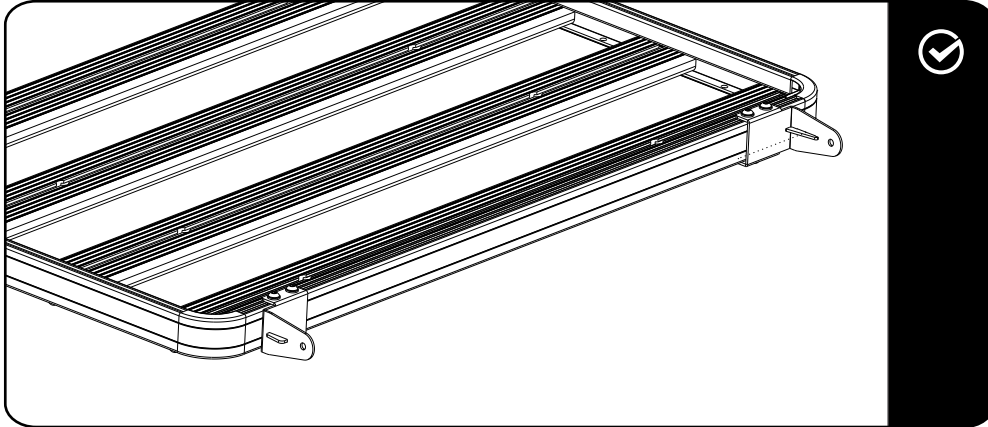
Finish of by placing M8 Nut Caps (Item 13) over the M8 Hex Bolts.

4

COMPLETION

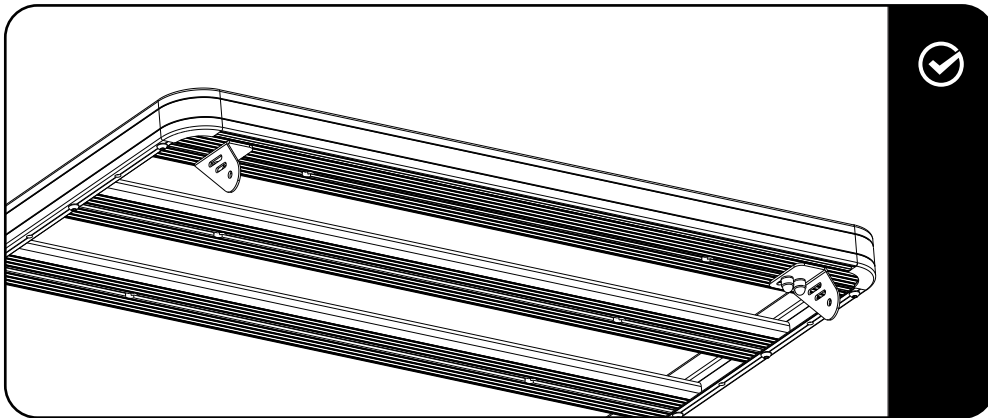
FRONT MOUNT BRACKETS

4.1



UNDER RACK MOUNT BRACKETS

4.2



Congratulations! You did it. Take a step back and admire your work!

5

INSTALL OTHER VEHICLE AND RACK ACCESSORIES

Now's the time to visit your favorite Front Runner Dealer in person or Online.