

READ ME ! ⚠

Thank you for purchasing a Front Runner Rotopax Mounting Plate.

Before you start, take a moment to familiarize yourself with this Fitting Instruction and the components received.

Refer to Page 2 for a list of all the components, quantities and tools required.

IMPORTANT WARNING! ⚠

IT IS CRITICAL THAT ALL FRONT RUNNER PRODUCTS BE PROPERLY AND SECURELY ASSEMBLED AND ATTACHED TO YOUR VEHICLE.

IMPROPER ATTACHMENT COULD RESULT IN AN AUTOMOBILE ACCIDENT, AND COULD CAUSE SERIOUS BODILY INJURY OR DEATH.

YOU ARE RESPONSIBLE FOR ASSEMBLING AND SECURING ALL FRONT RUNNER PRODUCTS TO YOUR VEHICLE. CHECKING THE ATTACHMENTS PRIOR TO USE, AND PERIODICALLY INSPECTING THE PRODUCTS FOR ADJUSTMENT, WEAR AND DAMAGE.

THEREFORE YOU MUST READ AND UNDERSTAND ALL OF THE INSTRUCTIONS AND PRECAUTIONS SUPPLIED WITH YOUR FRONT RUNNER PRODUCT PRIOR TO INSTALLATION OR USE.

IF YOU DO NOT UNDERSTAND ALL OF THE INSTRUCTIONS AND CAUTIONS, OR IF YOU HAVE NO MECHANICAL EXPERIENCE AND ARE NOT THOROUGHLY FAMILIAR WITH THE INSTALLATION PROCEDURES,

YOU SHOULD HAVE THE PRODUCT INSTALLED BY A PROFESSIONAL INSTALLER OR OTHER QUALIFIED PERSONNEL.

1

GET ORGANIZED

Here is what you are looking at for RRAC105

IN THE BOX

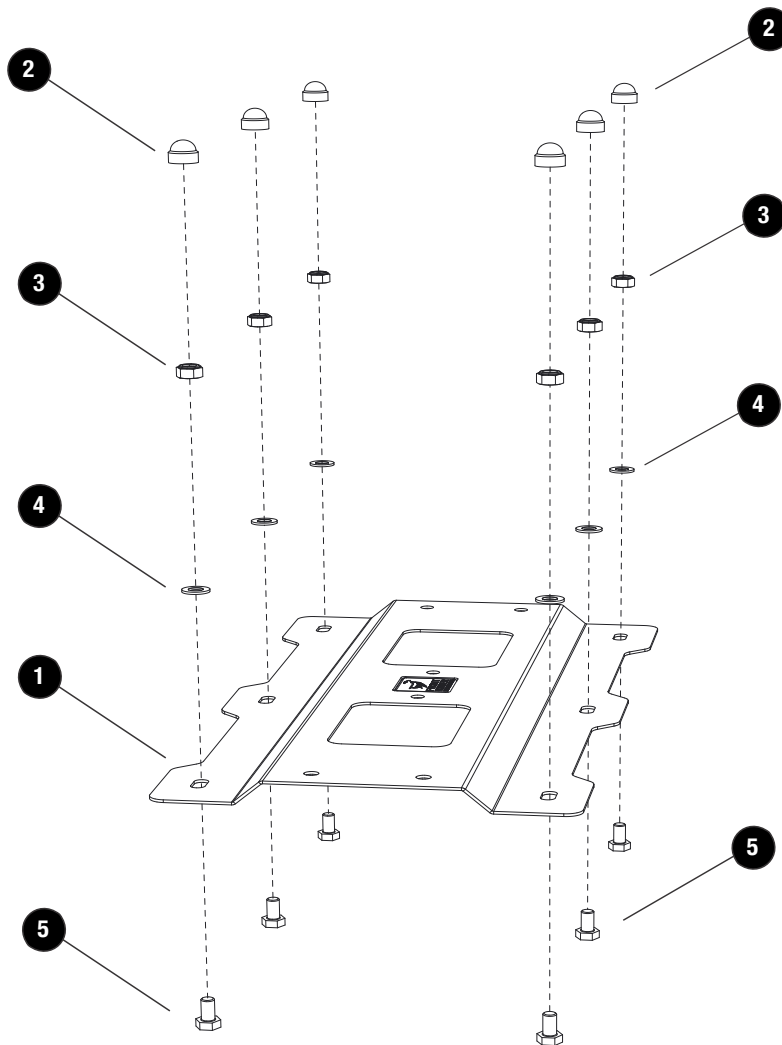
1	1 X	RotoPax Mounting Plate
2	6 X	M8 Nut Cap
3	6 X	M8 Nyloc Nut
4	6 X	M8x16x1.6ss Flat Washer
5	6 X	M8x16 Hex Bolt

TOOLS NEEDED



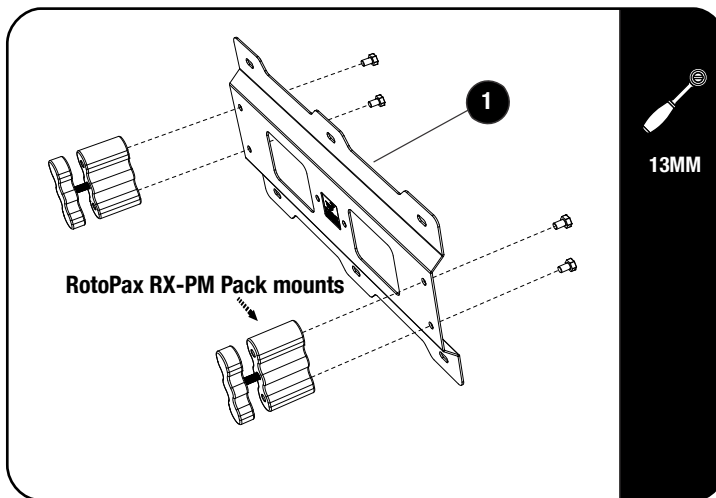
13MM

FIGURE 1.1



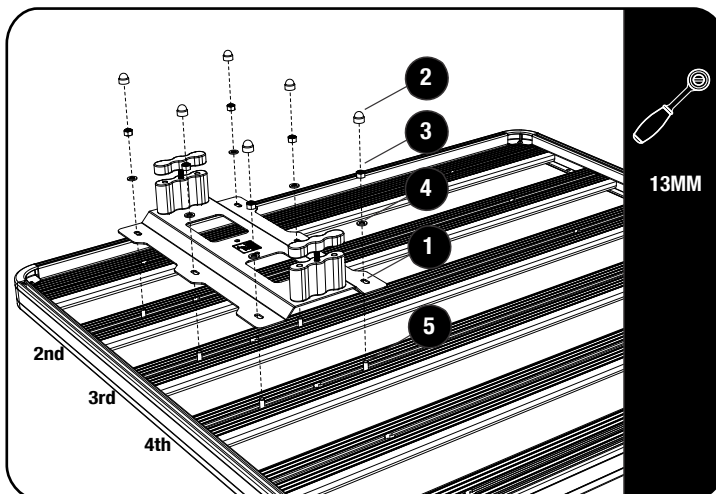
2**FIT AND SECURE**

2.1



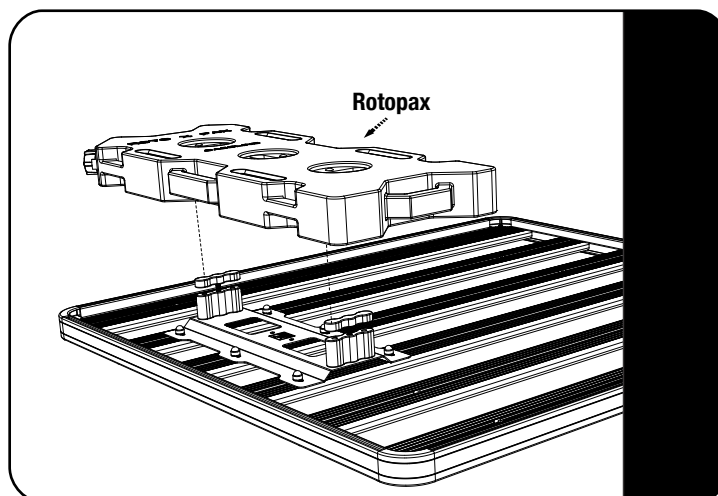
Fit 2 RotoPax RX-PM Pack mounts to the Rotopax mounting plate (item 1). Fasteners are supplied with the RotoPax RX-PM Pack mounts.

2.2



Slide 2 M8x16 hex bolts (item 5) into each of the 2nd, 3rd and 4th slats t-slot. Place the Rotopax mounting plate (item 1) over the bolts. Move the mounting plate into the desired position by using the Rotopax tank before securing it with items 3 and 4. Finish it off by placing a M8 nut cap (item 2) over each of the 6 nyloc nuts (item 3).

2.3



Place the Rotopax over the RotoPax RX-PM Pack mounts and tighten.

3

COMPLETION

3.1



Congratulations. You did it. Take a step back and admire your work!

4

INSTALL OTHER VEHICLE AND RACK ACCESSORIES

Now's the time to visit your favorite Front Runner Dealer in person or online.