



FRONT RUNNER

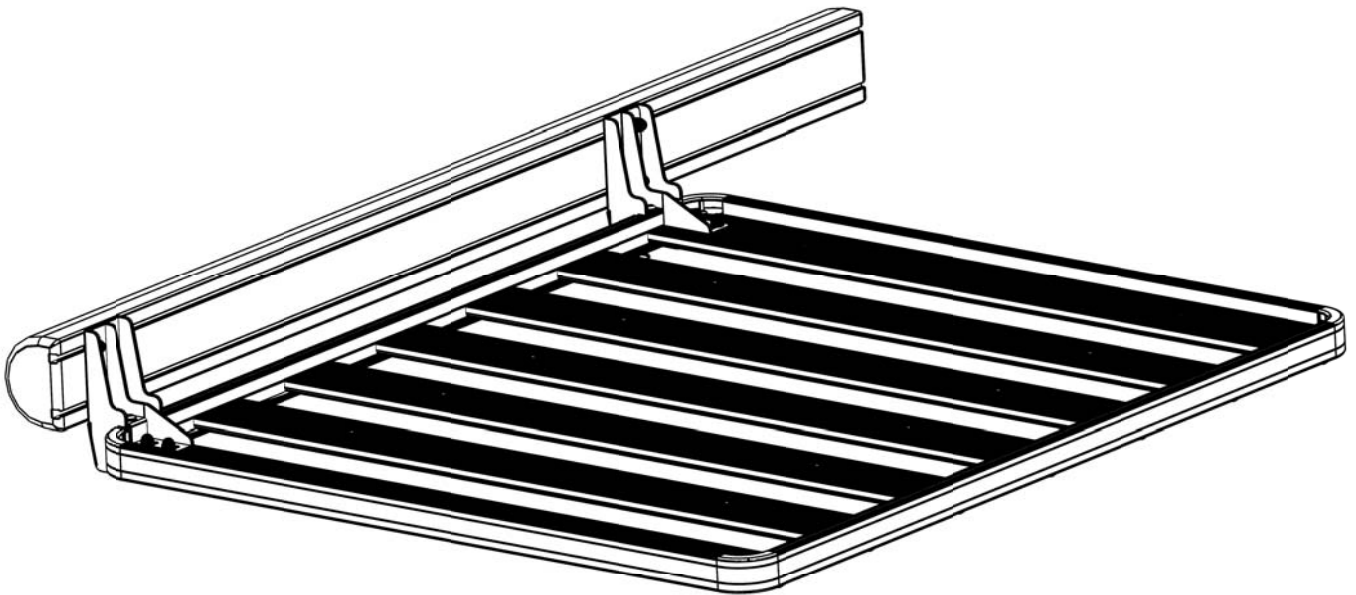
**AWNING BRACKET
BAT WING / MANTA WING**

ENG

RRAC074



INSTALL TIME: 30 mins



IMPORTANT WARNING!

IT IS CRITICAL THAT ALL FRONT RUNNER PRODUCTS BE PROPERLY AND SECURELY ASSEMBLED AND ATTACHED TO YOUR VEHICLE. IMPROPER ATTACHMENT COULD RESULT IN AN AUTOMOBILE ACCIDENT, AND COULD CAUSE SERIOUS BODILY INJURY OR DEATH TO YOU OR TO OTHERS. YOU ARE RESPONSIBLE FOR ASSEMBLING AND SECURING ALL FRONT RUNNER PRODUCTS TO YOUR VEHICLE, CHECKING THE ATTACHMENTS PRIOR TO USE, AND PERIODICALLY INSPECTING THE PRODUCTS FOR ADJUSTMENT, WEAR, AND DAMAGE. THEREFORE, YOU MUST READ AND UNDERSTAND ALL OF THE INSTRUCTIONS AND CAUTIONS SUPPLIED WITH YOUR FRONT RUNNER PRODUCT PRIOR TO INSTALLATION OR USE. IF YOU DO NOT UNDERSTAND ALL OF THE INSTRUCTIONS AND CAUTIONS, OR IF YOU HAVE NO MECHANICAL EXPERIENCE AND ARE NOT THOROUGHLY FAMILIAR WITH THE INSTALLATION PROCEDURES, YOU SHOULD HAVE THE PRODUCT INSTALLED BY A PROFESSIONAL INSTALLER OR OTHER QUALIFIED PERSONNEL.

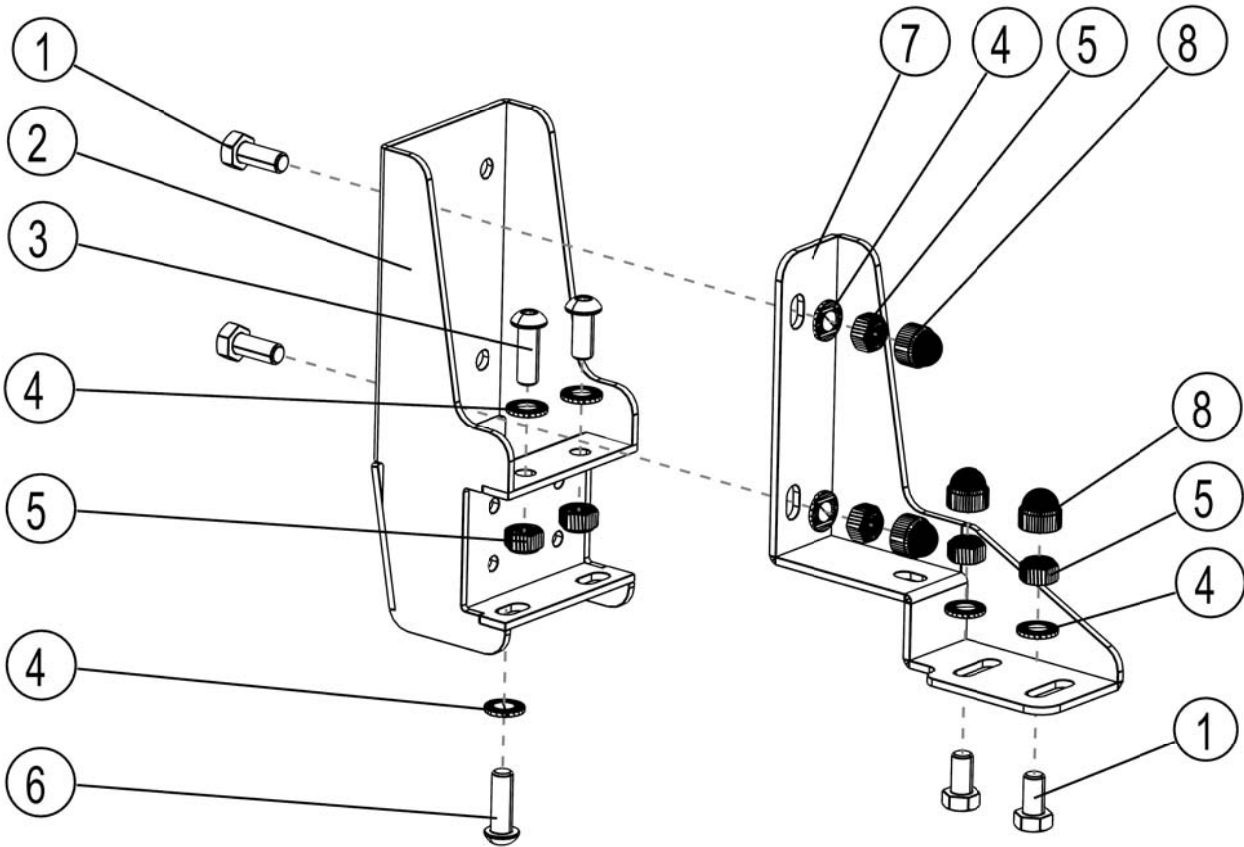
1 GET ORGANIZED

Here is what you are looking at:

Item #	Quantity	Description
1	8	M8 x 16 HEX BOLT
2	2	AWNING BRACKET
3	4	M8 x 25 BUTTON HEAD BOLT
4	14	M8 FLAT WASHER
5	12	M8 NYLOC NUT
6	2	M8 x 30 BUTTON HEAD BOLT
7	2	SUPPORT BRACKET - 1 LEFT, 1 RIGHT
8	8	M8 NUT CAP

You will need:

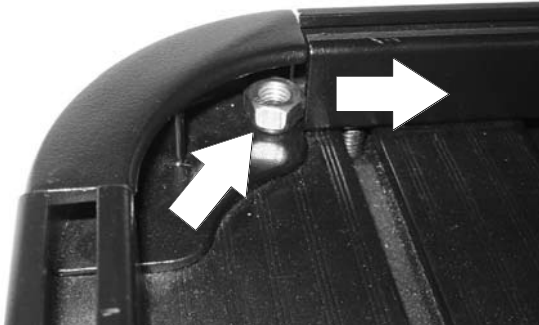
- 13 mm Flat or Socket Wrench
- 5 mm Hex Key



(A) Familiarize yourself with the parts and then step away from the work area and read through these instructions from beginning to end. Take a moment as a little prep now may save you a lot of time later.

2 INSTALL BRACKETS AND AWNING CONT

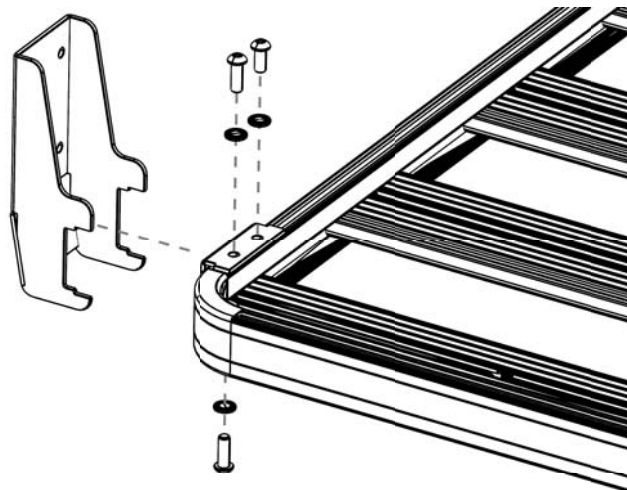
- (A) Decide on which side of your Rack you would like to install your Awning. On each corner of the chosen side, slide two M8 Nyloc Nuts (Item 5) dome side down into the T-slot channel through the gap in the corner of the Tray as shown.



- (B) Looking underneath the Rack, remove the M8 x 25 Button Head Bolt on each corresponding corner as indicated.

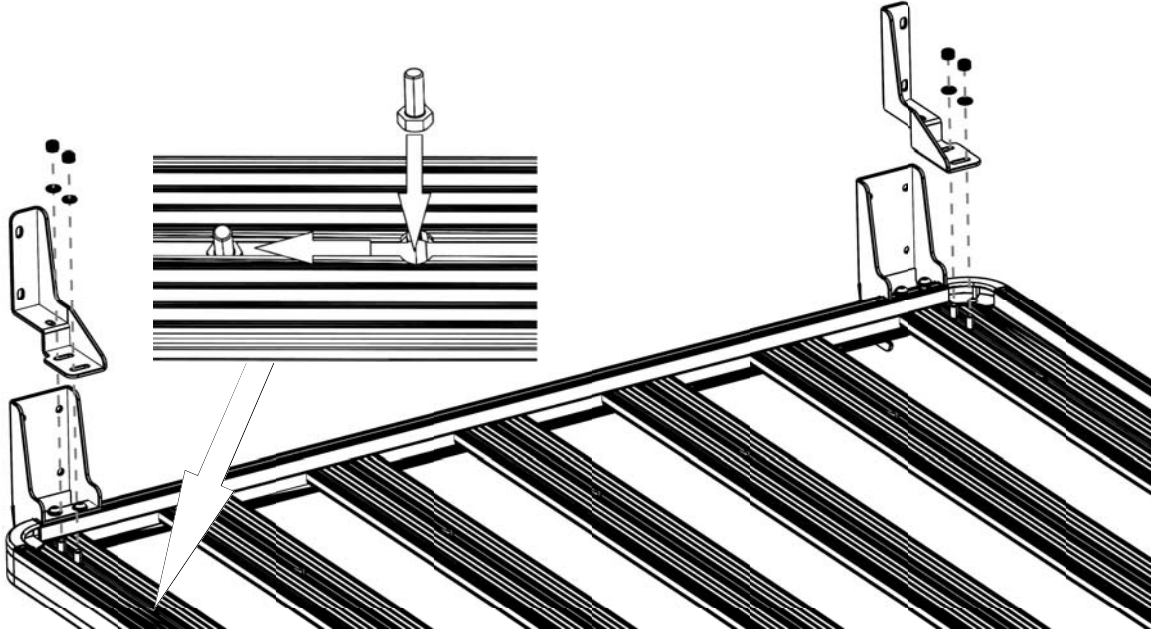


- (C) Place the Awning Brackets (Item 2) over the Side of the Rack, lining up the holes in the Awning Brackets with the Nyloc Nuts inserted in Step 2A. Loosely secure the top of the Brackets in position using four M8 x 25 Button Head Bolts, four M8 Flat Washers (Items 2 & 3). When securing the bottom of the Brackets, only the outer mounting hole is used. Referring to Step 2B, line the outer mounting hole up with the nyloc nut left behind in the Slot when you removed the Button Head Bolt and loosely secure using a M8 x 30 Button Head Bolt and M8 Flat Washer (Items 4 & 6).

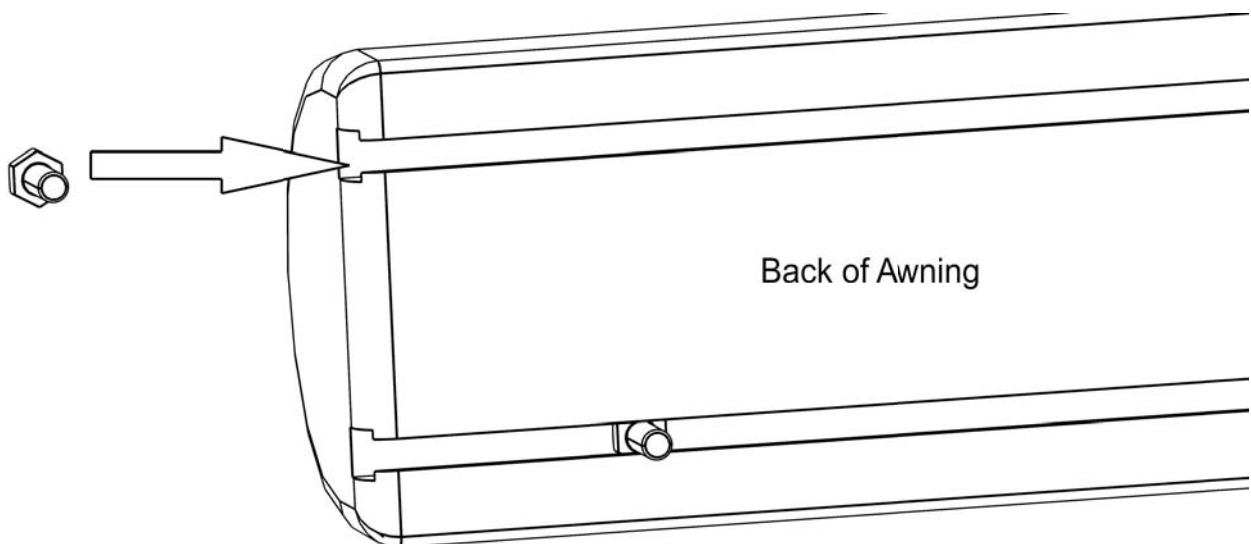


2 INSTALL BRACKETS AND AWNING CONT...

- (D) Insert two M8 x 16 Hex Bolts into the first and last Slats through the machined slot as indicated. Place the left and right Support Brackets (Item 7) over the Hex Bolts and loosely secure the Brackets to the Rack using four M8 Nyloc Nuts and four M8 Flat Washers (Items 4 & 5). Slide the Support Brackets up against the Awning Brackets, lining up the holes in the Support Bracket with the holes in the Awning Bracket.

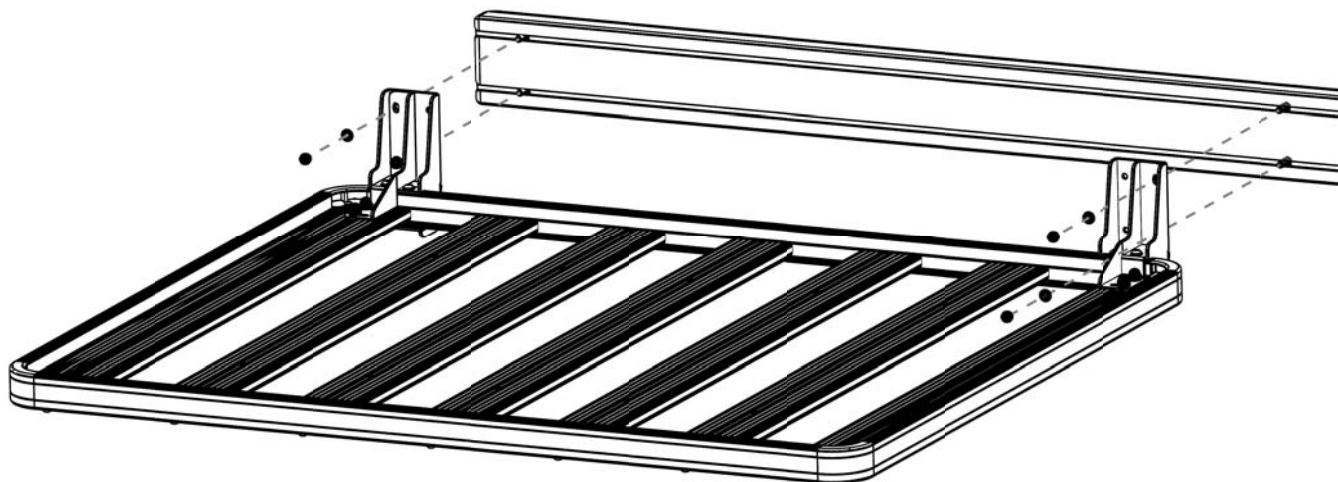


- (E) Looking at the rear of the Awning, insert a M8 x 16 Hex Bolt (Item 1) into either end of the two T-slot channels and space according to the length of your Rack and position of the Mounting Brackets.



2 INSTALL BRACKETS AND AWNING CONT...

- (F) Lift the Awning into position, lining up the Hex Bolts inserted in Step 2E with outer set of holes in the Brackets. Loosely secure the Awning to both Brackets using four M8 Flat Washers and Four M8 Nyloc Nuts (Item 4 & 5). Adjust the awning front to back as required. Fasten all nuts and bolts and Place a M8 Nut Cap (Item 8) over all the exposed Nyloc Nuts.



- (G) Congratulations, you have completed your installation. Take a step back and admire your work. Good Job!

3 INSTALL OTHER VEHICLE AND RACK ACCESSORIES

- (A) Now's the time to visit your favourite Front Runner dealer in person or online.