

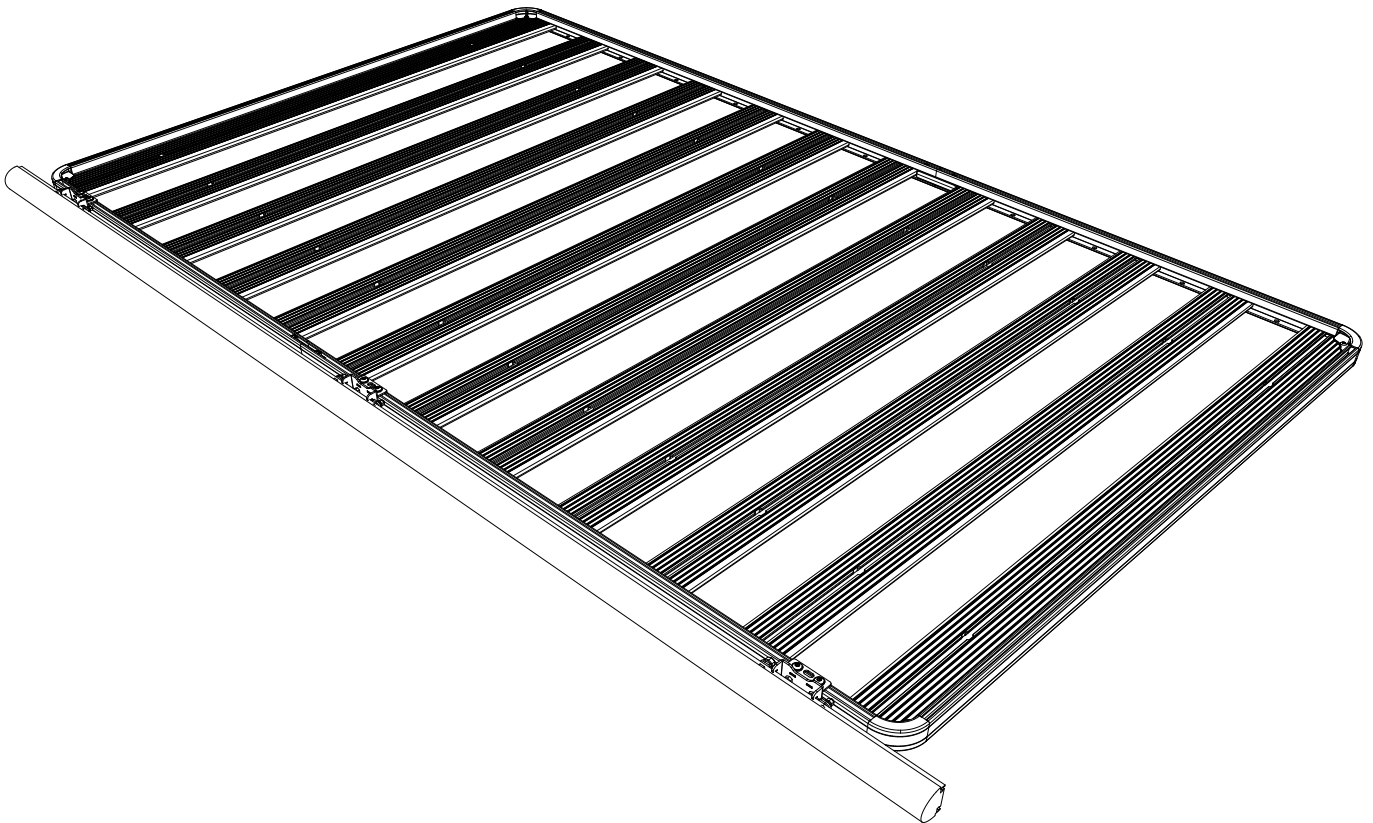


FRONT RUNNER
VEHICLE OUTFITTERS

EASY-OUT AWNING BRACKETS

ENG

RRAC029



READ ME !

Thank you for purchasing the Easy-Out Awning Bracket.

Before you start, take a moment to familiarize yourself with the Fitting Instructions and the components received.

Refer to Page 2 for a list of all the components, quantities and tools required.

IMPORTANT WARNING!

IT IS CRITICAL THAT ALL FRONT RUNNER PRODUCTS BE PROPERLY AND SECURELY ASSEMBLED AND ATTACHED TO YOUR VEHICLE. IMPROPER ATTACHMENT COULD RESULT IN AN AUTOMOBILE ACCIDENT, AND COULD CAUSE SERIOUS BODILY INJURY OR DEATH. YOU ARE RESPONSIBLE FOR ASSEMBLING AND SECURING ALL FRONT RUNNER PRODUCTS TO YOUR VEHICLE. CHECKING THE ATTACHMENTS PRIOR TO USE, AND PERIODICALLY INSPECTING THE PRODUCTS FOR ADJUSTMENT, WEAR AND DAMAGE. THEREFORE YOU MUST READ AND UNDERSTAND ALL OF THE INSTRUCTIONS AND PRECAUTIONS SUPPLIED WITH YOUR FRONT RUNNER PRODUCT PRIOR TO INSTALLATION OR USE. IF YOU DO NOT UNDERSTAND ALL OF THE INSTRUCTIONS AND CAUTIONS, OR IF YOU HAVE NO MECHANICAL EXPERIENCE AND ARE NOT THOROUGHLY FAMILIAR WITH THE INSTALLATION PROCEDURES, YOU SHOULD HAVE THE PRODUCT INSTALLED BY A PROFESSIONAL INSTALLER OR OTHER QUALIFIED PERSONNEL.

1 GET ORGANIZED

IN THE BOX

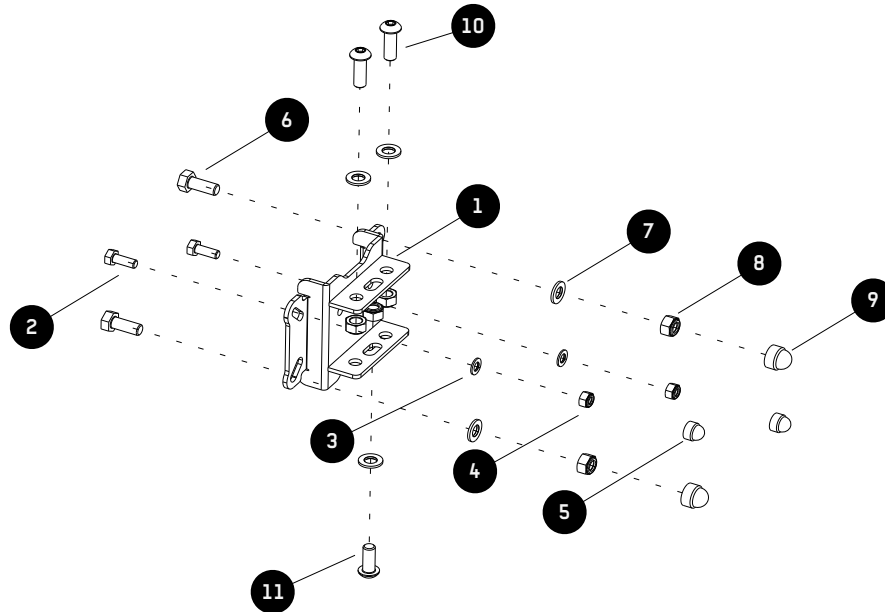
1	3 X	Mounting Bracket
2	15 X	M6 x 16 Hex Bolt
3	15 X	M6 x 12 x 1SS Flat Washer
4	15 X	M6 Nyloc Nut
5	6 X	M6 Nut Cap
6	6 X	M8 x 20 Hex Bolt
7	15 X	M8 x 16 x 1.6SS Flat Washer
8	15 X	M8 Nyloc Nut
9	6 X	M8 Nut Cap
10	6 X	M8 x 25 Button Head Bolt
11	3 X	M8 x 20 Button Head Bolt

TOOLS NEEDED



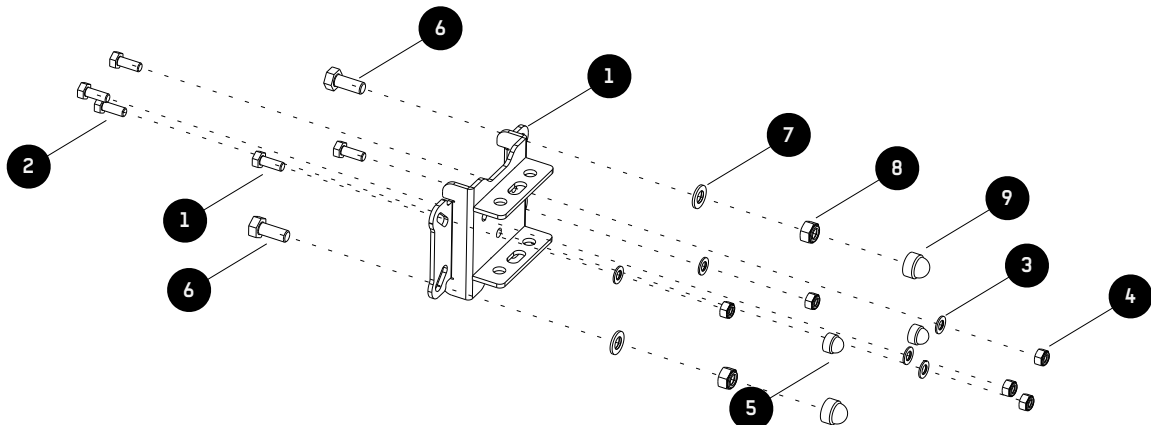
SLIMLINE II RACK (Steps 2.1 - 2.3)

FIGURE 1.1



SLIMLINE RACK (Steps 3.1 - 3.3)

FIGURE 1.2



2

AWNING BRACKET INSTALLATION - SLIMLINE II RACK

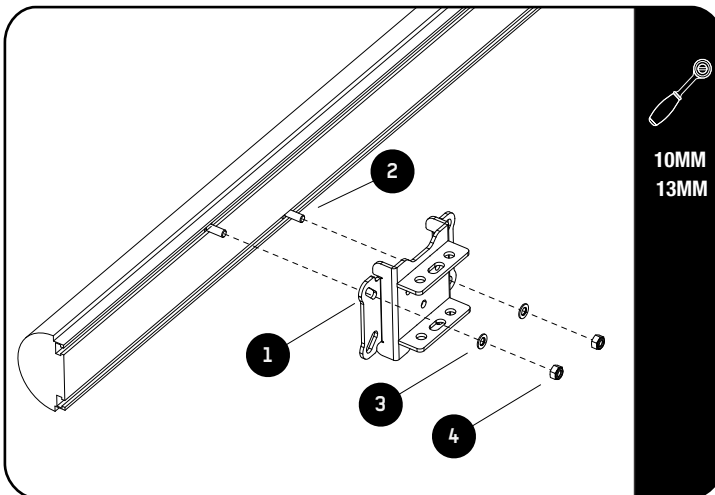
2.1



Choose which side for the Slimline II Tray you'd like to install the Awning.

On the chosen side, slide six M8 Nyloc Nuts (Item 8) in the T-slot channel at the corner of the Tray making sure the M8 Nyloc Nut thread is facing upward. Two M8 Nyloc Nuts will be used for each Mounting Bracket (Item 1). Spacing of the Nyloc Nuts will depend on the length of the Tray and the Awning. The Mounting Brackets must be positioned between two Slats.

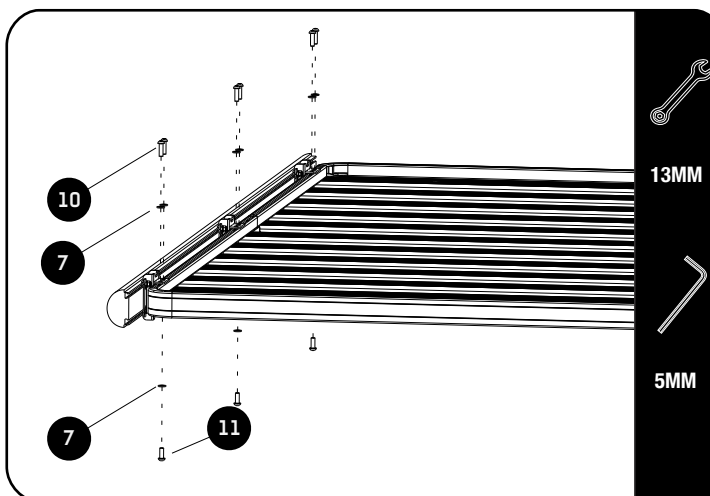
2.2



Depending on the type of Awning Extrusion, slide either three M6 x 16 Hex Bolt or three M8 x 20 Hex Bolts (Items 2 or 6) into the top extrusion slot and three into the bottom extrusion slot.

Place the Mounting Brackets over the Hex Bolts (two per bracket). Fit a flat washer and Nyloc Nut onto the bolts used (Items 3, 4 or 7, 8). Space the Mounting Brackets accordingly.

2.3



Position the Awning onto the Slimline II Rack with the help of a friend. Secure the center Mounting Bracket first.

Fit the M8 x 16 x 1.6SS Flat washer and the M8 Nyloc Nuts loosely onto the M8 x 25 Button Head Bolts (Items 7, 8, 10). Do the same with both other Brackets. Make sure the Awning is centered correctly.

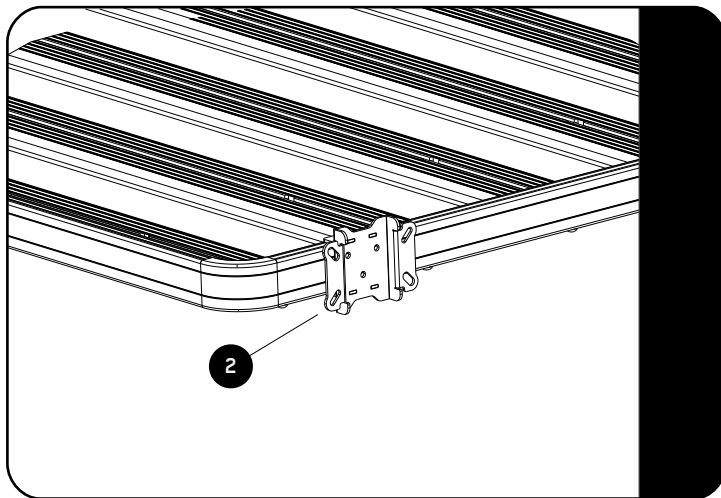
Underneath the Mounting Brackets, you will notice the center hole in the Bracket lines up to the hole in the Side Profile. Insert a M8 x 20 Button Head Bolt and M8 x 16 x 1.6SS Flat Washer (Items 7, 11) and secure with a M8 Nyloc Nut (Item 8).

Fully tighten all fasteners and place Nut Caps over nuts (Either Item 5 or 9).

3

AWNING BRACKET INSTALLATION - SLIMLINE RACK

3.1



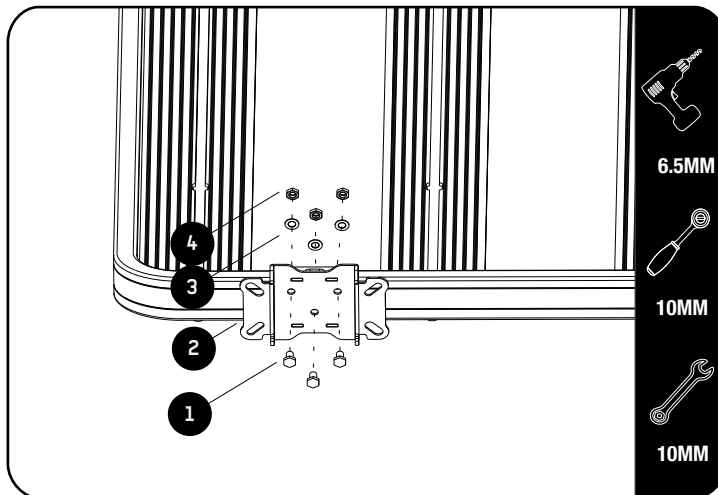
Choose which side for the Slimline II Tray you'd like to install the Awning.

On the chosen side, place the Mounting Brackets (Item 2) between two slats, starting at either end of the side profile of the Rack.

Place the third Mounting Bracket in the center. Make sure the two holes on the bracket are facing upward. Using a white marking pen, mark the three center holes in each Mounting Bracket.

Remove the three Mounting Brackets.

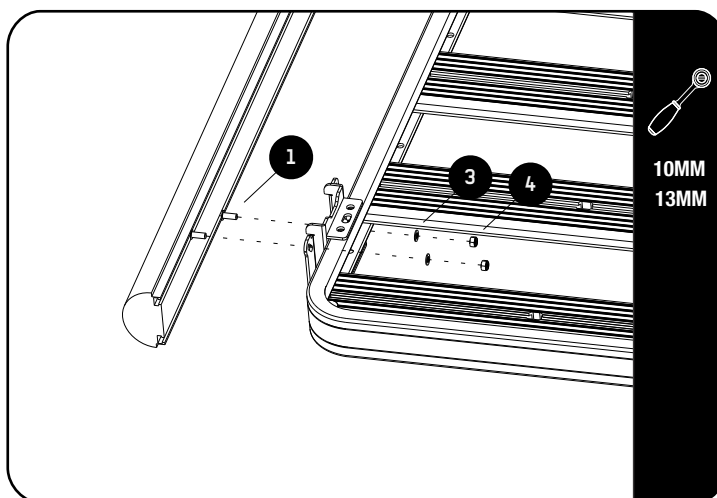
3.2



Drill a 6.5mm hole on the marked positions.

Place the three Mounting Brackets on the Rack so the holes in the bracket line up with the holes you drilled. Insert three M6 x 16 Hex Bolts (Item 1) and secure with M6 x 12 x 1SS Flat Washers and M6 Nyloc Nuts (Items 3, 4).

3.2



Depending on the type of Awning Extrusion, slide either three M6 x 16 Hex Bolt or three M8 x 20 Hex Bolts (Items 1 or 6) into the top slot and three into the bottom slot of the extrusion.

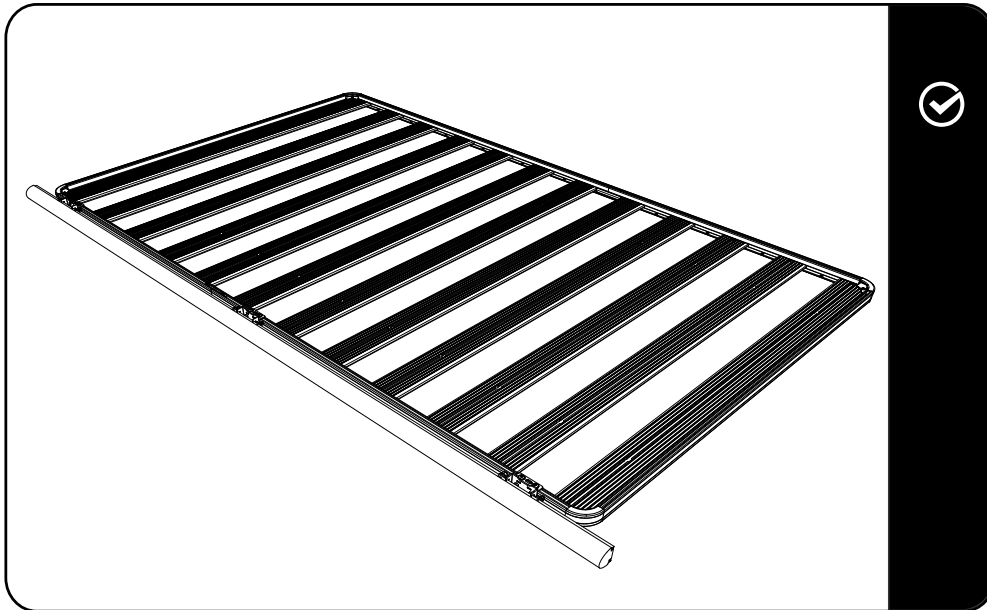
With the help of a friend, lift the Awning up and move towards the Basket while lining-up the bolts in the Awning with the holes in the Mounting Brackets. Fit Flat Washers and Nyloc Nuts (Items 3,4 or 7, 8) onto each bolt.

Fully tighten all fasteners and place Nut Caps over nuts (Either Item 5 or 9).

4

COMPLETION

4.1



Congratulations! You did it. Take a step back and admire your work!

5

Front Runner will not be responsible for any damage caused by the failure to install the product according to these instructions. Please call us if you have any questions about the installation of this product.

6

INSTALL OTHER VEHICLE AND RACK ACCESSORIES

Now's the time to visit your favorite Front Runner Dealer in person or Online.