



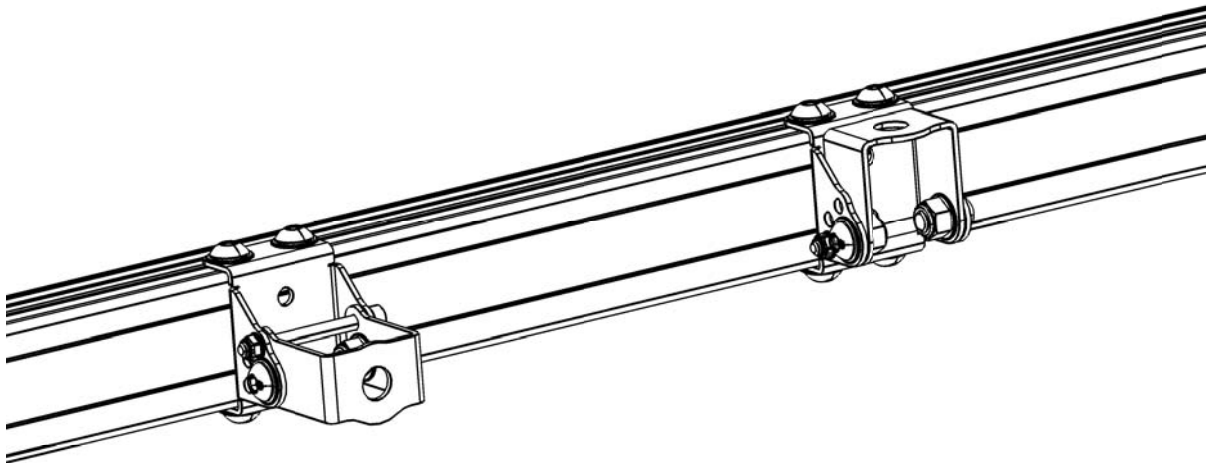
**FRONT RUNNER**

**UNIVERSAL SPOTLIGHT  
BRACKET**

RRAC022



**INSTALL TIME: 15 mins**



**NOTE:** Depending on which type of Rack you have, you will only use some of the fasteners

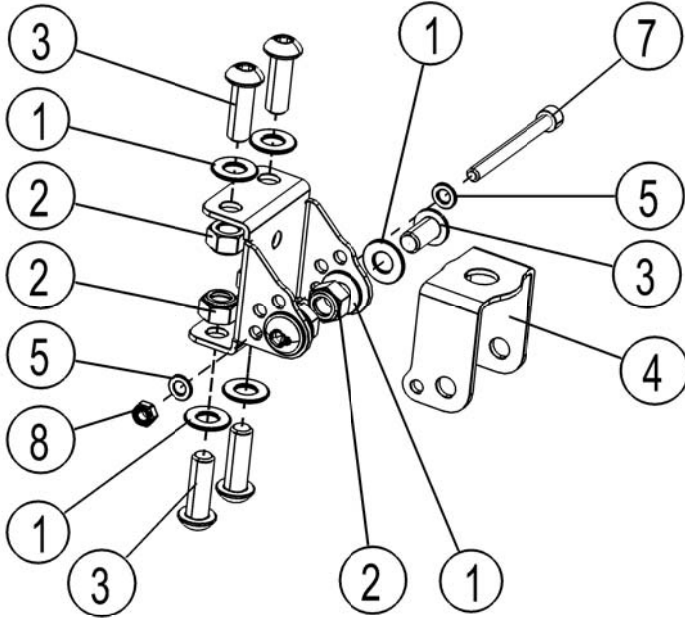
**IMPORTANT WARNING!**

**IT IS CRITICAL THAT ALL FRONT RUNNER PRODUCTS BE PROPERLY AND SECURELY ASSEMBLED AND ATTACHED TO YOUR VEHICLE. IMPROPER ATTACHMENT COULD RESULT IN AN AUTOMOBILE ACCIDENT, AND COULD CAUSE SERIOUS BODILY INJURY OR DEATH TO YOU OR TO OTHERS. YOU ARE RESPONSIBLE FOR ASSEMBLING AND SECURING ALL FRONT RUNNER PRODUCTS TO YOUR VEHICLE, CHECKING THE ATTACHMENTS PRIOR TO USE, AND PERIODICALLY INSPECTING THE PRODUCTS FOR ADJUSTMENT, WEAR, AND DAMAGE. THEREFORE, YOU MUST READ AND UNDERSTAND ALL OF THE INSTRUCTIONS AND CAUTIONS SUPPLIED WITH YOUR FRONT RUNNER PRODUCT PRIOR TO INSTALLATION OR USE. IF YOU DO NOT UNDERSTAND ALL OF THE INSTRUCTIONS AND CAUTIONS, OR IF YOU HAVE NO MECHANICAL EXPERIENCE AND ARE NOT THOROUGHLY FAMILIAR WITH THE INSTALLATION PROCEDURES, YOU SHOULD HAVE THE PRODUCT INSTALLED BY A PROFESSIONAL INSTALLER OR OTHER QUALIFIED PERSONNEL.**

# 1 GET ORGANIZED

## SLIMLINE II RACK

Here is what you are looking at:



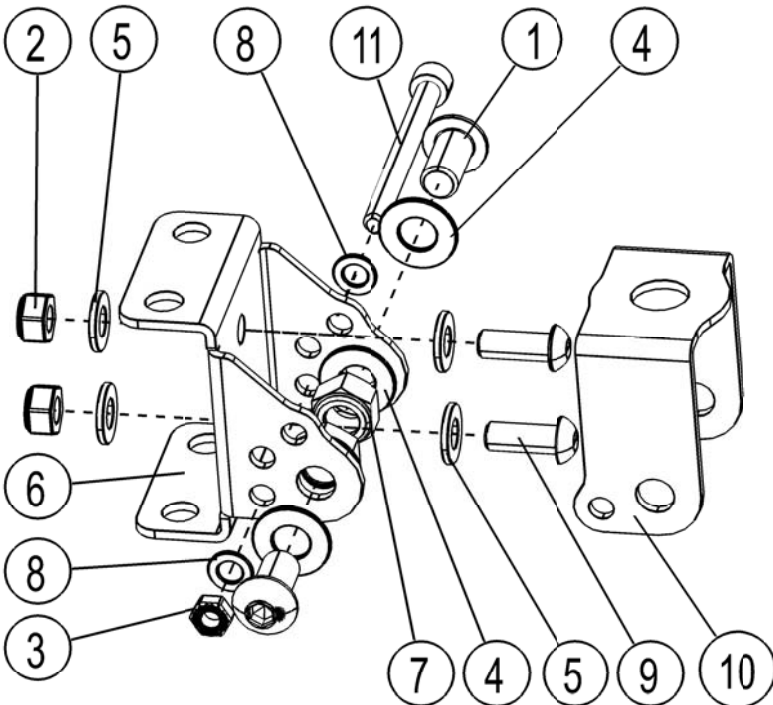
you will need:

- a Front Runner roof rack
- a 13 mm flat wrench
- a 5mm Allen key
- a 4mm Allen key

Item #	Quantity	Description
1	8	M8 FLAT WASHER_BOTTOM
2	6	M8 NYLOC NUT
3	6	M8 X 16 BUTTON HEAD BOLT
4	1	SPOT LIGHT MOUNTING BRACKET
5	2	M5 FLAT WASHER
6	1	RACK MOUNTING BRACKET
7	1	M5 X 60 ALLEN CAP BOLT
8	1	M5 NYLOC NUT

## SLIMLINE RACK

Here is what you are looking at:



you will need:

- a Front Runner roof rack
- a 10 & 13 mm flat wrench
- a 4 & 5mm Allen key
- a drill machine
- a 6mm drill bit
- a suitable marking pen

Item #	Quantity	Description
1	2	M8 X 16 BUTTON HEAD BOLT
2	2	M6 NYLOC NUT
3	1	M5 NYLOC NUT
4	4	M8 FLAT WASHER
5	4	M6 FLAT WASHER
6	1	RACK MOUNTING BRACKET
7	2	M8 NYLOC NUT
8	2	M5 FLAT WASHER
9	2	M6 X 16 BUTTON HEAD BOLT
10	1	SPOT LIGHT MOUNTING BRACKET
11	1	M5 x 60 ALLEN CAP BOLT

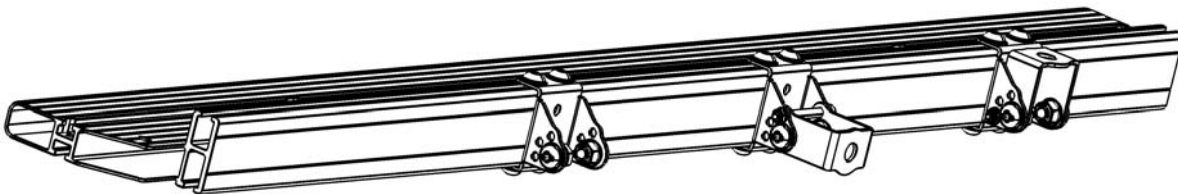
## 2 FIT SPOT LIGHT BRACKET SLIMLINE II RACK

- (A) Loosely assemble the spotlight bracket as per exploded view in section 1.

Remove a relevant corner from the rack by loosening the M5 Button head bolt with a 4mm Hex key and sliding the corner off.

Slide the four Nyloc Nuts into the top and bottom T-slots of the rack and slide the bracket into required position. Fasten all bolts securely using 5mm Hex key and 13mm wrench.

The angle of the bracket can be adjusted for various light mounting options by removing the M5 x 60 Allen Cap Bolt, and selecting one of the three various 5mm locating holes.



## 3 FIT SPOT LIGHT BRACKET SLIMLINE RACK

- (A) Loosely assemble the spotlight bracket as per exploded view in section 1, except items 2, 5 and 9.

Place the spotlight bracket over the side rail of rack in desired position and mark the location of the two 6mm holes with your marking pen. Using your drill and 6mm drill bit, drill the two holes you have just marked on the rack.

Bolt the Bracket into position using the M6 x 16 Button Head Bolts, M6 Flat Washers and Nyloc Nuts (items 2, 5 & 9).

The angle of the bracket can be adjusted for various light mounting options by removing the M5 x 60 Allen Cap Bolt, and selecting one of the three various 5mm locating holes.

