

## READ ME !

Thank you for purchasing a Front Runner Roof Rack Spotlight Bracket.  
Before you start, take a moment to familiarize yourself with the Fitting Instructions and the included components.  
Refer to Page 2 for a list of all the components, quantities and tools required.

## IMPORTANT WARNING!

IT IS CRITICAL THAT ALL FRONT RUNNER PRODUCTS BE PROPERLY AND SECURELY ASSEMBLED AND ATTACHED TO YOUR VEHICLE. IMPROPER ATTACHMENT COULD RESULT IN AN AUTOMOBILE ACCIDENT, AND COULD CAUSE SERIOUS BODILY INJURY OR DEATH. YOU ARE RESPONSIBLE FOR ASSEMBLING AND SECURING ALL FRONT RUNNER PRODUCTS TO YOUR VEHICLE, CHECKING THE ATTACHMENTS PRIOR TO USE, AND PERIODICALLY INSPECTING THE PRODUCTS FOR ADJUSTMENT, WEAR AND DAMAGE. THEREFORE, YOU MUST READ AND UNDERSTAND ALL OF THE INSTRUCTIONS AND PRECAUTIONS SUPPLIED WITH YOUR FRONT RUNNER PRODUCT PRIOR TO INSTALLATION OR USE. IF YOU DO NOT UNDERSTAND ALL OF THE INSTRUCTIONS AND CAUTIONS, OR IF YOU HAVE NO MECHANICAL EXPERIENCE AND ARE NOT THOROUGHLY FAMILIAR WITH THE INSTALLATION PROCEDURES, YOU SHOULD HAVE THE PRODUCT INSTALLED BY A PROFESSIONAL INSTALLER OR OTHER QUALIFIED PERSONNEL.

**NOTE:** Front Runner will not be responsible for any damage caused by the failure to install the product according to these instructions.  
Please call us if you have any questions about the installation of this product.



CHECK ONLINE FOR THE LATEST FITMENT GUIDE

# 1 GET ORGANIZED

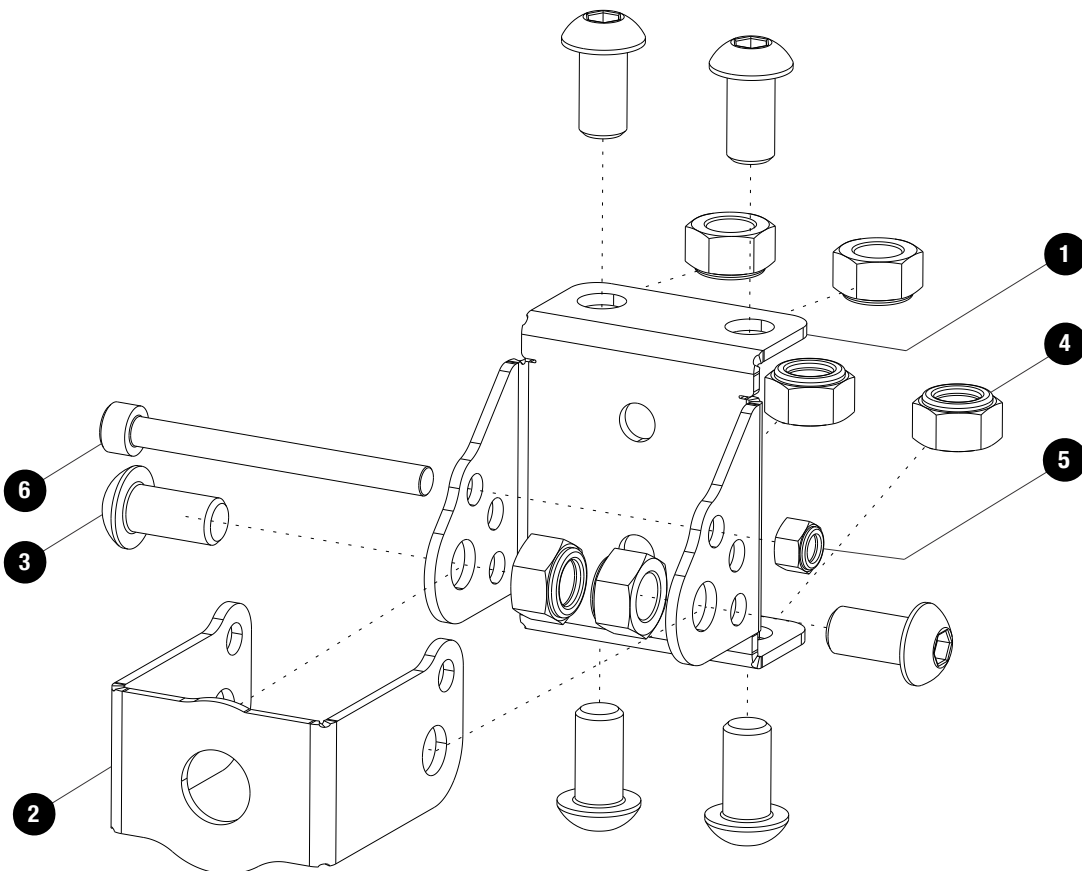
## IN THE BOX

1	2 X	Rack Mounting Bracket
2	2 X	Spot Light Mounting Bracket
3	12 X	M8x16 Button Head
4	12 X	M8 Nyloc Nut
5	2 X	M5 Nyloc Nut
6	2 X	M5x60 Cap Screw Bolt

## TOOLS NEEDED



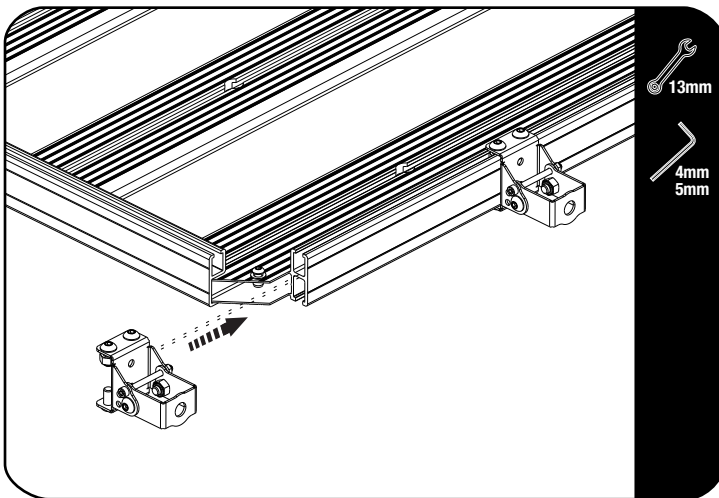
FIGURE 1.1



2

**FIT AND SECURE**

2.1



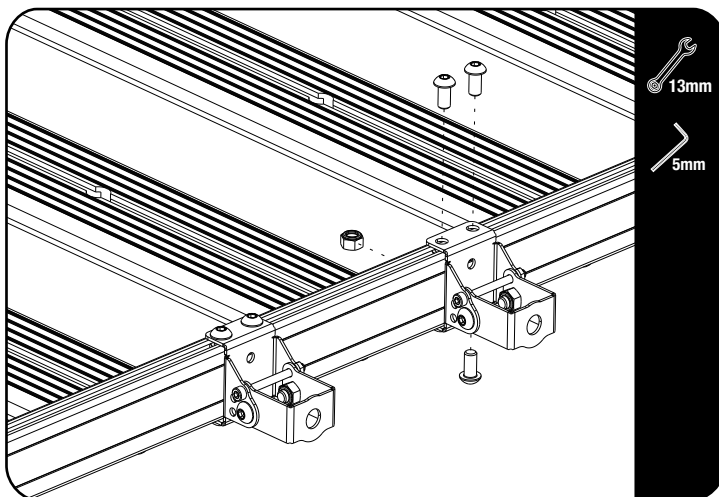
**FITTING TO THE COMBINED SLAT (FRONT & BACK)**

Loosely assemble the spotlight bracket as per the exploded view in Figure 1.1.

Remove the relevant corner from the rack by loosening the M6 Button head bolt with a 4mm Hex key and sliding the corner off.

Slide in two Nyloc Nuts per bracket into the top T-slot and two Nyloc Nuts per bracket into the bottom T-slot of the rack. Slide the bracket into the required position.

2.2



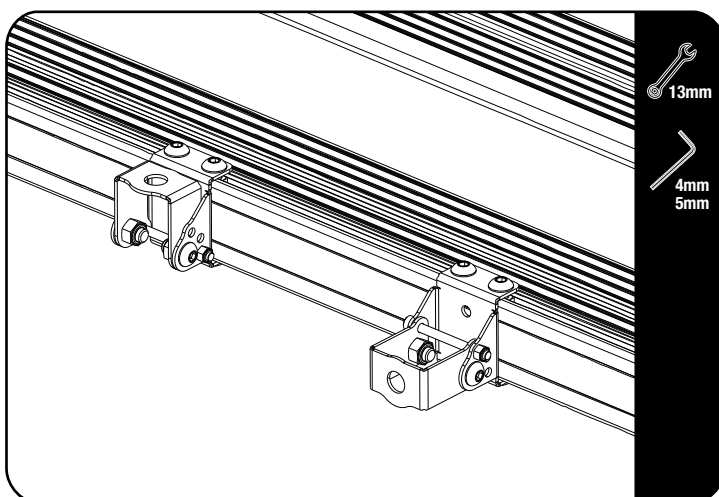
**FITTING TO THE SIDE PROFILE (LEFT & RIGHT)**

Remove the relevant corner from the rack by loosening the M6 Button head bolt with a 4mm Hex key and sliding the corner off.

Slide two Nyloc Nuts per bracket into the top T-slot of the side profile and position the bracket.

Align one of the open lower holes between the slats with the bottom of the bracket. Fasten with an M8x16 button head & Nyloc Nut. (item 3 & 4)

2.2



Fasten all bolts securely using a 5mm Hex key and 13mm wrench.

The angle of the bracket can be adjusted for various light mounting options by removing the M5 x 60 Allen Cap Bolt, and selecting one of the three various 5mm locating holes.

⚠ Ensure that the mounting bracket (item 1) is fastened to the rack at the top and bottom.

**3**

## **FINISH**

Congratulations! You did it. Take a step back and admire your work!

**4**

## **INSTALL OTHER VEHICLE AND RACK ACCESSORIES**

Now's the time to visit your favorite Front Runner Dealer in person or online.