



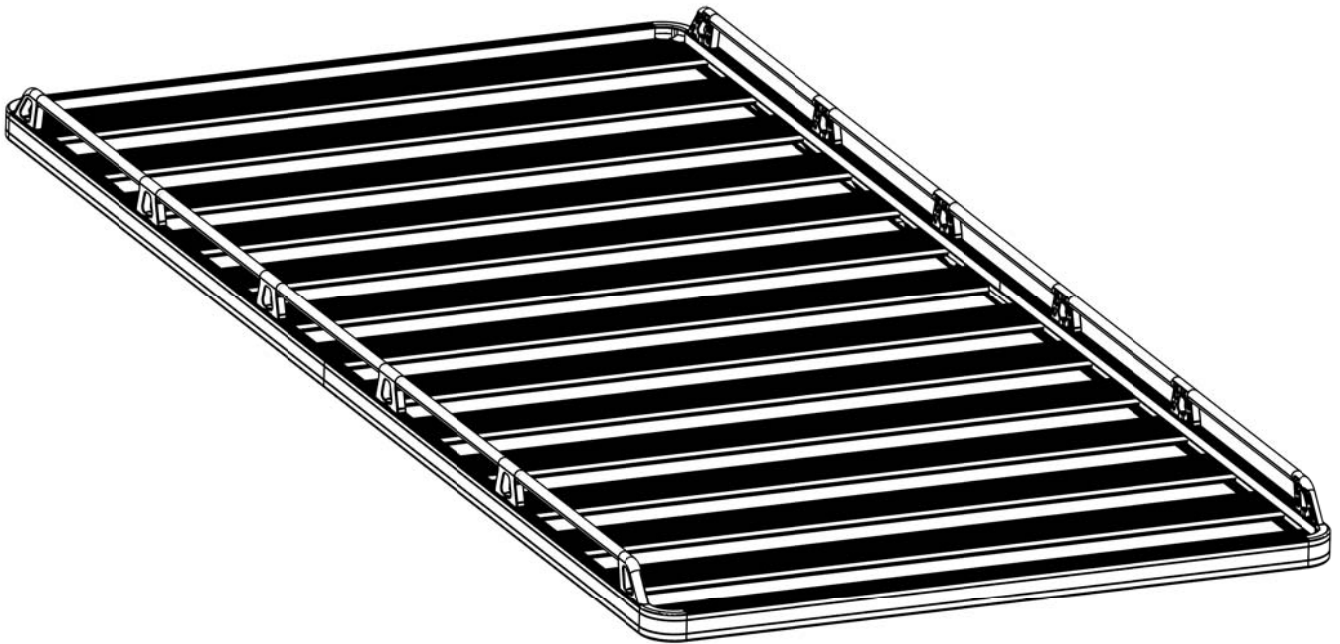
**FRONT RUNNER**

**EXPEDITION RAIL SIDE KIT  
14 SLAT RACK**

KRXS014



**INSTALL TIME: 15 mins**



**IMPORTANT WARNING!**

**IT IS CRITICAL THAT ALL FRONT RUNNER PRODUCTS BE PROPERLY AND SECURELY ASSEMBLED AND ATTACHED TO YOUR VEHICLE. IMPROPER ATTACHMENT COULD RESULT IN AN AUTOMOBILE ACCIDENT, AND COULD CAUSE SERIOUS BODILY INJURY OR DEATH TO YOU OR TO OTHERS. YOU ARE RESPONSIBLE FOR ASSEMBLING AND SECURING ALL FRONT RUNNER PRODUCTS TO YOUR VEHICLE, CHECKING THE ATTACHMENTS PRIOR TO USE, AND PERIODICALLY INSPECTING THE PRODUCTS FOR ADJUSTMENT, WEAR, AND DAMAGE. THEREFORE, YOU MUST READ AND UNDERSTAND ALL OF THE INSTRUCTIONS AND CAUTIONS SUPPLIED WITH YOUR FRONT RUNNER PRODUCT PRIOR TO INSTALLATION OR USE. IF YOU DO NOT UNDERSTAND ALL OF THE INSTRUCTIONS AND CAUTIONS, OR IF YOU HAVE NO MECHANICAL EXPERIENCE AND ARE NOT THOROUGHLY FAMILIAR WITH THE INSTALLATION PROCEDURES, YOU SHOULD HAVE THE PRODUCT INSTALLED BY A PROFESSIONAL INSTALLER OR OTHER QUALIFIED PERSONNEL.**

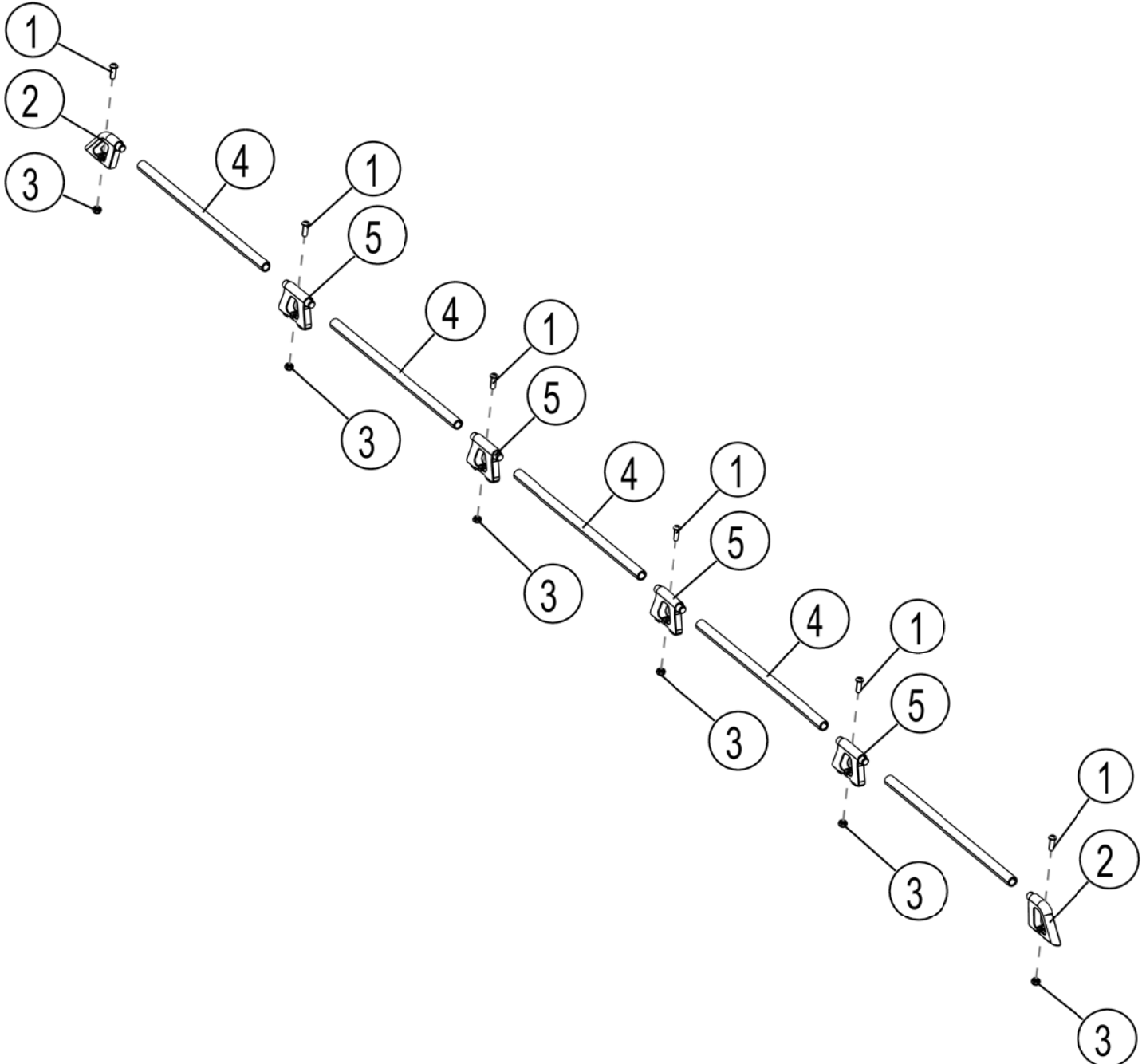
# 1 GET ORGANIZED

Here is what you are looking at:

Item #	Quantity	Description
1	12	M8 x 25 BUTTON HEAD BOLT
2	4	END PIECE - 2 LEFT, 2 RIGHT
3	12	M8 NYLOC NUT
4	10	PIPE - 435mm LONG
5	8	JOINER

You will need:

- 5 mm Hex Key (Preferably Ball Type)
- Tape Measure

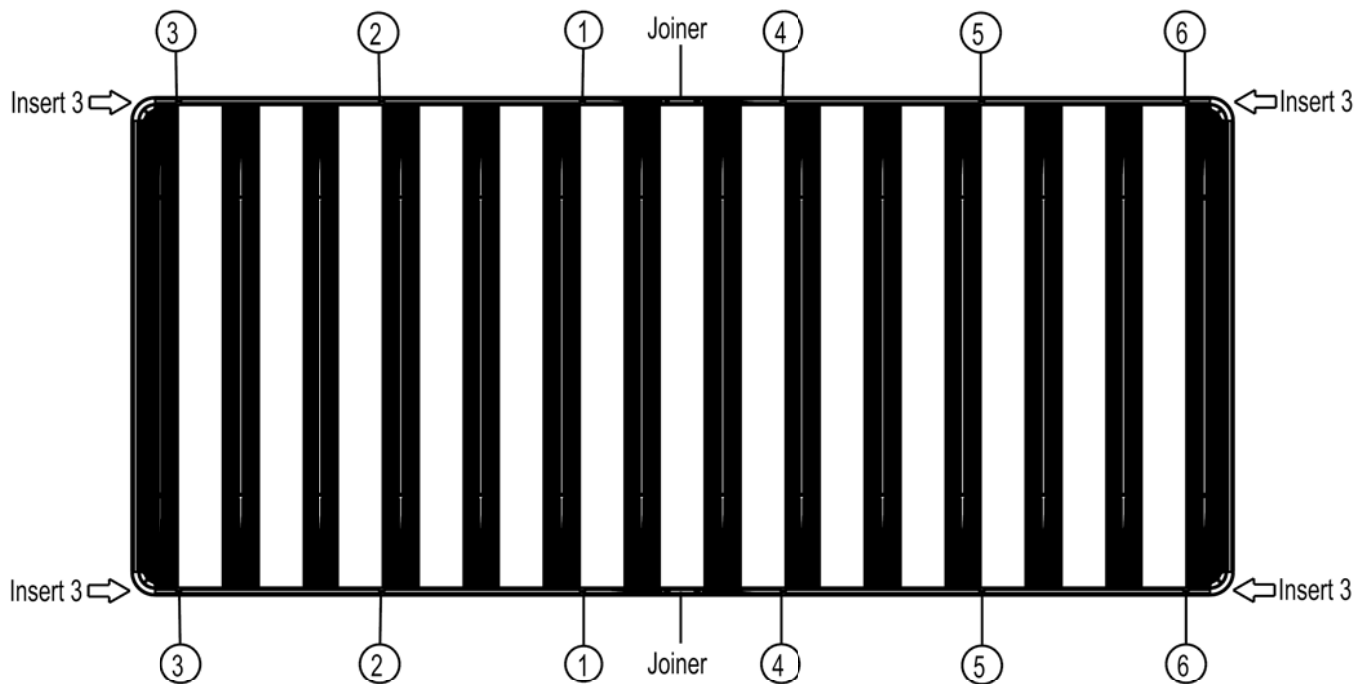
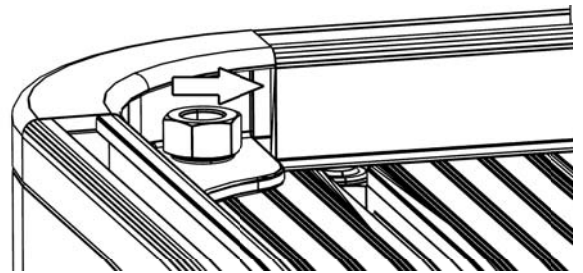


(A) Familiarize yourself with the parts and then step away from the work area and read through these instructions from beginning to end. Take a moment as a little prep now may save you a lot of time later.

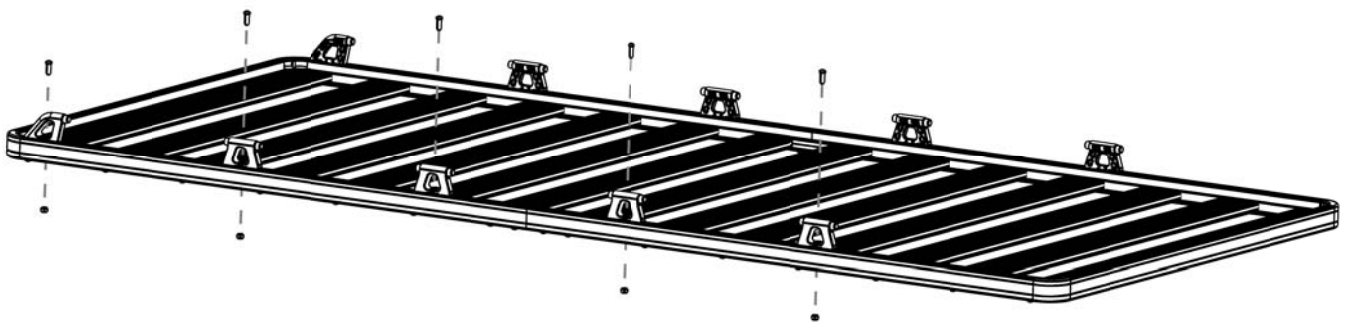
## 2

### FIT YOUR SIDE RAILS

- (A) Slide six M8 Nyloc Nuts (Item 3) dome side down into the U-channel that runs down each side of the Rack through the gap in the corner of the Rack as shown to the right. Due to the joint in the Rack you will need to slide three nuts from one corner and three nuts from the opposite corner as shown. Position the six nuts each side as indicated by the balloons.



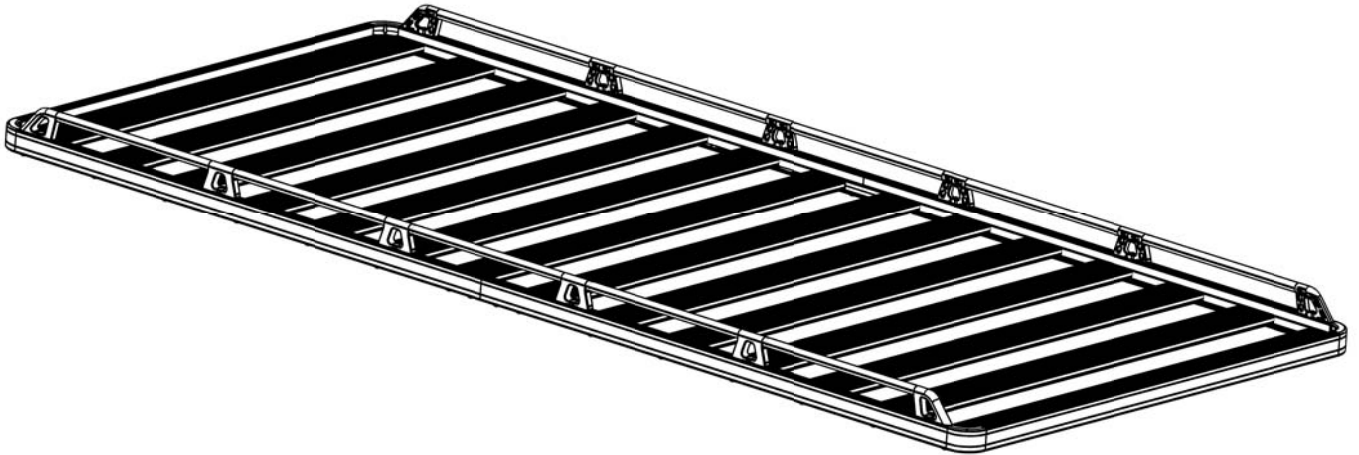
- (B) Place one End Piece and the Joiner Pieces (Items 2, 5) onto either side of the Rack, making sure that the "Feet" of the End and Joiner Pieces sit inside the U-channel as shown. Line up the mounting holes in the End and Joiner Pieces with the Nyloc Nuts inserted in Step 2A and loosely secure them to the Rack using the M8 x 25 Button Head Bolts (Item 1) supplied.



**2**

## **FIT YOUR SIDE RAILS**

- ( C )** Fit the Pipes (Item 4) between the End Pieces and Joiners. Loosely fit and secure the remaining End Pieces. Center the Side Rail assemblies left to right and tighten all bolts.



- ( D )** Congratulations, you have completed your installation. Take a step back and admire your work. Good Job!

**3**

## **INSTALL OTHER VEHICLE AND RACK ACCESSORIES**