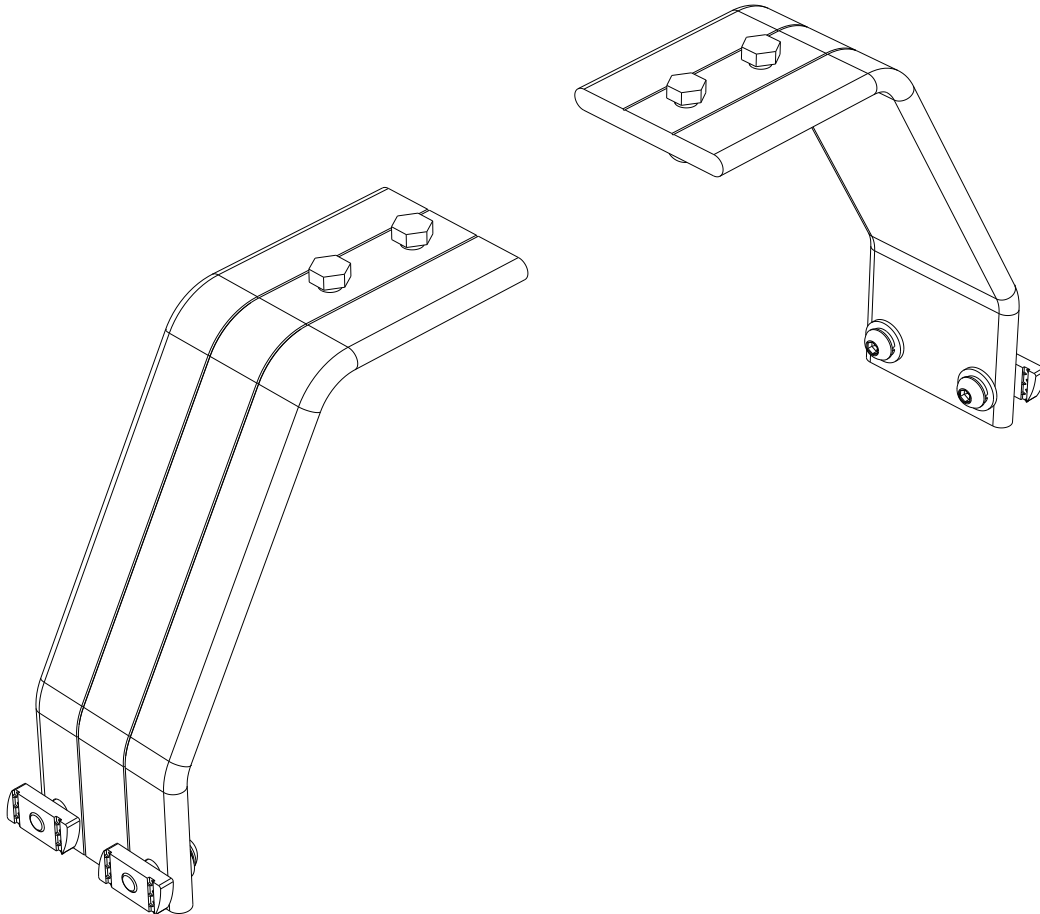




**FRONT RUNNER**  
VEHICLE OUTFITTERS

## UNIVERSAL LOAD BED LEGS 188MM (PAIR)

LASS026



### READ ME !

Thank you for purchasing a Front Runner Universal Load Bed Legs.

Before you start, take a moment to familiarize yourself with the Fitting Instructions and the components received.

Refer to Page 2 for a list of all the components, quantities and tools required.

### IMPORTANT WARNING!

IT IS CRITICAL THAT ALL FRONT RUNNER PRODUCTS BE PROPERLY AND SECURELY ASSEMBLED AND ATTACHED TO YOUR VEHICLE. IMPROPER ATTACHMENT COULD RESULT IN AN AUTOMOBILE ACCIDENT, AND COULD CAUSE SERIOUS BODILY INJURY OR DEATH. YOU ARE RESPONSIBLE FOR ASSEMBLING AND SECURING ALL FRONT RUNNER PRODUCTS TO YOUR VEHICLE, CHECKING THE ATTACHMENTS PRIOR TO USE, AND PERIODICALLY INSPECTING THE PRODUCTS FOR ADJUSTMENT, WEAR AND DAMAGE. THEREFORE, YOU MUST READ AND UNDERSTAND ALL OF THE INSTRUCTIONS AND PRECAUTIONS SUPPLIED WITH YOUR FRONT RUNNER PRODUCT PRIOR TO INSTALLATION OR USE. IF YOU DO NOT UNDERSTAND ALL OF THE INSTRUCTIONS AND CAUTIONS, OR IF YOU HAVE NO MECHANICAL EXPERIENCE AND ARE NOT THOROUGHLY FAMILIAR WITH THE INSTALLATION PROCEDURES, YOU SHOULD HAVE THE PRODUCT INSTALLED BY A PROFESSIONAL INSTALLER OR OTHER QUALIFIED PERSONNEL.

**NOTE:** Front Runner will not be responsible for any damage caused by the failure to install the product according to these instructions.

# 1

## GET ORGANIZED

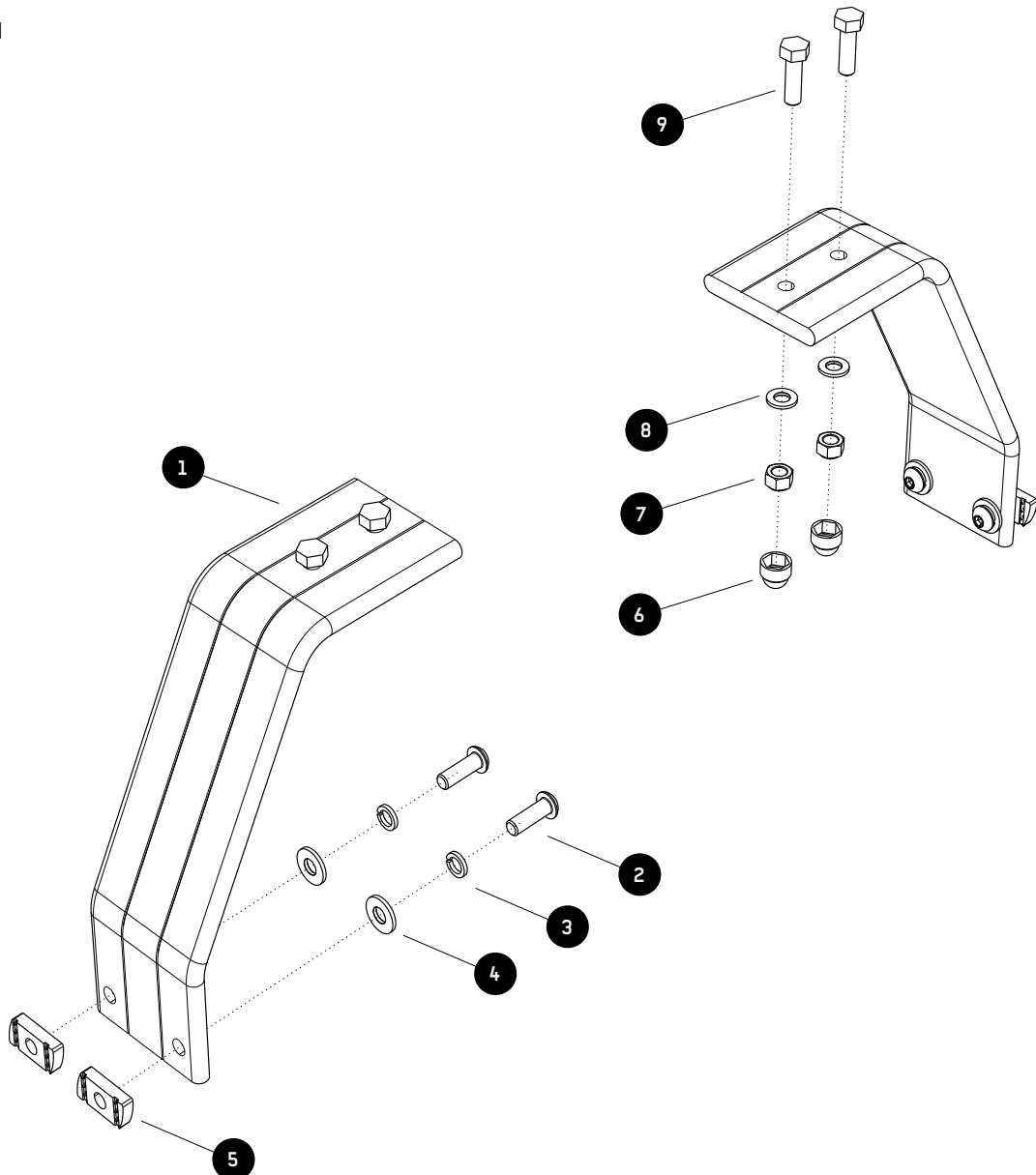
### IN THE BOX

1	2 X	Leg
2	4 X	M8 x 25 Button Head Bolt
3	4 X	M8 Spring Washer
4	4 X	M8 x 19 x 2SS Flat Washer
5	4 X	M8 Channel Nut
6	4 X	M8 Nut Cap
7	4 X	M8 Nyloc Nut
8	4 X	M8 x 16 x 1.6SS Flat Washer
9	4 X	M8 x 25 Hex Bolt

### TOOLS NEEDED



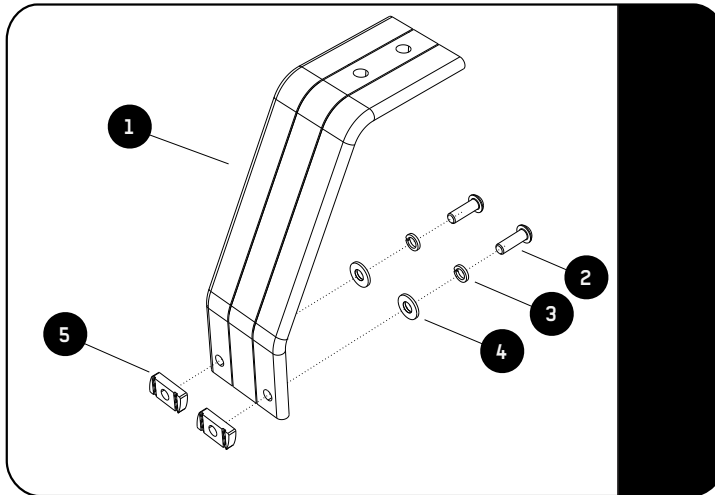
FIGURE 1.1



## 2

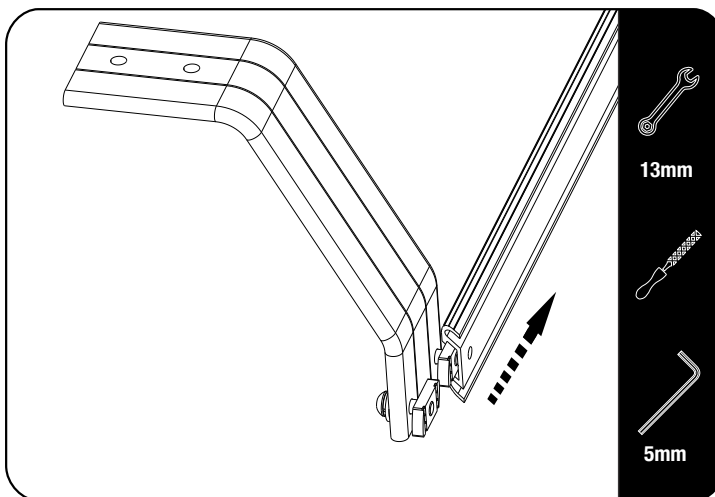
## FIT AND SECURE

2.1



Loosely assemble the M8 Channel Nuts (Item 5) to the Legs (Item 1) using M8 x 25 Button Head Bolts, M8 Spring Washers and M8 x 25 x 2SS Flat Washers (Items 2, 3 & 4) as shown.

2.2



Slide the required number of Leg Assemblies into the Universal Load Bed Track as shown.

In some cases the Channel Nut may need dressing with a file to remove high spots and to insure it slides smoothly in the track.

The M8 Channel Nut will rotate at an angle in the Track when fastening.

The remaining fasteners will be used when mounting your Load Bars or Tray to the Universal Load Bed Legs.

## 3

## FINISH

Congratulations! You did it. Take a step back and admire your work!

## 4

## INSTALL OTHER VEHICLE AND RACK ACCESSORIES

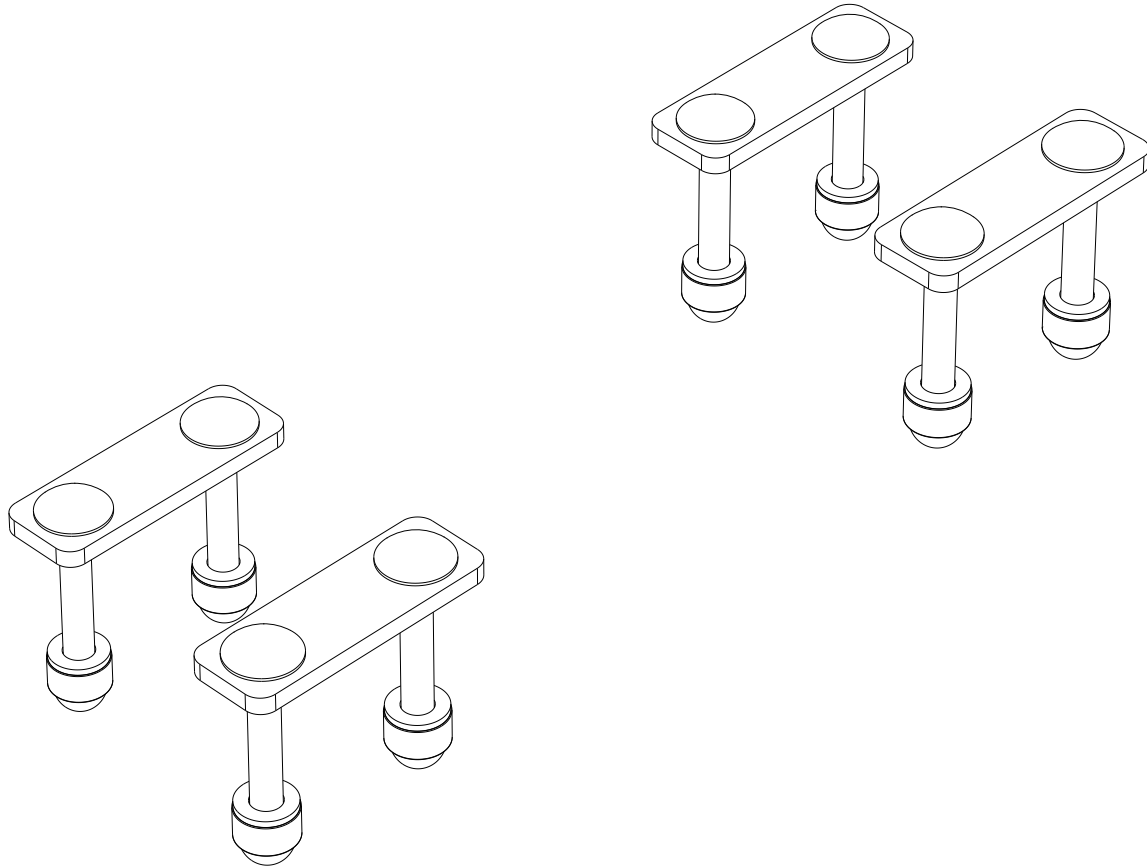


**FRONT RUNNER**  
VEHICLE OUTFITTERS

## LOAD BED NUT KIT

TOYOTA TACOMA 2004+ / TUNDRA 2007+

RRAC901



### READ ME !

Thank you for purchasing a Front Runner Load Bed Nut Kit.

Before you start, take a moment to familiarize yourself with the Fitting Instructions and the components received.

Refer to Page 2 for a list of all the components, quantities and tools required.

**NOTE:** Front Runner will not be responsible for any damage caused by the failure to install the product according to these instructions.

### IMPORTANT WARNING!

FRONT RUNNER CAN NOT RECOMMEND A MAXIMUM LOAD CARRYING CAPACITY. PLEASE REFER TO YOUR VEHICLE MANUFACTURER'S RECOMMENDATIONS. IT IS CRITICAL THAT ALL FRONT RUNNER PRODUCTS BE PROPERLY AND SECURELY ASSEMBLED AND ATTACHED TO YOUR VEHICLE. IMPROPER ATTACHMENT COULD RESULT IN AN AUTOMOBILE ACCIDENT, AND COULD CAUSE SERIOUS BODILY INJURY OR DEATH. YOU ARE RESPONSIBLE FOR ASSEMBLING AND SECURING ALL FRONT RUNNER PRODUCTS TO YOUR VEHICLE. CHECKING THE ATTACHMENTS PRIOR TO USE, AND PERIODICALLY INSPECTING THE PRODUCTS FOR ADJUSTMENT, WEAR AND DAMAGE. THEREFORE YOU MUST READ AND UNDERSTAND ALL OF THE INSTRUCTIONS AND PRECAUTIONS SUPPLIED WITH YOUR FRONT RUNNER PRODUCT PRIOR TO INSTALLATION OR USE. IF YOU DO NOT UNDERSTAND ALL OF THE INSTRUCTIONS AND CAUTIONS, OR IF YOU HAVE NO MECHANICAL EXPERIENCE AND ARE NOT THOROUGHLY FAMILIAR WITH THE INSTALLATION PROCEDURES, YOU SHOULD HAVE THE PRODUCT INSTALLED BY A PROFESSIONAL INSTALLER OR OTHER QUALIFIED PERSONNEL.

1

# GET ORGANIZED

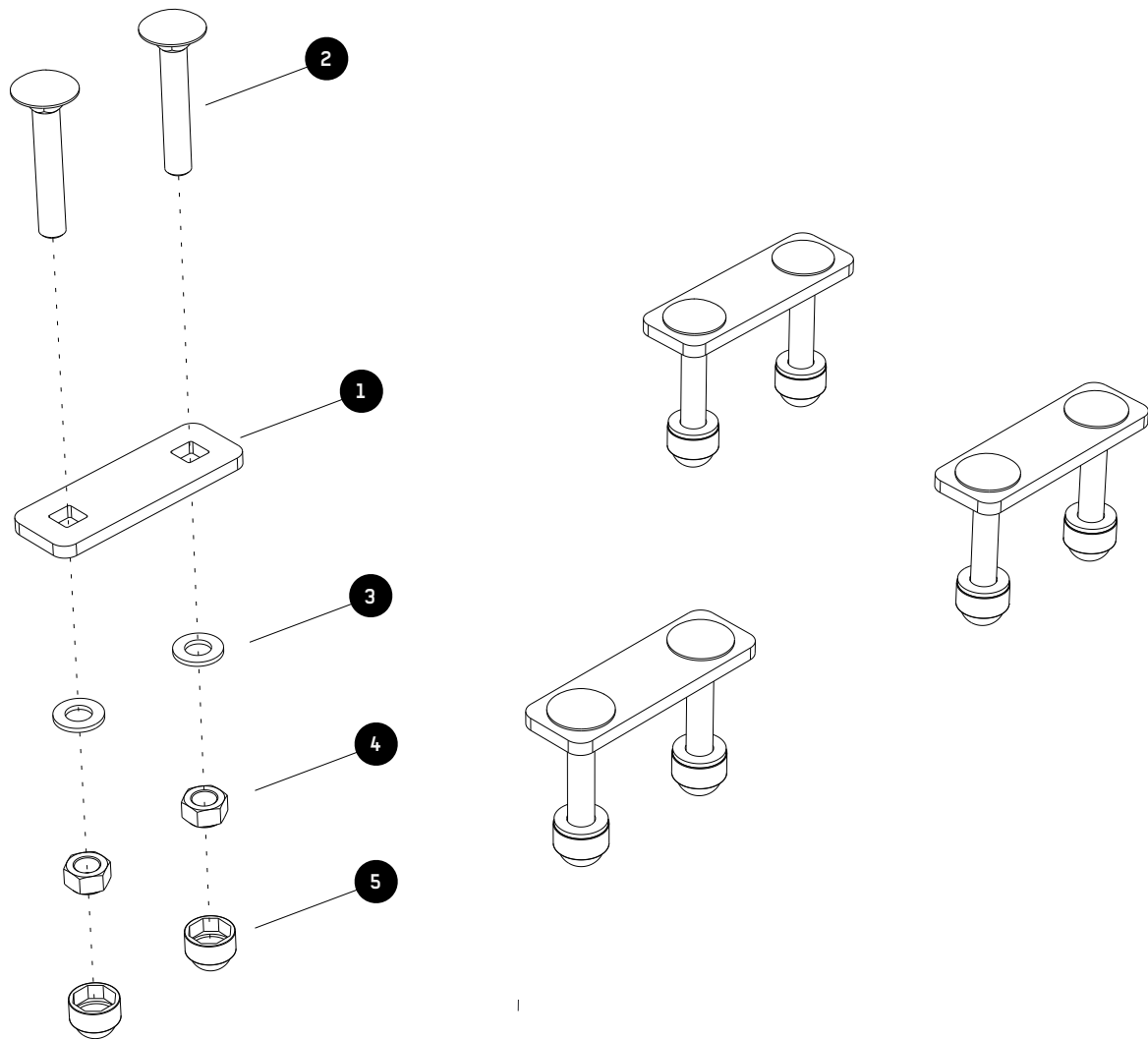
## IN THE BOX

1	4 X	M8 Bolt Plate
2	8 X	M8 x 40 Carriage Bolt
3	8 X	M8 x 16 x 1.6SS Flat Washer
4	8 X	M8 Nyloc Nut
5	8 X	M8 Nut Cap

## TOOLS NEEDED



FIGURE 1.1

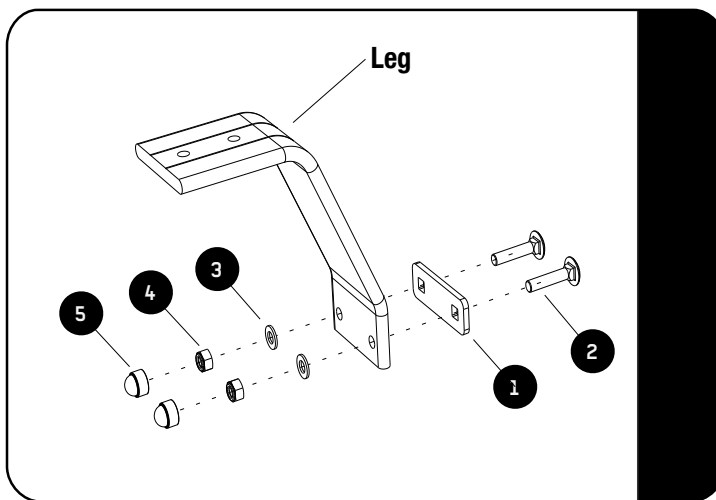



**2****FIT AND SECURE A SLIMLINE II TRAY****2.1**

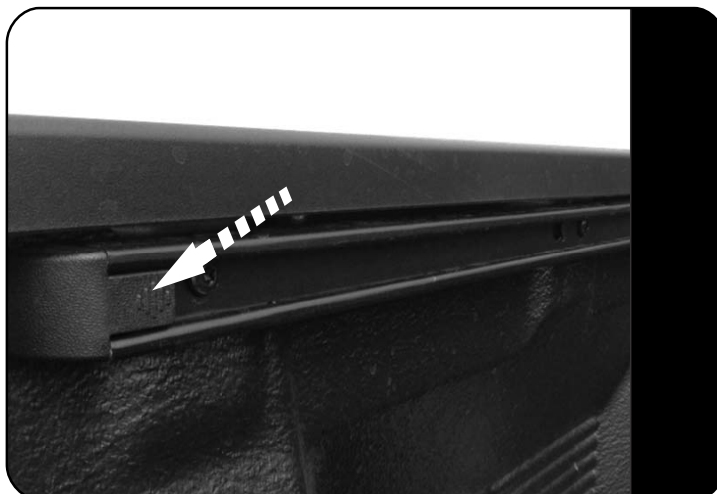
When assembling the Legs, discard the Fitting Instructions received with the Legs (Document LASS026) and assemble the Legs as per Assembly Instructions received with your Nut Kit (RRAC901).

Not all of the components received with the Legs will be used as they will be replaced by the Nut Kit.

If your Slimline II Tray is not already assembled, assemble it as per the Slimline II Tray Universal Fitting Instructions (Document RRSUNI)

**2.2**

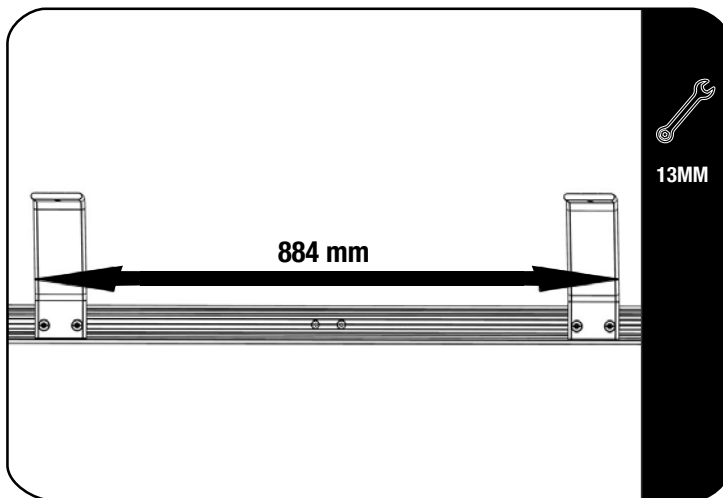
 Loosely assemble the M8 Bolt Plate (Item 1) to the Legs LASS026 (not supplied) using two M8 x 40 Carriage Bolts, two M8 x 16 x 1.6SS Flat Washer and two M8 Nyloc Nuts (Items 2, 3 & 4) as shown.

**2.3**

 Remove the End Cap in the Load Bed as shown and slide two Leg Assemblies into each Rail.

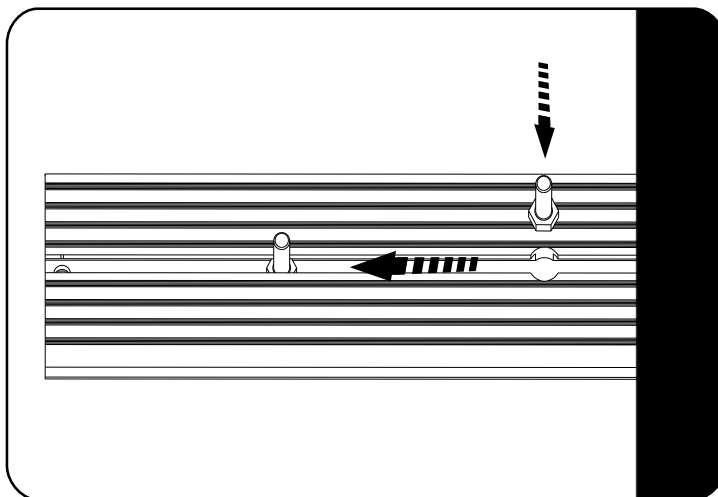
## FIT AND SECURE A SLIMLINE II TRAY

2.4



Adjust the two Legs on either side of the midpoint of the rails so that they are 884 mm apart - outside to outside as shown.

2.5



With the Rack in the upside down position (Product Sticker should be upside down), slide two M8 x 25 Hex Bolt supplied with the Legs (LASS026) into each end of the Slats using the machined slots as shown.

The Legs will be mounted to the second Slat front and back.

See 4.1 for a picture.

2.6

Flip the Rack end-over-end so that the bolts are facing down. Approach the vehicle from the rear, lifting the Rack above the Legs. Slowly lower the Rack, lining up the bolts in the Rack with the holes in the Legs. You may need to adjust the position of the legs.

Position the Rack front to back and tighten the bolts to secure the Legs to the Tracks.

Place the M8 Flat Washers and M8 Nyloc Nuts onto the bolts, securing the Rack to the Legs and hand tighten. Center the Rack left to right. Apply weight/downward pressure to the Rack so that the Slats are sitting flush onto the Legs and Fasten the M8 Nyloc Nuts securing the Rack to the Legs.

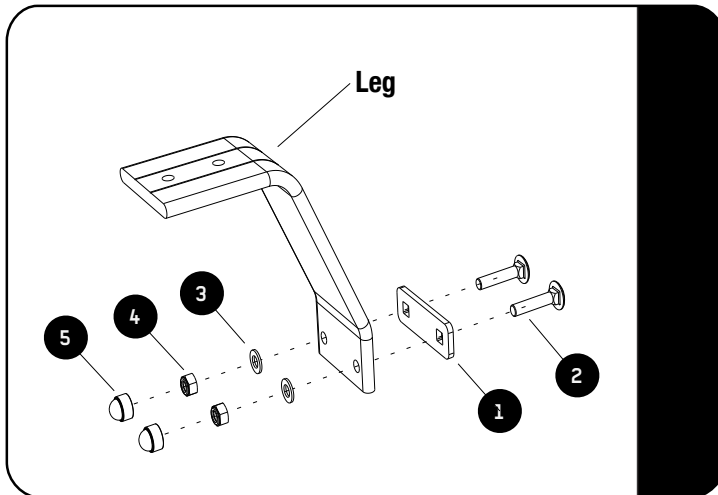
Place the M8 Nuts Cups over all the M8 Nyloc Nuts.

**3****FIT AND SECURE LOAD BARS****3.1**

When assembling the Legs, discard the Fitting Instructions received with the Legs (Document LASS026) and assemble the Legs as per Assembly Instructions received with your Nut Kit (RRAC901).

Not all the components received with the Legs will be used as they will be replaced by the Nut Kit.

If your Slimline II Tray is not already assembled, assemble it as per the Slimline II Tray Universal Fitting Instructions (Document RRSUNI)

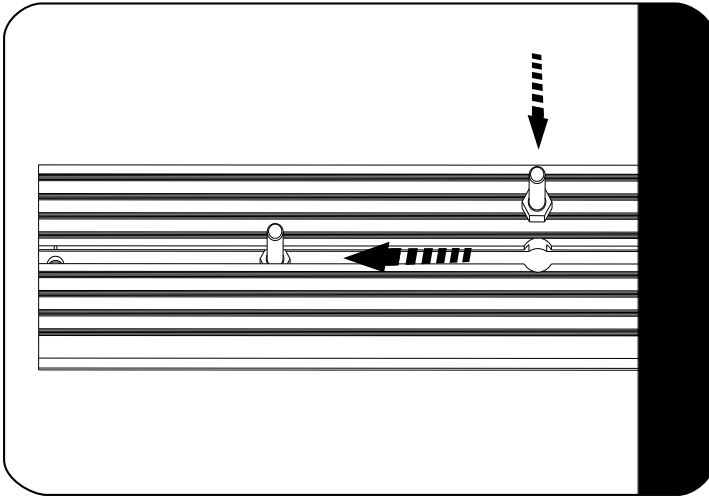
**3.2**

Loosely assemble the M8 Bolt Plate (Item 1) to the Legs LASS026 (not supplied) using two M8 x 40 Carriage Bolts, two M8 x 16 x 1.6SS Flat Washer and two M8 Nyloc Nuts (Items 2, 3 & 4) as shown.

**3.3**

Remove the End Cap shown and slide two Leg Assemblies into each Rail.



**3****FIT AND SECURE LOAD BARS****3.4**

 Slide two M8 x 25 Hex Bolts, supplied with the Legs (LASS026), into each end of the Slat using the machined slots as shown.

**3.5**

Position the Load Bed Legs as required and secure in position. Turn the Load Bars over so that the Bolts, inserted in Step 3.4, are facing down. Lower the Load Bars onto the Legs, lining up the bolts in the Load Bars with the holes in the Legs. You may need to adjust the position of the Bolts.

Place the M8 Flat Washers and M8 Nyloc Nuts onto the bolts securing the Rack to the Legs and hand tighten. Center the Rack left to right. Apply weight/downward pressure to the Rack so that the Slats are sitting flush onto the Legs and Fasten the M8 Nyloc Nuts securing the Rack to the Legs.

Place the M8 Nuts Cups over all the M8 Nyloc Nuts.

**4**

## COMPLETION

4.1



**Congratulations! You did it. Take a step back and admire your work!**

**5**

## INSTALL OTHER VEHICLE AND RACK ACCESSORIES