

**READ ME !** ⚠

Thank you for purchasing a Front Runner Between Slat Foot Adaptor.

Before you start, take a moment to familiarize yourself with the Fitting Instructions and the components received.

Refer to Page 2 for a list of all the components, quantities and tools required.

**IMPORTANT WARNING!** ⚠

FRONT RUNNER CAN NOT RECOMMEND A MAXIMUM LOAD CARRYING CAPACITY. PLEASE REFER TO YOUR VEHICLE MANUFACTURER'S RECOMMENDATIONS. IT IS CRITICAL THAT ALL FRONT RUNNER PRODUCTS BE PROPERLY AND SECURELY ASSEMBLED AND ATTACHED TO YOUR VEHICLE. IMPROPER ATTACHMENT COULD RESULT IN AN AUTOMOBILE ACCIDENT, AND COULD CAUSE SERIOUS BODILY INJURY OR DEATH. YOU ARE RESPONSIBLE FOR ASSEMBLING AND SECURING ALL FRONT RUNNER PRODUCTS TO YOUR VEHICLE. CHECKING THE ATTACHMENTS PRIOR TO USE, AND PERIODICALLY INSPECTING THE PRODUCTS FOR ADJUSTMENT, WEAR AND DAMAGE. THEREFORE YOU MUST READ AND UNDERSTAND ALL OF THE INSTRUCTIONS AND PRECAUTIONS SUPPLIED WITH YOUR FRONT RUNNER PRODUCT PRIOR TO INSTALLATION OR USE. IF YOU DO NOT UNDERSTAND ALL OF THE INSTRUCTIONS AND CAUTIONS, OR IF YOU HAVE NO MECHANICAL EXPERIENCE AND ARE NOT THOROUGHLY FAMILIAR WITH THE INSTALLATION PROCEDURES, YOU SHOULD HAVE THE PRODUCT INSTALLED BY A PROFESSIONAL INSTALLER OR OTHER QUALIFIED PERSONNEL.

# 1

## GET ORGANIZED

### IN THE BOX

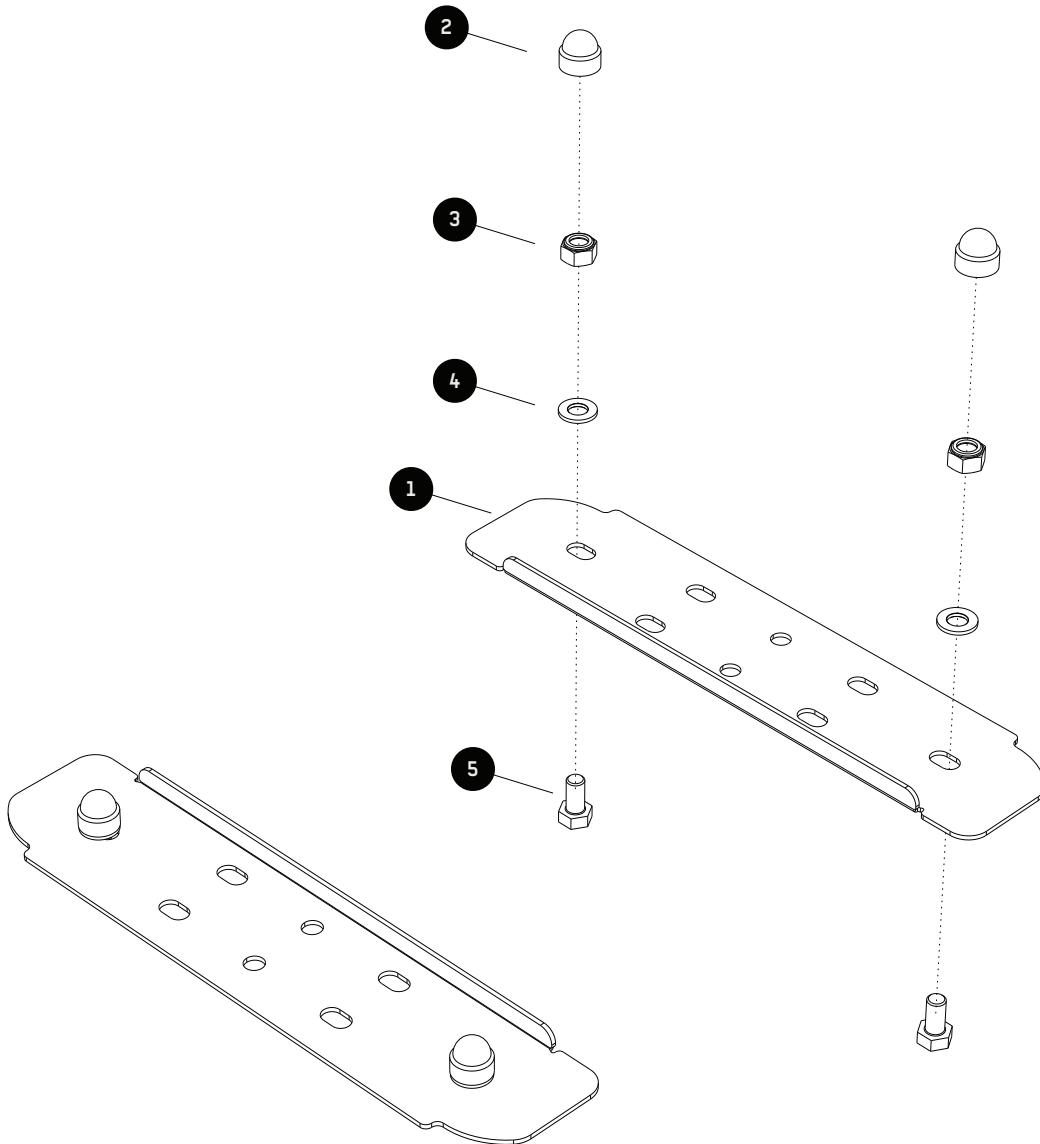
1	2 X	Foot Adaptor
2	4 X	M8 Nut Cap
3	4 X	M8 Nyloc Nut
4	4 X	M8 x 16 x 1.6SS Flat Washer
5	4 X	M8 x 16 Hex Bolt

### TOOLS NEEDED



Certain vehicles may require the Between Slat Foot Adaptor to properly position the feet. In cases where the existing Slat position is not ideal for the mounting of feet, a Between Foot Slat Adaptor should be used.

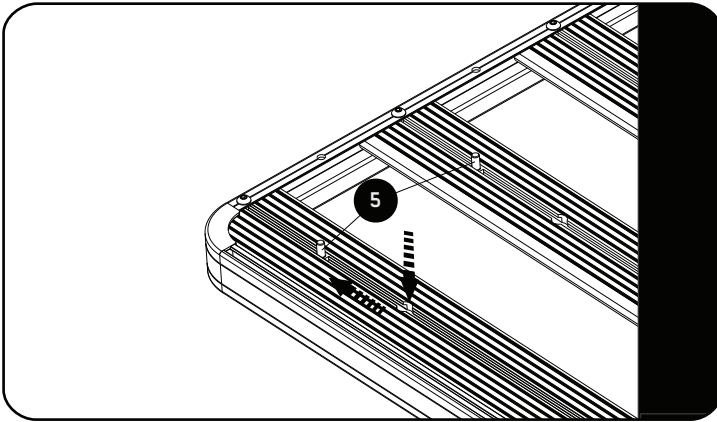
FIGURE 1.1



## 2

## FIT AND SECURE

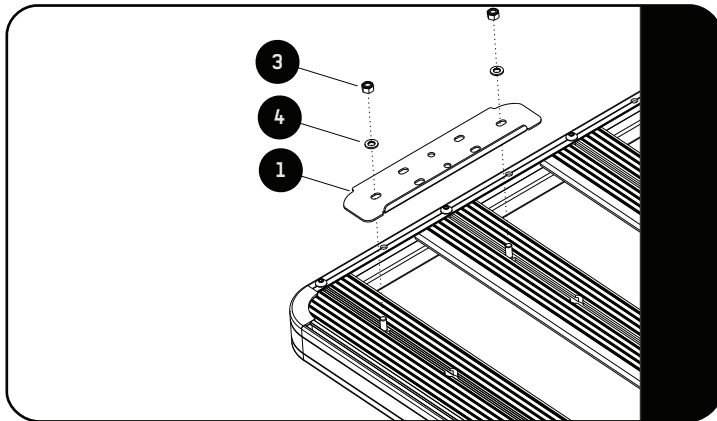
2.1



Slide two M8 x 16 Hex Bolts into the chosen slats.

Repeat this on the opposite side of the Rack.

2.2

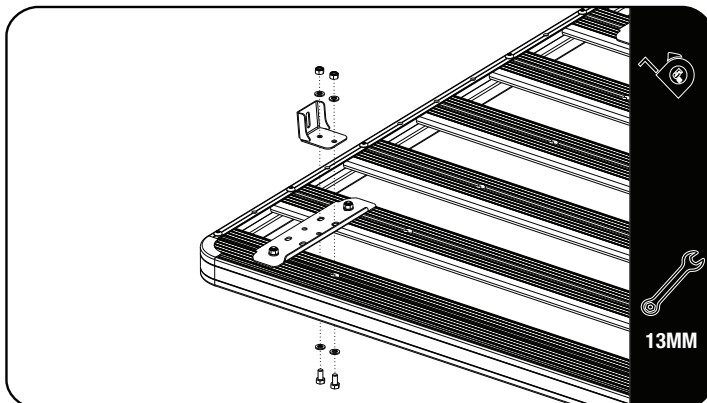


Loosely fit the Between Slat Foot Adaptors (Item 1) using M8 x 16 x 1.6SS Flat Washers and M8 Nyloc Nuts (Items 3 & 4).

## 3

## COMPLETION

3.1



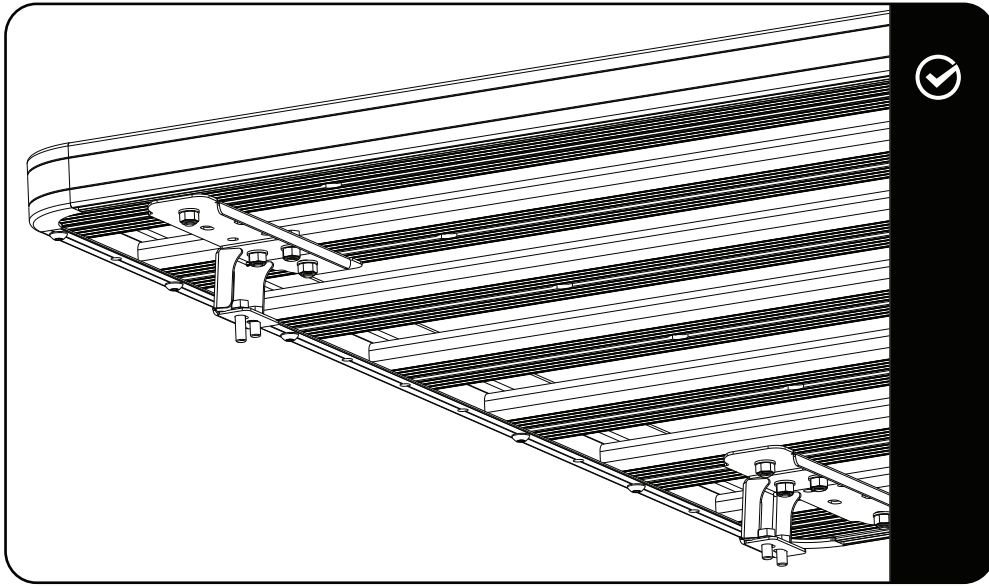
Only fully tighten the the fasteners after you have fitted your Front Runner Feet (Sold Separately ) and centered the Rack on your vehicle.

After fully tightening place M8 Nut Caps (Item 2) over all the fasteners.

3

## COMPLETION

3.2



**Congratulations! You did it. Take a step back and admire your work!**

4





**Front Runner will not be responsible for any damage caused by the failure to install the product according to these instructions. Please call us if you have any questions about the installation of this product.**

5

## INSTALL OTHER VEHICLE AND RACK ACCESSORIES

**Now's the time to visit your favorite Front Runner Dealer in person or Online.**

**Be sure to tag us. We love to see our gear in action! #FrontRunnerOutfitters #BornToRoam**

**Share your adventures on:**    



# START HERE!

## READ ME FIRST

Don't be a hero and muscle through this without first reading these fitting instructions! Improper installation of this gear may void certain aspects of your warranty.

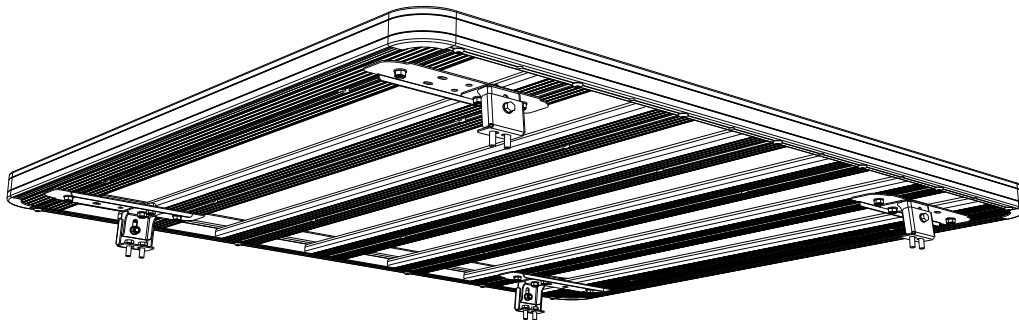
Before you begin, take a moment and open all your Front Runner rack kit boxes and gather the assembly instructions for the various components.

A complete kit will contain:

1. A Front Runner Mounting System specific to your vehicle
2. A Front Runner Rack Tray or Load Bar Slats

This document will guide you through the assembly of the mounting system and assist you in fitting the roof rack tray or load bars to your specific vehicle.

Please refer to the next page for a list of all the components, quantities and tools required.



Front Runner will not be responsible for any damage caused by the failure to install the product according to these instructions. Please call us if you have any questions about the installation of this product.

### IMPORTANT WARNING!

FRONT RUNNER CAN NOT RECOMMEND A MAXIMUM LOAD CARRYING CAPACITY. PLEASE REFER TO YOUR VEHICLE MANUFACTURER'S RECOMMENDATIONS. IT IS CRITICAL THAT ALL FRONT RUNNER PRODUCTS BE PROPERLY AND SECURELY ASSEMBLED AND ATTACHED TO YOUR VEHICLE. IMPROPER ATTACHMENT COULD RESULT IN AN AUTOMOBILE ACCIDENT, AND COULD CAUSE SERIOUS BODILY INJURY OR DEATH. YOU ARE RESPONSIBLE FOR ASSEMBLING AND SECURING ALL FRONT RUNNER PRODUCTS TO YOUR VEHICLE. CHECKING THE ATTACHMENTS PRIOR TO USE, AND PERIODICALLY INSPECTING THE PRODUCTS FOR ADJUSTMENT, WEAR AND DAMAGE. THEREFORE YOU MUST READ AND UNDERSTAND ALL OF THE INSTRUCTIONS AND PRECAUTIONS SUPPLIED WITH YOUR FRONT RUNNER PRODUCT PRIOR TO INSTALLATION OR USE. IF YOU DO NOT UNDERSTAND ALL OF THE INSTRUCTIONS AND CAUTIONS, OR IF YOU HAVE NO MECHANICAL EXPERIENCE AND ARE NOT THOROUGHLY FAMILIAR WITH THE INSTALLATION PROCEDURES, YOU SHOULD HAVE THE PRODUCT INSTALLED BY A PROFESSIONAL INSTALLER OR OTHER QUALIFIED PERSONNEL.

# 1

## GET ORGANIZED

### IN THE BOX

1	4 X	Foot Top
2	4 X	Foot Bottom
3	32 X	M8 Nut Cap
4	12 X	M8 x 16 Hex Bolt
5	24 X	M8 x 16 x 1.6SS Flat Washer
6	12 X	M8 Nyloc Nut
7	8 X	M8 x 25 Hex Bolt
8	8 X	M8 SS Spring Washer

### TOOLS NEEDED

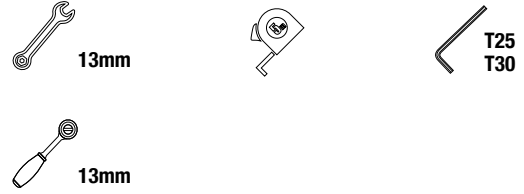
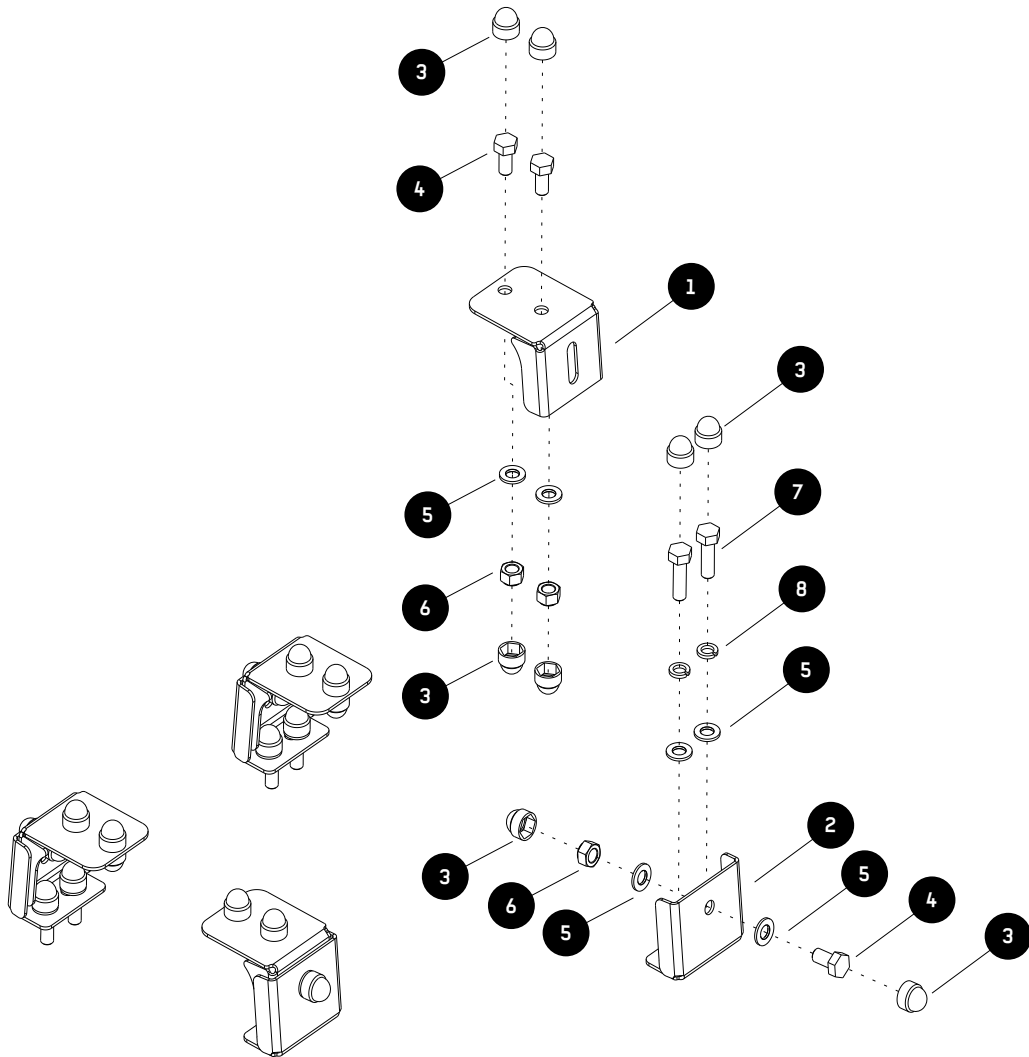
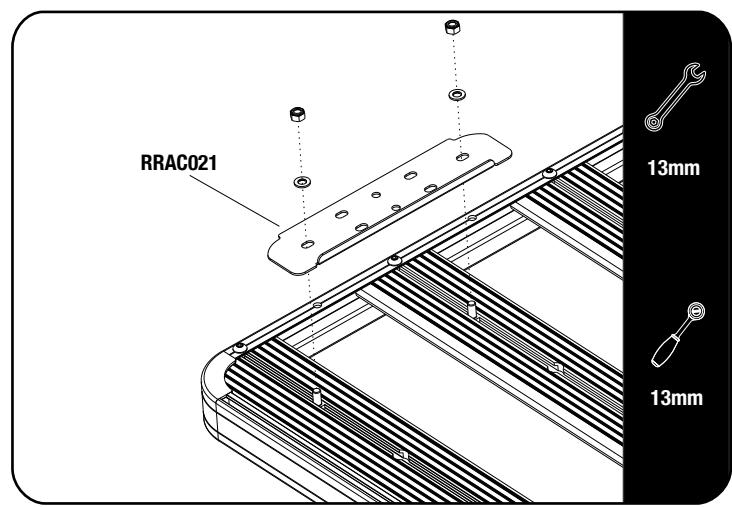


FIGURE 1.1



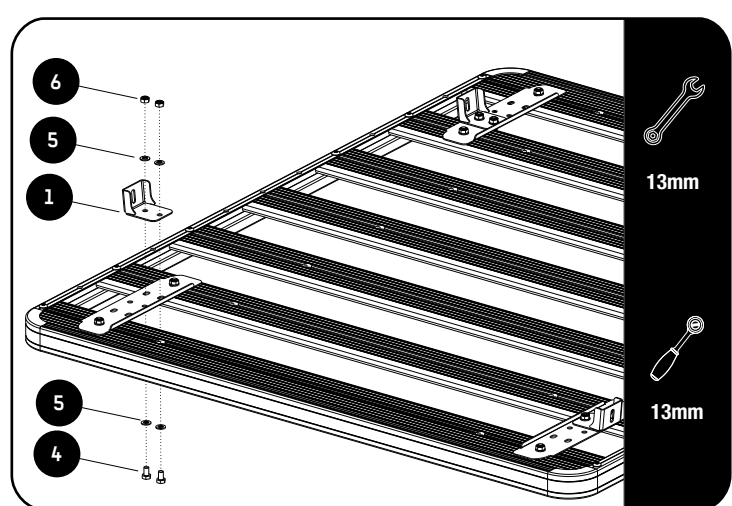
## 2 FIT AND SECURE

2.1



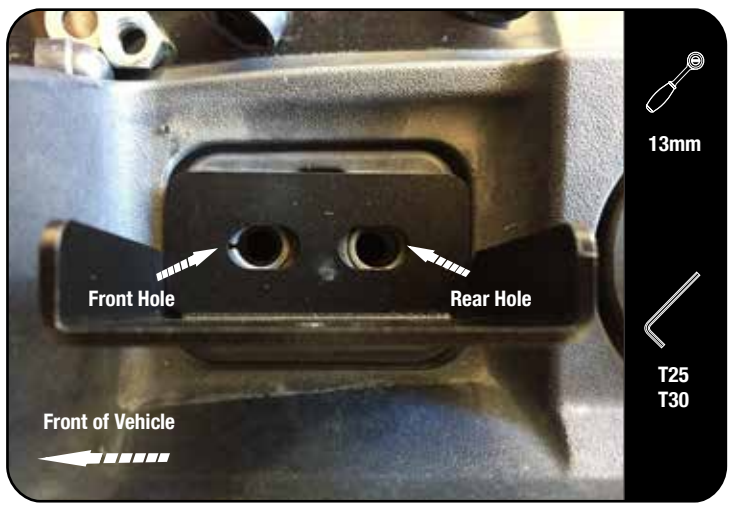
Loosely fit two pairs of Between Slat Foot Adapters - RRAC021 (supplied with KRS0002T) to the bottom of the Slimline II Rack.  
Refer to RRAC021 Fitment Guide.

2.2



Loosely fit the Foot Top (Item 1) to the Between Slat Foot Adapters using M8 x 16 Hex Bolts, M8 x 16 x 1.6SS Flat Washers and M8 Nyloc Nuts (Items 4, 5 & 6) as shown.  
Repeat this on all the Between Slat Foot Adapters.

2.3

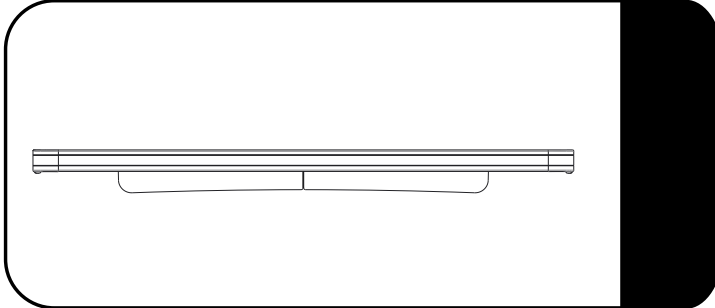


Remove the bolts of the OEM crossbars and the four tie-down plates.  
Secure the Foot Bottom (Item 2) by using an M8 x 25 Hex Bolt, M8 SS Spring Washer and M8 x 16 x 1.6 SS Flat Washer (Items 5, 7 & 8).  
Repeat this on all four mounting points.

### 3

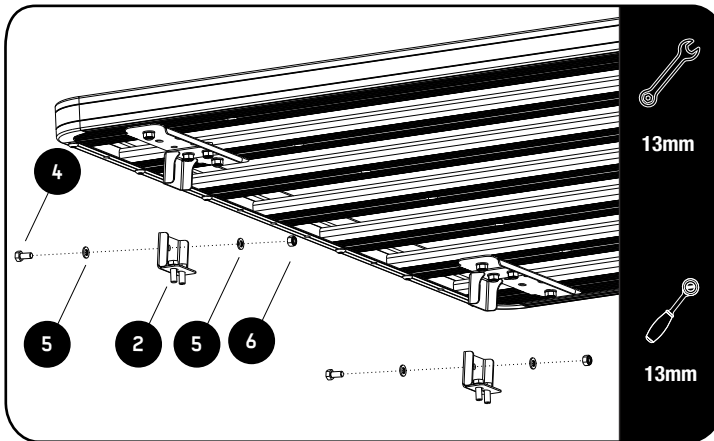
## FIT AND SECURE

3.1



Make sure that the wind deflector is installed on the bottom of the forward most slat before you proceed to the next step.

3.2



With a friend, flip the Rack over and lower it onto the Bottom Brackets, making sure the Top Brackets (Item 1) slide inside the Bottom Brackets (Item 2).

Secure the Top Brackets to the Bottom Brackets by using M8 x 16 Hex Bolts, M8 x 16 x 1.6SS Flat Washers and M8 Nyloc Nuts (Items 4, 5 & 6) as shown.

3.3

Center the rack and tighten fully. Use M8 nut caps (Item 3) to finish off the nuts.





**4**

## COMPLETION

4.1



**Congratulations! You did it. Take a step back and admire your work!**

**5**

## INSTALL OTHER VEHICLE AND RACK ACCESSORIES

Now's the time to visit your favorite Front Runner Dealer in person or online.

Learn more about roof racks and cargo carriers we have.