

START HERE!

READ ME FIRST

Don't be a hero and muscle through this installation without reading these fitting instructions first! Improper installation of this gear may void certain aspects of your warranty.

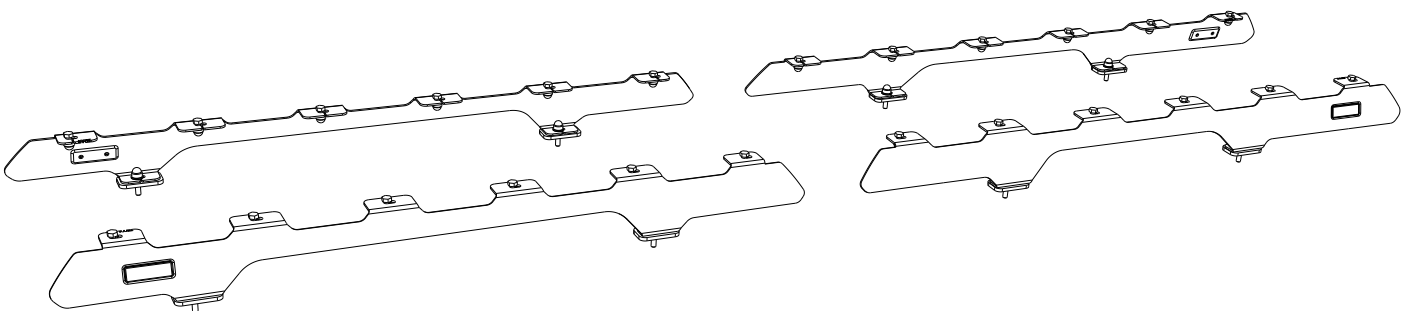
Before you begin, take a moment and open all your Front Runner rack kit boxes and gather the assembly instructions for the various components.

A complete kit will contain:

1. A Front Runner Mounting System specific to your vehicle
2. A Front Runner Rack Tray or Load Bar Slats

This document will guide you through the assembly of the mounting system and assist you in fitting the roof rack tray or load bars to your specific vehicle.

Please refer to the next page for a list of all the components, quantities and tools required.



IMPORTANT WARNING!

IT IS CRITICAL THAT ALL FRONT RUNNER PRODUCTS BE PROPERLY AND SECURELY ASSEMBLED AND ATTACHED TO YOUR VEHICLE. IMPROPER ATTACHMENT COULD RESULT IN AN AUTOMOBILE ACCIDENT, AND COULD CAUSE SERIOUS BODILY INJURY OR DEATH. YOU ARE RESPONSIBLE FOR ASSEMBLING AND SECURING ALL FRONT RUNNER PRODUCTS TO YOUR VEHICLE, CHECKING THE ATTACHMENTS PRIOR TO USE, AND PERIODICALLY INSPECTING THE PRODUCTS FOR ADJUSTMENT, WEAR AND DAMAGE. THEREFORE, YOU MUST READ AND UNDERSTAND ALL OF THE INSTRUCTIONS AND PRECAUTIONS SUPPLIED WITH YOUR FRONT RUNNER PRODUCT PRIOR TO INSTALLATION OR USE. IF YOU DO NOT UNDERSTAND ALL OF THE INSTRUCTIONS AND CAUTIONS, OR IF YOU HAVE NO MECHANICAL EXPERIENCE AND ARE NOT THOROUGHLY FAMILIAR WITH THE INSTALLATION PROCEDURES, YOU SHOULD HAVE THE PRODUCT INSTALLED BY A PROFESSIONAL INSTALLER OR OTHER QUALIFIED PERSONNEL.

NOTE: Front Runner will not be responsible for any damage caused by the failure to install the product according to these instructions.

Please call us if you have any questions about the installation of this product.

1

GET ORGANIZED

IN THE BOX

| | | |
|----|------|------------------------------|
| 1 | 2 X | Front Foot Rail - 1LH + 1RH |
| 2 | 2 X | Rear Foot Rail - 1LH + 1RH |
| 3 | 24 X | M8 x 20 Hex Bolt |
| 4 | 32 X | M8 Nut Cap |
| 5 | 8 X | M8 x 35 Hex Bolt |
| 6 | 8 X | M8 SS Spring Washer |
| 7 | 8 X | M8 x 19 x 2 SS Flat Washer |
| 8 | 8 X | Spacer |
| 9 | 24 X | M8 Nyloc Nut |
| 10 | 24 X | M8 x 16 x 1.6 SS Flat Washer |

TOOLS NEEDED



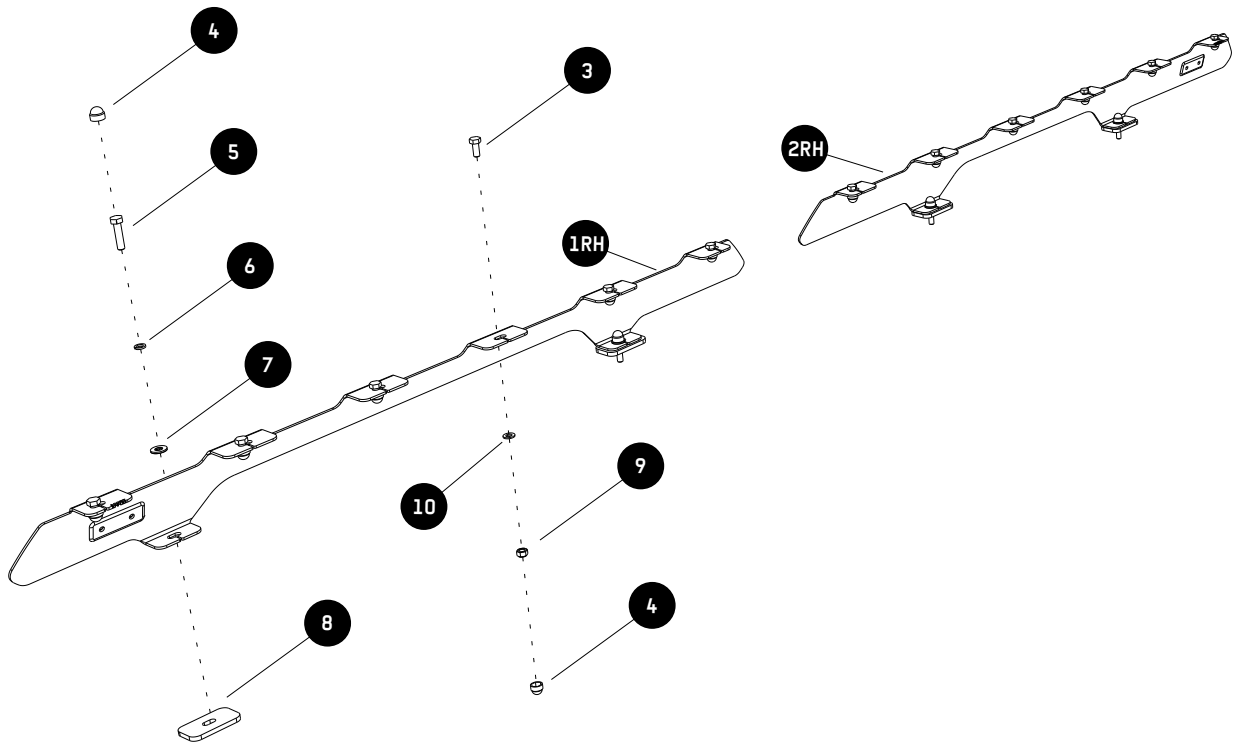
13mm



Denatured Alcohol

FIGURE 1.1

REAR



FRONT

2

FIT AND SECURE

2.1



On the roof, remove the hole plugs shown in 2.1.

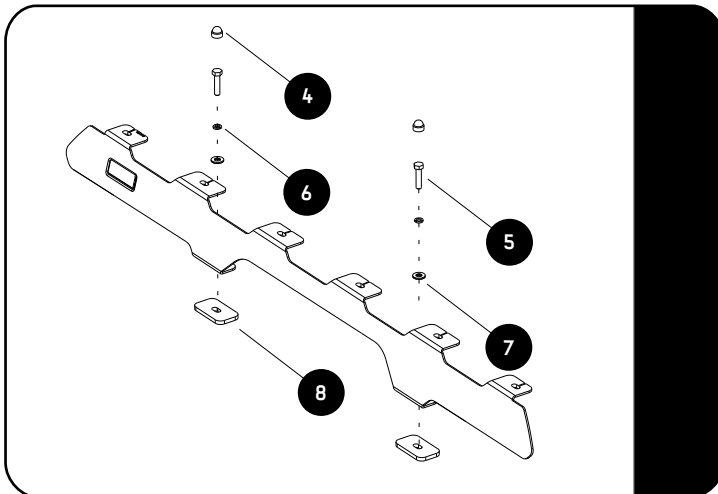
If you are fitting a Half Rack you will remove only the four rear hole plugs (two each side).

Using a flat screw driver, start lifting a small section of the plug. Use a long nose pliers and carefully peel the plug from the roof.

Clean the area with denatured alcohol after the plugs have been removed.

2.2

REAR



MOUNTING THE REAR FOOT RAIL.

Apply a bead of silicone around all the holes before you start fit the Foot Rails.

Place a Spacer (Item 8) over each of the mounting holes, followed by the Rear Foot Rail.

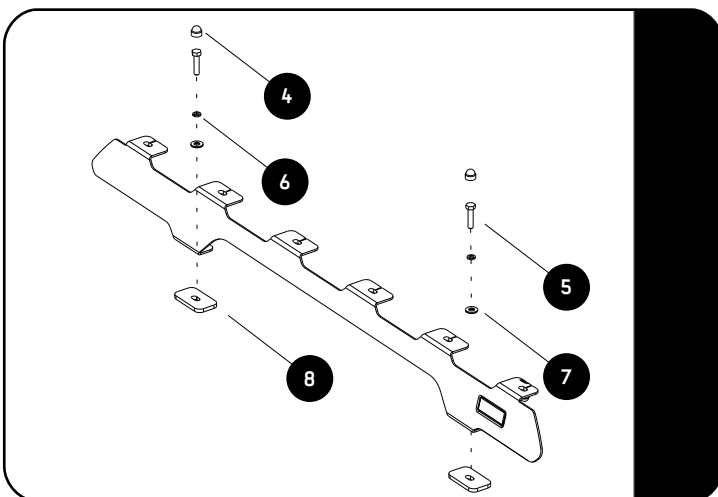
Secure the Foot Rail to the roof using M8 x 35 Hex Bolts, M8 SS Spring Washers and M8 x 19 x 2 SS Flat Washers (Items 5, 6 & 7) as shown.

Place M8 Nut Caps on the Bolt heads.



If you are fitting a Half Rack, proceed to 3.1. If you are fitting a Full Rack, proceed to 2.3.

2.3



MOUNTING THE FRONT FOOT RAIL.

Apply a bead of silicone around each of the mounting holes.

Place a Spacer (Item 8) over each of the mounting holes, followed by the Front Foot Rail.

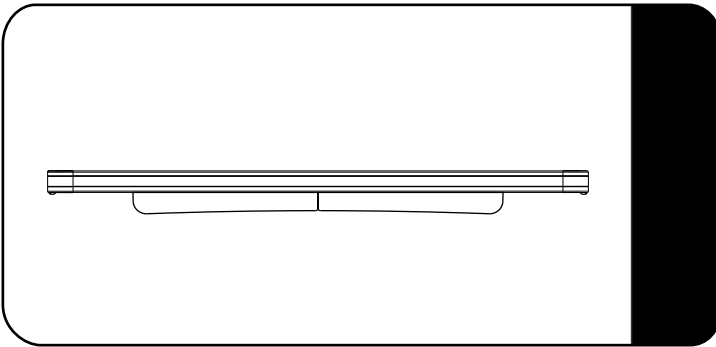
Secure the Foot Rail to the roof using M8 x 35 Hex Bolts, M8 SS Spring Washers and M8 x 19 x 2 SS Flat Washers (Items 5, 6 & 7) as shown.

Place M8 Nut Caps on the Bolt heads.

3

FIT AND SECURE

3.1

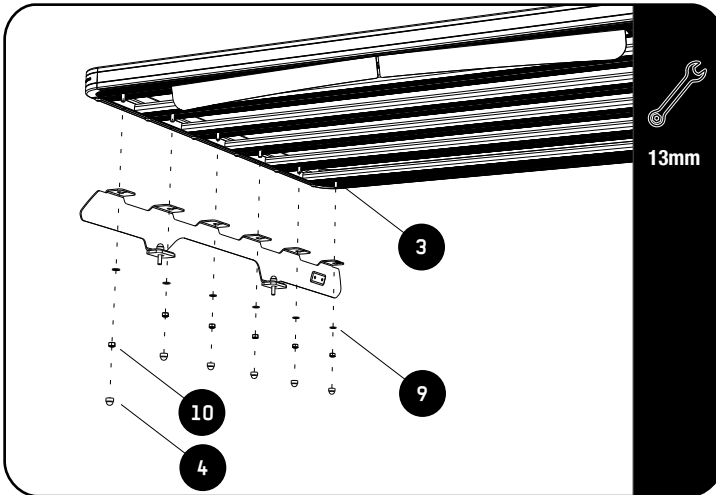


Make sure that the wind deflector is installed before you proceed to the next step.

Refer to Rack Fitment Guide.

Half Rack

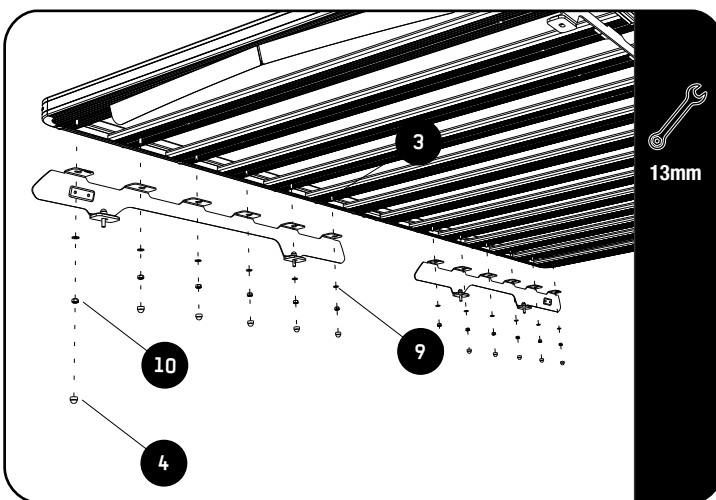
3.2



Fit your Roof Rack to the Foot Rails using M8 x 20 Hex Bolts, M8 x 16 x 1.6SS Flat Washers and M8 Nyloc Nuts (Items 3, 9 & 10).

Full Rack

3.3



Fit your Roof Rack to the Foot Rails using M8 x 20 Hex Bolts, M8 x 16 x 1.6SS Flat Washers and M8 Nyloc Nuts (Items 3, 9 & 10).

3.4

Center the rack and tighten fully. Use M8 nut caps (Item 4) to finish off the nuts.



4

COMPLETION

4.1

Congratulations! You did it. Take a step back and admire your work!



5

INSTALL OTHER VEHICLE AND RACK ACCESSORIES

Now's the time to visit your favorite Front Runner Dealer in person or online.

IMPORTANT!

FRONT RUNNER RACK KITS OFTEN HAVE A HIGHER LOAD RATING THAN THE VEHICLES THEY ARE MOUNTED TO. PLEASE REFER TO YOUR SPECIFIC VEHICLE MANUFACTURER FOR A RECOMMENDED ROOF RATING. FRONT RUNNER CANNOT BE RESPONSIBLE FOR IMPROPER LOADING BEYOND THE VEHICLE MANUFACTURER'S STATED LOAD CAPACITY.