

READ ME !

Thank you for purchasing a pair of Front Runner 65mm Flat Feet.

Before you start, take a moment to familiarize yourself with the Fitting Instructions and the components received.

Refer to Page 2 for a list of all the components, quantities and tools required.

IMPORTANT WARNING!

IT IS CRITICAL THAT ALL FRONT RUNNER PRODUCTS BE PROPERLY AND SECURELY ASSEMBLED AND ATTACHED TO YOUR VEHICLE. IMPROPER ATTACHMENT COULD RESULT IN AN AUTOMOBILE ACCIDENT, AND COULD CAUSE SERIOUS BODILY INJURY OR DEATH. YOU ARE RESPONSIBLE FOR ASSEMBLING AND SECURING ALL FRONT RUNNER PRODUCTS TO YOUR VEHICLE, CHECKING THE ATTACHMENTS PRIOR TO USE, AND PERIODICALLY INSPECTING THE PRODUCTS FOR ADJUSTMENT, WEAR AND DAMAGE. THEREFORE, YOU MUST READ AND UNDERSTAND ALL OF THE INSTRUCTIONS AND PRECAUTIONS SUPPLIED WITH YOUR FRONT RUNNER PRODUCT PRIOR TO INSTALLATION OR USE. IF YOU DO NOT UNDERSTAND ALL OF THE INSTRUCTIONS AND CAUTIONS, OR IF YOU HAVE NO MECHANICAL EXPERIENCE AND ARE NOT THOROUGHLY FAMILIAR WITH THE INSTALLATION PROCEDURES, YOU SHOULD HAVE THE PRODUCT INSTALLED BY A PROFESSIONAL INSTALLER OR OTHER QUALIFIED PERSONNEL.

NOTE: Front Runner will not be responsible for any damage caused by the failure to install the product according to these instructions.

Please call us if you have any questions about the installation of this product.

1

GET ORGANIZED

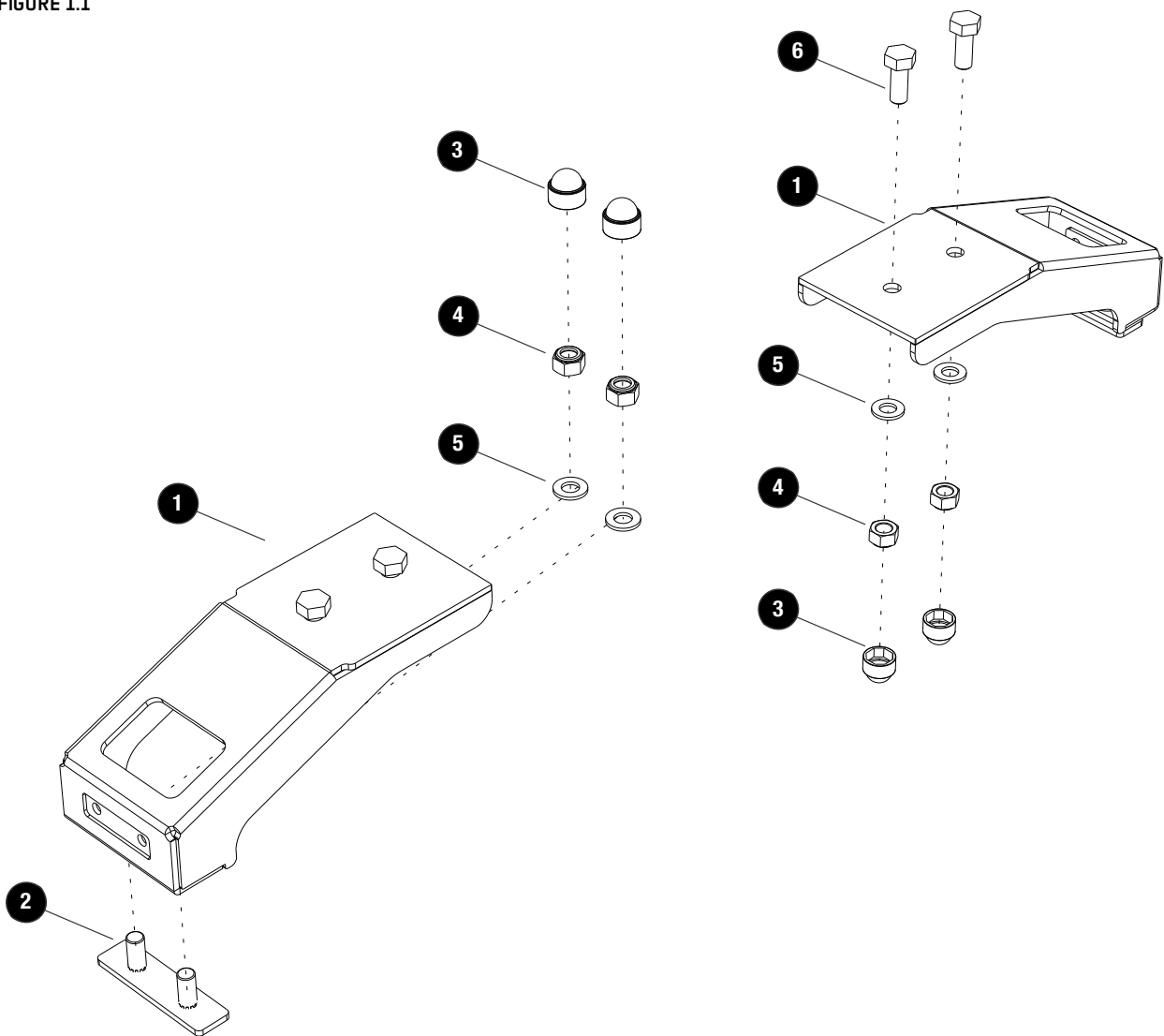
IN THE BOX

1	2 X	Foot
2	2 X	Stud Plate
3	8 X	M8 Nut Cap
4	8 X	M8 Nyloc Nut
5	8 X	M8 x 16 x 1.6SS Flat Washer
6	4 X	M8 x 20 Hex Bolt

TOOLS NEEDED

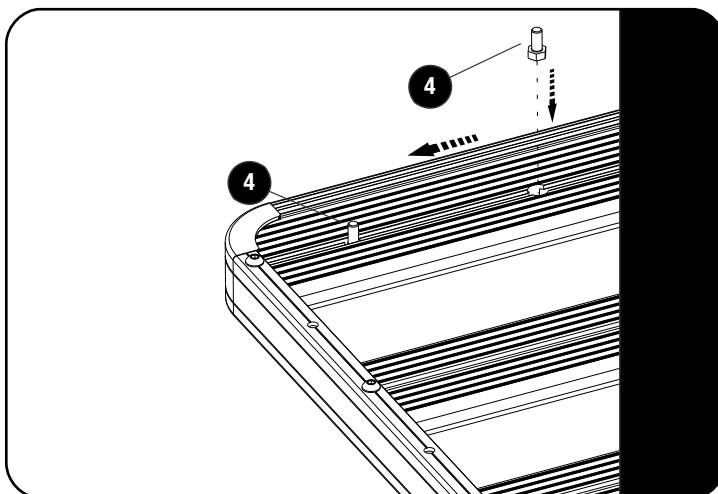


FIGURE 1.1



2**FIT AND SECURE**

2.1



Place your Front Runner Roof Rack onto your vehicle and find the best position for it.

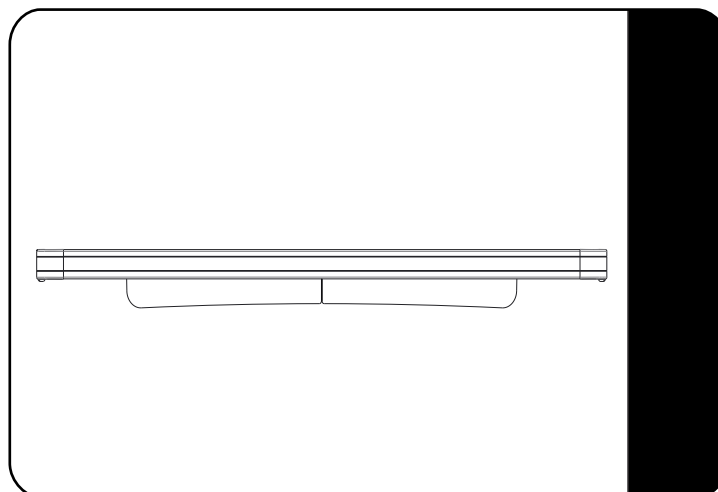


NOTE: The rack should sit level to the ground, not the vehicle's roof line. Or slanting slightly down toward the front.

With the rack in place, find the best position for the Feet. It is advised to always use the first and last slat to install feet. Should your rack be longer, and kit be supplied with more feet, these feet should be positioned with no more than three open slats between them.

Flip the rack so that the bottom of the rack faces up. Insert two M8 x 20 Hex Bolts (Item 4) into the machined slots on the slats that you have identified.

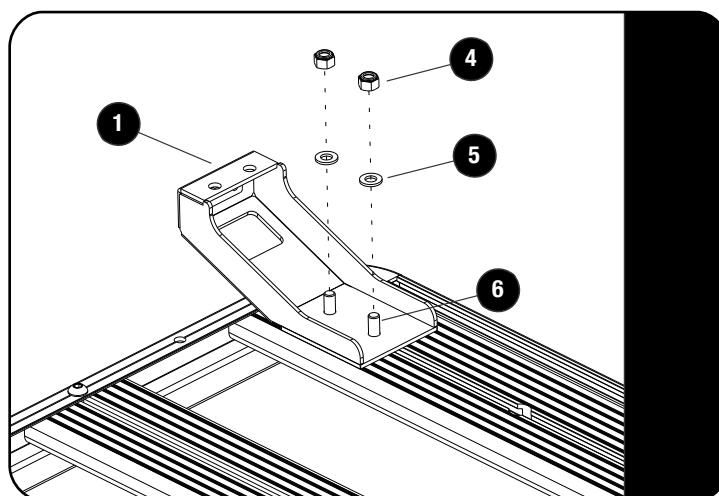
2.2



Make sure that the wind deflector is installed before you proceed to the next step.

See the Rack Fitment Guide (RRSTUNI) for instructions.

2.3



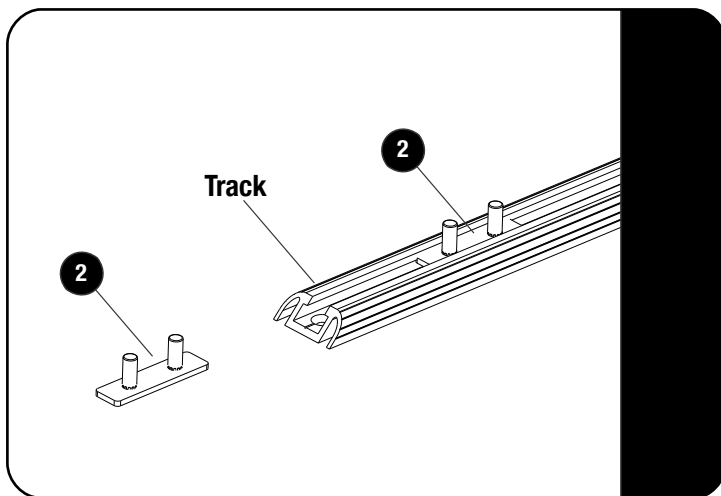
Before fitting the Feet to the rack, remove the Stud Plates (Item 2). Refer to Figure 1.1.

Loosely fit the Feet to the rack using M8 x 16 x 1.6SS Flat Washers and M8 Nyloc Nuts (Items 4 & 5) as shown.

The fasteners will be fully tightened after the rack has been fitted to the vehicle.

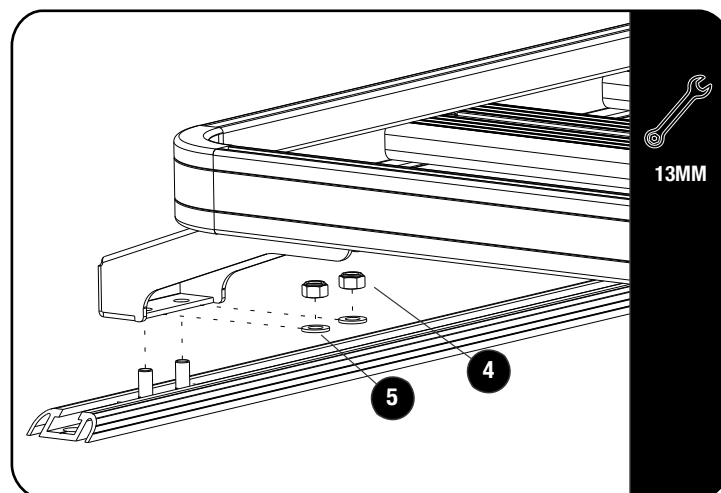
2**FIT AND SECURE**

2.4



Before placing the rack onto the vehicle, slide the Stud Plates (Item 2) removed in Step 2.3 into the tracks.

2.5



With the help of a friend, flip the rack right side up.

Lower the rack onto the tracks while aligning the Feet with the Stud Plates in the tracks.

Loosely secure the Feet to the track using M8 x 16 x 1.6SS Flat Washers and M8 Nyloc Nuts (Items 4 & 5).

Before tightening the Feet to the tracks, move the rack so the it sits level to the ground, not the vehicle's roof line, or slanting slightly down toward the front.

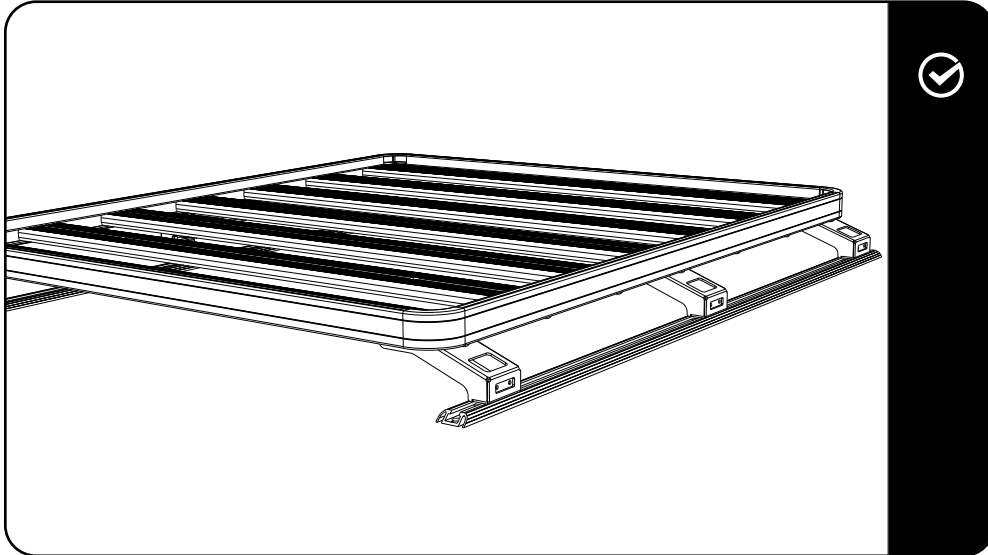
After you have tightened the Feet to the tracks, center the rack left to right and fully tighten the fasteners from Step 2.3.

Place M8 Nut Caps on all the Nyloc Nuts.

3

COMPLETION

3.1



Congratulations! You did it. Take a step back and admire your work!

4

INSTALL OTHER VEHICLE AND RACK ACCESSORIES

Now's the time to visit your favorite Front Runner Dealer in person or online.

IMPORTANT!

Front Runner rack kits often have a higher load rating than the vehicles they are mounted to. Please refer to your specific vehicle manufacturer for a recommended roof load rating. Front Runner cannot be responsible for improper loading beyond the vehicle manufacturer's stated load capacity.