**READ ME !** 

Thank you for purchasing a Front Runner Hi-Lift Jack Bracket.

Before you start, take a moment to familiarize yourself with the Fitting Instructions and the components received.

Refer to Page 2 for a list of all the components, quantities and tools required.

IMPORTANT WARNING! 

IT IS CRITICAL THAT ALL FRONT RUNNER PRODUCTS BE PROPERLY AND SECURELY ASSEMBLED AND ATTACHED TO YOUR VEHICLE. IMPROPER ATTACHMENT COULD RESULT IN AN AUTOMOBILE ACCIDENT, AND COULD CAUSE SERIOUS BODILY INJURY OR DEATH. YOU ARE RESPONSIBLE FOR ASSEMBLING AND SECURING ALL FRONT RUNNER PRODUCTS TO YOUR VEHICLE, CHECKING THE ATTACHMENTS PRIOR TO USE, AND PERIODICALLY INSPECTING THE PRODUCTS FOR ADJUSTMENT, WEAR AND DAMAGE. THEREFORE, YOU MUST READ AND UNDERSTAND ALL OF THE INSTRUCTIONS AND PRECAUTIONS SUPPLIED WITH YOUR FRONT RUNNER PRODUCT PRIOR TO INSTALLATION OR USE. IF YOU DO NOT UNDERSTAND ALL OF THE INSTRUCTIONS AND CAUTIONS, OR IF YOU HAVE NO MECHANICAL EXPERIENCE AND ARE NOT THOROUGHLY FAMILIAR WITH THE INSTALLATION PROCEDURES, YOU SHOULD HAVE THE PRODUCT INSTALLED BY A PROFESSIONAL INSTALLER OR OTHER QUALIFIED PERSONNEL.

NOTE: Front Runner will not be responsible for any damage caused by the failure to install the product according to these instructions.

Please call us if you have any questions about the installation of this product.

1

GET ORGANIZED

Here is what you are looking at for JADA010

IN THE BOX

1	1 X	M10x40 Hex Bolt
2	3 X	M10x30x3 Flat Washer
3	4 X	M8x25 Button Head Bolt (Black)
4	8 X	M8x16x1.6 SS Flat Washer
5	1 X	Base Bracket
6	1 X	M10 Wing Nut
7	1X	M12 Nyloc Hex Nut
8	1 X	M12 Flat Washer
9	6 X	M6 Nyloc Hex Nut
10	12 X	M6x12x1 SS Flat Washer
11	6 X	M8 Nyloc Hex Nut
12	2 X	M8x16 Button Head Bolt (Black)
13	1 X	M12 Machined Stud
14	6 X	M6x16 Button Head Bolt (Black)

IN THE BOX CONTINUED

15	1 X	Handle Clamp Assembly
16	1 X	M10 Tie Down Ring
17	2 X	M8x20 Button Head Bolt (Black)
18	2 X	M8x30 Button Head Bolt (Black)

TOOLS NEEDED

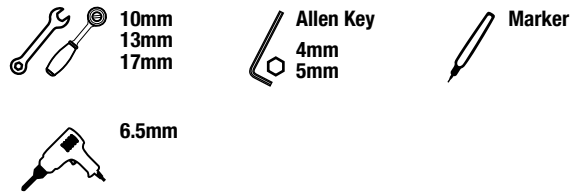
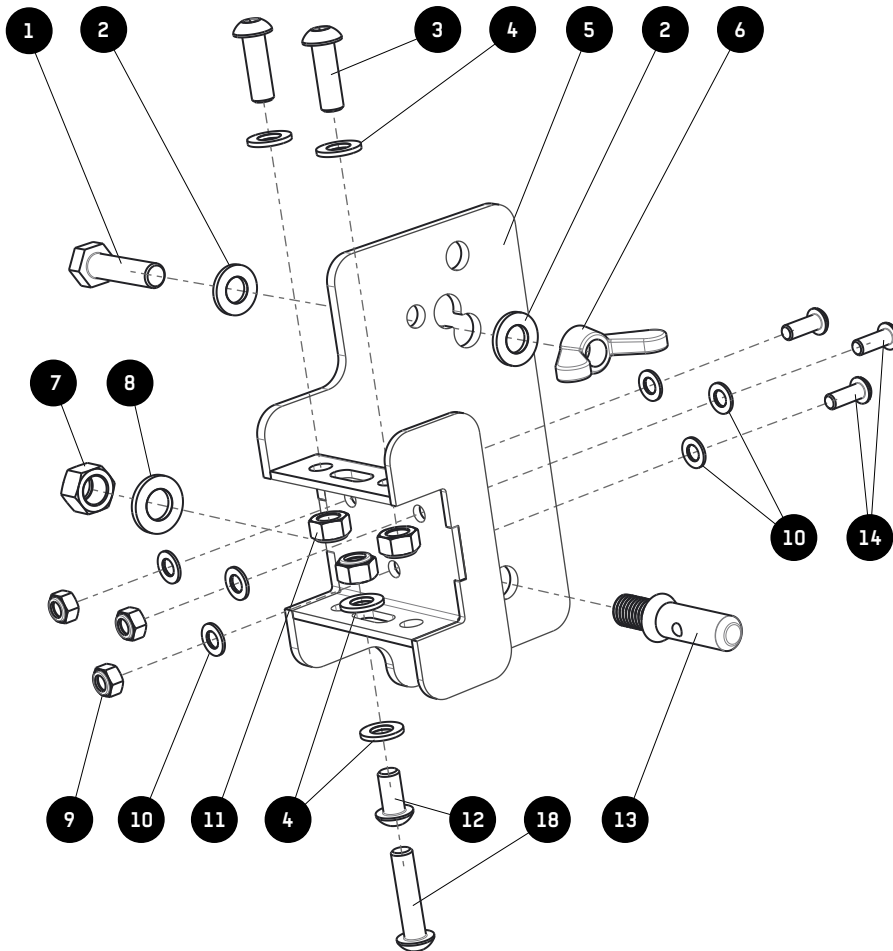


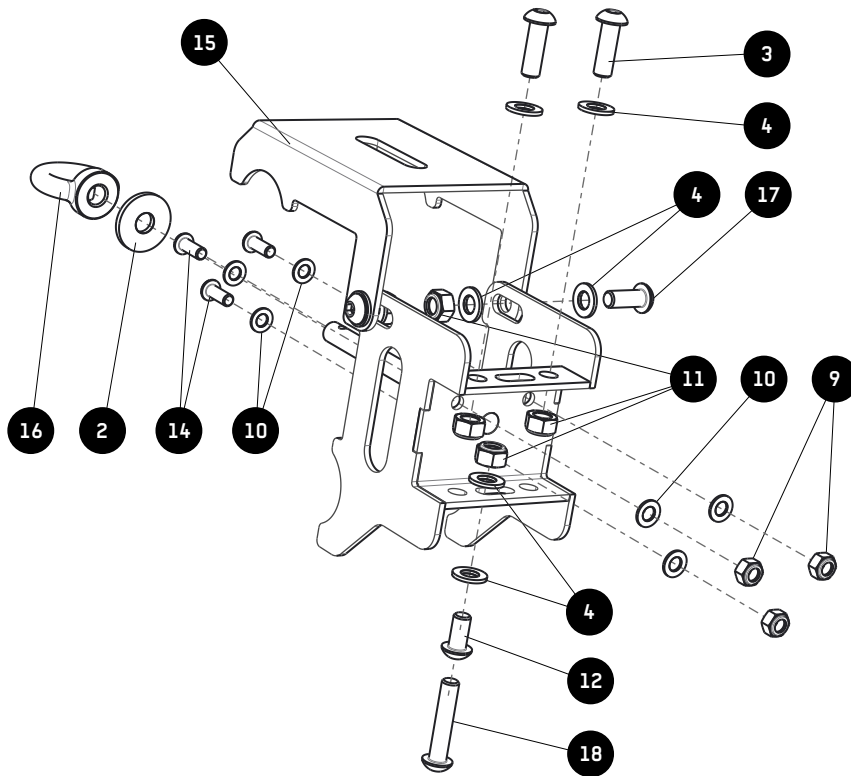
FIGURE 1.1



1

GET ORGANIZED CONTINUED

FIGURE 1.2



2

RECOMENDED POSITIONS

2.1

Please note that it is not recommended to mount your Hi-Lift Jack on the front or rear of your Rack only on the sides.

For ease of instruction, we have chosen to describe one orientation of mounting the Jack Bracket. The principals are the same, just the positioning and orientation of the brackets may vary depending on where you want to mount the jack.

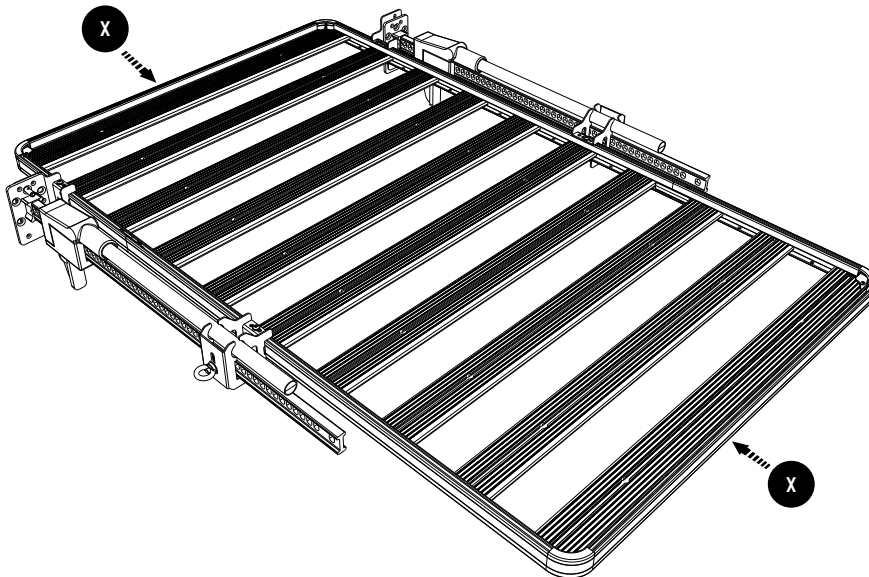
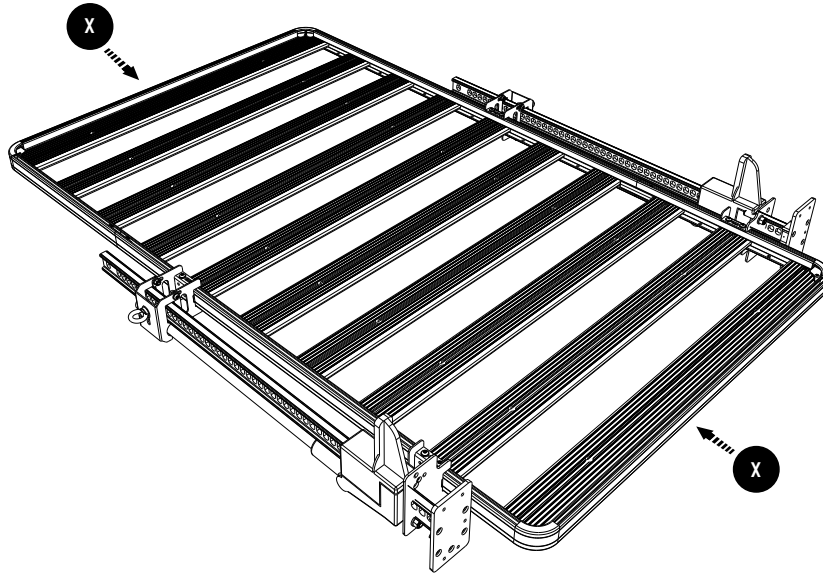
Decide where on your Rack you would like to mount the Hi-Lift Jack. The brackets can be orientated upwards, downwards, front to back and back to front. Refer to Page 4, showing the various mounting options.



2

RECOMENDED POSITIONS

2.2

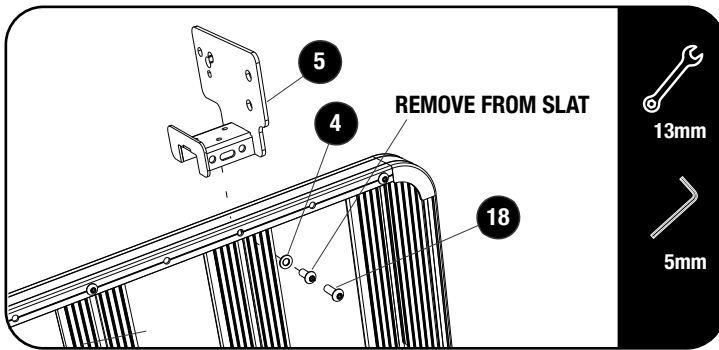


IMPORTANT WARNING!

THIS POSITION IS NOT SUITED FOR A HI LIFT JACK.

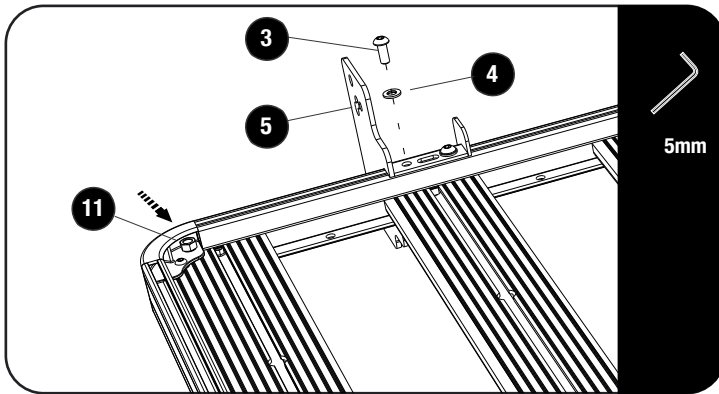
3 FIT AND SECURE

3.1



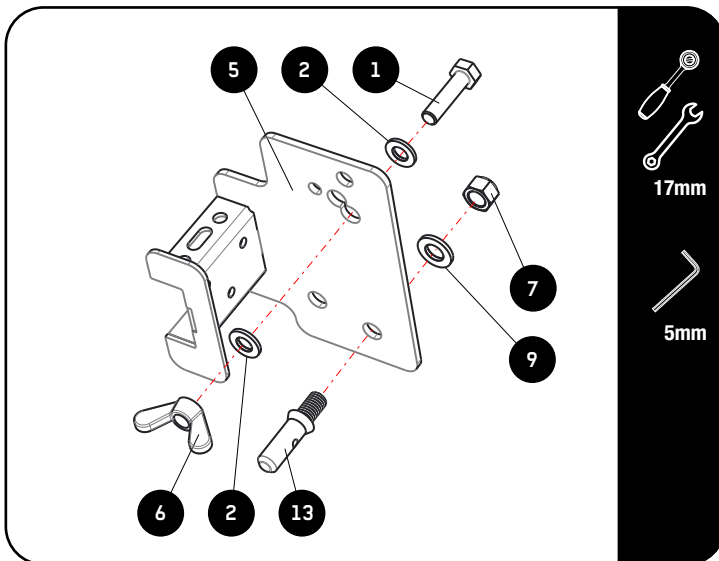
Fit and Secure Base Bracket in desired position as shown.

3.2



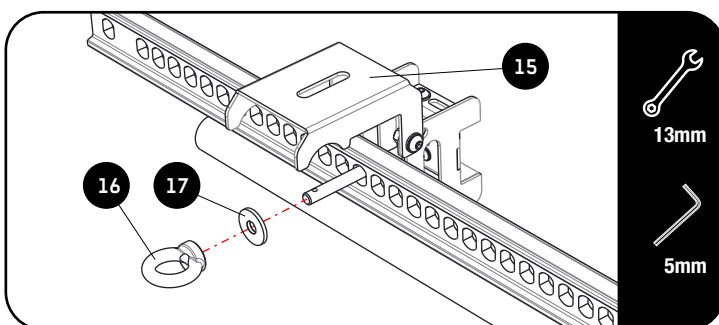
Secure as shown. Insert 2 M8 Hex Nuts at the point indicated by the arrow.

3.3



Assemble the machined pin and securing bolt in hole pattern suited to your jack.

3.4



Fit and Secure the handle clamp in the desired position, using fasteners shown in Figure 1.2

4

COMPLETION

4.1



4

FINISH

Congratulations! You did it. Take a step back and admire your work!

5

INSTALL OTHER VEHICLE AND RACK ACCESSORIES

Now's the time to visit your favorite Front Runner Dealer in person or online.