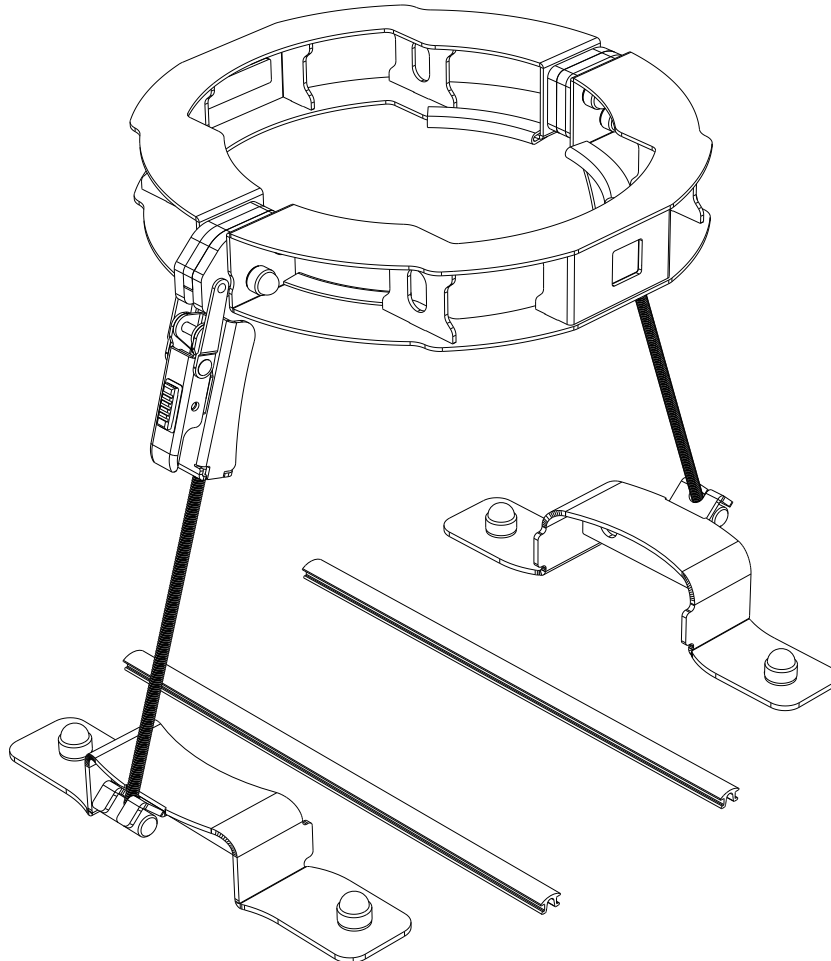


FRONT RUNNER

GAS / PROPANE BOTTLE HOLDER

GBH0012



READ ME !

Thank you for purchasing a Front Runner Gas / Propane Bottle Holder.

Before you start, take a moment to familiarize yourself with the Fitting Instructions and the components received.

Refer to Page 2 for a list of all the components, quantities and tools required.

IMPORTANT WARNING!

IT IS CRITICAL THAT ALL FRONT RUNNER PRODUCTS BE PROPERLY AND SECURELY ASSEMBLED AND ATTACHED TO YOUR VEHICLE. IMPROPER ATTACHMENT COULD RESULT IN AN AUTOMOBILE ACCIDENT, AND COULD CAUSE SERIOUS BODILY INJURY OR DEATH. YOU ARE RESPONSIBLE FOR ASSEMBLING AND SECURING ALL FRONT RUNNER PRODUCTS TO YOUR VEHICLE, CHECKING THE ATTACHMENTS PRIOR TO USE, AND PERIODICALLY INSPECTING THE PRODUCTS FOR ADJUSTMENT, WEAR AND DAMAGE. THEREFORE, YOU MUST READ AND UNDERSTAND ALL OF THE INSTRUCTIONS AND PRECAUTIONS SUPPLIED WITH YOUR FRONT RUNNER PRODUCT PRIOR TO INSTALLATION OR USE. IF YOU DO NOT UNDERSTAND ALL OF THE INSTRUCTIONS AND CAUTIONS, OR IF YOU HAVE NO MECHANICAL EXPERIENCE AND ARE NOT THOROUGHLY FAMILIAR WITH THE INSTALLATION PROCEDURES, YOU SHOULD HAVE THE PRODUCT INSTALLED BY A PROFESSIONAL INSTALLER OR OTHER QUALIFIED PERSONNEL.

NOTE: Front Runner will not be responsible for any damage caused by the failure to install the product according to these instructions.

1

GET ORGANIZED

IN THE BOX

1	1 X	Top Collar
2	2 X	Base Clamp Bracket
3	2 X	Tensioner Bar
4	2 X	T - Slot Rubber
5	4 X	M8 Nut Cap
6	4 X	M8 Nyloc Nut
7	4 X	M8 x 16 x 1.6 SS Flat Washer
8	4 X	M8 x 16 Hex Bolt

TOOLS NEEDED



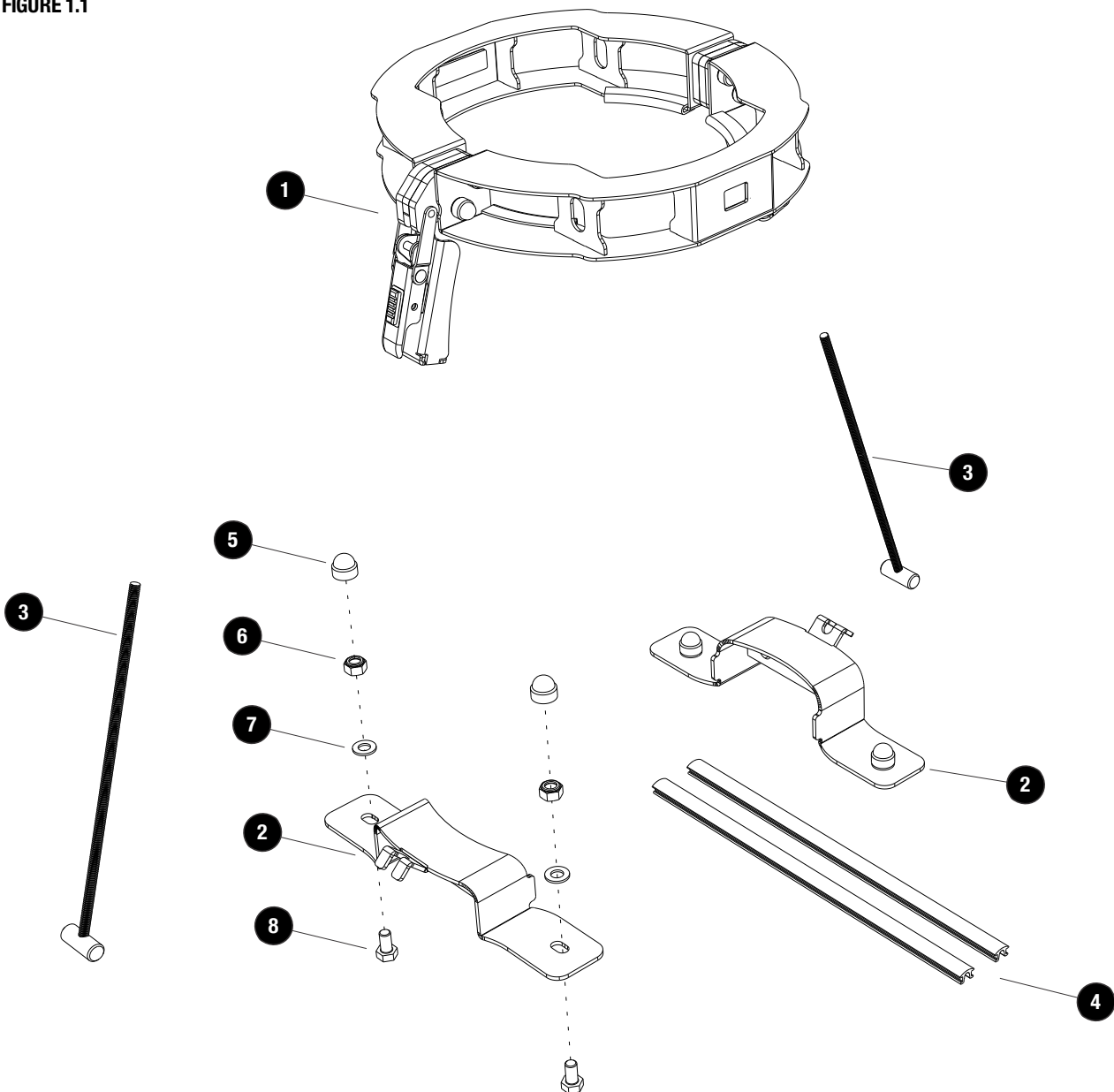
13mm



13mm



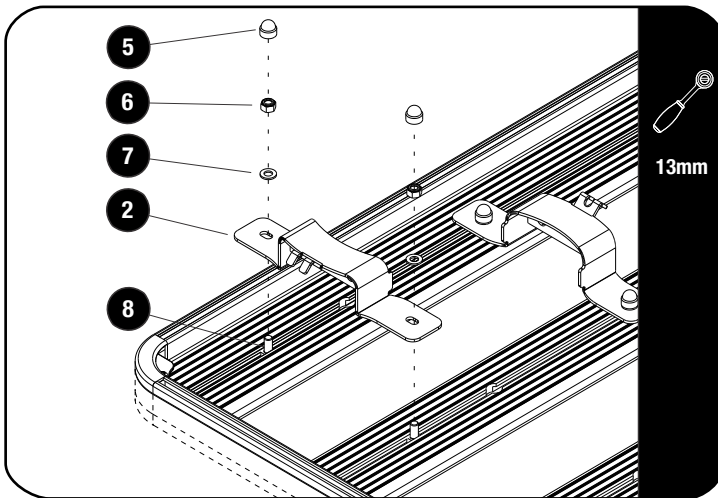
FIGURE 1.1



2

FIT AND SECURE - MOUNTING BRACKETS ON TOP OF SLATS

2.1



Find a suitable place between two slats to mount your Gas Bottle Holder.

Slide two M8 x 16 Hex Bolts (Item 8) into the machined slots of the slats you have chosen, followed by the Base Clamp Bracket (Item 2).

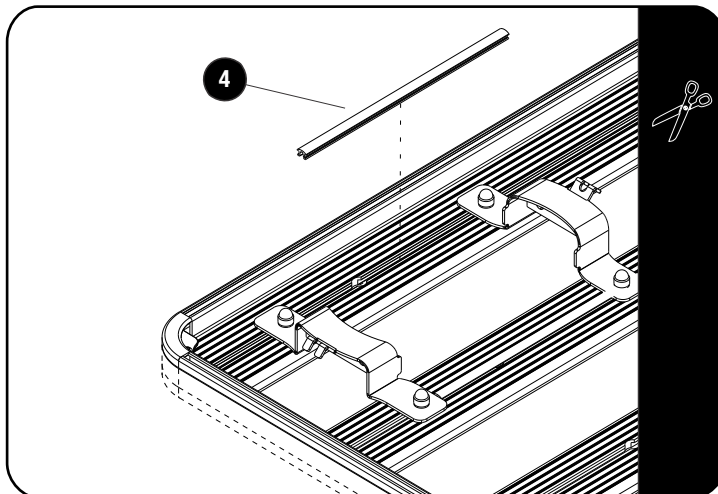
Loosely fit using M8 x 16 x 1,6SS Flat Washers and M8 Nyloc Nuts (Items 6 & 7).

The position of the Base Clamp Brackets will depend on the size of your gas bottle.

Place your gas bottle between the two Base Clamp Brackets. Slide the Clamps together until they are touching up against the gas bottle and tighten the four M8 Nyloc.

Place M8 Nut Caps (Item 5) on the Nyloc Nuts.

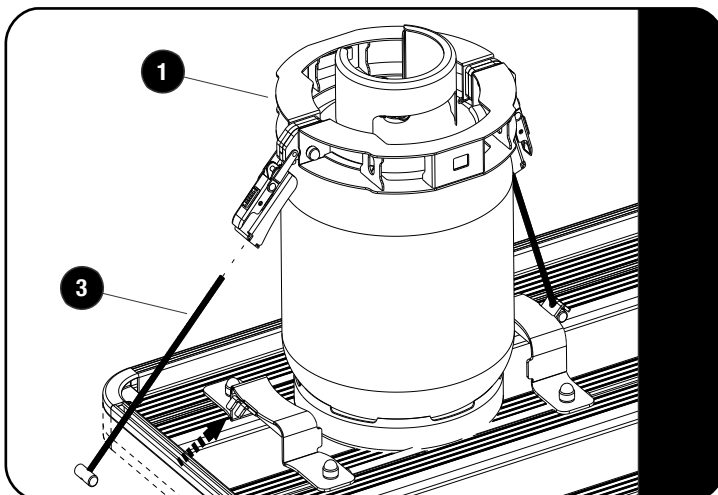
2.2



Insert the T-Slot Rubber (Item 4) between the two Base Clamp Brackets as shown.

You may need to trim the T-Slot Rubber depending on the width between the brackets.

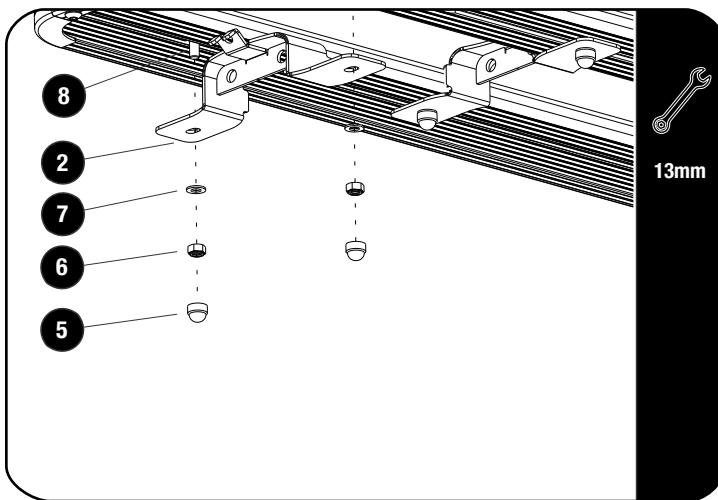
2.3



Place the Top Collar (Item 1) over the gas bottle so that you can adjust the length of the two Tensioner Bars (Item 3) according to the height of the gas bottle.

To adjust, screw the Tensioner Bars in or out of the Top Collar until the required height is obtained.

Insert the Tensioner Bars between the slots in the Base Clamp Brackets. Secure the bottle in position by closing the latches.

3**FIT AND SECURE - MOUNTING BRACKETS AT THE BOTTOM OF THE SLATS****3.1**

Find a suitable place between two slats to mount your Gas Bottle Holder.

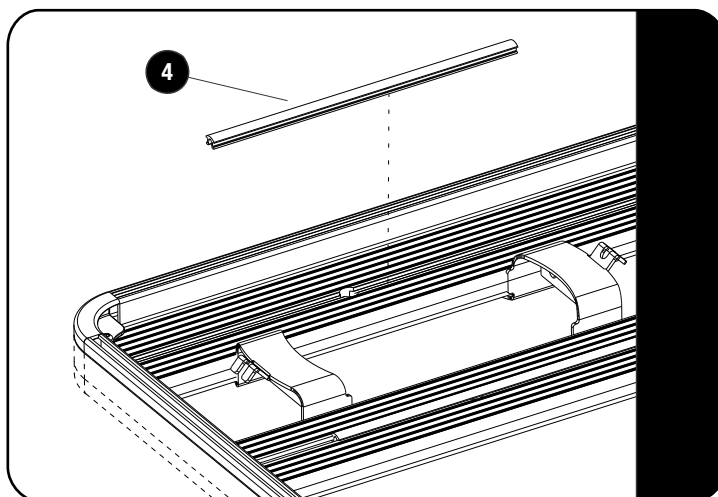
Slide two M8 x 16 Hex Bolts (Item 8) into the machined slots underneath the slats you have chosen, followed by the Base Clamp Brackets (Item 2).

Loosely fit using M8 x 16 x 1,6SS Flat Washers and M8 Nyloc Nuts (Items 6 & 7).

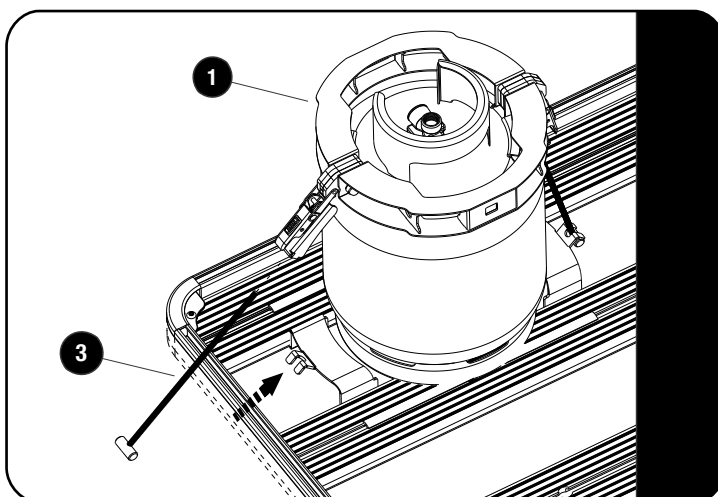
The position of the Base Clamp Brackets will depend on the size of your gas bottle.

Place your gas bottle between the two Base Clamp Brackets. Slide the Clamps together until they are touching up against the gas bottle and tighten the four M8 Nyloc Nuts.

Place M8 Nut Caps (Item 5) on the Nyloc Nuts.

3.2

Insert the T-Slot Rubber (Item 4) between the two Base Clamp Brackets as shown.

3.3

Place the Top Collar (Item 1) over the gas bottle so that you can adjust the length of the two Tensioner Bars (Item 3) according to the height of the gas bottle.

To adjust, screw the Tensioner Bars in or out of the Top Collar until the required height is obtained.

Insert the Tensioner Bars between the slots in the Base Clamp Brackets. Secure the bottle in position by closing the latches.

4

FINISH

Congratulations! You did it. Take a step back and admire your work!

5

INSTALL OTHER VEHICLE AND RACK ACCESSORIES