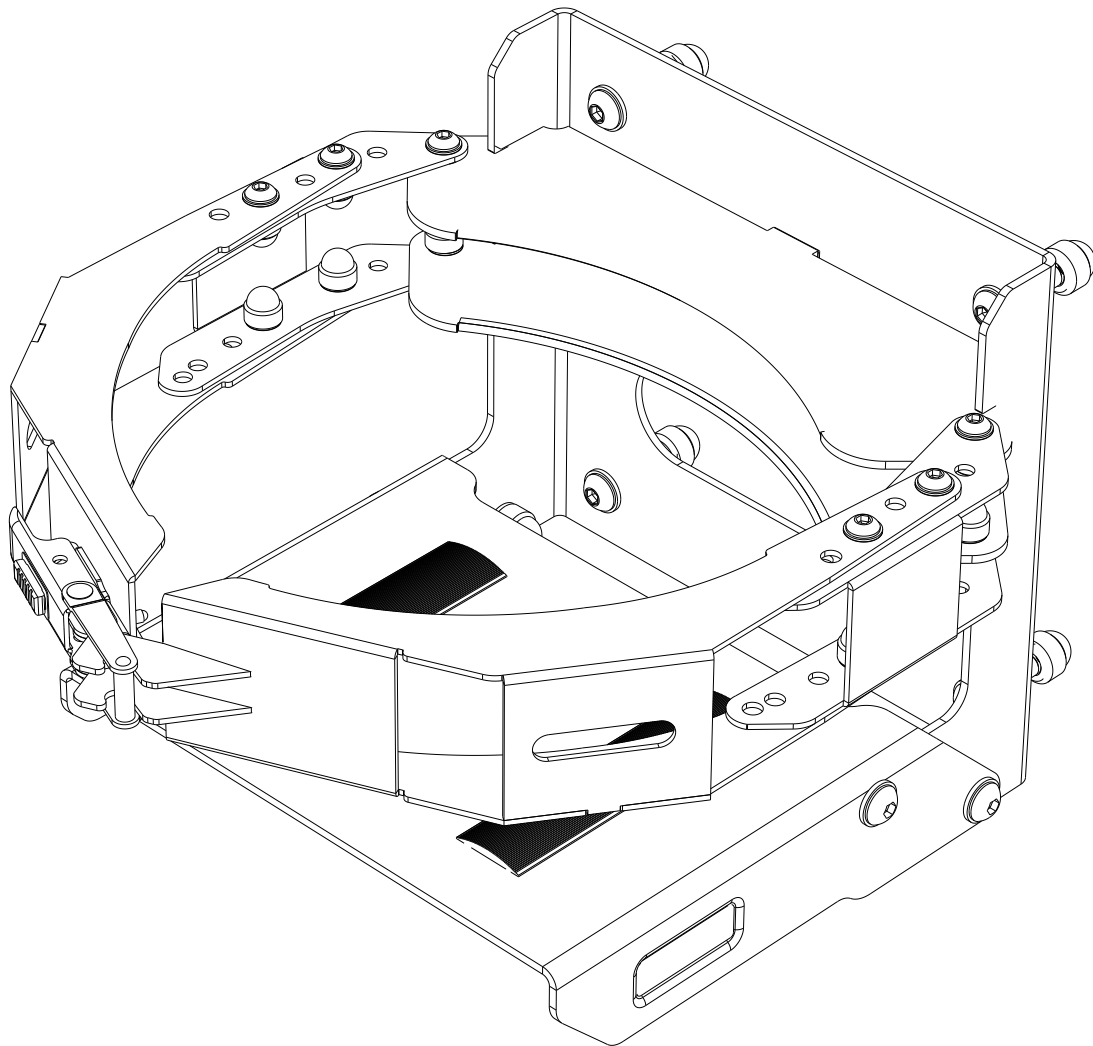


FRONT RUNNER

**GAS PROPANE BOTTLE
HOLDER / SIDE MOUNT**

GBH0014



READ ME ! ⚠

Thank you for purchasing a Front Runner Gas/Propane Bottle holder.

Before you start, take a moment to familiarize yourself with the Fitting Instructions and the components received.

Refer to Page 2 for a list of all the components, quantities and tools required.

IMPORTANT WARNING! ⚠

IT IS CRITICAL THAT ALL FRONT RUNNER PRODUCTS BE PROPERLY AND SECURELY ASSEMBLED AND ATTACHED TO YOUR VEHICLE. IMPROPER ATTACHMENT COULD RESULT IN AN AUTOMOBILE ACCIDENT, AND COULD CAUSE SERIOUS BODILY INJURY OR DEATH. YOU ARE RESPONSIBLE FOR ASSEMBLING AND SECURING ALL FRONT RUNNER PRODUCTS TO YOUR VEHICLE, CHECKING THE ATTACHMENTS PRIOR TO USE, AND PERIODICALLY INSPECTING THE PRODUCTS FOR ADJUSTMENT, WEAR AND DAMAGE. THEREFORE, YOU MUST READ AND UNDERSTAND ALL OF THE INSTRUCTIONS AND PRECAUTIONS SUPPLIED WITH YOUR FRONT RUNNER PRODUCT PRIOR TO INSTALLATION OR USE. IF YOU DO NOT UNDERSTAND ALL OF THE INSTRUCTIONS AND CAUTIONS, OR IF YOU HAVE NO MECHANICAL EXPERIENCE AND ARE NOT THOROUGHLY FAMILIAR WITH THE INSTALLATION PROCEDURES, YOU SHOULD HAVE THE PRODUCT INSTALLED BY A PROFESSIONAL INSTALLER OR OTHER QUALIFIED PERSONNEL.

NOTE: Front Runner will not be responsible for any damage caused by the failure to install the product according to these instructions.

1

GET ORGANIZED

IN THE BOX

1	1 X	Back Plate
2	1 X	Base Plate
3	2 X	Hinge
4	1 X	Latch Plate
5	1 X	Hinge Plate
6	12 X	M6 Nut Cap
7	12 X	M6 Nyloc Nut
8	24 X	M6 x 12 x 1 SS Flat Washer
9	12 X	M6 x 16 Button Head Bolt
10	12 X	M6 Nylon Washer
11	4 X	M8 x 30 Button Head Bolt
12	12 X	M8 x 16 x 1.6 SS Flat Washer
13	4 X	M8 x 25 x 2 Flat Washer
14	8 X	M8 Nyloc Nut
15	8 X	M8 Nut Cap
16	4 X	M8 x 20 Button Head Bolt

TOOLS NEEDED

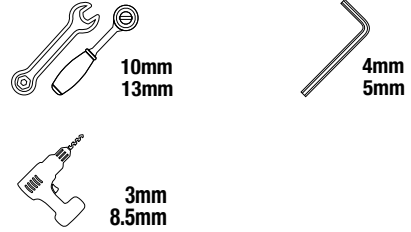
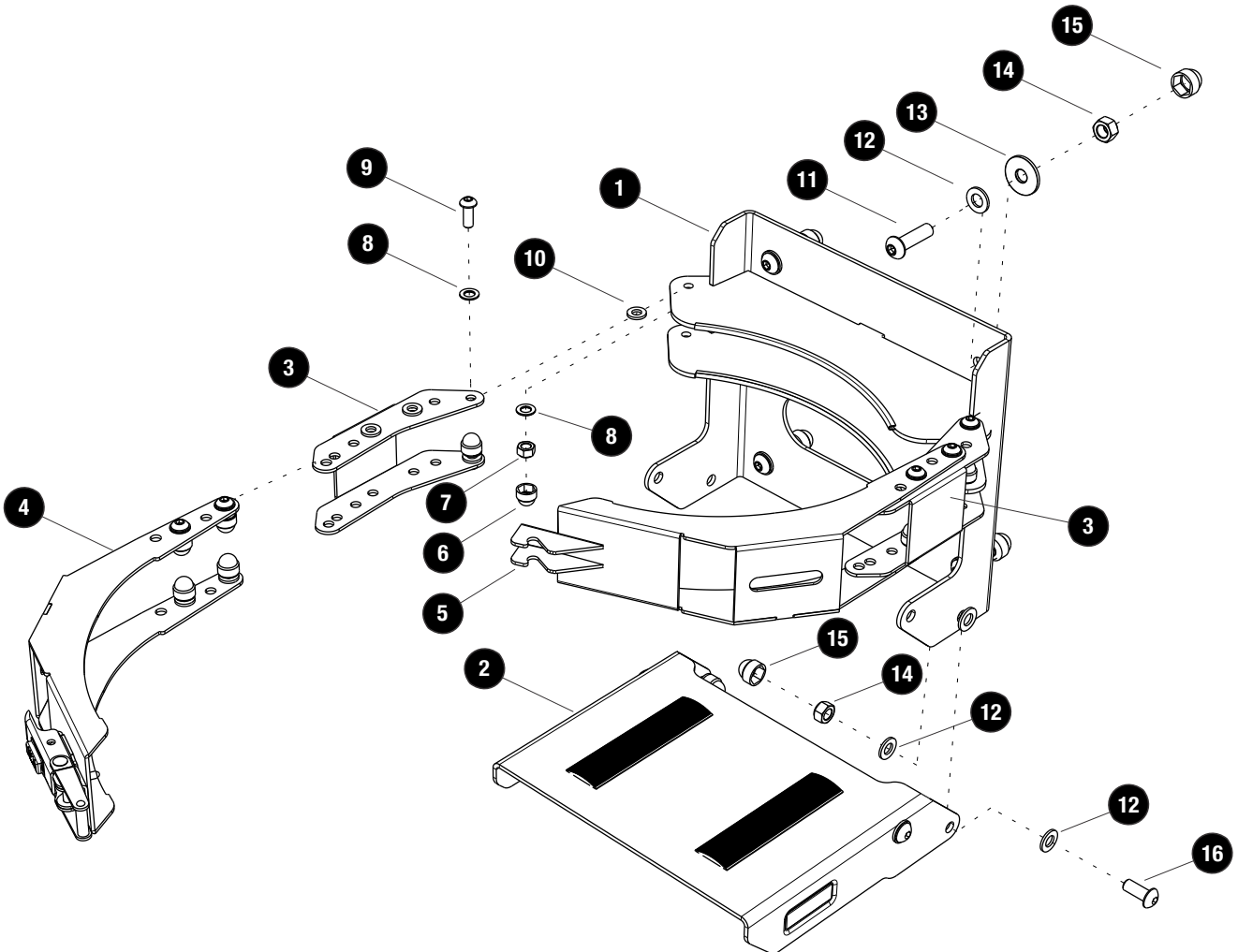


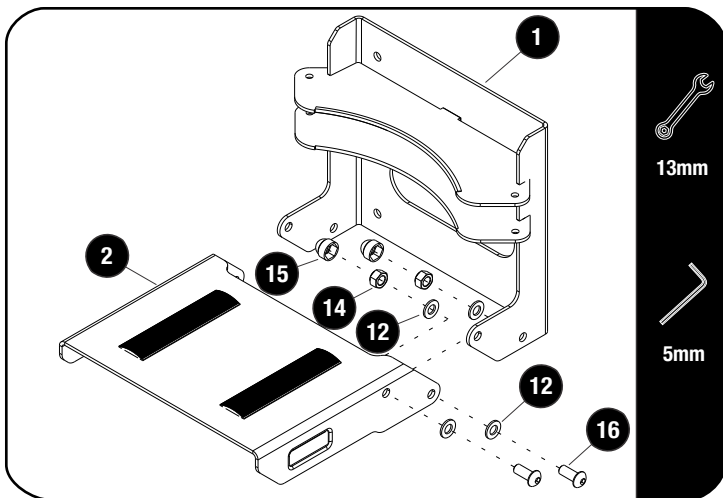
FIGURE 1.1



2

FIT AND SECURE

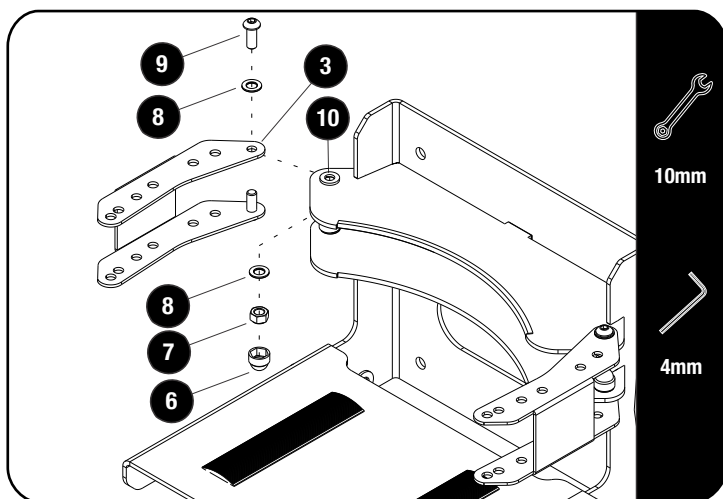
2.1



Assemble the Base (Item 2) to the Frame (Item 1) using M8 x 20 Button Head Bolts, M8 x 16 x 1.6 SS Flat Washers and M8 Nyloc Nuts (Items 12, 14 & 16) as shown.

Place M8 Nut Caps (Item 15) on the Nyloc Nuts to finish of.

2.2

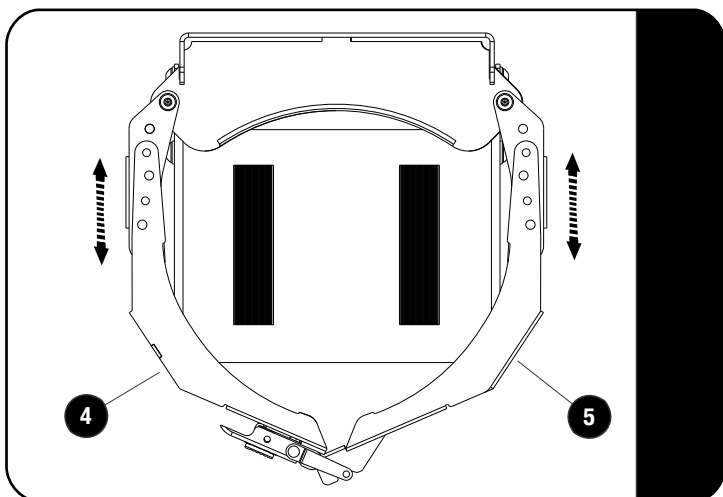


Assemble the Hinges (Item 3) to the Frame (Item 1) using M6 x 12 Button Head Bolts, M6 x 12 x 1 SS Flat Washers, M6 Nylon Washers and M6 Nyloc Nuts (Items 7, 8, 9 & 10) as shown.

The M6 Nylon Washers (Item 10) go between the Frame and the Hinge.

Place M6 Nut Caps (Item 6) on the Nyloc Nuts to finish of.

2.3

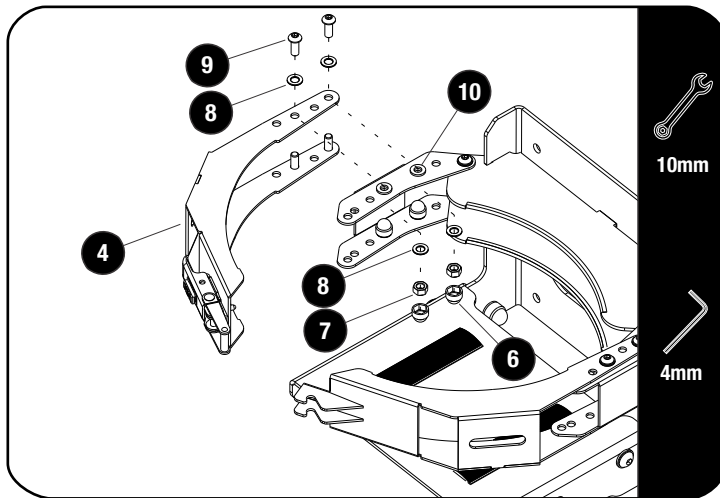


You will need to set the Latch and Catch Brackets (Items 4 & 5) according to the size of Gas/Propane bottle you are fitting.

Do this by placing the bottle on the Base. Align the appropriate holes in the Latch and Catch Brackets with the holes in the Hinges.

See 2.4 for assembly of the Latch and Catch Bracket.

2.4

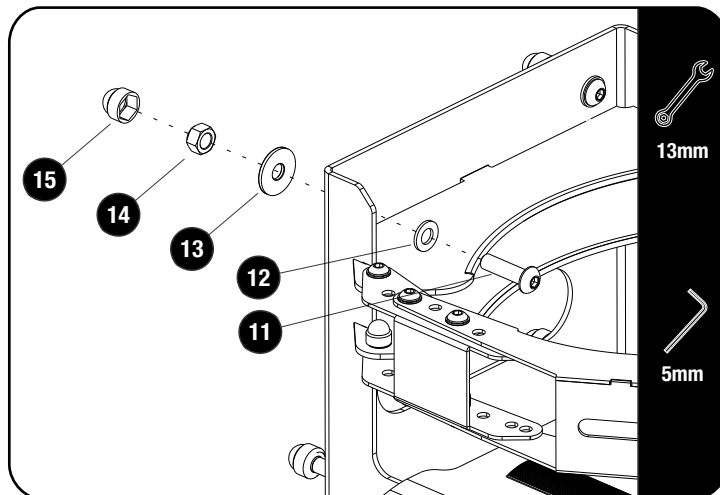


Assemble the Latch and Catch Brackets (Item 4 & 5) to the Hinges (Item 3) using M6 x 12 Button Head Bolts, M6 x 12 x 1 SS Flat Washers, M6 Nylon Washers and M6 Nyloc Nuts (Items 7, 8, 9 & 10) as shown.

The M6 Nylon Washers (Item 10) go between the Brackets and the Hinge.

Place M6 Nut Caps (Item 6) on the Nyloc Nuts to finish of.

2.5



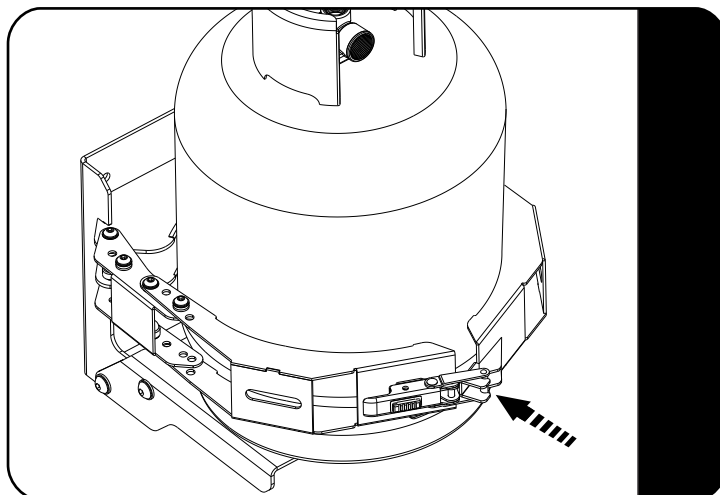
Find a suitable place to mount the Gas/Propane Bottle Holder.

Mark the four holes on the Frame, remove the Holder and drill 3mm pilot holes on the marks you made. Open the holes to 8.5mm.

Secure the Holder using M8 x 30 Button Head Bolts, M8 x 16 x 1.6 Flat Washers, M8 x 25 x 2 Flat Washers and M8 Nyloc Nuts (Items 11, 12, 13 & 14) as shown.

Place M8 Nut Caps (Item 15) on the Nyloc Nuts to finish of.

2.6



Hook the latch into the catch and engage to clamp the bottle in place.

See that there is no movement of the bottle after you have latched it in place.

3

FINISH

Congratulations! You did it. Take a step back and admire your work!

4

INSTALL OTHER VEHICLE AND RACK ACCESSORIES