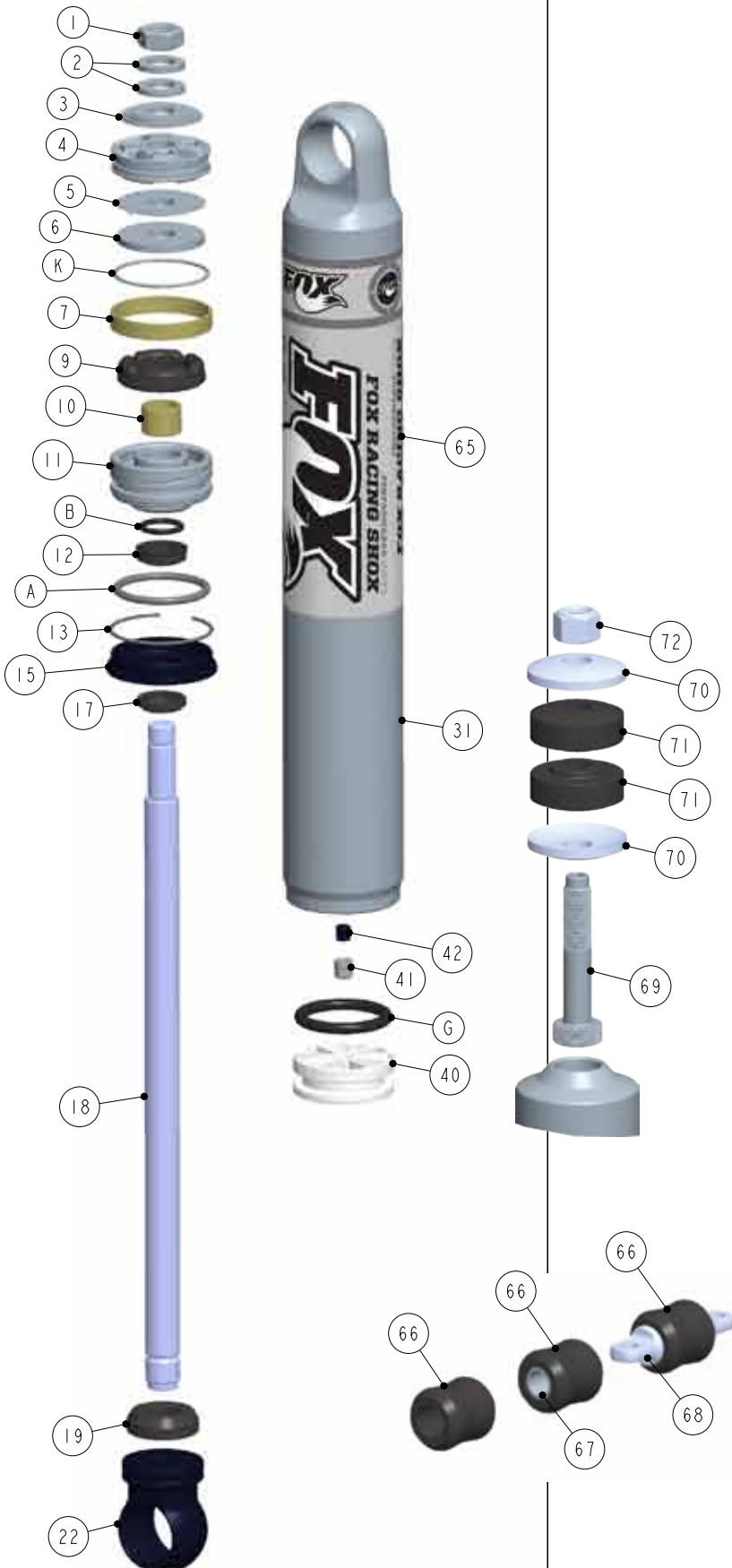


2.0 P.S. IFP SHOCK

EXPLODED VIEW DIAGRAM



PARTS

#	DESCRIPTION	#	DESCRIPTION
1	Piston Lock Nut	38	Reservoir Decal
2	Back-Up Washer	39	IFP Wear Band
3	Rebound Valve Stack	40	IFP
4	Damping Piston	41	Air Valve Housing
5	Compression Valve Stack	42	Air Valve Core
6	Top-Out Washer	43	Air Valve Cap
7	Damping Piston Wear Band	44	Piggy Back Bridge
8	Shaft Spacer	45	Piggy Back Lock Ring
9	Top-Out Bumper	46	Piggy Back Bridge Bolt
10	Internal Bearing	47	Air Shock Spring
11	Bearing Housing	48	Spring Retainer Adapter
12	Bearing U-Cup Seal	49	Bump Stop Pad Nut
13	Retaining Ring	50	Bump Stop Pad Bolt
14	Spring Guide Retainer	51	Bump Stop Pad
15	Bearing Cap	52	Bypass Reservoir Tube
16	Bearing Set Screw	53	Bypass Reservoir Fitting
17	Bearing Cap Wiper Seal	54	Bypass Tube
18	Shaft	55	Bypass Piston
19	Bottom-Out Bumper	56	Bypass Spring
20	Spring Retainer	57	Bypass Plunger
21	Spring Retainer Clip	58	Bypass End Cap
22	Eyelet	59	Adjustment Screw
23	Eyelet Spacer/Reducer	60	Adjustment Screw Lock Nut
24	Eyelet Retaining Ring	61	Reducer Bushing
25	Spherical Bearing	62	Internal Body
26	Body Cap	63	Internal Bypass Valve Stack Nut
27	Preload Back-Up Ring	64	Internal Bypass Valve Stack
28	Preload Ring	65	Body Decal
29	Crossover Ring	66	Eyelet Bushing
30	Crossover Ring Set Screw	67	Eyelet Sleeve
31	Body	68	Eyelet Bar Pin
32	Spring Divider	69	Stem
33	Spring Guide	70	Stem mount washer
34	Reservoir Hose Adapter	71	Stem mount bushing
35	Remote Reservoir Hose	72	Stem mount nut
36	Reservoir End Cap		
37	Reservoir		

O-RINGS

#	DESCRIPTION
A	Bearing Housing
B	Shaft Bearing
C	Spring Retainer
D	Body Cap
E	Air Valve Housing
F	Reservoir End Cap
G	IFP
H	Piggy Back Bridge
I	Piggy Back Bridge Port
J	Ø 1.25 Shaft Bottom-Out Bumper
K	Piston