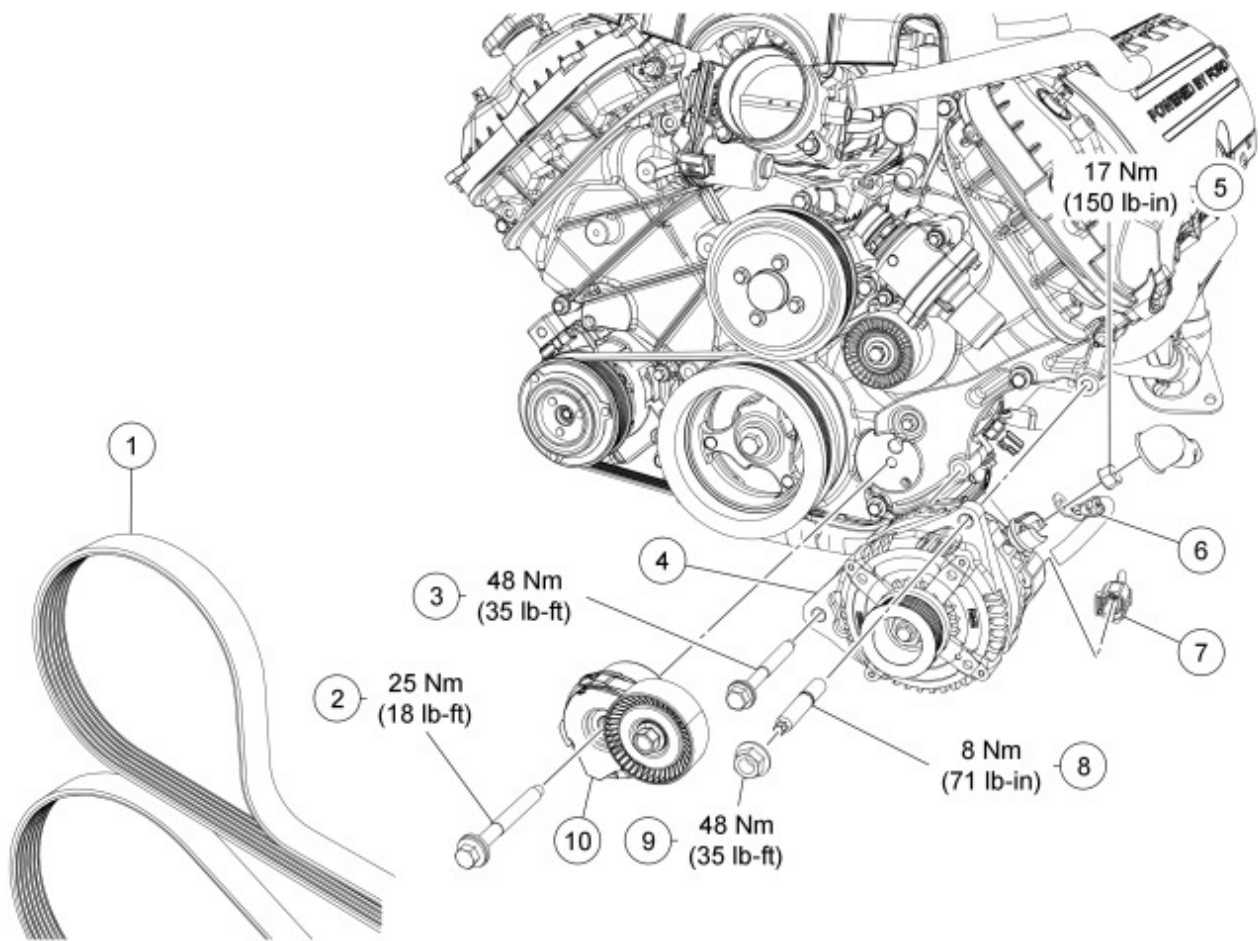


NO PART OF THIS DOCUMENT MAY BE REPRODUCED WITHOUT PRIOR AGREEMENT AND WRITTEN PERMISSION OF FORD RACING PERFORMANCE PARTS.

!!! PLEASE READ ALL OF THE FOLLOWING INSTRUCTIONS CAREFULLY PRIOR TO INSTALLATION.

Alternator – BOSS 302



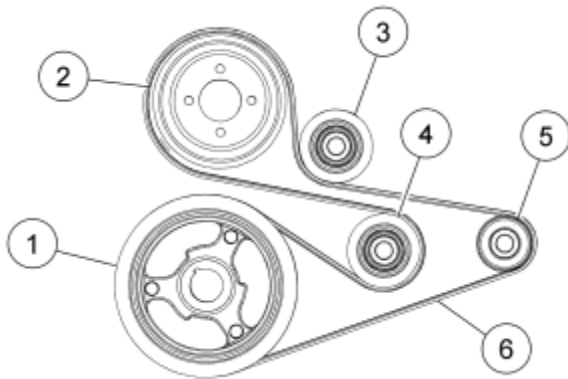


M-8600-M50BALT BOSS 302 Alternator INSTRUCTION SHEET

NO PART OF THIS DOCUMENT MAY BE REPRODUCED WITHOUT PRIOR AGREEMENT AND WRITTEN PERMISSION OF FORD RACING PERFORMANCE PARTS.

Item	Part Number	Description
1	8620	Front End Accessory Drive (FEAD) belt (in kit)
2	W707288	FEAD belt tensioner bolt (in kit)
3	W715092	Alternator bolt (in kit)
4	10346	Alternator (in kit)
5	W711953	Alternator B+ terminal nut (reference only)
6	—	Alternator B+ terminal (reference only)
7	—	Alternator electrical connector (reference only)
8	W710217	Alternator stud (in kit)
9	W520414	Alternator stud nut (in kit)
10	6B209	FEAD belt tensioner (in kit)

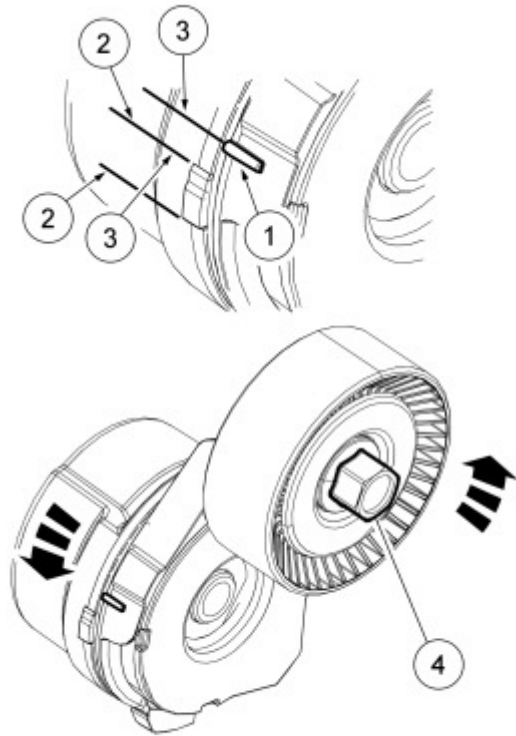
5.0L (4V) Front End Accessory Drive (FEAD)



Item	Part Number	Description
1	6316	Crankshaft pulley (on engine)
2	8A528	Coolant pump pulley (on engine)
3	19A216	Accessory drive belt idler pulley (on engine)
4	6B209	Accessory drive belt tensioner pulley
5	10346	Alternator and pulley
6	8620	Accessory drive belt

NO PART OF THIS DOCUMENT MAY BE REPRODUCED WITHOUT PRIOR AGREEMENT AND WRITTEN PERMISSION OF FORD RACING PERFORMANCE PARTS.

Belt Tensioner With Belt Length Indicator — 5.0L



Item	Description
1	Belt length indicator
2	Acceptable belt installation and wear range
3	Belt replacement range
4	Belt tension relief point



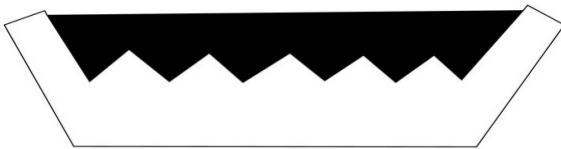
M-8600-M50BALT BOSS 302 Alternator INSTRUCTION SHEET

NO PART OF THIS DOCUMENT MAY BE REPRODUCED WITHOUT PRIOR AGREEMENT AND WRITTEN PERMISSION OF FORD RACING PERFORMANCE PARTS.

Incorrect Installation



Correct Installation



With the engine running, check accessory drive belt tracking on all pulleys. If the edge of the accessory drive belt rides beyond the edge of the pulleys, noise and premature wear will occur. Make sure the accessory drive belt rides correctly on the pulley. If an accessory drive belt tracking condition exists, proceed with the following:

- Visually check the accessory drive belt tensioner for damage and wear, especially the mounting pad surface and arm alignment. If the accessory drive belt tensioner is not installed correctly, the mounting surface pad will be out of position. If the tensioner arm is worn, the arm will be out of alignment. Either of these conditions will result in chirp and squeal noises.
- With the engine running, visually observe the grooves in the pulleys (not the pulley flanges or the pulley forward faces) for excessive wobble. Install new components as necessary.
- Check all accessories, mounting brackets and the accessory drive belt tensioner for any interference that would prevent the component from mounting correctly. Correct any interference condition and recheck the accessory drive belt tracking.
- Tighten all accessories, mounting brackets and accessory drive belt tensioner retaining hardware to specification. Recheck the accessory drive belt tracking.

Replacement belt: CR3Z-8620-A or Motorcraft JK6678