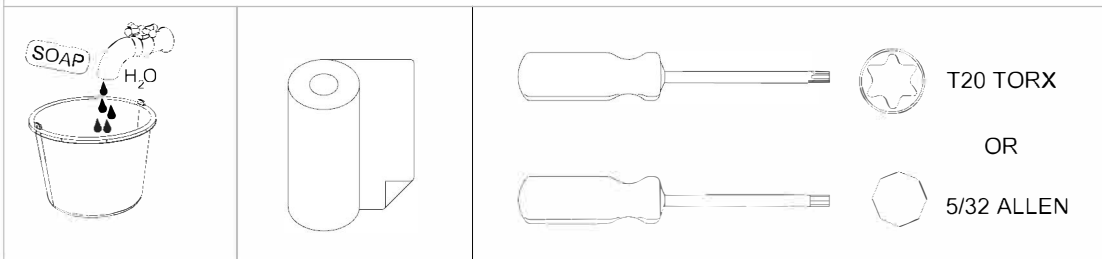
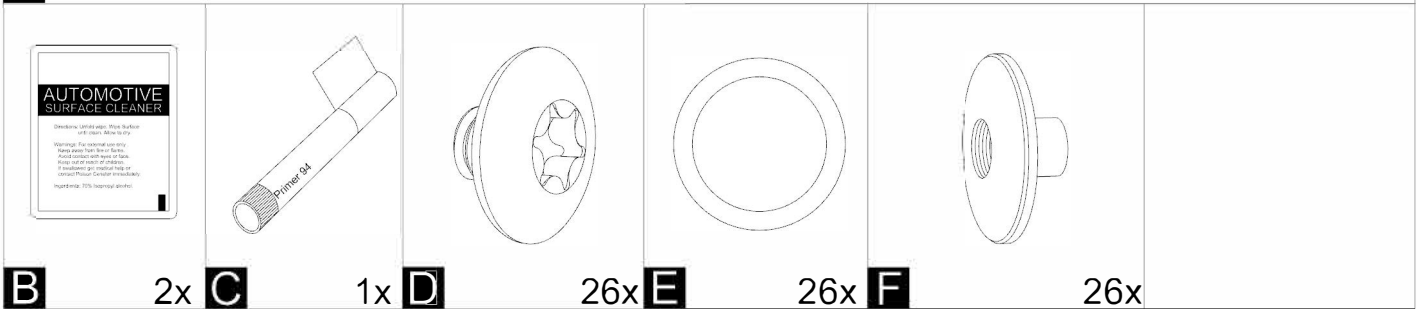
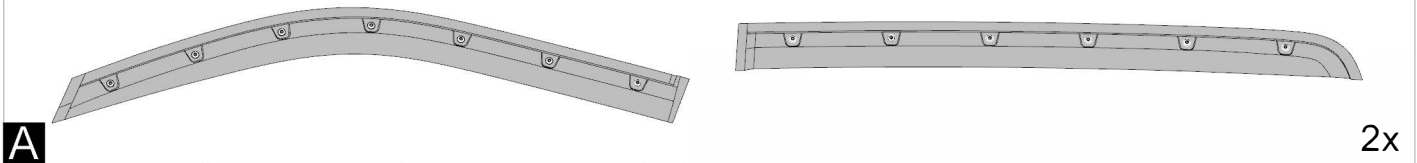


# Ford F150 2015-up Super Crew Raptor 2017-up Super Crew Superduty (250-550) 2017-up Super Crew

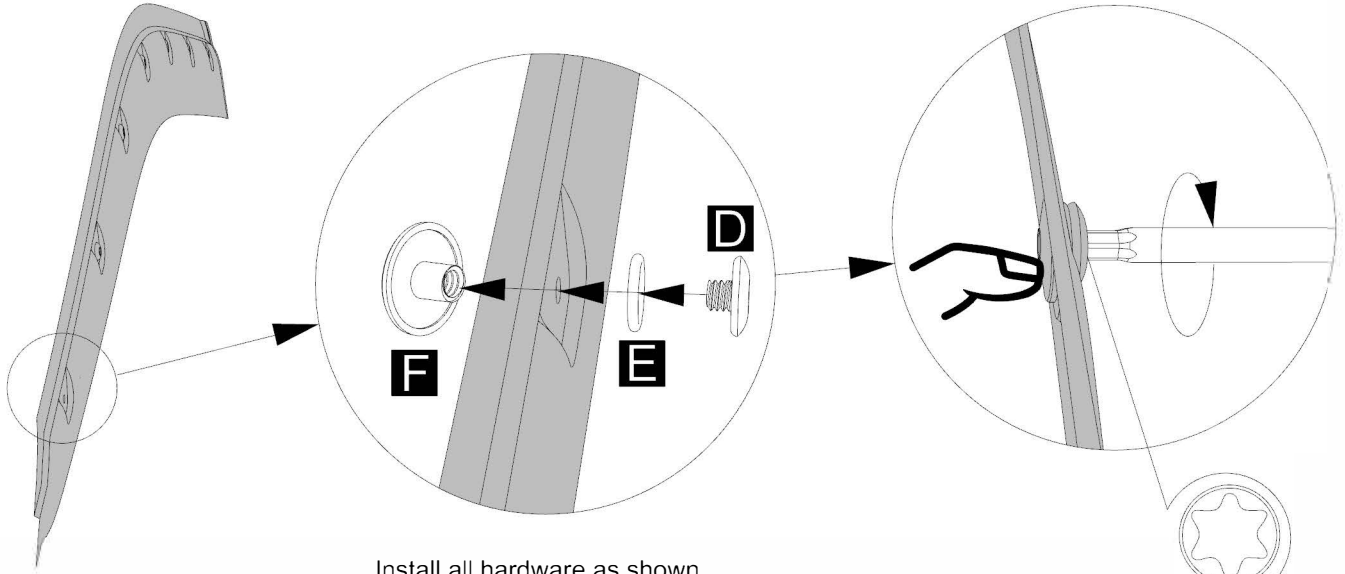
TV 8A15SCR

## INSTALLATION ASSISTANCE

If any installation hardware is missing or lost, or you have any problems or questions during the installation of your new product, please contact the manufacturer for assistance. Do not contact your retailer.



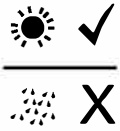
**1** X 26



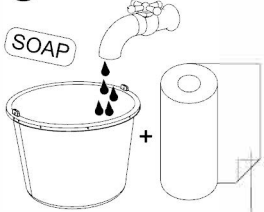
Install all hardware as shown.

X 26

110 °F 40 °C  
70 °F 21 °C



**2**

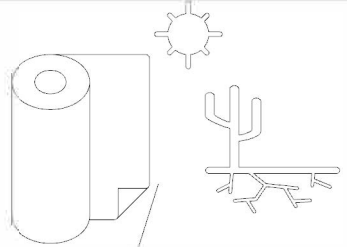


**3**

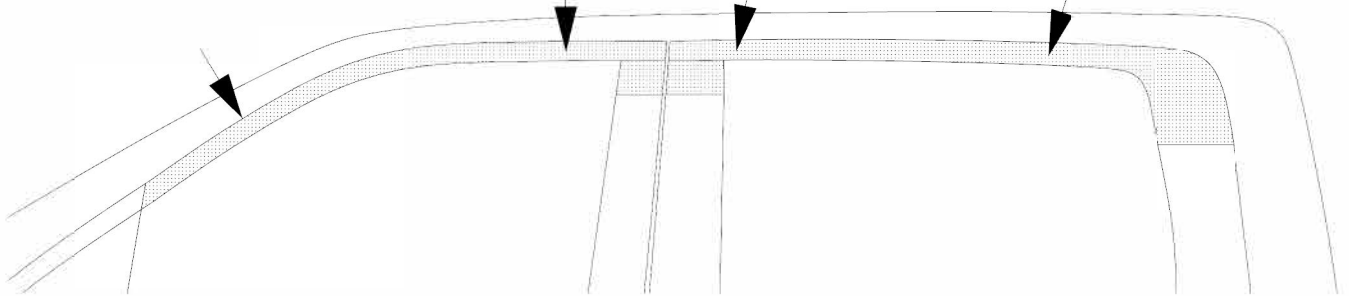
**B**



**4**

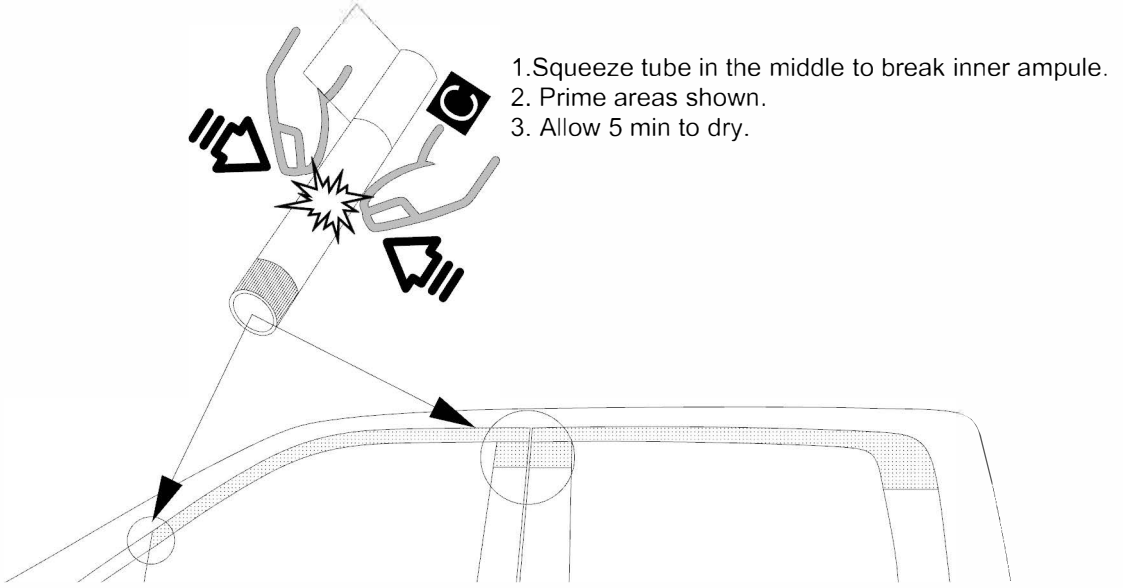


Top of the door frame

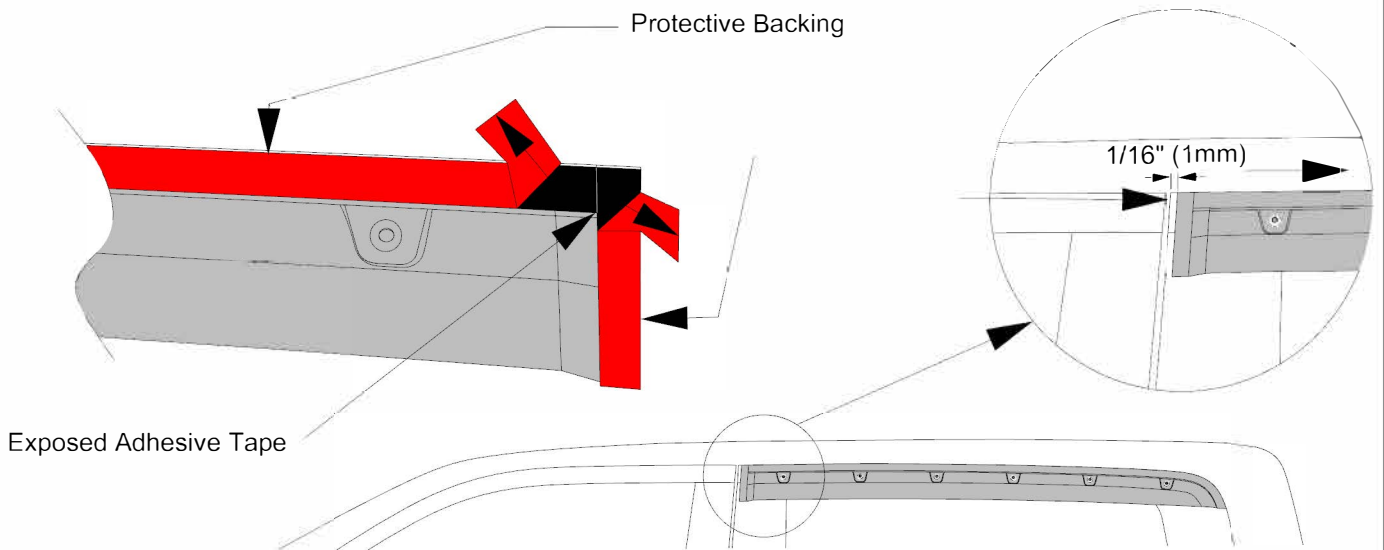


Clean and dry mounting areas- both sides of the truck

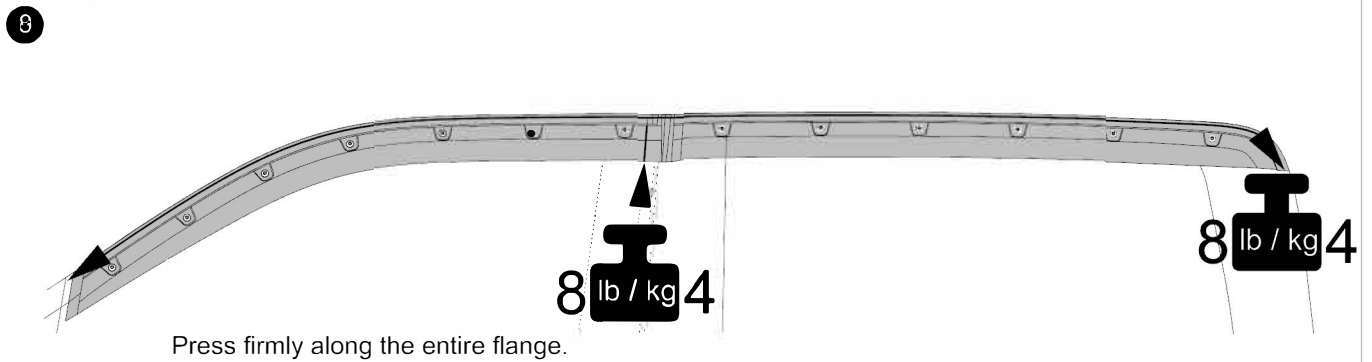
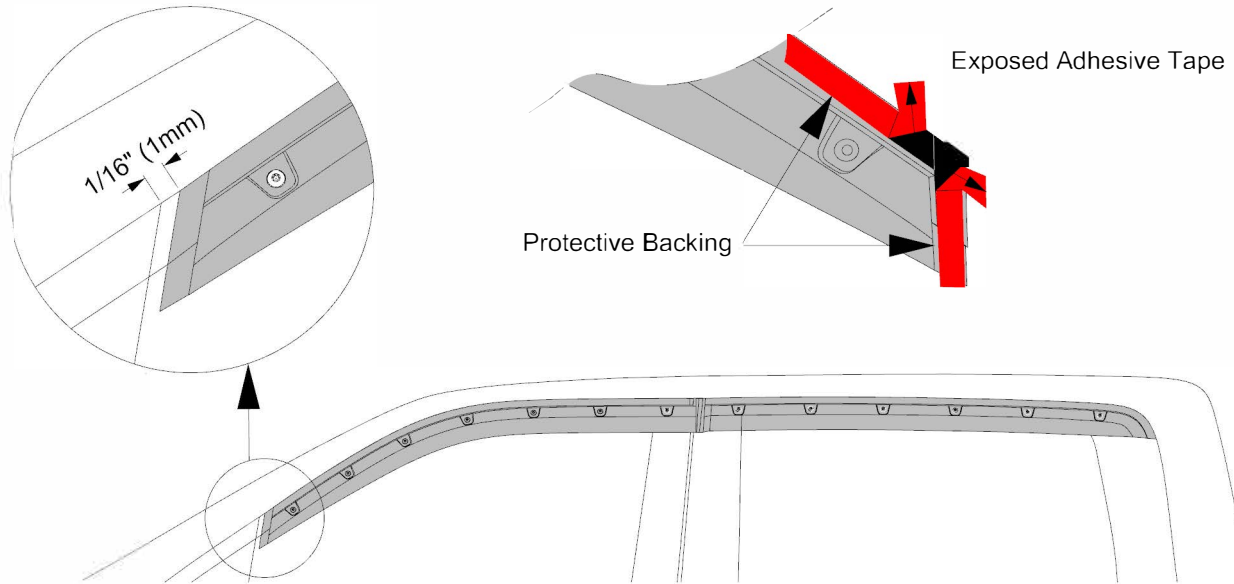
- 5** Prime black vinyl door trim only!  
Prime both sides of the truck!



- 6** Install the rear visor, start at the front of the door as shown. Working from the front of the visor remove the red backing while pressing the visor in place in alignment with the top of the door frame.



- 7 Install the front visor, start at the front of the door as shown. Working from the front of the visor remove the red backing while pressing the visor in place in alignment with the top of the door frame.



- 8 Repeat steps 6-8 for the passenger side.