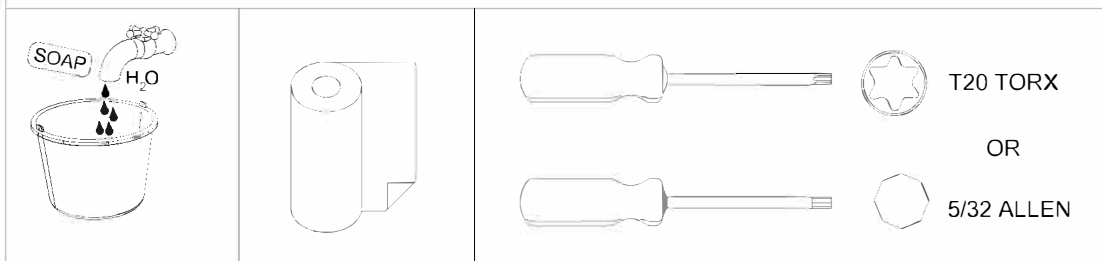
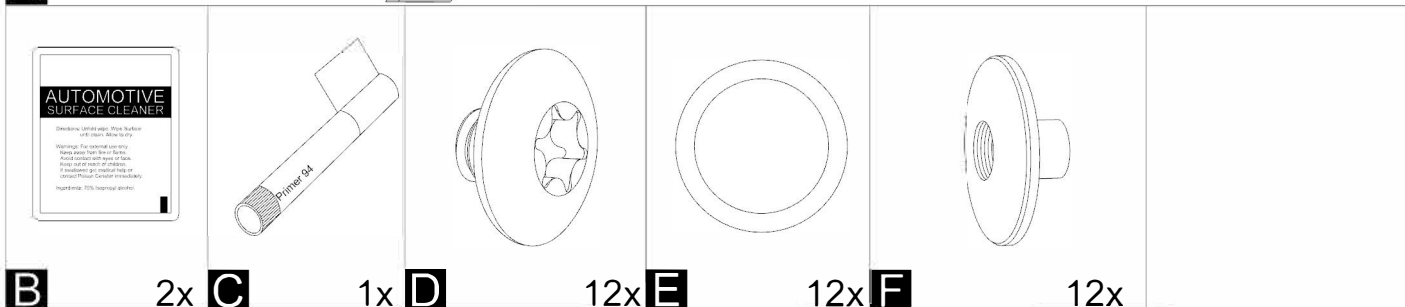
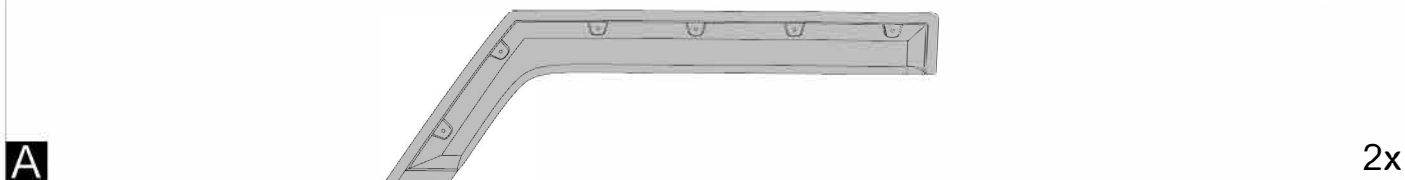


Jeep Wrangler JL 2018-up 2 Door

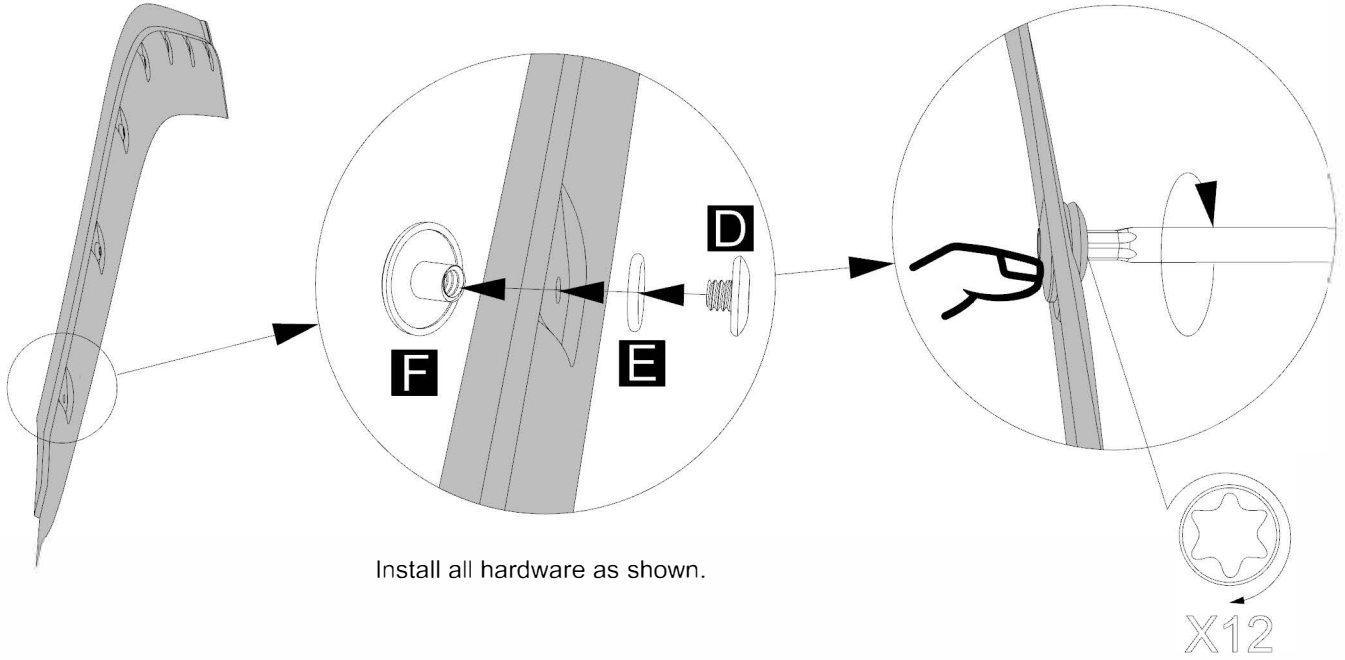
TV 7W18-2

INSTALLATION ASSISTANCE

If any installation hardware is missing or lost, or you have any problems or questions during the installation of your new product, please contact the manufacturer for assistance. Do not contact your retailer.



1 X 22



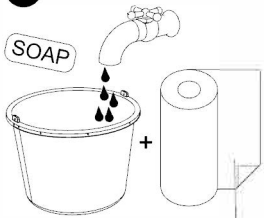
Install all hardware as shown.

X12

110 °F 40 °C
70 °F 21 °C



2

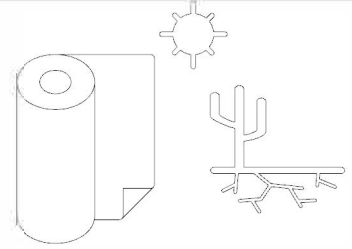


3

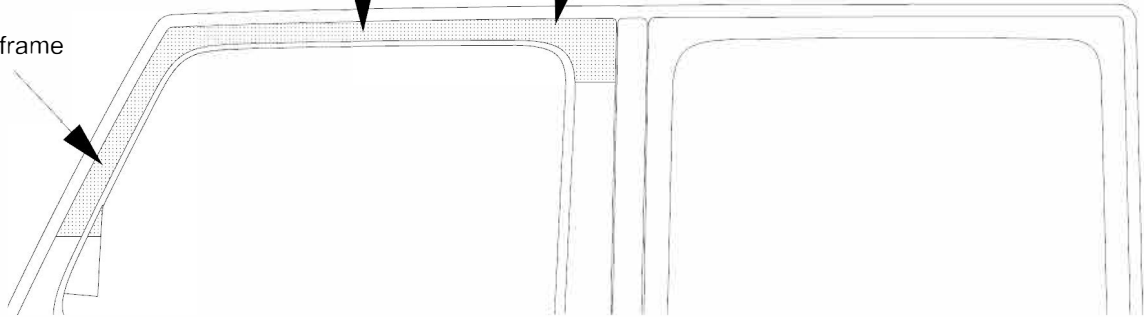


B

4



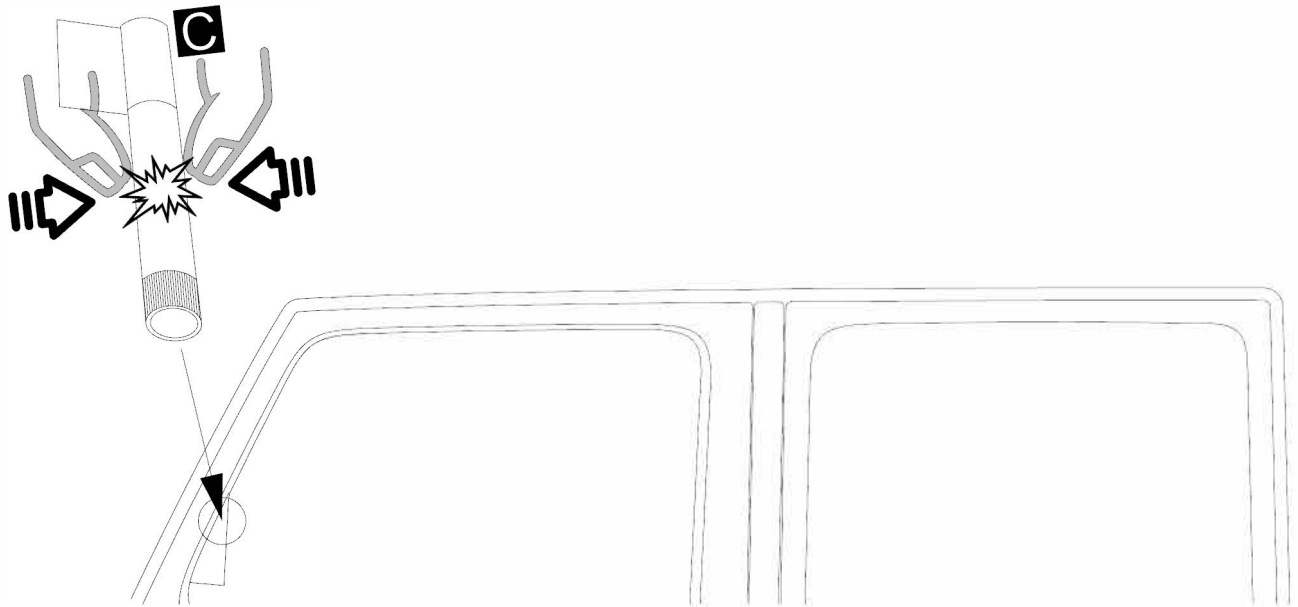
Top of the door frame



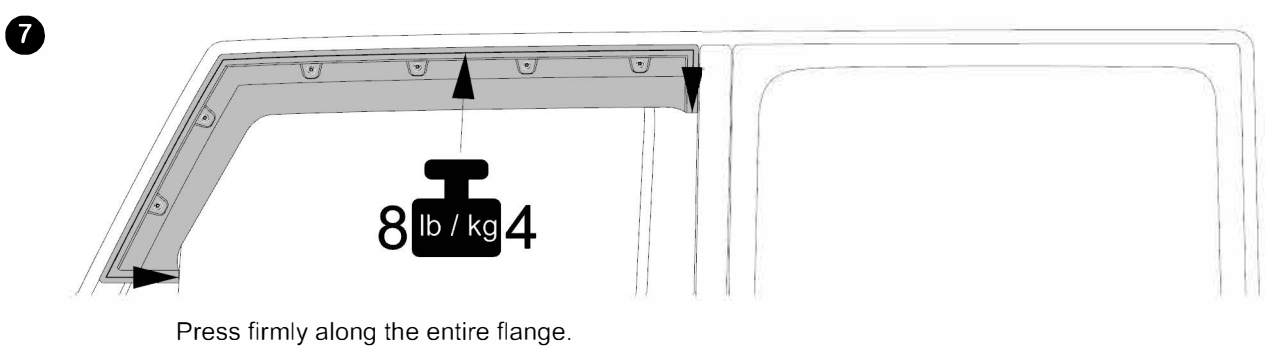
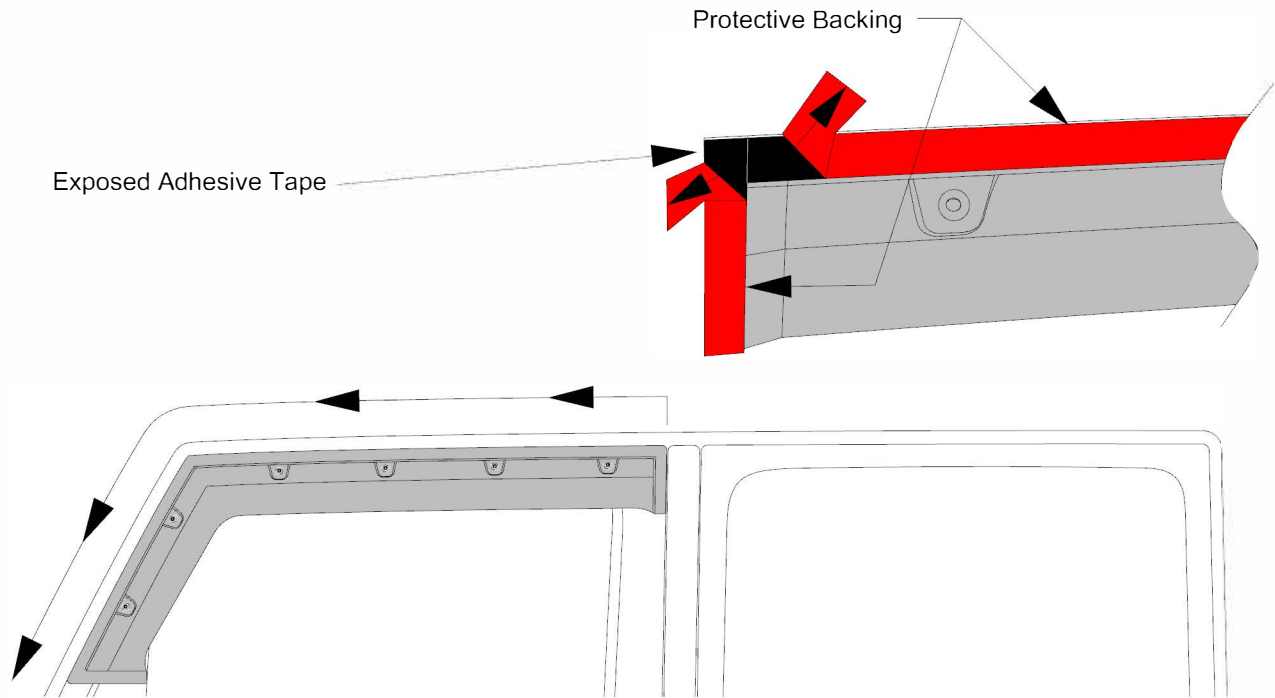
Clean and dry mounting areas- both sides of the vehicle

5 Prime edge of mirror base and black vinyl door trim only!
Prime both sides of the vehicle!

1. Squeeze tube in the middle to break inner ampule.
2. Prime areas shown.
3. Allow 5 min to dry.



6 Install the front visor, start at the rear of the door as shown. Working from the rear of the visor remove the red backing while pressing the visor in place in alignment with the top of the door frame.



6 Repeat steps 6-7 for the passenger side.