

# FORM FIT Hood Protector Installation Instructions

HD 9H17  
Honda CR-V (2017-up)

## HARDWARE KIT

- 5 – Bumpons
- 7 – Abrasion pads
- 7 – Mounting clips
- 7 – Pins
- 7 – Screws
- 7 – 'L' Brackets

## TOOLS REQUIRED

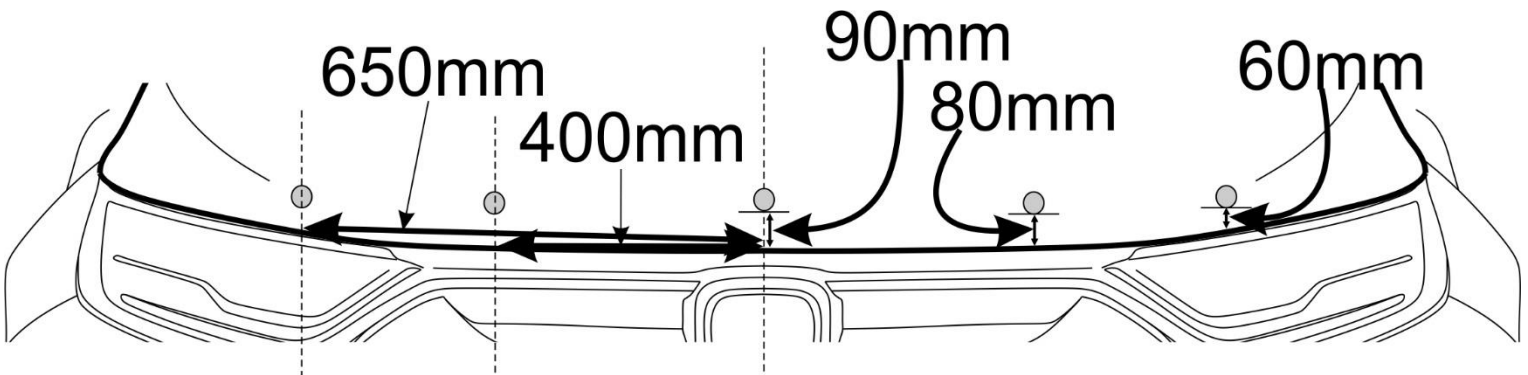
- 1 – Phillips Screwdriver # 2
- 1 – Tape Measure



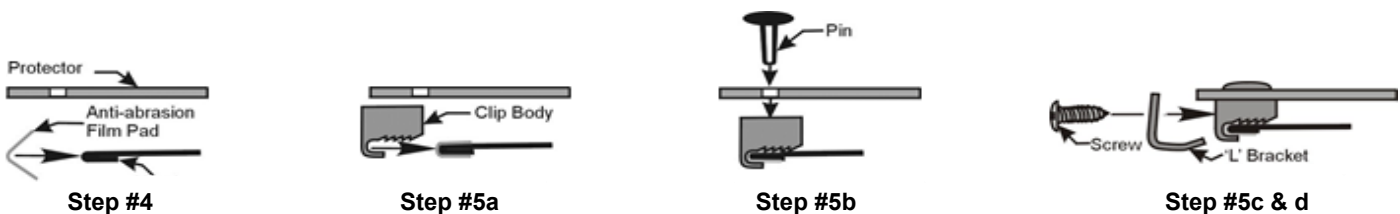
## INSTALLATION INSTRUCTION

1. Ensure the hood is clean and dry inside and out.
2. Install the bumpons on the hood as shown in *illustration #1*.  
**Attention: If bumpons are installed on the protector they will wear through the paint.**
3. Center the protector on the hood and rest it on the bumpons.
4. Peel and fold an anti-abrasion film pad in half over the edge of the hood under each of the three (3) holes in the protector over the grill.  
See the *illustration #2 – Step 4*.
5. a) Place a mounting clip over each of the anti-abrasion film pads. See *illustration #2 – Step 5a*.  
b) Insert a pin through the protector and into each of the clips. See *illustration #2 – Step 5b*.  
c) Insert a screw through an 'L'- bracket and into each of clips. See *illustration #2 – Step 5c & 5d*.  
d) Make sure all the components are well seated together and that the protector is centered on the hood. Tighten the screws into the clips.
6. **Repeat step #4 and #5 for the remaining (4) holes over the headlights.**
7. On some vehicles it may be necessary to adjust the hood bumpers and/or latch for proper clearance.

## ILLUSTRATION #1 – BUMPON LOCATION



## ILLUSTRATION #2 – CLIP CONFIGURATION



## CARE INSTRUCTIONS

Clean the protector with either a mild soap/water solution or utilize a plastic cleaner. Do not use chemicals or solvents. Periodically check to make sure the bumpons are in place and that the protector is secure. Avoid using automatic car washes and do not pull on the hood protector when opening or closing the hood.

Thank you for purchasing a FormFit hood protector. Retain this sheet for care instructions and kit information.