

Installation Instructions

Honda Pilot 2016-
Honda Ridgeline 2017-

HARDWARE KIT

- 5 – Bumpons
- 8 – Abrasion pads
- 8 – Mounting clips
- 8 – Pins
- 8 – Screws
- 8 – 'L' Brackets

TOOLS REQUIRED

- 1 – Phillips Screwdriver # 2
- 1 – Tape Measure



INSTALLATION INSTRUCTION

1. Ensure the hood is clean and dry inside and out.
2. Install the bumpons on the hood as shown in *illustration #1* **Attention: If bumpons are installed on the protector they will wear through the paint!!!!**
3. Insert a pin through the each of the four (4) holes in the hood protector above the grill and into a mounting clip. See *illustration #2 – Step 3*.
4. Center the protector on the hood and rest it on the bumpons and mounting clips.
5. Peel and fold four (4) abrasion pads in half over the edge of the hood under the four (4) mounting clips. See *illustration #2 – Step 5*. Note the abrasion pads wrap around the hood edge and **under** the rubber gasket.
6. a) Starting with the innermost locations, insert a screw through an "L" bracket and into each of the four (4) mounting clips. See *illustration #2 – Step 6a*. Note the "L" brackets install **under** the rubber gasket.
- b) Ensure all components are properly seated together and that the protector is centered on the hood. Tighten the screws into the mounting clips. See *illustration #2, step 6b*.
7. **Repeat steps #3, 5, 6a and 6b for the remaining four (4) holes over the headlights.**
8. On some vehicles it may be necessary to adjust the hood bumpers and/or latch for proper clearance.

NOTE: Do not pull on the protector when opening or closing the hood.

CARE INSTRUCTIONS

Clean the protector with a either a mild soap/water solution or use a plastic cleaner. Do not use chemicals or solvents. Periodically check to make sure the bumpons are in place and that the protector is secure. **Avoid using automatic car washes.**

ILLUSTRATION #1 – BUMPON LOCATION

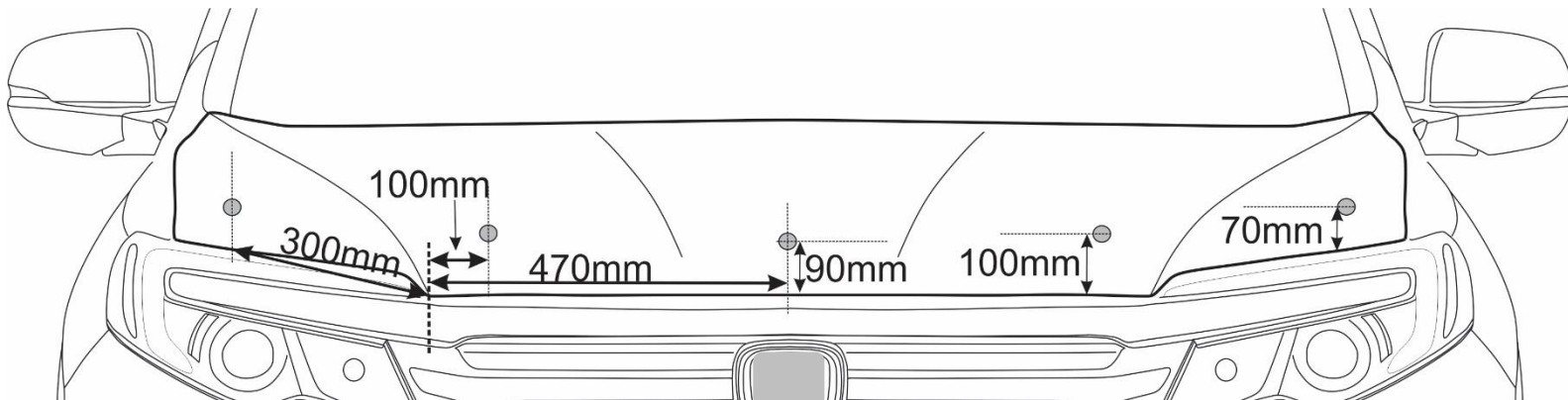
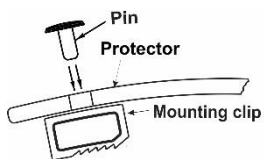
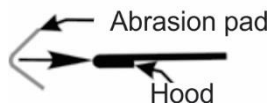


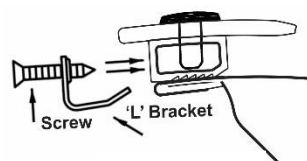
ILLUSTRATION #2 – CLIP CONFIGURATION – PATENT No. 6,892,427



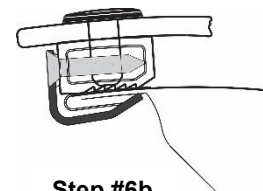
Step #3



Step #5



Step #6a



Step #6b

Thank you for purchasing a FormFit hood protector. Retain this sheet for care instructions and kit information.