

# FORM FIT HOOD PROTECTOR

Honda Civic Sedan (2012 only) Coupe 2012-13

HD 9A 12

## HARDWARE KIT

- 5 – Large Bumpons
- 4 – Anti-Abrasion Film Pads
- 4 – Clip Bodies
- 4 – Pins
- 4 – # 6 x 5/8" Flat Head Screws
- 4 – 'L' Brackets

## TOOLS REQUIRED

- 1 – Phillips Screwdriver # 2
- 1 – Tape Measure



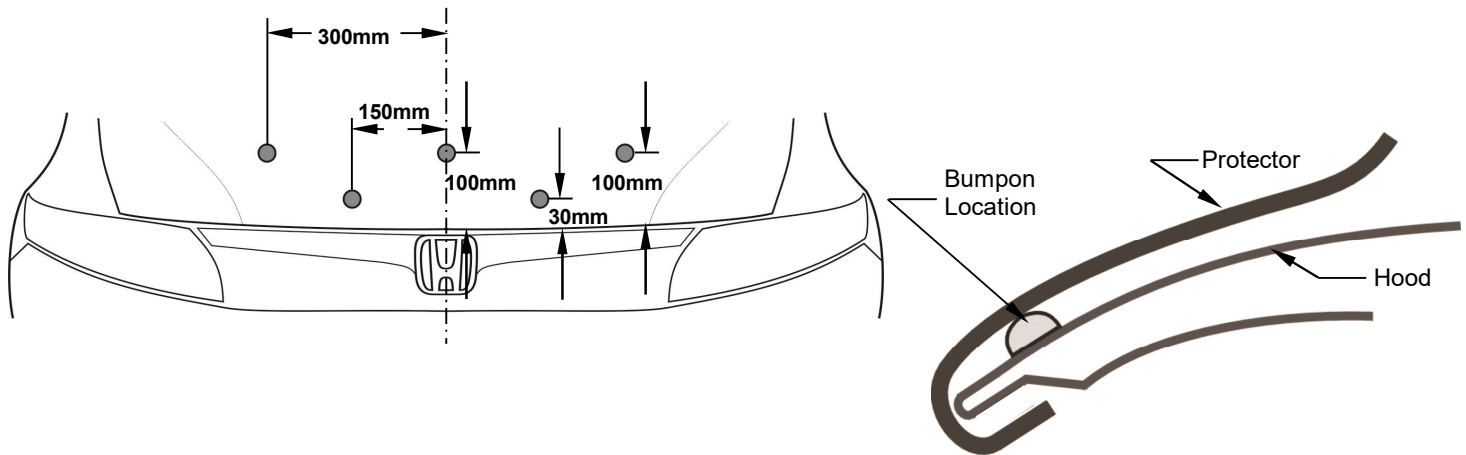
## INSTALLATION INSTRUCTION

1. Be sure that the hood is clean and dry inside and out. Release the hood, but do not open it.
2. Install the five (5) bumpons, on the hood as shown in *Illustration #1*. **Attention: The bumpons must be installed on the hood not on the protector!!!** If the bumpons are installed on protector, they will wear through the paint.
3. Center the protector on the hood, resting on the bumpons.
4. Peel and fold the anti-abrasion film pads in half over the edge of the hood. Place them underneath the two (2) inner holes in the protector. See the *illustrations #2 – Step 4*.
5. a) Place a clip over each of the anti-abrasion film pads. See *illustration #2 – Step 5a*.  
b) Insert a pin through the protector and into each of the clips. See *illustration #2 – Step 5b*.  
c) Insert the #6 x 5/8" screw through the 'L' bracket and into the clip. See *illustration #2 – Step 5c & 5d*.  
d) Make sure all the components are well seated together and that the protector is centered on the hood. Tighten the screws into the clips.
6. **Repeat step #4 and #5 for the remaining two (2) holes.**
7. On some vehicles it may be necessary to adjust the hood bumpers and/or latch for proper clearance.  
**NOTE: Do not pull on the protector when opening or closing the hood.**

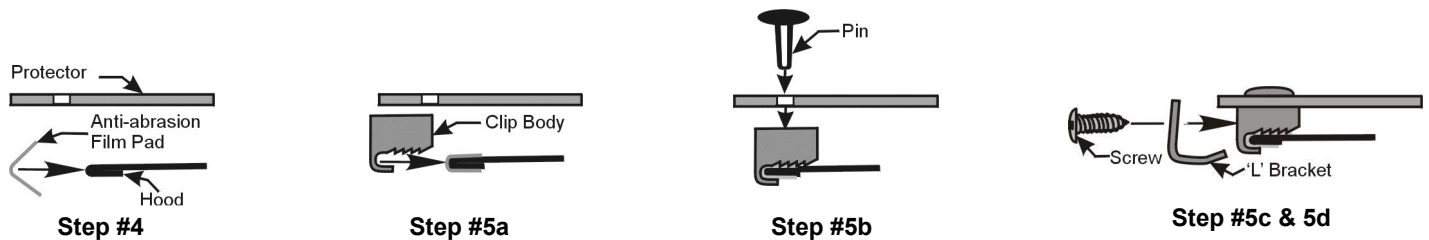
## CARE INSTRUCTIONS

Clean the protector with a either a mild soap/water solution or utilize a plastic cleaner. Do not use chemicals or solvents. Periodically check to make sure the bumpons are in place and that the protector is secure. Avoid using automatic car washes.

## ILLUSTRATION #1 – BUMPONS LOCATION



## ILLUSTRATION #2 – CLIP CONFIGURATION – PATENT No. 6,892,427



Thank you for purchasing a **FORM FIT** hood protector.  
Retain this sheet for care instructions and kit information.