



## Installation Instructions

Dodge Ram 1500 2009- up

### HARDWARE KIT

- 8 – Bumpons
- 7 – Abrasion pads
- 7 – Mounting clips
- 7 – Pins
- 7 – Screws
- 7 – 'L' Brackets

### TOOLS REQUIRED

- 1 – Phillips Screwdriver # 2
- 1 – Tape Measure

### INSTALLATION INSTRUCTION

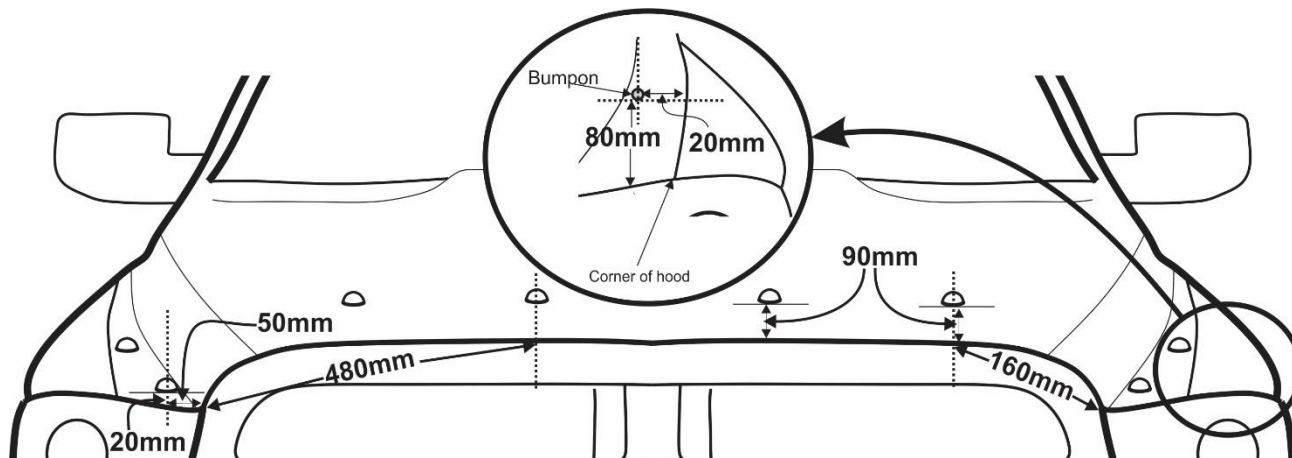
1. Ensure the hood is clean and dry inside and out.
2. Install the bumpons on the hood as shown in *illustration #1* **Attention: If bumpons are installed on the protector they will wear through the paint!!!!**
3. Insert a pin through the each of the five (5) holes in the hood protector above the grill and into a mounting clip. See *illustration #2 – Step 3*.
4. Center the protector on the hood and rest it on the bumpons and mounting clips.
5. Peel and fold five (5) abrasion pads in half over the edge of the hood under the five (5) mounting clips. See *illustration #2 – Step 5*
6. a) Starting with the middle location, insert a screw through an "L" bracket and into each of the five (5) mounting clips. See *illustration #2 – Step 6a*.  
 b) Ensure all components are properly seated together and that the protector is centered on the hood. Tighten the screws into the mounting clips. See *illustration #2, step 6b*.
7. **Repeat steps #3, 5, 6a and 6b for the remaining two (2) holes over the headlights.**
8. On some vehicles it may be necessary to adjust the hood bumpers and/or latch for proper clearance.

**NOTE: Do not pull on the protector when opening or closing the hood.**

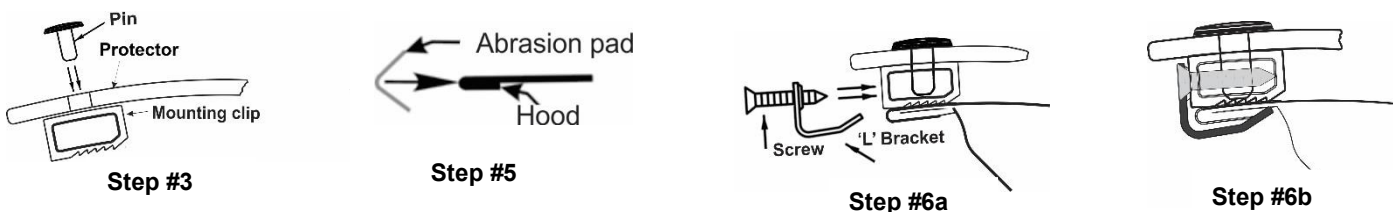
### CARE INSTRUCTIONS

Clean the protector with a either a mild soap/water solution or utilize a plastic cleaner. Do not use chemicals or solvents. Periodically check to make sure the bumpons are in place and that the protector is secure. **Avoid using automatic car washes.**

### ILLUSTRATION #1 – BUMPON LOCATION



### ILLUSTRATION #2 – CLIP CONFIGURATION – PATENT No. 6,892,427



Thank you for purchasing a **FormFit** hood protector. Retain this sheet for care instructions and kit information.