

FORM FIT Hood Protector Installation Instructions

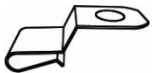
HD 30C14
Scion tC 2014-2016

Kit Contents



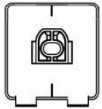
Large metal mounting Bracket (3)

Screws (6)



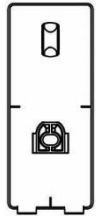
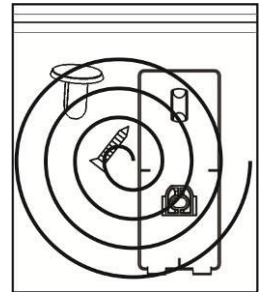
Small metal mounting Bracket (4)

Pins (6)

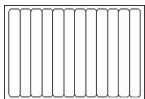


Small adhesive pedestals (4)

Installation tape assembly



Large adhesive pedestals (2)



Re-usable tape strips (1)

Anti-abrasion pads (7)



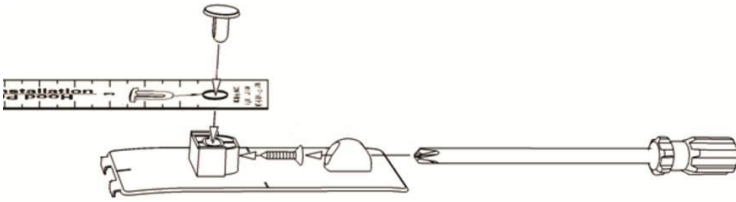
Surface cleaner (1)

Hood protector (1)



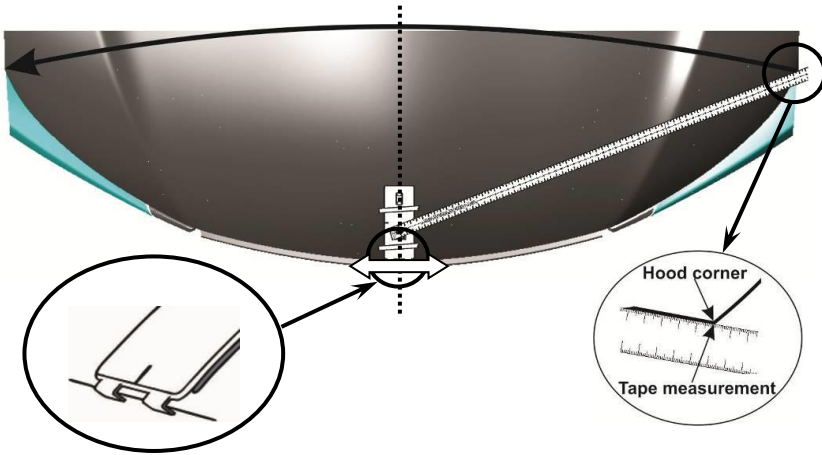
Installation Procedure

NOTE: Vehicle surface temperature should be a minimum 15 degrees Celsius.



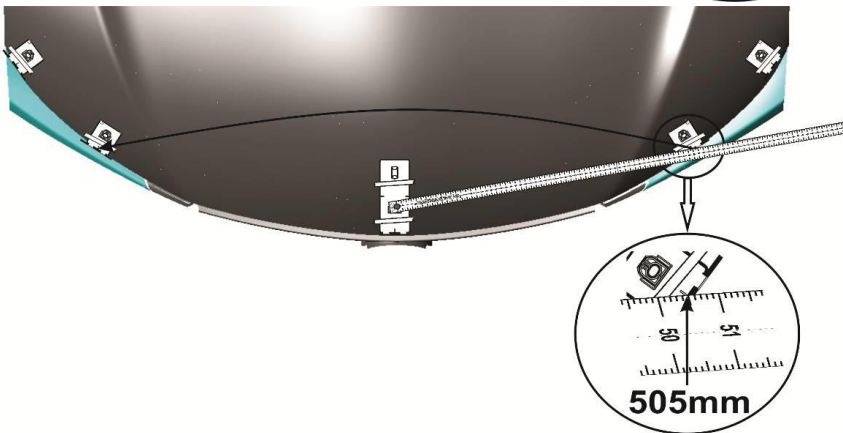
1. Ensure that the hood is clean and dry inside and out.
2. Insert the pin through the hole in the Hood Protector Installation Tape supplied and into the large adhesive pedestal.
3. Install the #6 x 5/8 flat head screw into the pedestal.
4. Use the installation tape assembly to determine center by measuring to opposite corners of the hood and adjust pedestal until both measurements are identical.

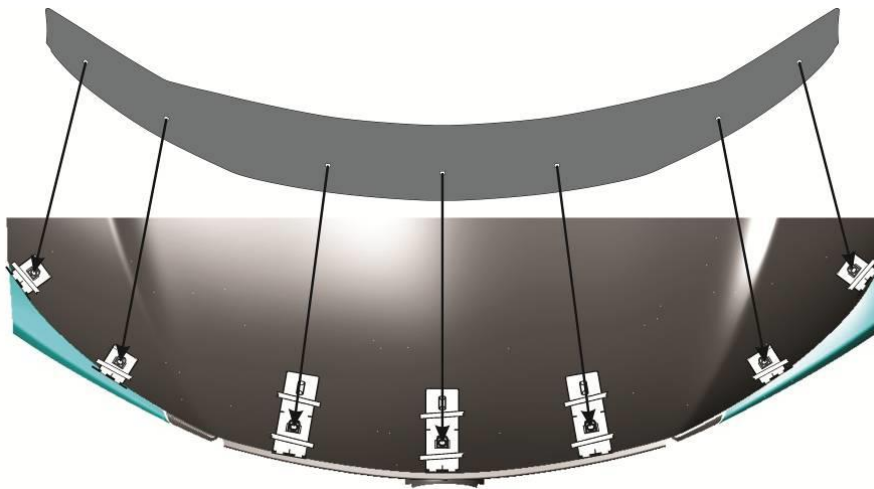
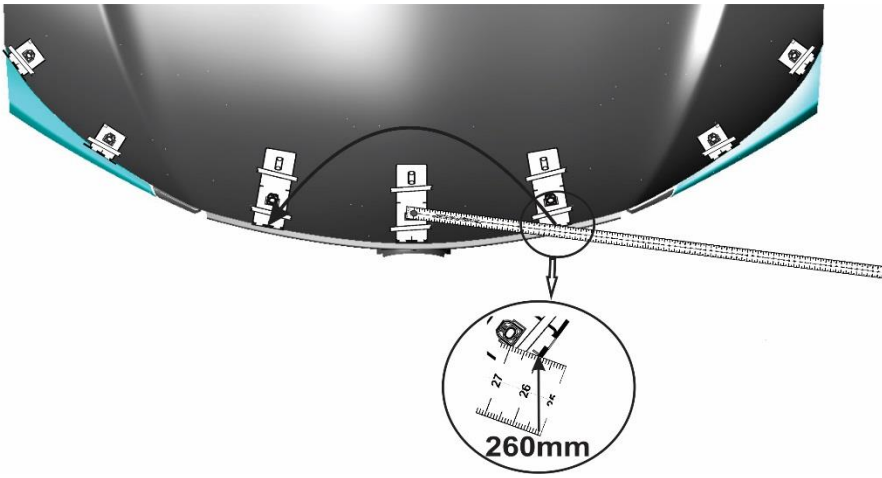
NOTE: When correctly positioned the fingers should contact the leading edge of hood.



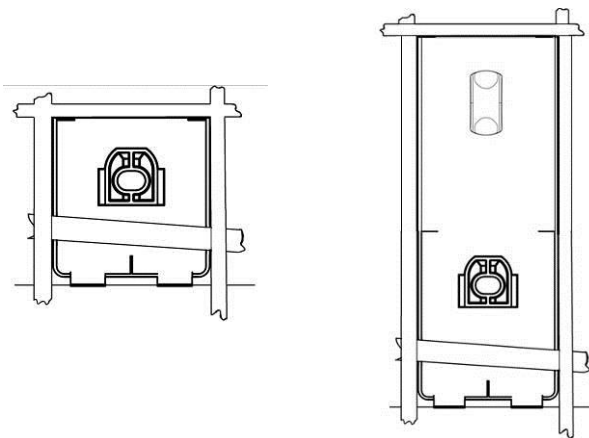
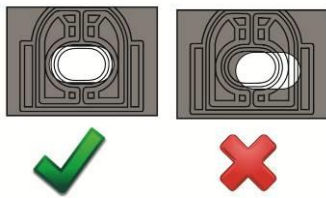
5. Use the center mark on the leading edge of the pedestals for accurate measuring.

Note: Measure to the center mark on the pedestals, not to the hood edge.

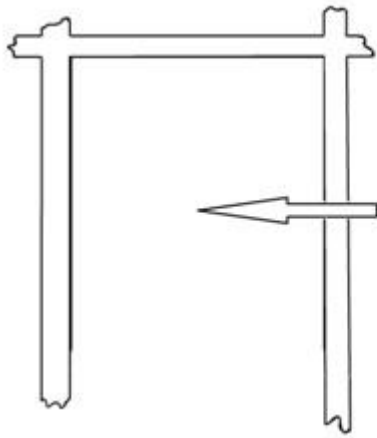




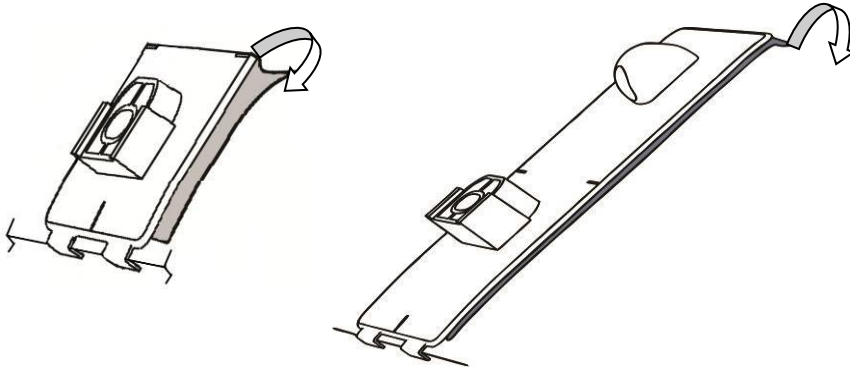
6. Place the hood protector on the pedestals to confirm proper positioning, make any necessary adjustments.



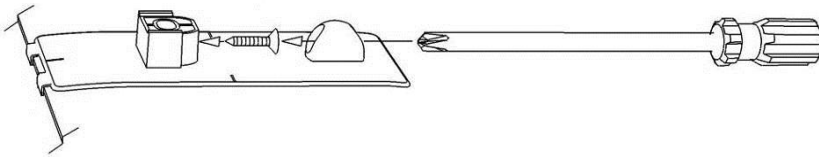
7. Remove the hood protector, and outline the perimeter of the pedestals with masking tape or the repositionable tape strips.



8. Remove the pedestals and thoroughly clean the outlined area with the alcohol wiping pad.



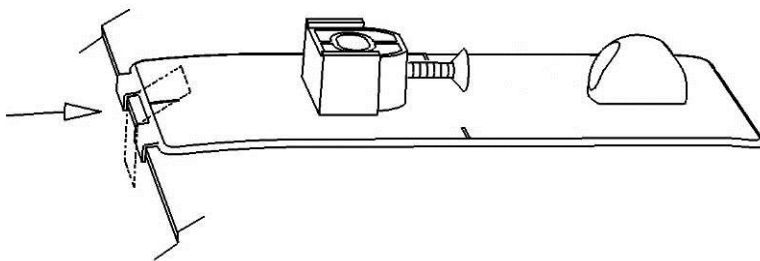
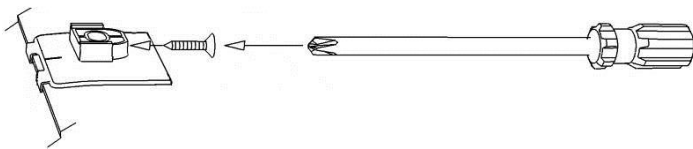
9. Remove the protective backing from the adhesive on the pedestals
10. Hook the fingers on the pedestal over the hood edge and rotate the unit into position.
11. Remove the masking tape and "wet out" the tape to the hood surface by applying pressure with your thumb around the surface of the pedestals.



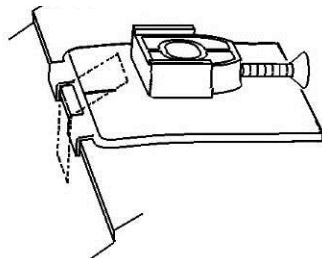
12. Start a #6 x 5/8 flat head screw in a few turns

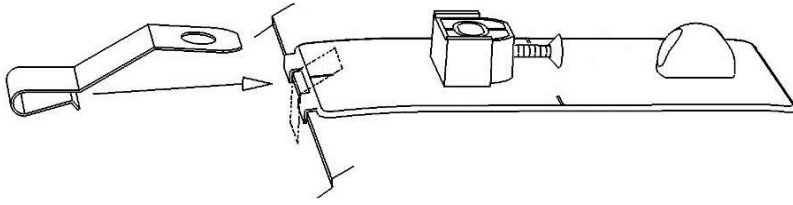


NOTE: The tip of the screw must not protrude into the hole where the attachment pin will install later.

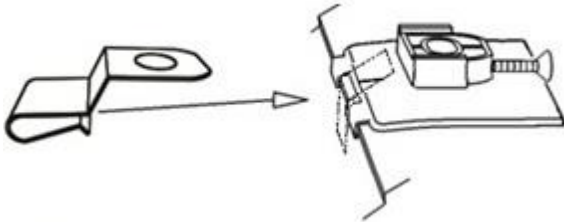


13. Peel and fold the small anti abrasion film pad in half over the hood edge between the fingers on the pedestal.

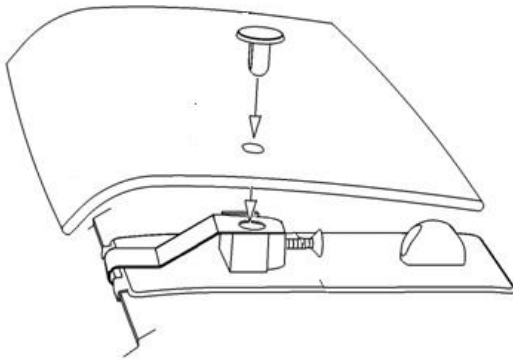




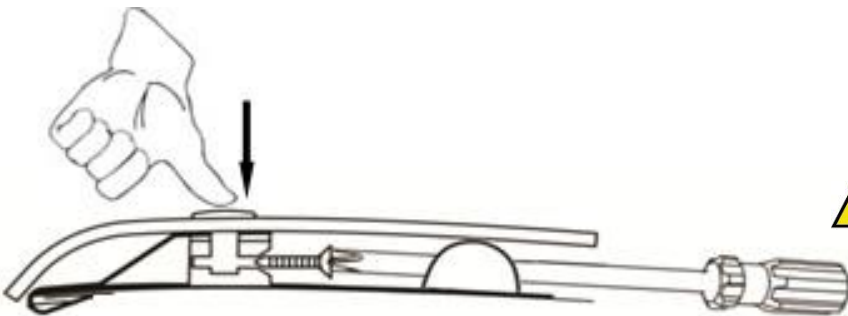
14. For the large adhesive pedestals over the grill, push a large metal mounting bracket over the hood edge and ensure the bracket is fully engaged



15. Repeat for the small pedestals using the small metal brackets over the headlights



16. At the three (3) large pedestal locations drop a pin through the protector and into the pedestal

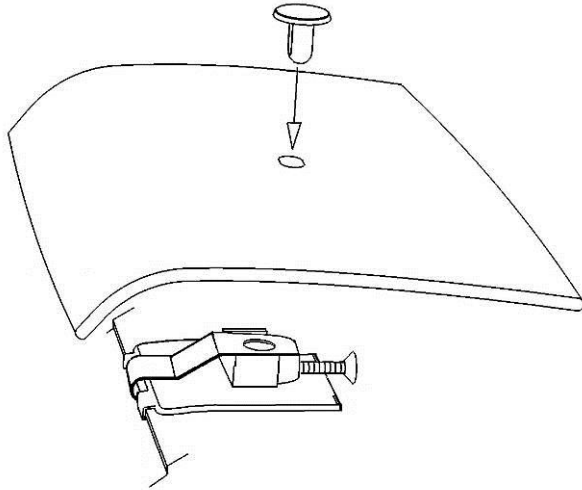


17. Maintain slight pressure on the pin, to ensure proper seating of the components, while simultaneously tightening the screw.

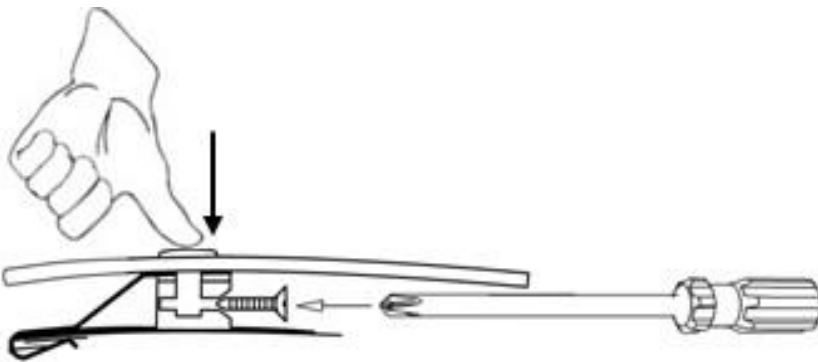


CAUTION: Be sure to take care not to scratch or damage the hood surface while tightening the screw.

NOTE: Proper installation of the adhesive pedestal system requires the use of a #2 Phillips screwdriver, preferably with a long shaft. Use of the correct screw driver will facilitate a trouble free installation. Do not attempt to use #1 or smaller Phillips screwdriver or any type of electric screwdriver. **See illustration.**



18. At the four (4) small pedestals, drop a pin through the protector and into the pedestal.



19. Maintain slight pressure on the pin, to ensure proper seating of the components, while simultaneously tightening the screw.

CARE INSTRUCTIONS

Clean the protector with a mild soap and water solution or plastic cleaner only. Do not use chemicals or solvents. **Periodically check to make sure the bumpons are in place and the protector is secure. Avoid using automatic car washes.** Do not pull on the protector when opening or closing the hood.