

#### HARDWARE KIT

- 3 – Large Bumpons
- 5 – 3M Anti-Abrasion Film Pads
- 5 – Clip Bodies
- 5 – 'L' Brackets
- 5 – Pins
- 5 – Screws

#### TOOLS REQUIRED

- 1 – Phillips Screwdriver # 2
- 1 – Tape Measure

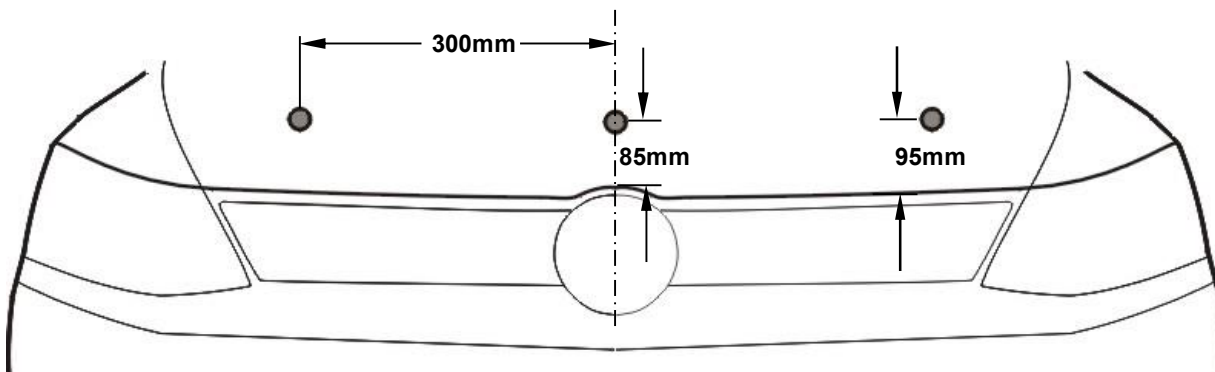


1. Be sure that the hood is clean and dry inside and out. Release the hood, but do not open it.
2. Install the bumpons as shown in Illustration #1. **Attention: The bumpons must be installed on the hood, not on the protector!!!** If the bumpons are installed on the protector, they will wear through the paint.
3. Center the protector on the hood, resting on the bumpons. Make sure the tab of the protector is underneath the rubber gasket on the underside of the hood.
4. Peel and fold an anti-abrasion film pad in half over the edge of the hood underneath the centre hole in the protector. See Illustrations #2 – Step #4.
5. a) Place a clip over the anti-abrasion film pad on the edge of the hood as shown below in Illustration #2 – Step #5a.  
b) Insert a pin through the protector into the clip. See Illustration #2 – Step #5b.  
c) Insert a screw, through an 'L'- bracket and into the clip. See Illustration #2 – Step #5c & 5d.  
d) Make sure all the components are well seated together; the protector is centered on the hood, and then tighten the screw into the clip.
6. **Repeat steps #4 and #5 for the other four (4) holes, starting with the inner two (2) first.**
7. On some vehicles it may be necessary to adjust the hood bumpers and/or latch for proper clearance.  
**Note: Do not pull on the protector when opening or closing the hood.**

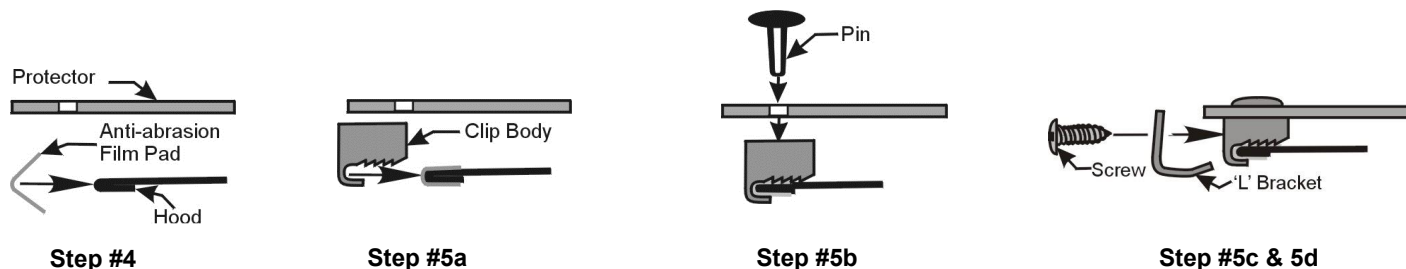
#### CARE INSTRUCTIONS

Clean the protector with a mild soap and water solution or plastic cleaner only. Do not use chemicals or solvents. Periodically check to make sure the bumpons are in place and the protector is secure. Avoid using automatic car washes. Do not pull on protector when opening or closing the hood.

#### Illustration #1 – Bumpon Location



#### Illustration #2 – Clip Configuration – Patent No. 6,892,427



Thank you for purchasing a **FORM FIT** hood protector. Retain this sheet for care instructions and kit information