



51525FLT HEADER DUAL KIT 52525FLT MANIFOLD DUAL KIT

1973-87 PU ½, ¾, 1 TON, & SUBURBAN (305-400)

NOTE: Will not fit vehicles with wheelbases longer than 131.5".

NOTE: 51525FLT header duals: This system was designed to fit with 11500FLT and 31500FLT. If this is to be installed with headers other than these, some modification may be necessary. FLOWTECH™ does not assume responsibility for fit or performance.

NOTE: This performance exhaust system is not supplied with mufflers or muffler U-clamps. For maximum performance, we recommend FLOWTECH™ Raptor turbo mufflers (P/N 50051FLT) or an equivalent 2 ¼" inlet and outlet single offset turbo muffler.

WARNING! This device is not legal for use on pollution-controlled motor vehicles. It is intended for use on vehicles that will never be driven upon a highway.

We realize that you had many choices when you chose your headers, and we thank you for choosing ours. At FLOWTECH™ we put many years of performance exhaust experience into every product we build. We feel and know you will agree that FLOWTECH™ Headers are the best you can buy at any price.

As a result of the restricted room available in some engine compartments, you may experience a close fit to some body and chassis components. This is a normal condition. If this is your first time installing a set of headers, it may be time consuming. While not complex, stick with it. As soon as you start your engine, the reward of additional horsepower and performance will be well worth your efforts. Proper installation and periodic maintenance will result in maximum performance and life from your FLOWTECH™ Headers.

READ THESE INSTRUCTIONS CAREFULLY BEFORE STARTING:

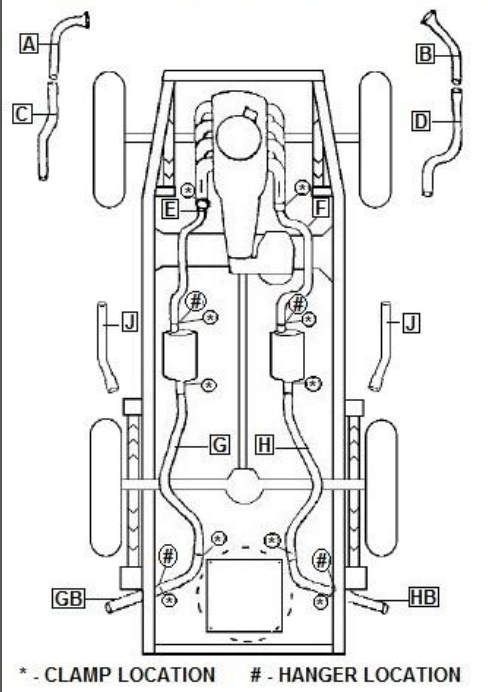
For ease of installation, your vehicle must be raised a minimum of 24". **Warning:** should you decide to install any exhaust product yourself, be warned that the original equipment jack that came with the vehicle is intended for emergency use only. The use of a frame jack in conjunction with a floor jack as the main support is highly recommended to minimize the accidental dropping of a vehicle while the installation proceeds. Never go under any vehicle that is supported by a bumper jack!

INSTALLATION INSTRUCTIONS:

1. Remove the existing header crossover and exhaust system. Save the gaskets and sleeves from the headpipes. Remove the old pipe hangers.
2. Install the new headpipes reusing the gaskets and sleeves mentioned above. Hand tighten only, as to hold pipe in place. Install the front and rear section headpipe (on header duals #51525FLT, install header extensions using 2 ½" U-clamps). Do not tighten.
3. Install the mufflers on the headpipes (or header extensions) per Figure 1. Put U-clamps in place, but do not tighten. Rotate the headpipes and mufflers to clear the transfer case, driveshaft, and frame. Over the front or rear of the muffler, you will find a crossmember or body mount that can be drilled to accept a 5/16" bolt and rubber hanger.
4. Models with 117.5" and 131.5" wheel bases, it will be necessary to install the front tailpipe extensions (51525FTEFLT). On the 117.5" wheelbase, cut approximately 14" off the front of pipe (see Figure 1).
5. Install the tailpipe sections with the hump in the pipe up over the rear axle housing to allow for maximum suspension clearance.
6. As the tailpipe exit under the frame to the rear of the vehicle, locate a hole in this area to mount the 90° metal bracket and hanger to. It may be necessary to drill a new hole as mentioned in #3 above. See Figure 1 for desired pipe location. Cut the end of the tailpipes for desired length.
7. Make sure all components of the exhaust system clear all frame members, hoses, suspension, and brake lines.
8. Starting from the front of the vehicle, tighten all U-clamps and hangers, making sure that all parts are clear and will not leak or rattle.

When you have finished installing your headers, take the vehicle for a road test. Listen carefully for any exhaust leaks or other strange noises and make corrections. When the vehicle has been driven for a few days, retighten the header bolts. We find that periodically checking the bolts will prevent the flange from warping and the header gasket from burning out.

TYPICAL VIEW - CHEVY/GMC PU/SUBURBAN



51525FLT HEADER DUAL KIT			
Part Number	Description	Qty	Ref
51525LHEFLT	LEFT HEADER EXTENSION	1	E
51525RHEFLT	RIGHT HEADER EXTENSION	1	F
51525LTP-AFLT	LEFT TAILPIPE A	1	G
51525LTP-BFLT	LEFT TAILPIPE B	1	GB
51525RTP-AFLT	RIGHT TAILPIPE A	1	H
51525RTP-BFLT	RIGHT TAILPIPE B	1	HB
51525FTEFLT	FRONT TAILPIPE EXTENSIONS	2	J
CL10004TNN	2 1/4" U-CLAMPS	6	
CL10008TNN	2 1/2" U-CLAMPS	4	
H16-5101FLT	TAILPIPE HANGERS	4	
UN3-5101FLT	HANGER BRACKETS	2	
56112-5804FLT	5/16-18X1 1/2 BOLTS	2	
56114-5804FLT	5/16-18X1 1/4 BOLTS	6	
56000-5805FLT	5/16-18 HEX NUTS	8	
56000-5803FLT	5/16 SPLIT LOCK WASHERS	8	
FW10-5807FLT	5/16 FENDER WASHERS	10	
BRL4-5101FLT	BRACKETS	2	
FML-6201FLT	FEMALE GROMMETS	2	
ML-6201FLT	MALE GROMMETS	2	

52525FLT MANIFOLD DUAL KIT			
Part Number	Description	Qty	Ref
52525LMHFLT	LEFT MANIFOLD HEADPIPE	1	A
52525RMHFLT	RIGHT MANIFOLD HEADPIPE	1	B
52525LRHFLT	LEFT REAR SECTION HEADPIPE	1	C
52525RRHFLT	RIGHT REAR SECTION HEADPIPE	1	D
51525LTP-AFLT	LEFT TAILPIPE A	1	G
51525LTP-BFLT	LEFT TAILPIPE B	1	GB
51525RTP-AFLT	RIGHT TAILPIPE A	1	H
51525RTP-BFLT	RIGHT TAILPIPE B	1	HB
51525FTEFLT	FRONT TAILPIPE EXTENSIONS	2	J
CL10004TNN	2 1/4" U-CLAMPS	6	
CL10008TNN	2 1/2" U-CLAMPS	4	
H16-5101FLT	TAILPIPE HANGERS	4	
UN3-5101FLT	HANGER BRACKETS	2	
56112-5804FLT	5/16-18X1 1/2 BOLTS	2	
56114-5804FLT	5/16-18X1 1/4 BOLTS	6	
56000-5805FLT	5/16-18 HEX NUTS	8	
56000-5803FLT	5/16 SPLIT LOCK WASHERS	8	
FW10-5807FLT	5/16 FENDER WASHERS	10	
BRL4-5101FLT	BRACKETS	2	
FML-6201FLT	FEMALE GROMMETS	2	
ML-6201FLT	MALE GROMMETS	2	