



## **FORCE II™ SYSTEM #17361**

**1999-2006 CHEVROLET / GMC C/K 1500 SERIES TRUCKS**

4.8L & 5.3L ENGINE · STANDARD CAB, LONG BED

### **Removal:**

- 1) Raise the vehicle up on a hoist or rack to working height.
- 2) Using a hacksaw or sawsall, cut the stock tailpipe off where it exits the muffler. (This step is not mandatory, but it makes removal a little easier.)
- 3) Support the muffler with a stand then separate the two wire hangers on the tailpipe from the rubber mounts on the vehicle. Remove the tailpipe and set aside.
- 4) Separate the wire hanger from the rubber mount in front of the muffler. Remove the two nuts at the muffler to converter flange connection and lower the muffler from under the vehicle.

### **Installation:**

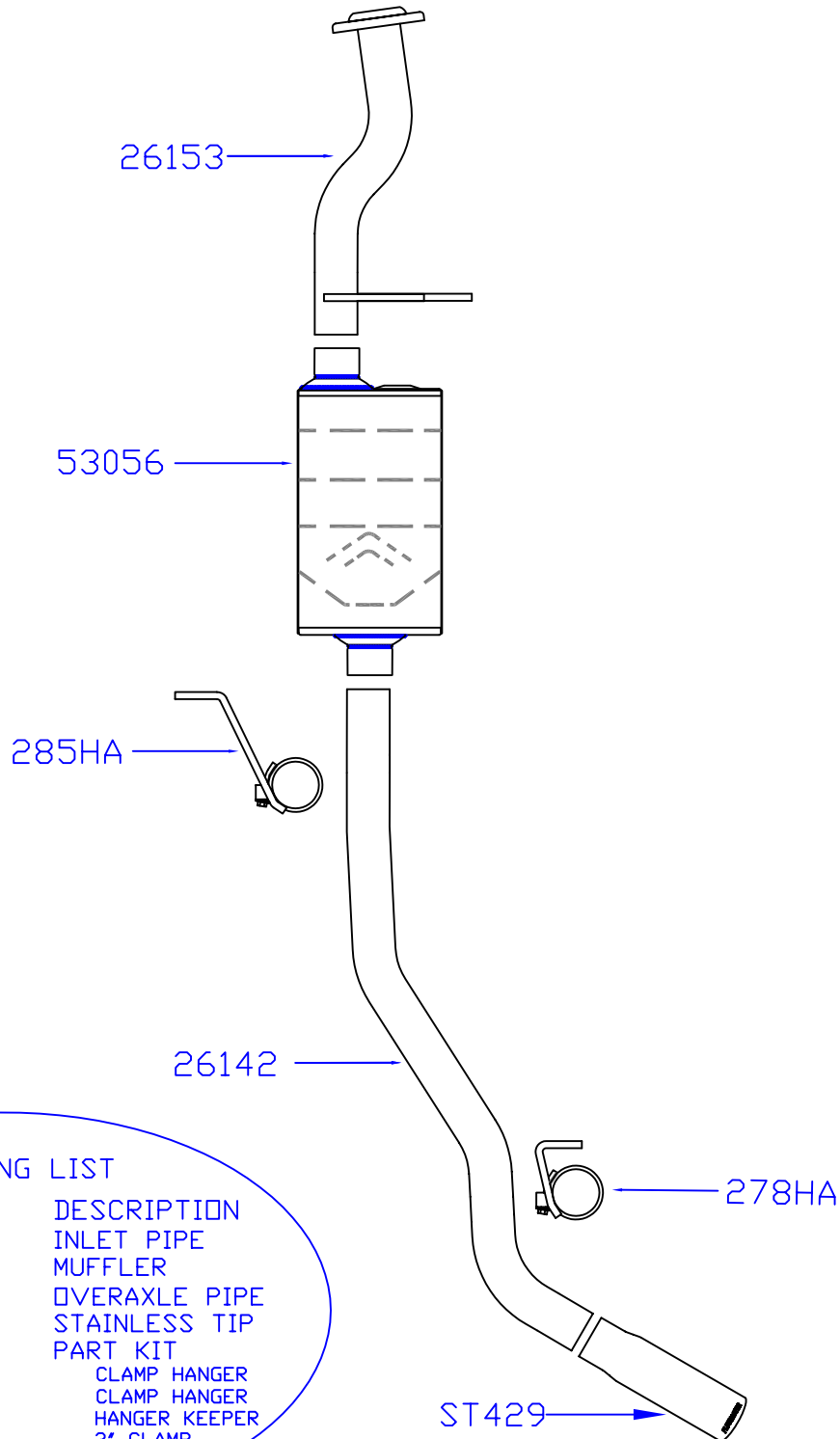
- 1) Before installing anything, prep the clamps supplied in the hardware kit by removing the nuts, and applying a thick lubricant such as white grease or anti-seize to the threads.
- 2) Place inlet pipe **#26153** into position behind the catalytic converter. Connect the wire hanger to its rubber mount and re-install the factory nuts onto the flange connection.
- 3) Connect the inlet of muffler **#53056** to the inlet pipe and support the muffler with a stand. Install one of the provided 3" clamps and tighten just enough to hold in position.
- 4) From the rear of the axle, slide tailpipe **#26142** into position over the rear axle and while holding the pipe, place clamp hanger **#285HA** onto the front of the pipe. Then slide the pipe into the muffler outlet. Connect the hanger to the rubber mount on the vehicle. Slide clamp hanger **#278HA** onto the rear of the pipe and into the rubber mount on the vehicle. The pipe should be approximately 1" away from the shock when adjusted.
- 5) Adjust the position of all muffler, pipes and tips to provide a satisfactory fit. Maintain a minimum of 3/4" clearance between the Flowmaster system, the drivetrain and chassis components, while also keeping suspension travel and vibration in mind. Then place stainless tip **#ST429** onto the end of the tailpipe and adjust to the desired location, clamp firmly in place.
- 6) Tighten down all clamped connections securely. After the system is secure, slide the 1/2" hanger keepers onto the end of the inlet pipe and tailpipe hangers and slide them up to the rubber mounts. This will prevent the hangers from slipping out of the rubber mounts.
- 7) For a cleaner appearance and more secure installation, we highly recommend welding all slip-fit connections. If you live in a geographical area that has harsh winters or sees a great deal of precipitation, the use of high temperature paint over the welded areas can help to prevent surface rust and premature corrosion.



**FORCE II™**

**Installation diagram for:  
SYSTEM #17361**

**1999-2006 CHEVROLET / GMC C/K 1500 SERIES TRUCK**  
4.8L & 5.3L ENGINE · STANDARD CAB, LONG BED



**PACKING LIST**

QTY.	PART#	DESCRIPTION
1	26153	INLET PIPE
1	53056	MUFFLER
1	26142	OVERAXLE PIPE
1	ST429	STAINLESS TIP
1	PK408	PART KIT
1	278HA	CLAMP HANGER
1	285HA	CLAMP HANGER
3	1/2"	HANGER KEEPER
2	MC300G	3" CLAMP