

PRODUCT CATALOG



Aerodynamic Solutions

Door Systems

Spray Control

Parts & Accessories

**FLEET
ENGINEERS**

Driving Forward™

**FLEET
ENGINEERS**

Driving Forward™

*Aerodynamic
Solutions*

Door Systems

Spray Control

*Truck and Trailer
Accessories & Parts*

For over 50 years, Fleet Engineers has built a solid reputation for producing quality truck and trailer products. As we continue to grow, our commitment to providing superior quality systems solutions and parts to our customers is growing with us. Our team of industry-best professionals is focused on continually expanding and improving our product lines, technology and capabilities to serve the commercial vehicle industry and to do our part in keeping your trucks on the road.



Order/Warranty Information..... 2

Aerodynamic Products 3-5

AeroFlap Aerodynamic Mud Flap	3
AeroSaver Trailer Side Skirt.....	4
Air Slipper Trailer Side Skirt.....	5

Spray Control..... 6-77

Quarter Fenders and Component Parts	6-15
Quarter Fender Top Flaps and Hardware	16-17
Quarter Fender Mounts and Component Parts	18-19
Standard-Duty Tandem Fenders.....	20-21
Smooth Skin Fenders, Mount and Conspicuity Plate	22-23
X-FLEX® Application Guide.....	24
X-FLEX® Mounting Technology, Pivot Bar®	25-28
Tandem Mounts and Component Parts	29-31
Heavy-Duty Tandem Fenders and Mounts.....	32-33
Spray Mate® Tandem Fenders and Accessories	34-39
Spray Master® Half Tandem/Double Radius Fenders and Accessories.....	40-45
Spray Master® Tandem Fenders and Accessories	46-50
Decorative Strips for Spray Mate® and Spray Master®	47
Plastic End Cap Application Chart.....	51
AeroFlap® Aerodynamic Mud Flap and Specialty Flaps	52-53
3/16" Poly, 5/16" Anti-Spray and Custom Mud Flaps.....	53-54
Custom Poly Mud Flap Order Form	55
Flap Plate Sets	56
Mounting Hardware.....	56
Spray Suppression Skirting Kits	57
Bar Type Mud Flap Brackets.....	58-61
Bracket Mounting Sets	62-63
Technical Information on Spring Loaded Brackets.....	64
Hellcat® Mud Flap Brackets	65
Conspicuity Products.....	66-73
Mounting Angle and Retaining Strap.....	73
FB-27 Mud Flap Brackets and End Cap	73-75
Adjust-A-Mount®, Mounting Adapters.....	76
Anti-Sail Brackets.....	77

Door Systems..... 78-161

Roll-up Doors and Hardware	78-126
PolyTrak® Roll-Up Doors.....	78-79
ToughTrak® Roll-Up Doors	80-81
PrecisionTrak® Recessed 1" Roller Doors	82-83
PrecisionTrak® Flush Mount 2" Roller Doors.....	84-85
Roll-Up Door Order Form	86
Roll-Up Door General Info and Terminology	87
Roll-Up Door Panels	88-91
Roll-Up Door Hardware.....	92-106
Roll-Up Door Tracks.....	107-111
Roll-Up Door Operator Assemblies and Components	112-117
Roll-Up Door Seals.....	118-123
Roll-Up Door Cables.....	124-125
Roll-Up Door Conversion Kits.....	126

Swing Door Replacement Parts	127-161
Vent Doors and Hardware, Vent Door Latch	127-130
Hinge Butts.....	131
Door Hinges.....	132-145
Hinge Pins	146-147
Hinge Assemblies	148-149
Handles	150, 160
Bumpers, Door Hold-Backs, Latches, Seals,	150-155
Miner Style Lockrods and Component Parts	155-159
Trailer Dock Bumper, Handles, Corner Iron.....	159-160
Cams and Latch Bar Assemblies	161

Parts and Accessories 162-184

Landing Gear Parts	162-167
Stake Pockets and Rope Hooks.....	168
Recessed Lashing Rings.....	169
Tie Down Rings and Components	170-173
Belly Panel.....	173
Wheel Chocks, Ramp Handles	174
Coil Racks	175
Trailer Patch.....	175
Corner Protectors	176-177
Manifest Box and Document Holders.....	178-179
Steps	179
Service Decks.....	180-181
Tire Carriers	182-183
Product Displays	184

Cross Reference Guides..... 185-203

Numerical/alphabetical cross reference	185-191
Manufacturer cross reference	192-196
Parts Index	197-203
Conversion Charts.....	Inside Back Cover

Definitions

RoadKote® - black E-coat finish

Black Primer - black primer finish, either water or oil base.

Packaged Set - a product and all its' components in a single container, labeled.

Bulk Kit - a group of items that can be ordered as a single part number but not packaged as one.

Roadside* - the left side of the tractor/trailer as viewed from behind

Curbside* - the right side of the tractor/trailer as viewed from behind

*Based on North American Road System

Popularity Code

Popularity codes provide an estimate of availability of aftermarket products; **(A)** current production - immediate availability, **(B)** current production - standard availability (5-7 business days), and **(C)** non-current production. This is based on our main facility in Muskegon, Michigan.

*OEM Customers - call Fleet Engineers' customer service for lead time.

Cross Reference Guides and Complete Product Index

Cross reference guides can be found in the back of this catalog on pages 185-196 and the complete product index is on pages 197-202. Cross reference numbers are listed two ways: (1) in numerical/alphabetical order with the cross reference manufacturer, Fleet Engineers' part number and the corresponding page number and (2) listed by manufacturer. All product part numbers are listed in numerical order along with the corresponding catalog page number.

Conversion Charts

Measurements throughout the catalog are given in decimal figures and are rounded to two decimal places. A conversion page is located on the inside back cover of this catalog for your convenience.

Warranty Information

Registered Trademarks and OEM Logos: Due to trademark restrictions, products personalized with OEM logos are only available through their respective Truck/Trailer dealers and are contained within only to represent their availability to such dealers.

Warranty – General: All products are guaranteed for one (1) year from date of shipment, except Spray Mate fenders which have a lifetime warranty, against defects in workmanship and material, provided defect has not been caused by misuse, careless handling, or where repairs have been made or attempted by parties other than manufacturer. EXCEPTION: CHROME PLATING IS NOT GUARANTEED. See Returned Goods section for specific instructions.

Warranty – Chrome Plating: Chrome plating on chrome products is not warranted beyond the initial installation date of the product. The performance of the plating cannot be guaranteed due to the conditions of service. Damage from stones or road debris can destroy the integrity of the coating surface and cause corrosion to ensue. Damage due to the impact of collision with another object and road and vehicle vibration are likely at some point during the life of the product. Therefore, Fleet Engineers can only warrant the plating quality until it is put into service on the vehicle. Fleet Engineers' plating is specified to be the high grade automotive exterior quality and designed for atmospheric conditions in existence on today's highways. Maintenance and care of the finish are required to maintain its like-new condition.

Limitation of Warranty: Seller warrants to Buyer all goods, if properly installed, used only in the service for which recommended by Seller, and undamaged from any external cause, against defective workmanship and material for the warranty period specified in the specification sheet for each item of equipment. No claim under this warranty shall be honored unless **(I)** it is submitted to Seller in writing within sixty (60) days after discovery and on or before the sixtieth (60th) day after expiration of the warranty period, and **(II)** Buyer shall cease to use the goods and give Seller a full written report supporting its claim. If Seller finds the equipment to be defective, the Seller will repair or replace it without charge and bear the cost of transportation for the defective goods. Except as provided by this paragraph Seller shall not be liable for any labor, transportation or other expense required to replace or repair defective goods nor in any event for any general, special or consequential damages arising out of or occasioned by a defect or failure of any goods sold to Buyer, nor for any loss arising from the use or resale thereof. Any implied warranty of merchantability or of fitness in any other warranty specified above is expressly excluded.

Returned Goods: All returned goods must have an authorization number assigned by Fleet Engineers. Items returned for credit will be subject to a 20% restocking charge and must be returned FREIGHT PREPAID. No items approved beyond twelve (12) months from date of shipment, or if an overstock situation exists at the time of request. Customer must supply Fleet Engineers with invoice number and purchase order number from which shipment was made. ONLY CURRENT MODEL PARTS IN SALABLE CONDITION WILL BE ACCEPTED. Unauthorized returns will be subject to a 25% restocking charge.

AeroFlap® Aerodynamic Mud Flap

FEATURES

- AeroFlap's® unique pattern channels airflow in different, complimentary directions which saves fuel by reducing drag. A pair of aerodynamic mudflaps can decrease fuel consumption by .5 - 1%
- AeroFlap® reduces spray by not atomizing or "smashing" water droplets, creating a safer environment for everyone on the road
- Eliminates the need for anti-sail brackets due to the way air is channeled and breaks up the trailing air vortex
- Reduces maintenance costs by venting excess heat around tires and brakes
- AeroFlap's® polypropylene material is uniquely designed to withstand colder temperatures - successfully tested to -30°F
- AeroFlap® is the only aerodynamic mudflap designed for use with angled shortie brackets. Traditional flaps must be cut in places not intended for new mounting holes which causes their flaps to tear away
- Stacks neatly and nests on shipping skids, ensuring that the product stacks, stores, and ships without headache
- Works in Synergy with U.S. EPA's Smartway Program for truck/trailer aerodynamics

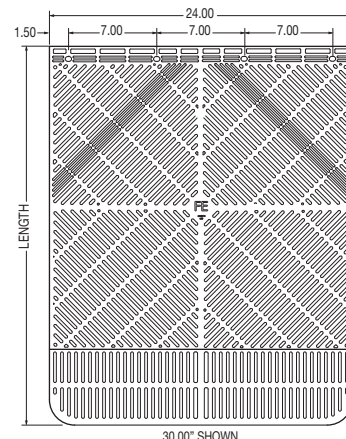
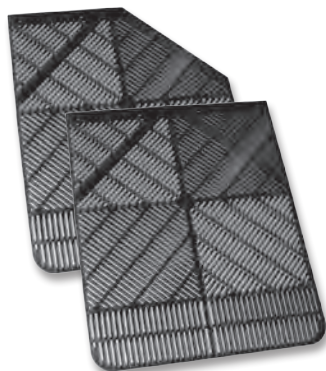


ORDER DETAILS

- AeroFlap® is available in black or white
- Available in 24", 30", and 36" heights
- Part number represents 1 flap

SPECIFICATIONS

part no. - black	part no. - white	weight (lbs.)	pop. code	width	length
033-08001	033-08007	4.00	A	24.00"	24.00"
033-08002	033-08009	4.50	A	24.00"	30.00"
033-08004	033-08011	5.10	A	24.00"	36.00"



AeroSaver® Aerodynamic Trailer Side Skirt

FEATURES

- Enhances the aerodynamics of a trailer
- Reduces harmful greenhouse gas emissions
- Reduces drag and jerking from gusting wind
- Improves appearance and performance
- Low initial investment, pay back is short
- Easier to install - can be completed by just one person
- Cuts fuel consumption by up to 7%
- Extruded flexible plastic designed to bend over obstacles
- UV impregnated – will not fade or crack due to sunlight
- Performs well in all temperatures
- Each panel is replaceable independently
- Can be mounted in straight or angled orientations with the same hardware
- Hardware is E-coated for maximum corrosion resistance
- Installs with no holes to the frame of the trailer
- Panels are lightweight, come in three equal lengths and require very little hardware connections.
- The patent pending bracket design allows plenty of clearance for road obstacles and are easily replaced if damaged
- Lightweight Green Product made from recycled products.



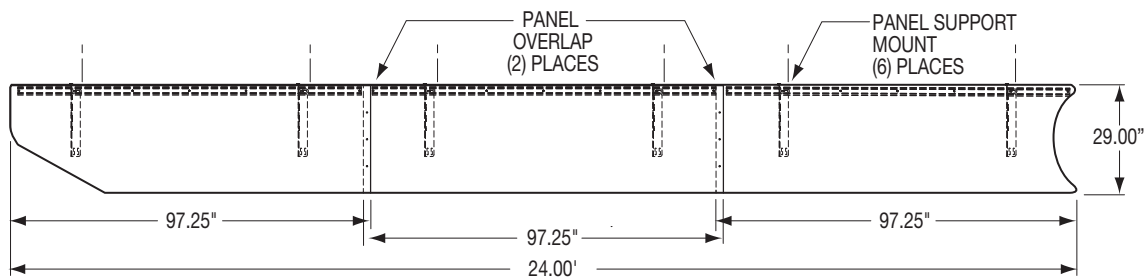
ORDER DETAILS

- White or grey panel color available
- Bulk kit, enough to do both sides of the trailer, consists of skirting, supports, and hardware. Support hardware is e-coated.



SPECIFICATIONS

part no.	wt. (lbs.)	ht. (in.)	length (ft.)	trailer application	supports per kit	skirts per kit	color
034-02533	188.00	29.00"	24.00'	53.00'	12	1 (2 sides)	white
034-02534	188.00	29.00"	24.00'	53.00'	12	1 (2 sides)	grey



Air Slipper Side Skirt

FEATURES

- Cuts fuel consumption by up to 6%
- Enhances the aerodynamics of a trailer
- Reduces harmful greenhouse gas emissions
- Reduces drag and jerking from gusting wind
- Improves appearance and performance
- Low initial investment, pay back is short
- Quick and easy to install
- Made to fit most trailers
- No holes drilled in the frame
- 16 gauge ribbed aluminum
- Ribs and bottom roll-formed edge adds strength
- Reefer fuel tank cut-out is optional
- Black primed steel braces and mounting clamps, aluminum vertical stiffeners
- Must be used with I-Beam cross members



ORDER DETAILS

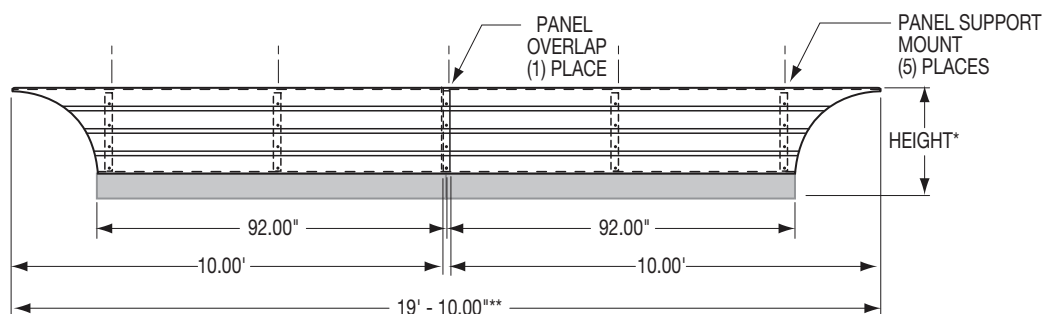
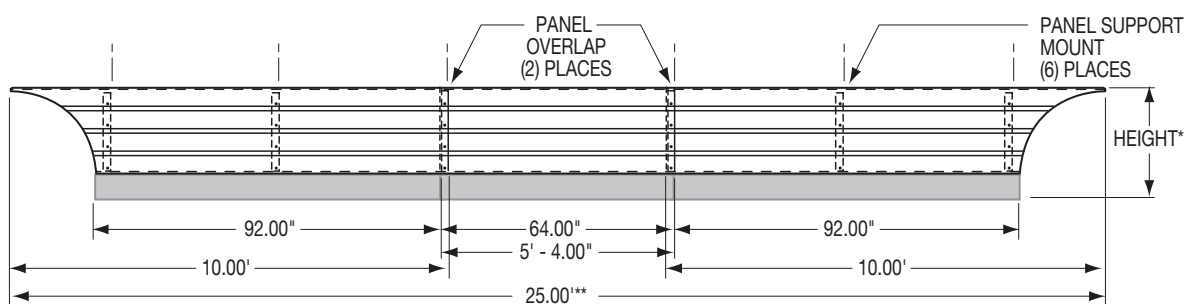
- Bulk kit, enough to do both sides of the trailer, consists of skirting, supports, and hardware. Support hardware is zinc, skirting attachment hardware is stainless steel.



SPECIFICATIONS

part no	weight (lbs.)	height* (in.)	length** (ft.)	trailer application	supports per kit	skirts per kit
034-02290	189.00	29.00"	25.00'	53.00'	12	(4) 10' and (2) 5'
034-02300	162.10	29.00"	19.10'	48.00'	10	(4) 10'

Supports are mounted on 5' centers. Individual skirts are either 10' or 5' in length.



Air Slipper Quarter Fenders - Metal

FEATURES

- 18 gauge black primed steel, 18 gauge polished stainless steel or 16 gauge aluminum
- Attractive smooth, curved surface
- Large radiused side flanges reduce spray
- Heavy-duty reinforcement plate supports fender from the underside - no brackets or braces to detract from the smooth appearance
- Pre-assembled for faster installation
- Full 24" x 24" size
- Patent #4,706,980



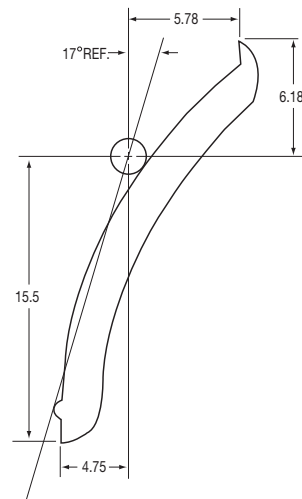
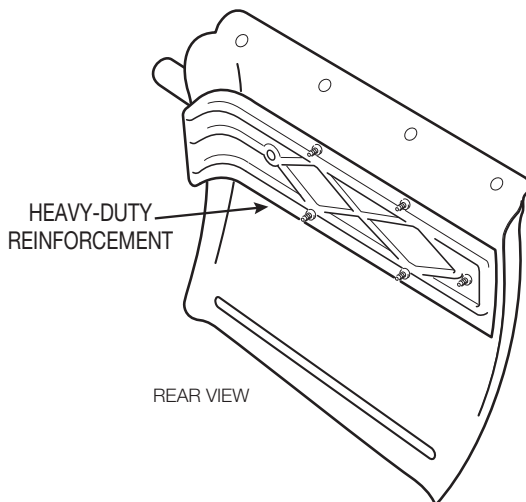
LEFT
QUARTER FENDER
(ROADSIDE)

ORDER DETAILS

- Each fender packaged set includes one right and one left fender assembly with hanger clamps and clamp hardware
- See page 8 for the Air Slipper with top flaps
- Individual fenders do not include hanger clamp or clamp hardware

SPECIFICATIONS

part no.	weight (lbs.)	pop. code	description	construction
031-00400	31.80	A	packaged set	18 gauge black primed steel
031-00402	33.20	A	packaged set	18 gauge polished stainless steel
031-00404	23.90	A	packaged set	16 gauge aluminum
033-00849	16.00	A	one left (roadside) quarter fender	18 gauge black primed steel
033-00850	16.00	A	one right (curbside) quarter fender	18 gauge black primed steel
033-00853	11.00	A	one left (roadside) quarter fender	16 gauge aluminum
033-00854	11.00	A	one right (curbside) quarter fender	16 gauge aluminum
033-00855	17.50	A	one left (roadside) quarter fender	18 gauge polished stainless steel
033-00856	17.50	A	one right (curbside) quarter fender	18 gauge polished stainless steel
032-00223	.48	A	one hanger tube clamp	zinc plated steel
032-00224	.48	A	one hanger tube clamp	stainless steel
031-00200	.62	A	hardware packaged set for 2 clamps, 5/8" bolts/nuts	zinc plated steel
031-01277	.07	A	end cap packaged set (pair)*	black polypropylene



*See plastic end cap chart on page 51 for additional information

Air Slipper Two Quarter Fenders - Polypropylene Black Plastic

FEATURES

- One-piece injection molded design
- Textured surface and radiused side flanges
- Lighter weight than metal fenders
- Improved appearance and greater reinforcement on fender underside
- Larger 25" width increases tire coverage which greatly reduces spray, stones, and other deflections
- Unaffected by heat and cold - range of -40°F to 130°F (-40°C to 55°C)
- Patent #4,740,003



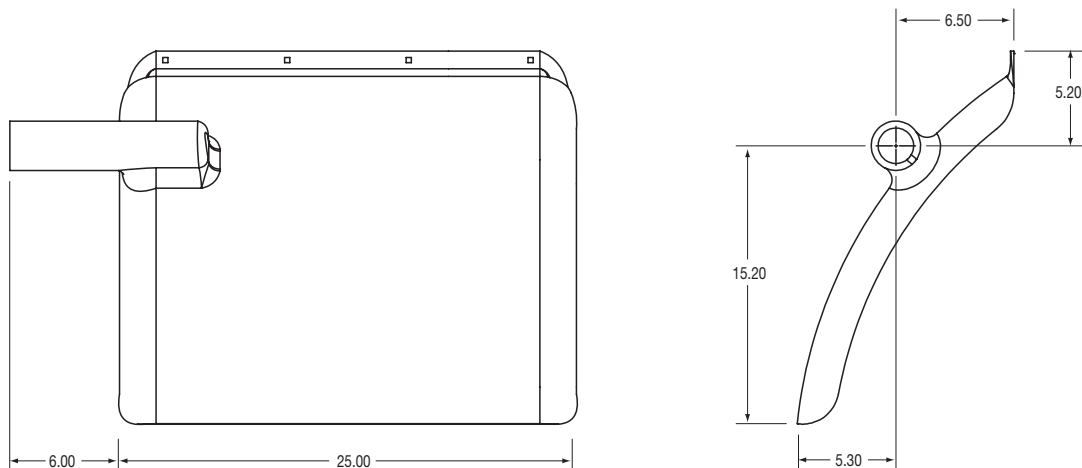
LEFT
QUARTER FENDER
(ROADSIDE)

ORDER DETAILS

- Fender packaged set includes one right and one left fender assembly with hanger clamps and clamp hardware
- See page 8 for the Air Slipper Two with top flaps
- Individual fenders do not include hanger clamp or clamp hardware

SPECIFICATIONS

part no.	weight (lbs.)	pop. code	description	construction
031-00406	17.30	A	packaged set	black plastic
034-00731	7.00	A	one left (roadside) quarter fender	black plastic
034-00732	7.00	A	one right (curbside) quarter fender	black plastic
032-00285	.50	A	one hanger tube clamp	zinc plated steel
031-00200	.62	A	hardware packaged set for 2 clamps, 5/8" bolts/nuts	zinc plated steel



Air Slipper and Air Slipper Two Quarter Fender "COMBO"

FEATURES

- All the great features of the **Air Slipper** and **Air Slipper Two** but with the convenience of the top flap already attached to the fender

ORDER DETAILS

- Each "COMBO" packaged set includes one regular quarter fender packaged set, one white top flap with the red and black Fleet Engineers logo, and top flap hardware packaged set
- "COMBO" packaged sets are only stocked at the Muskegon facility



LEFT
QUARTER FENDER
(ROADSIDE)

SPECIFICATIONS

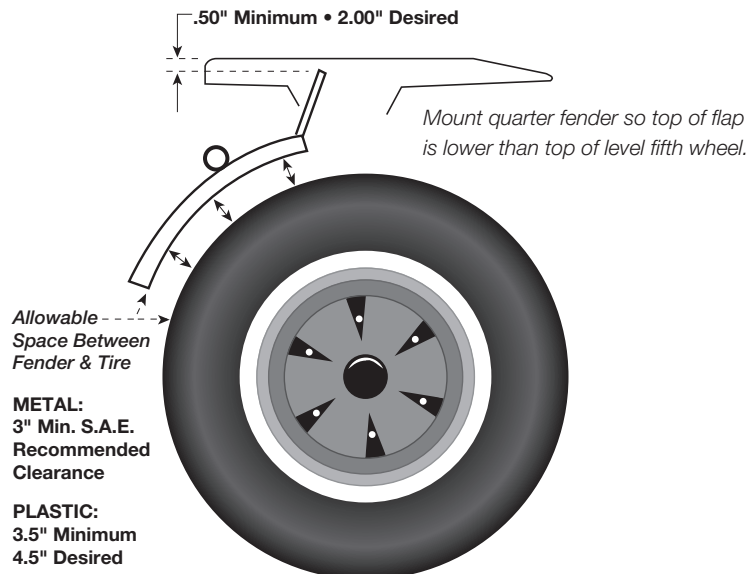
part no.	weight (lbs.)	pop. code	fender description	top flap hardware
031-00747	34.40	A	18 gauge polished stainless steel	stainless steel hardware
031-00921	33.00	A	18 gauge black primed steel	zinc hardware
031-00923	25.10	A	16 gauge aluminum	zinc hardware
031-00924	18.50	A	polypropylene black plastic	zinc hardware

Quarter Fender Mounting Instructions

Recommended quarter fender mounting will result in maximum fender and top flap product life.

50-foot pounds of torque is needed on the steel clamp and 75 foot pounds of torque is needed on the stainless clamp. This torque is to be applied to the nut instead of the bolt. When this torque is applied, the flange end of the clamp should touch.

INS-97001



Air Slipper Quarter Fenders Triangle Mount

FEATURES

- 18 gauge 430 polished stainless steel
- Triangle tube design requires no cradle or braces
- Hidden mounting bolts create clean, uncluttered appearance
- Pre-assembled for faster installation
- Full 24.00" x 24.00" fender size

ORDER DETAILS

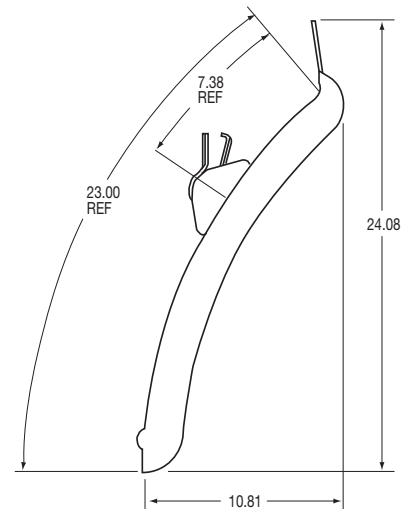
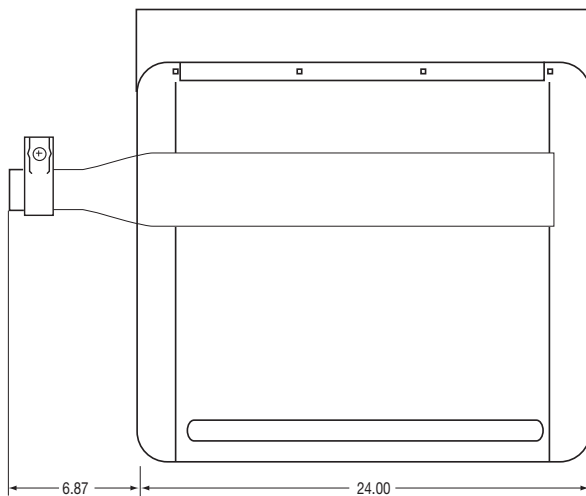
- Each fender packaged set includes one right and one left fender with hanger clamps and clamp hardware, white top flaps with the red and black Fleet Engineers logo, and top flap hardware
- Individual fenders do not include hanger clamp, hanger clamp hardware, top flap or top flap hardware



LEFT
QUARTER FENDER
(ROADSIDE)

SPECIFICATIONS

part no.	weight (lbs.)	pop. code	description	construction
031-00419	29.04	A	packaged set	stainless steel
033-05185	13.29	A	one left (roadside) quarter fender	stainless steel
033-05186	13.29	A	one right (curbside) quarter fender	stainless steel
032-00224	.48	A	one hanger clamp	stainless steel
031-00200	.62	A	hardware packaged set for 2 clamps, 5/8" bolts/nuts	zinc plated steel



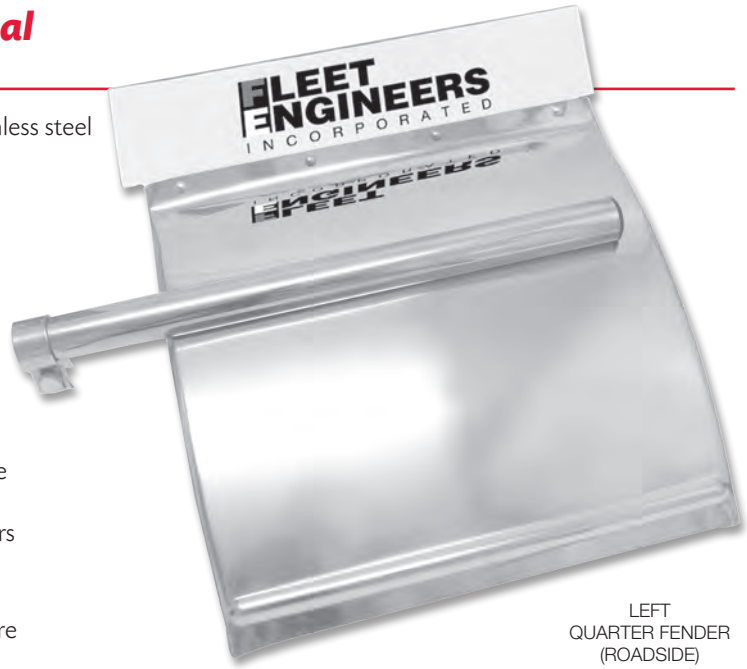
Standard Quarter Fenders - Metal

FEATURES

- 18 gauge black primed steel, 18 gauge polished stainless steel or 16 gauge aluminum
- Flattened tube design requires no cradle or braces
- Hidden mounting bolts create clean, uncluttered appearance
- Reinforcement strap on underside of fender
- Pre-assembled for faster installation
- Full 24.00" x 24.00" fender size

ORDER DETAILS

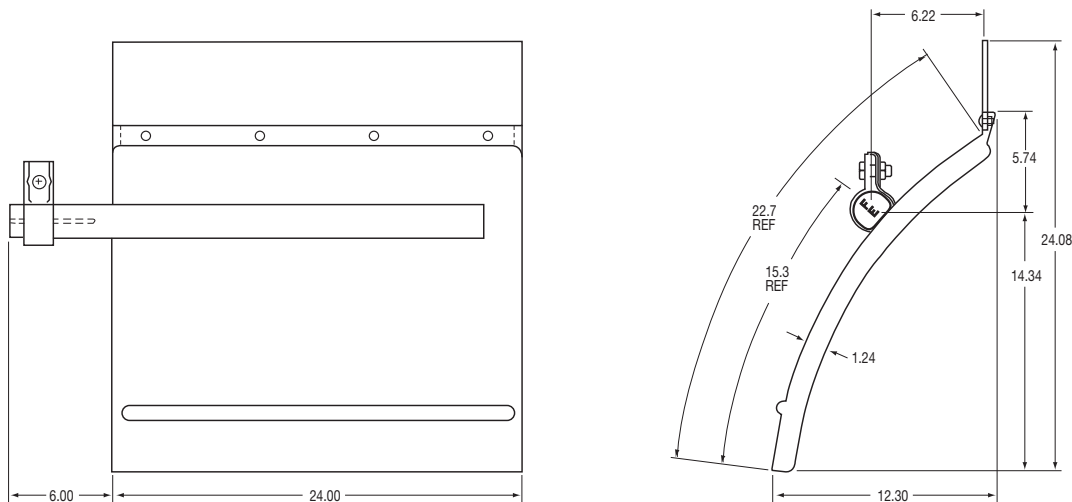
- Each fender packaged set includes one right and one left fender with hanger clamps and clamp hardware, white top flaps with the red and black Fleet Engineers logo, and top flap hardware
- Individual fenders do not include hanger clamp, hanger clamp hardware, top flap or top flap hardware



LEFT
QUARTER FENDER
(ROADSIDE)

SPECIFICATIONS

part no.	weight (lbs.)	pop. code	description	construction	top flap hardware	cross reference
031-01070	29.38	A	packaged set	18 gauge 430 polished stainless steel	stainless steel	1585B-KIT, N100SSNM, SS100B2, 523000
031-01071	31.01	A	packaged set	18 gauge black primed steel	zinc	1590B-KIT, N100PNM, SP100B2, 503000
031-01072	21.99	A	packaged set	16 gauge aluminum	stainless steel	1580B-KIT, SA100B2
033-00208	15.50	A	one roadside fender	18 gauge 430 polished stainless steel		
033-00209	15.50	A	one curbside fender	18 gauge 430 polished stainless steel		
033-00210	16.70	A	one roadside fender	18 gauge black primed steel		
033-00211	16.70	A	one curbside fender	18 gauge black primed steel		
033-00212	11.40	A	one roadside fender	16 gauge aluminum		
033-00213	11.40	A	one curbside fender	16 gauge aluminum		
032-00223	.48	A	one hanger tube clamp	zinc plated steel		
032-00224	.48	A	one hanger tube clamp	stainless steel		
031-00200	.62	A	hardware packaged set for clamps w-5/8" bolt/nut	zinc plated steel		
031-01278	.07	A	end cap packaged set (pair)*	black polypropylene		



*See plastic end cap chart on page 51 for additional information

Standard Quarter Fenders - Polypropylene Black Plastic

FEATURES

- Textured fender surface reduces scratches and dings
- Lighter weight than metal fenders
- Flattened tube design requires no cradle or braces
- Hidden mounting bolts create clean, uncluttered appearance
- Pre-assembled for faster installation
- Full 24.00" x 24.00" fender size

ORDER DETAILS

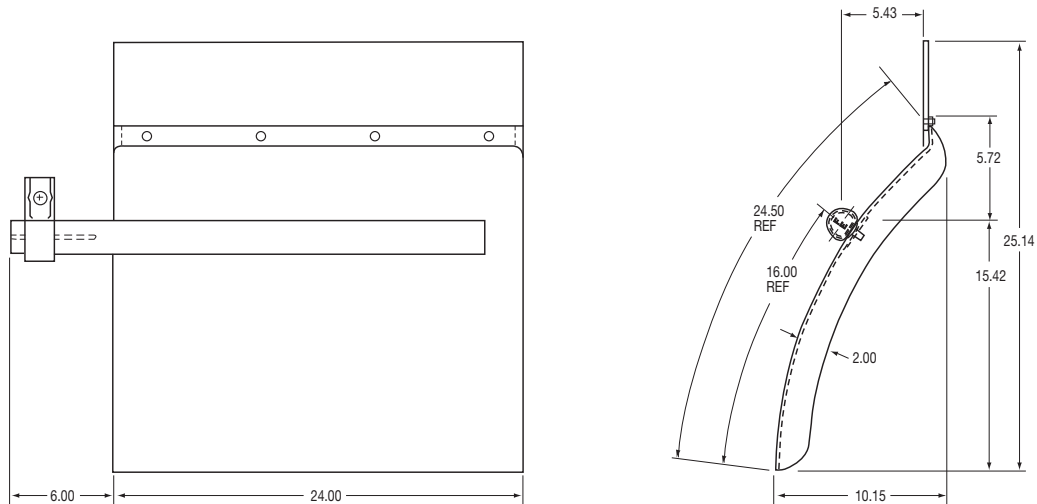
- Each fender packaged set includes one right and one left fender with hanger clamps and clamp hardware, white top flaps with the red and black Fleet Engineers logo, and top flap hardware
- Individual fenders do not include hanger clamp, hanger clamp hardware, top flap or top flap hardware



LEFT
QUARTER FENDER
(ROADSIDE)

SPECIFICATIONS

part no.	weight (lbs.)	pop. code	description	cross reference
031-01636	18.30	A	packaged set	1900-KIT, 203000, 5060-2
033-05173	7.50	A	one right (curbside) quarter fender	
033-05174	7.50	A	one left (roadside) quarter fender	
032-00223	.48	A	one hanger tube clamp	
031-00200	.62	A	hardware packaged set for clamp w-5/8" bolt/nut	
031-01278	.07	A	end cap packaged set (pair)* black polypropylene	



*See plastic end cap chart on page 51 for additional information

Standard Quarter Fenders For 19.5" Wheels

FEATURES

- 18 gauge 430 polished stainless steel
- Flattened tube design requires no cradle or braces
- Hidden mounting bolts create clean, uncluttered appearance
- Reinforcement strap on underside of fender
- Pre-assembled for speedy installation
- Full 21.00" x 24.00" fender size

ORDER DETAILS

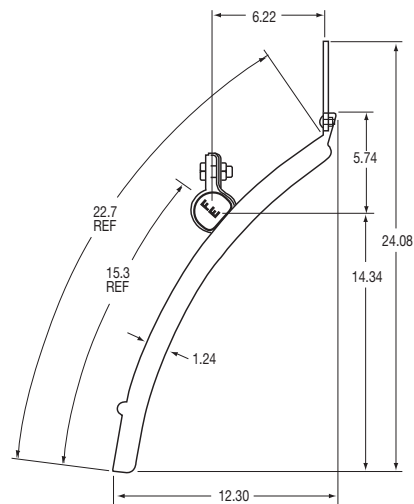
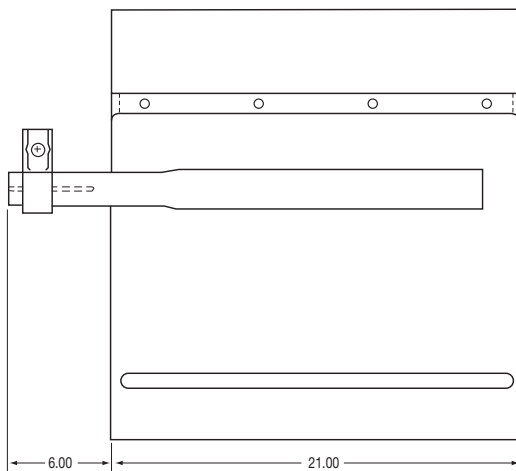
- Each fender packaged set includes one right and one left fender with hanger clamps and clamp hardware, white top flaps with the red and black Fleet Engineers logo, and top flap hardware
- Individual fenders do not include hanger clamp, hanger clamp hardware, top flap or top flap hardware



LEFT
QUARTER FENDER
(ROADSIDE)

SPECIFICATIONS

part no.	weight (lbs.)	pop. code	description	construction	cross reference
031-01635	24.50	A	packaged set	18 gauge polished stainless steel	2105
033-00218	11.50	A	one left (roadside) fender	18 gauge polished stainless steel	-
033-00219	11.50	A	one right (curbside) fender	18 gauge polished stainless steel	-
032-00224	.48	A	one hanger tube clamp	stainless steel	-
031-00200	.62	A	hardware packaged set for 2 clamps w-5/8" bolt/nut	zinc plated steel	-
031-01278	.07	A	end cap packaged set (pair)*	black polypropylene	-



*See plastic end cap chart on page 51 for additional information

Standard Quarter Fenders with Triangle Mount 29" Expanded Size

FEATURES

- 18 gauge 430 polished stainless steel
- Triangle mount design features an all-welded end cap
- Hidden mounting bolts create clean, uncluttered appearance
- Pre-assembled for faster installation
- Full 25.00" x 29.00" fender size

ORDER DETAILS

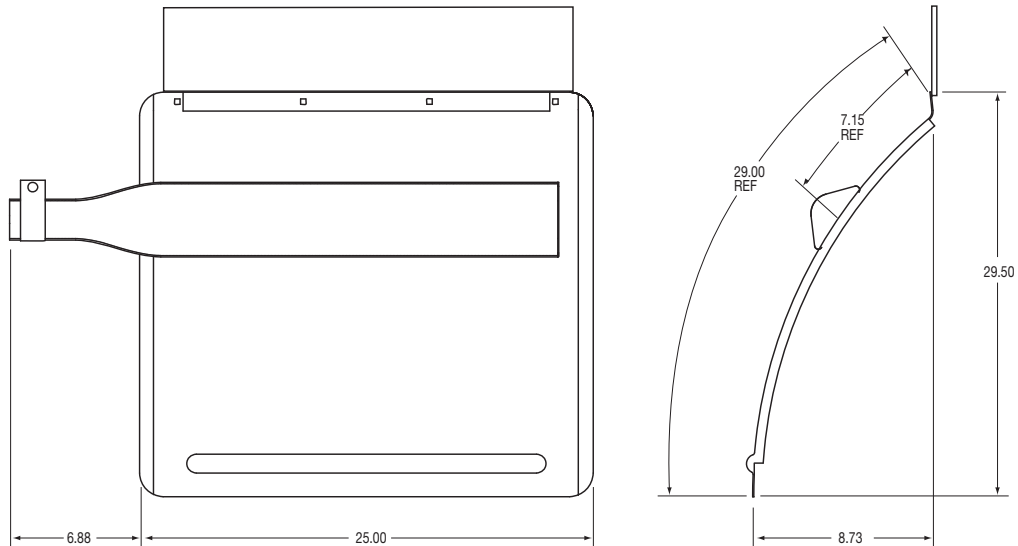
- Each fender packaged set includes one right and one left fender with hanger clamps and clamp hardware, white top flaps with the red and black Fleet Engineers logo, and top flap hardware
- Individual fenders do not include hanger clamp, hanger clamp hardware, top flap or top flap hardware



LEFT
QUARTER FENDER
(ROADSIDE)

SPECIFICATIONS

part no.	weight (lbs.)	pop. code	description	construction
031-00537	33.10	A	packaged set	18 gauge polished stainless steel
033-05221	16.00	A	one left (roadside) quarter fender	18 gauge polished stainless steel
033-05220	16.00	A	one right (curbside) quarter fender	18 gauge polished stainless steel
032-00224	.48	A	one hanger clamp	stainless steel
031-00200	.62	A	hardware packaged set for 2 clamps, 5/8" bolts/nuts	zinc plated steel



Low Mount Standard Quarter Fenders

APPLICATION

- When additional overhead clearance is required

FEATURES

- 18 gauge 430 polished stainless steel or 16 gauge aluminum
- Tube design requires no cradle or additional braces
- Pre-assembled for faster installation
- Full 24" x 24" size

ORDER DETAILS

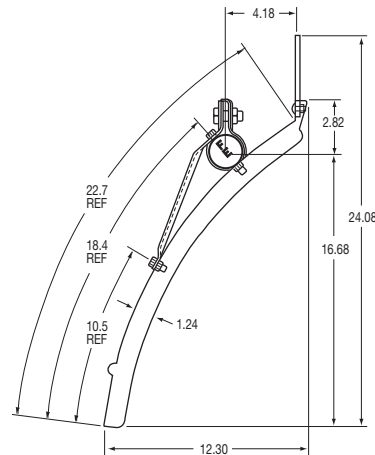
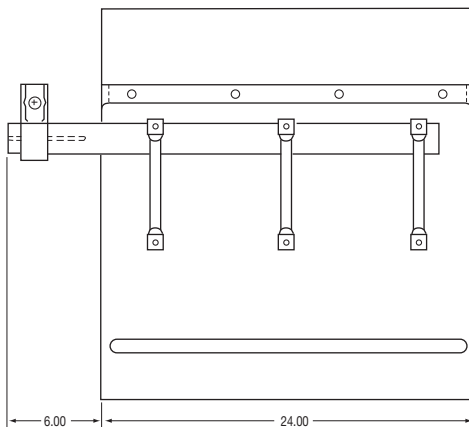
- Each fender packaged set includes one right and one left fender with hanger clamps and clamp hardware, white top flaps with the red and black Fleet Engineers logo, and top flap hardware
- Individual fenders do not include hanger clamp, hanger clamp hardware, top flap or top flap hardware



LEFT
QUARTER FENDER
(ROADSIDE)

SPECIFICATIONS

part no.	weight (lbs.)	pop. code	description	construction	hardware	cross reference
031-01074	29.73	B	packaged set	18 gauge polished stainless steel	stainless steel	1585LM-KIT
031-01092	23.00	B	packaged set	16 gauge aluminum	stainless steel	1580LM-KIT
033-00214	14.27	B	one roadside fender	18 gauge polished stainless steel		
033-00215	14.27	B	one curbside fender	18 gauge polished stainless steel		
033-00216	12.00	B	one roadside fender	16 gauge aluminum		
033-00217	12.00	B	one curbside fender	16 gauge aluminum		
032-00223	.48	A	one hanger clamp	zinc plated steel		
032-00224	.48	A	one hanger clamp	stainless steel		
031-00200	.62	A	hdw. packaged set for 2 clamps, 5/8" bolts/nuts	zinc plated steel		
031-01277	.07	A	end cap packaged set (pair)*	black polypropylene		



*See plastic end cap chart on page 51 for additional information

Low Mount Standard Quarter Fenders - Polypropylene Black Plastic

APPLICATION

- When additional overhead clearance is required

FEATURES

- Textured fender surface reduces scratches and dings
- Lighter weight than metal fenders
- Flattened tube design requires no cradle or braces
- Hidden mounting bolts create clean, uncluttered appearance
- Pre-assembled for faster installation
- Full 24.00" x 24.00" fender size

ORDER DETAILS

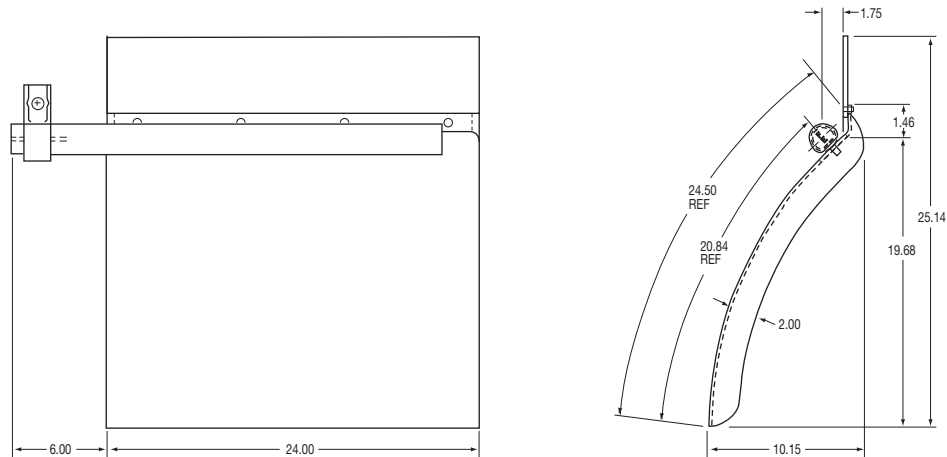
- Each fender packaged set includes one right and one left fender with hanger clamps and clamp hardware, white top flaps with the red and black Fleet Engineers logo, and top flap hardware
- Individual fenders do not include hanger clamp, hanger clamp hardware, top flap or top flap hardware



LEFT
QUARTER FENDER
(ROADSIDE)

SPECIFICATIONS

part no.	weight (lbs.)	pop. code	description	cross reference
031-01637	18.30	A	packaged set	
033-05175	7.50	A	one right (curbside) quarter fender	022-58857-001, A22-58858-001
033-05176	7.50	A	one left (roadside) quarter fender	022-58857-000, A22-58858-000
032-00223	.48	A	one hanger tube clamp	
031-00200	.62	A	hardware packaged set for clamp with 5/8" bolt/nut - zinc plated steel	
031-01278	.07	A	end cap packaged set (pair)* black polypropylene	



*See plastic end cap chart on page 51 for additional information

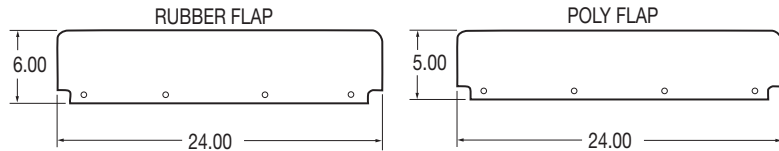
Plain Top Flaps

FEATURES

- Made of .12" thick durable poly blend material

ORDER DETAILS

- Your choice of stainless or zinc plated steel mounting hardware
- Hardware packaged sets includes eight nuts, eight bolts, and eight washers
- Flap packaged sets contain two top flaps and flap hardware packaged set



SPECIFICATIONS

packaged set part no.	individual flap part no.	packaged set weight (lbs.)	pop. code	description	hardware construction	flap color
031-00301	033-00011	3.70	A	plain rubber	stainless steel	black
031-00311	033-00422	1.20	A	plain poly blend	stainless steel	white
031-00320	033-00430	1.20	A	plain poly blend	stainless steel	black
031-00242	033-00011	3.70	A	plain rubber	zinc plated steel	black
031-00252	033-00422	1.20	A	plain poly blend	zinc plated steel	white
031-00261	033-00430	1.20	A	plain poly blend	zinc plated steel	black

Top Flap Hardware

APPLICATION

- For use with plain, custom, or OEM logo flaps

ORDER DETAILS

- Choice of stainless or zinc plated steel
- Includes eight nuts, eight carriage bolts, and eight washers in a plastic bag



SPECIFICATIONS

part no.	weight (lbs.)	pop. code	description	hardware construction
031-00414	.30	A	flap hardware	zinc plated steel
031-00415	.30	A	flap hardware	stainless steel

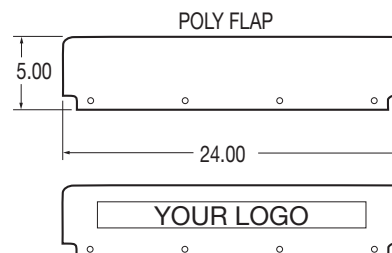
Top Flaps with an OEM Logo or Custom Stamped With Your Logo

FEATURES

- Made of .12" thick durable poly blend material
- Mylar hot stamping process assures long life of lettering and trademarks

ORDER DETAILS

- OEM logos available only through respective dealers
- Contact your Fleet Engineers representative for information on custom top flaps
- Choice of stainless or zinc plated steel mounting hardware
- Flap packaged sets contain two top flaps and flap hardware packaged set
- Hardware packaged set includes eight nuts, eight carriage bolts, and eight washers in a plastic bag



SPECIFICATIONS

packaged set part no.	individual flap part no.	packaged set weight (lbs.)	pop. code	description	hardware construction	flap color	logo color
031-00302	033-00405	1.20	A	Fleet Engineers	stainless steel	white	black/red
031-00304	033-00410	1.20	A	Freightliner	stainless steel	white	black
031-00305	033-00411	1.20	A	Peterbilt	stainless steel	white	red
031-00306	033-00412	1.20	A	International	stainless steel	white	black
031-00309	033-00417	1.20	A	Kenworth	stainless steel	white	red
031-00315	033-00420	1.20	A	Fleetsrite	stainless steel	white	black
031-00319	033-00432	1.20	A	Western Star	stainless steel	white	black
031-00931	033-00441	1.20	A	Volvo	stainless steel	white	blue
031-00962	033-04234	1.20	A	Mack	stainless steel	white	black
031-00964	033-04235	1.20	A	Mack	stainless steel	black	gray
031-00980	033-04243	1.20	A	Sterling	stainless steel	white	black
031-00243	033-00405	1.20	A	Fleet Engineers	zinc plated steel	white	black/red
031-00245	033-00410	1.20	A	Freightliner	zinc plated steel	white	black
031-00246	033-00411	1.20	A	Peterbilt	zinc plated steel	white	red
031-00247	033-00412	1.20	A	International	zinc plated steel	white	black
031-00250	033-00417	1.20	A	Kenworth	zinc plated steel	white	red
031-00256	033-00420	1.20	A	Fleetsrite	zinc plated steel	white	black
031-00260	033-00432	1.20	A	Western Star	zinc plated steel	white	black
031-00932	033-00441	1.20	A	Volvo	zinc plated steel	white	blue
031-00961	033-04234	1.20	A	Mack	zinc plated steel	white	black
031-00963	033-04235	1.20	A	Mack	zinc plated steel	black	gray
031-00981	033-04243	1.20	A	Sterling	zinc plated steel	white	black

SPECIFICATIONS FOR CUSTOM FLAPS

031-AC262	031-AC262	n/a	N/A	initial order set-up charge	n/a	n/a
031-00262-	033-00434-	1.20	C	top flap	zinc plated steel	white
031-00263-	033-00435-	1.20	C	top flap	zinc plated steel	black
031-00321-	033-00434-	1.20	C	top flap	stainless steel	white
031-00322-	033-00435-	1.20	C	top flap	stainless steel	black

PivotBar®

APPLICATION

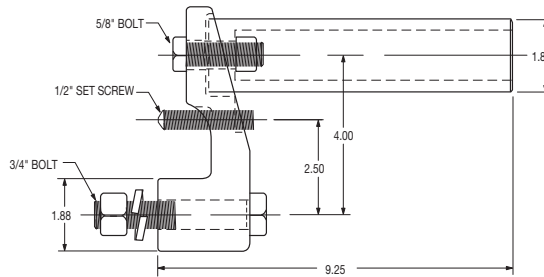
- Greatly assists in properly mounting quarter fenders where needed
- Can be used with most brands of quarter fenders

FEATURES

- Stout casting with E-coat finish
- Provides an offset of 4.00" and rotates 360°

ORDER DETAILS

- **Standard** packaged set includes two adapters, adapter to chassis hardware, and two jamming screws
- **Complete** packaged set includes two adapters, adapter to chassis hardware, two jamming screws, two post mounts, and adapter to post mount hardware



U. S. Patent #6,471,228
CAN. Patent #2,328,682

SPECIFICATIONS

part no.	weight (lbs.)	pop. code	description
031-01586	9.05	A	standard PivotBar® packaged set
031-01587	10.91	A	complete PivotBar® packaged set (includes post mounts)
033-04730	3.61	A	individual PivotBar®
031-01219	1.56	A	adapter to chassis and two jamming screws hardware packaged set
031-01220	.62	A	adapter to post mount hardware packaged set

Cross Mount Tube

APPLICATION

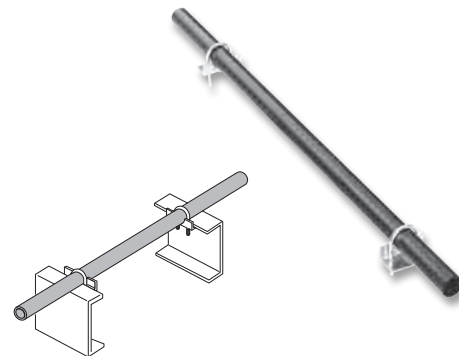
- For heavy-duty, over-the-frame mounting

FEATURES

- Steel construction
- Black primer finish
- 50.00" long for added strength and durability

ORDER DETAILS

- Bulk kit contains one cross mount tube and all mounting hardware
- Hardware packaged set consists of mounting brackets, u-bolts, and nuts.



SPECIFICATIONS

part no.	weight (lbs.)	pop. code	description
031-00233	8.97	A	complete bulk kit
032-00203	7.42	A	one cross tube
031-00199	1.55	A	hardware packaged set

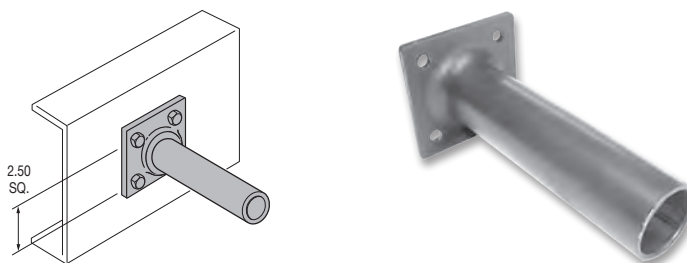
Side Mount Socket

APPLICATION

- For independent side mounting
- Bolts directly to frame

FEATURES

- Steel construction
- Black primer finish
- 8.00" long for added strength and durability
- Mounting plate is 3.75" x 3.75"



ORDER DETAILS

- Bulk kit contains two side mount sockets

SPECIFICATIONS

part no.	weight (lbs.)	pop. code	description	cross reference
031-00234	5.00	A	bulk kit	-
032-00194	2.50	A	one side mount socket	1600-11M

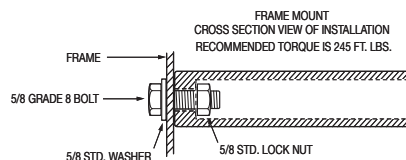
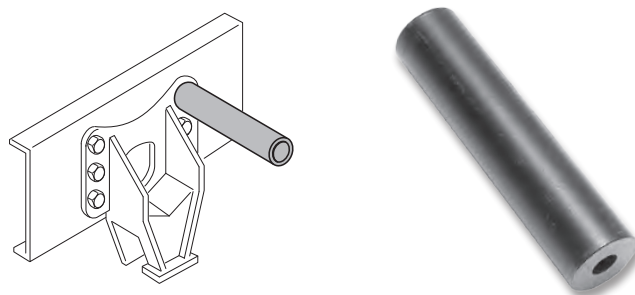
Post Mount Socket

APPLICATION

- For independent post mounting
- Bolts directly to frame or suspension using present vehicle hardware

FEATURES

- Cast steel construction
- Black primer finish
- 8.00" long for added strength and durability



ORDER DETAILS

- Mounting hardware (bolt, washer and nut) not included
- Bulk kit contains two post mount sockets

SPECIFICATIONS

part no.	weight (lbs.)	pop. code	description	cross reference
031-00235	4.00	A	bulk kit	-
032-00199	2.00	A	one post mount socket	1600-15M

Standard-Duty Tandem Fenders

FEATURES

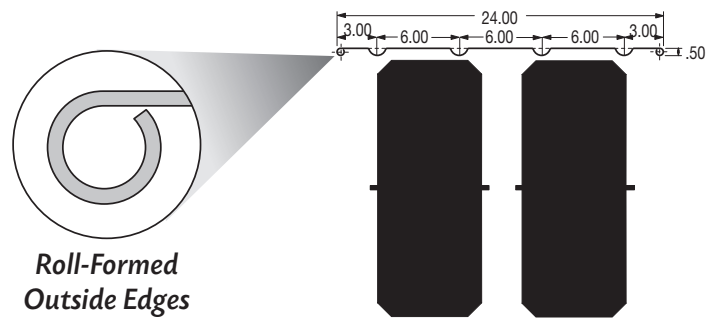
- Ribbed for extra strength
- Outside edges formed in a tight radius gives it extra rigidity and smoothness.

ORDER DETAILS

- Please contact Fleet Engineers for your custom tandem fender needs
- Mounts not included - for a variety of tandem mount options, refer to pages 24-31

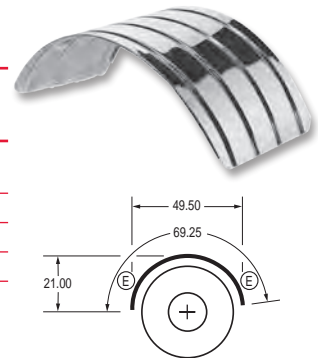
NOTE:

- The tandem mounting support brackets and the various models of tandem fenders are purposely not pre-drilled on top because of the many vehicle variations and side frame clearance problems. Drilling specifically to match the application offers the most flexibility of mounting options without defacing the fenders or weakening the mounts with unnecessary holes.



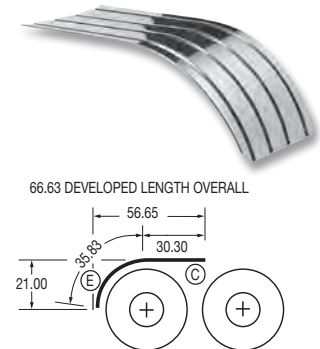
STANDARD-DUTY FULL ROUND TANDEM FENDERS SPECIFICATIONS

part no. (2 fenders)	weight (lbs.)	pop. code	construction	recommended mount package sets for pair	part no. (1 fender)
034-01324	51.86	A	18 gauge 430 polished stainless steel	two end (E)	034-01356
034-01325	24.78	A	16 gauge aluminum	two end (E)	034-01357
034-01326	50.00	A	18 gauge black primed steel	two end (E)	034-01358
034-01327	50.00	A	18 gauge galvanized steel	two end (E)	034-01359



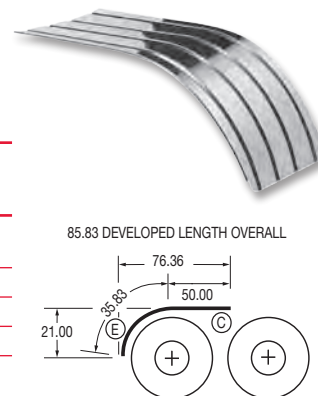
STANDARD-DUTY HALF TANDEM FENDERS SPECIFICATIONS

part no. (2 fenders)	weight (lbs.)	pop. code	construction	recommended mount package sets for pair	part no. (1 fender)
034-01320	49.52	A	18 gauge 430 polished stainless steel	one end (E) and one center (C)	034-01352
034-01321	21.76	A	16 gauge aluminum	one end (E) and one center (C)	034-01353
034-01322	47.75	A	18 gauge black primed steel	one end (E) and one center (C)	034-01354
034-01323	47.75	A	18 gauge galvanized steel	one end (E) and one center (C)	034-01355



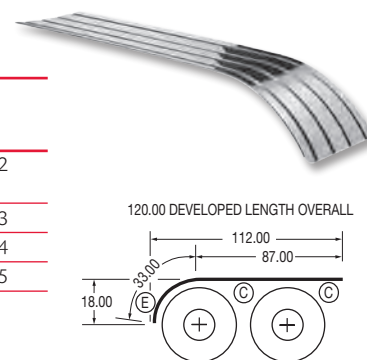
STANDARD-DUTY HALF TANDEM FENDERS (EXTRA LONG) SPECIFICATIONS

part no. (2 fenders)	weight (lbs.)	pop. code	construction	recommended mount package sets for pair	part no. (1 fender)
034-01497	64.26	A	18 gauge 430 polished stainless steel	one end (E) and one center (C)	034-01472
034-01498	28.26	A	16 gauge aluminum	one end (E) and one center (C)	034-01473
034-01499	61.97	A	18 gauge black primed steel	one end (E) and one center (C)	034-01474
034-01500	61.97	A	18 gauge galvanized steel	one end (E) and one center (C)	034-01475



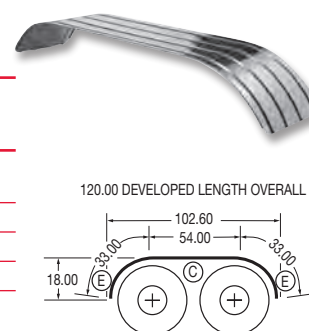
STANDARD-DUTY SINGLE RADIUS TANDEM FENDERS SPECIFICATIONS

part no. (2 fenders)	weight (lbs.)	pop. code	construction	recommended mount package sets for pair	part no. (1 fender)
034-01316	89.13	A	18 gauge 430 polished stainless steel	one end (E) and two center (C)	034-01362
034-01317	39.25	A	16 gauge aluminum	one end (E) and two center (C)	034-01363
034-01318	85.50	A	18 gauge black primed steel	one end (E) and two center (C)	034-01364
034-01319	85.50	A	18 gauge galvanized steel	one end (E) and two center (C)	034-01365



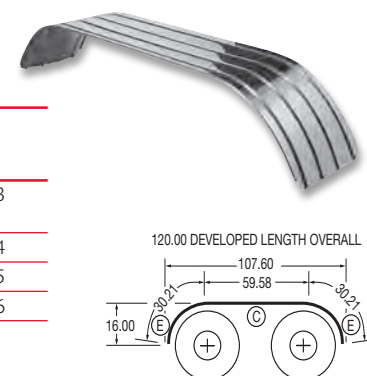
STANDARD-DUTY DOUBLE RADIUS TANDEM FENDERS SPECIFICATIONS

part no. (2 fenders)	weight (lbs.)	pop. code	construction	recommended mount package sets for pair	part no. (1 fender)
034-01312	89.13	A	18 gauge 430 polished stainless steel	two end (E) and one center (C)	034-01366
034-01313	39.25	A	16 gauge aluminum	two end (E) and one center (C)	034-01367
034-01314	85.50	A	18 gauge black primed steel	two end (E) and one center (C)	034-01368
034-01315	85.50	A	18 gauge galvanized steel	two end (E) and one center (C)	034-01369



STANDARD-DUTY DOUBLE RADIUS TANDEM FENDERS (EXTRA LONG) SPECIFICATIONS

part no. (2 fenders)	weight (lbs.)	pop. code	construction	recommended mount package sets for pair	part no. (1 fender)
034-01493	94.24	A	18 gauge 430 polished stainless steel	two end (E) and one center (C)	034-01453
034-01494	40.72	A	16 gauge aluminum	two end (E) and one center (C)	034-01454
034-01495	89.74	A	18 gauge black primed steel	two end (E) and one center (C)	034-01455
034-01496	89.74	A	18 gauge galvanized steel	two end (E) and one center (C)	034-01456



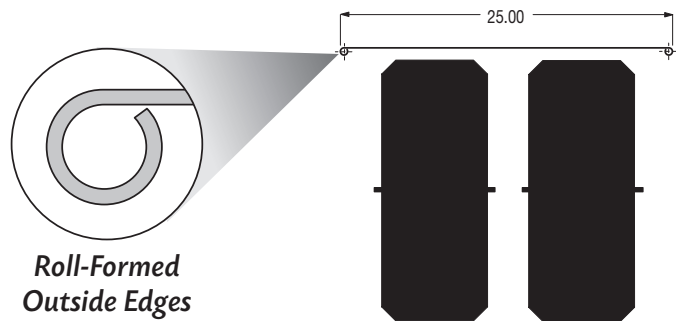
Smooth Skin Tandem Fenders

FEATURES

- Radius ends reduce cracking issues.
- Outside edges formed in a tight radius gives it extra rigidity and smoothness.

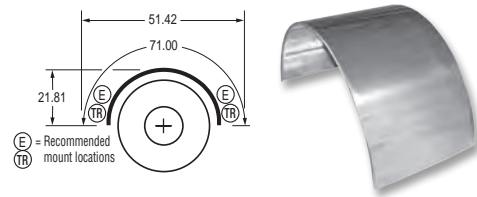
ORDER DETAILS

- Mounts not included - for a variety of tandem mount options, refer to pages 24-31



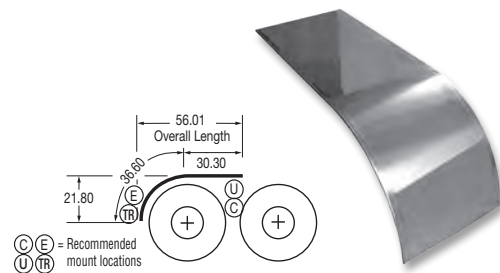
SMOOTH SKIN FULL ROUND TANDEM FENDERS SPECIFICATIONS

part no. (2 fenders)	weight (lbs.)	pop. code	construction	recommended mount package sets for pair	part no. (1 fender)
034-02241	65.76	A	16 gauge 430 polished stainless steel	two end (E) or (TR)	034-02221



SMOOTH SKIN HALF TANDEM FENDERS SPECIFICATIONS

part no. (2 fenders)	weight (lbs.)	pop. code	construction	recommended mount package sets for pair	part no. (1 fender)
034-02240	62.04	A	16 gauge 430 polished stainless steel	one end (E) or (TR) and one center (C) or (U)	034-02220



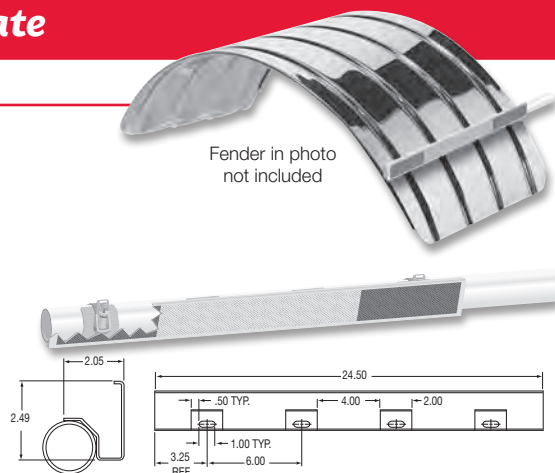
Universal Conspicuity End Mount Plate

FEATURES

- DOT-C2 reflective tape adhered to plate meets requirements of the conspicuity law
- Easily installed on most metal or plastic tandem fenders
- Use roadside or curbside

ORDER DETAILS

- Packaged set includes two plates and hardware
- Hardware packaged set includes two stainless steel unique swivel action clamps that fit both round and flat mounts



SPECIFICATIONS

part no.	wt. (lbs.)	pop. code	description	application	construction
031-01583	1.75	A	packaged set	roadside or curbside	aluminum plate w/ reflective tape
033-04269	0.62	A	one bracket	roadside or curbside	aluminum plate w/ reflective tape
031-01585	0.13	A	hardware packaged set		stainless steel

patent #6,431,605

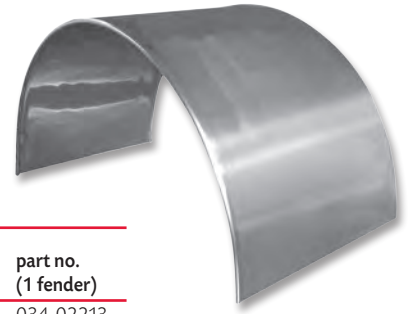
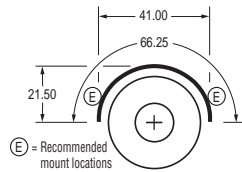
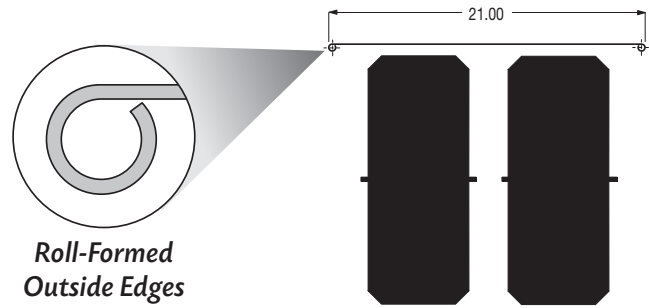
Smooth Skin Full Round Tandem Fenders - 19.50" Wheel Applications

FEATURES

- Radius ends reduce cracking issues.
- Outside edges formed in a tight radius gives it extra rigidity and smoothness.

ORDER DETAILS

- Mounts not included.
Use mount #031-01645 (below)



SPECIFICATIONS

part no. (2 fenders)	weight (lbs.)	pop. code	construction	recommended mount package sets for pair	part no. (1 fender)
034-02212	42.00	A	18 gauge 430 polished stainless steel	two end (E)	034-02213

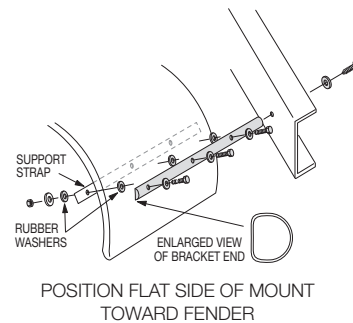
End Mount for Smooth Skin Full Round Tandem Fenders - 19.50" Wheel Applications (E)

FEATURES

- Flush mount design results in more bearing surface
- Use single mounting hole or one of the existing suspension casting holes and bolts for installation
- Stainless steel construction
- Rubber washer positioned between bracket and fender

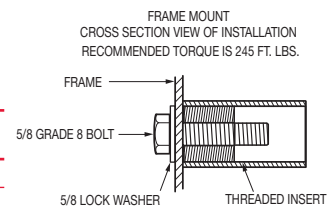
ORDER DETAILS

- Used with Smooth Skin Full Round Tandem Fender part number 034-02212 only (above)
- Packaged set includes two mounting brackets, end caps*, and fender-to-bracket and bracket-to-chassis frame hardware



SPECIFICATIONS

part no.	weight (lbs.)	pop. code	description	construction
031-01645	15.95	A	packaged set	stainless steel



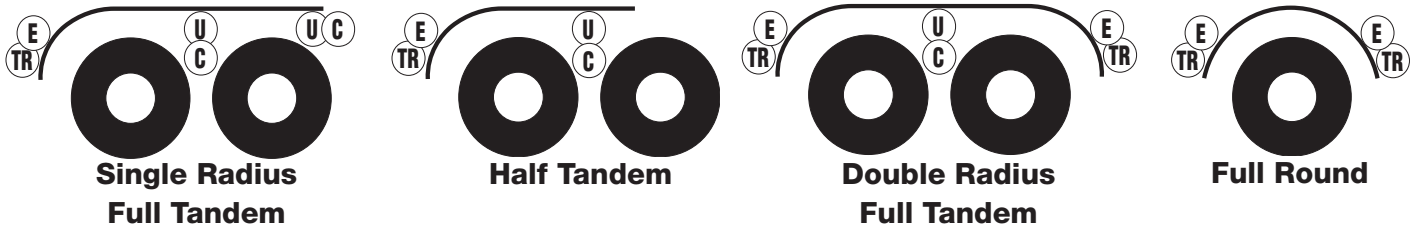
•NOTE: The tandem mounting support brackets and the various models of tandem fenders are purposely not pre-drilled on top because of the many vehicle variations and side frame clearance problems. Drilling specifically to match the application offers the most flexibility of mounting options without defacing the fenders or weakening the mounts with unnecessary holes.

*See plastic end cap chart on page 51 for additional information

X-FLEX® Mounting System

SPRAY CONTROL

X-FLEX® MOUNTING TECHNOLOGY



SELECTION PROCESS:

1. Determine fender type
2. Determine mount locations and quantity needed*
3. Determine mount type (straight or offset)
4. Determine tube finish

MOUNT TYPE	
TR	U
Top Radius	Under

X-FLEX® Packaged Sets <i>Includes everything needed to mount fenders*</i>					TR	U
part no.	description	isolator type	mount type	tube finish	Top Radius	Under
031-01234	X-FLEX® straight mount-TR	Vibrowedge®	straight	RoadKote® (black E-coat)	•	
031-01235	X-FLEX® straight mount-TR	Vibrowedge®	straight	stainless steel	•	
031-01226	X-FLEX® Multi-Mount-U	Iso-Blox®	multi-adj. offset	RoadKote® (black E-coat)		•
031-01227	X-FLEX® Multi-Mount-TR	Vibrowedge®	multi-adj. offset	RoadKote® (black E-coat)	•	
031-01228	X-FLEX® Multi-Mount-TR	Vibrowedge®	multi-adj. offset	stainless steel	•	
031-01238	X-FLEX® PivotBar-TR	Vibrowedge®	fixed offset	RoadKote® (black E-coat)	•	
031-01239	X-FLEX® PivotBar-TR	Vibrowedge®	fixed offset	stainless steel	•	

* Important: Each part number represents TWO mounts of ONE designation (TR, or U)

X-FLEX Vibro-Isolators <i>Mounts NOT included</i>		
031-00096	X-FLEX® Vibrowedge® - Radius	•
031-01208	X-FLEX® Iso-Blox®	•
031-01209	X-FLEX® Iso-Blox® Xtend-a-pad - must be used with 031-01208	•

NOTE: This application guide is intended to be a general guide to help the installer. Because of the large number of possible mounting configurations, the installer is responsible for the ultimate installation design. Any modifications to the product are at the discretion, responsibility, and risk of the installer. These kits may not fit all truck models or types of suspensions. Check the truck manufacturer for suspension movement specifications.

For mounting on top of fender (flat applications) or other mounting applications, contact the Fleet Engineers Engineering Department.

X-FLEX® Straight Mount - TR	X-FLEX® Multi-Mount-U	X-FLEX® Multi-Mount-TR	X-FLEX® PivotBar® - TR
With VibroWedge® Isolator Part # 031-01234, 031-01235	With Iso-Blox® Isolator Part # 031-01226	With VibroWedge® Isolator Part # 031-01227, 031-01228	With VibroWedge® Isolator Part # 031-01238, 031-01239
U.S. Patent #6,648,373	U.S. Patent #6,648,373 and 7,073,804 CAN. Patent #2,416,956	U.S. Patent #6,648,373 and 7,073,804 CAN. Patent #2,416,956	U.S. Patent #6,648,373 and 6,471,228



X-FLEX® Multi-Mount® (U) C



APPLICATION

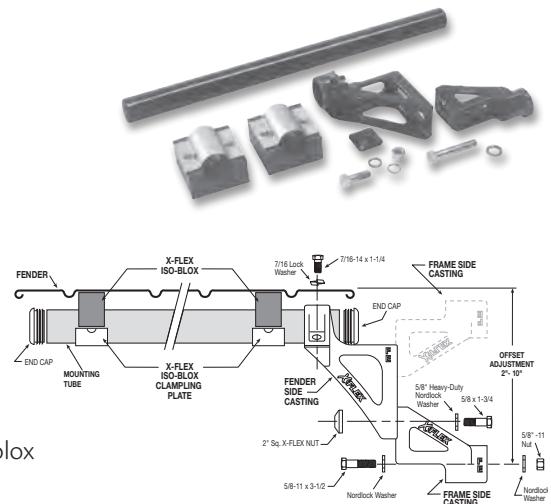
- Designed for mounting under the fender in a center position using the X-FLEX® Iso-blox® (part # 031-01208) included
- Will work on most fenders from a variety of manufacturers

FEATURES

- Allows for adjustable offset range of 0" to 8.00" from centerline of mounting tube to centerline of chassis mounting bolt.
- Eliminates direct metal-to-metal contact
- Uses "Nordlock" anti-vibration washers in 5/8" applications

ORDER DETAILS

- Set consists of two E-coat fender-side castings and two frame-side castings, castings to chassis hardware, two RoadKote® finish tubes, four end caps,* four Iso-blox mounts, four metal caps, fender to Iso-blox hardware, and mounting bracket to Iso-blox hardware



SPECIFICATIONS

part no.	weight (lbs.)	pop. code
031-01226	32.82	A

U.S. Patent #6,648,373 and 7,073,804
CAN. Patent #2,416,956

X-FLEX® Multi-Mount® (TR) and (TF) E

APPLICATION

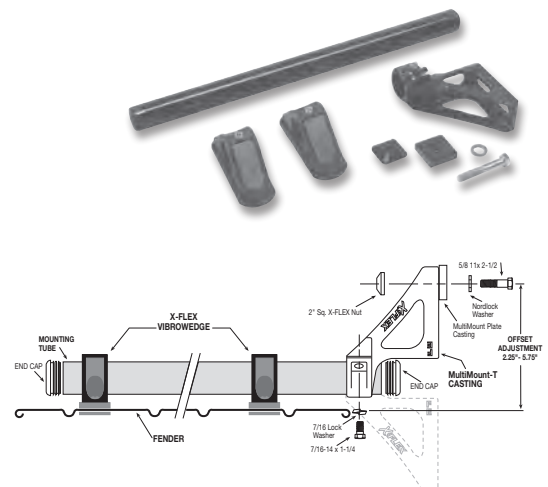
- Designed for mounting on top of the fender in a center or end position using the X-FLEX® Vibrowedge®
- Will work on most fenders from a variety of manufacturers

FEATURES

- Minimizes "spider web" cracking where fender is attached to mounts
- Eliminates direct metal-to-metal contact and creates a "free floating" zone of vibration isolation
- Allows for adjustable offset range of 2.25" to 5.75" from centerline of mounting tube to centerline of chassis mounting bolt.
- Uses "Nordlock" anti-vibration washers in 5/8" applications

ORDER DETAILS

- Set consists of two tubes, four end caps*, four mount retainers, four Vibrowedge isolators, four backing straps, eight stainless steel covers, stainless steel fender to bracket hardware, two E-coat fender side castings, two frame plates, casting to bracket, and casting to chassis hardware



SPECIFICATIONS

part no.	weight (lbs.)	pop. code	tube construction	application
031-01227	25.10	A	RoadKote® (E-coat)	TR (end)
031-01228	25.10	A	stainless steel	TR (end)
031-01229	25.38	A	RoadKote® (E-coat)	TF (center)
031-01230	25.38	A	stainless steel	TF (center)

*See application guide on page 24
*See plastic end cap chart on page 51 for additional information

U.S. Patent #6,648,373 and 7,073,804
CAN. Patent #2,416,956



X-FLEX® Straight Mount (TR) and (TF) E

APPLICATION

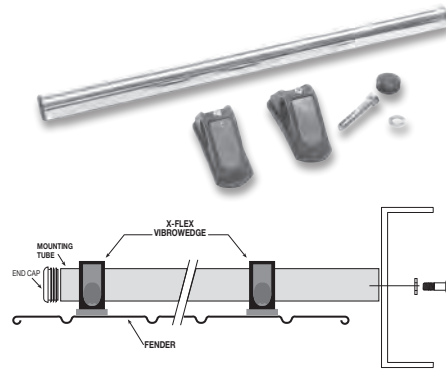
- Will work on most fenders from a variety of manufacturers

FEATURES

- X-FLEX® VibroWedges® minimize "spider web" cracking where fender is attached to mounts
- Eliminates direct metal-to-metal contact and creates a "free floating" zone of vibration isolation

ORDER DETAILS

- Set consists of two tubes, bracket to chassis hardware, two end caps,* four mount retainers, four Vibrowedge® isolators, four backing straps, eight stainless steel covers, and stainless steel fender to bracket hardware



SPECIFICATIONS

part no.	weight (lbs.)	pop. code	tube construction	application
031-01234	17.67	A	RoadKote® (E-coat)	TR (end)
031-01235	17.67	A	stainless steel	TR (end)
031-01236	17.95	A	RoadKote® (E-coat)	TF (center)
031-01237	17.95	A	stainless steel	TF (center)

patent #6,648,373

X-FLEX® PivotBar® Mount (TR) and (TF) E

APPLICATION

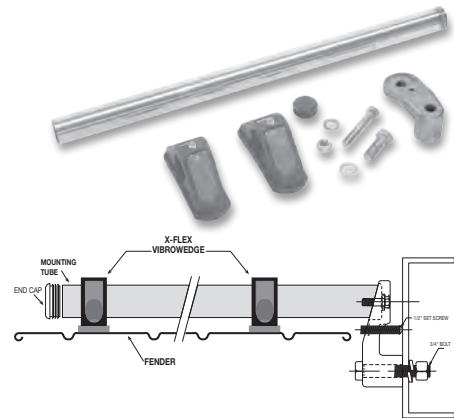
- Will work on most fenders from a variety of manufacturers

FEATURES

- X-FLEX® VibroWedges® minimize "spider web" cracking where fender is attached to mounts
- Eliminates direct metal-to-metal contact and creates a "free floating" zone of vibration isolation
- Provides an offset of 4.00" and rotates 360°

ORDER DETAILS

- Bulk kit consists of two E-coat PivotBar® adaptors, adaptor to chassis hardware, two tubes, bracket to adaptor hardware, two end caps,* four mount retainers, four Vibrowedge® isolators, four backing straps, eight stainless steel covers and stainless steel fender to bracket hardware



SPECIFICATIONS

part no.	weight (lbs.)	pop. code	tube construction	application
031-01238	28.58	A	RoadKote® (E-coat)	TR (end)
031-01239	28.58	A	stainless steel	TR (end)
031-01240	28.86	A	RoadKote® (E-coat)	TF (center)
031-01241	28.86	A	stainless steel	TF (center)

patent #6,648,373 and #6,471,228

*See application guide on page 24

*See plastic end cap chart on page 51 for additional information

APPLICATION

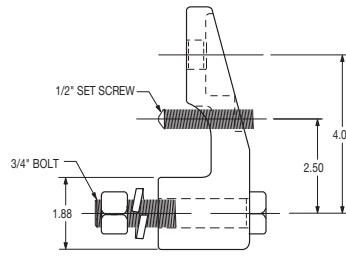
- Greatly assists in properly mounting tandem fenders where needed

FEATURES

- Stout casting with E-coat finish
- Provides an offset of 4.00" and rotates 360°

ORDER DETAILS

- Must be used in conjunction with tandem end mount packaged sets (post style - pg. 30)
- Standard packaged set includes two adapters, adapter to chassis hardware and two jamming screws



SPECIFICATIONS

part no.	weight (lbs.)	pop. code	description
031-01586	10.91	A	standard offset mount adapter packaged set
033-04730	3.61	A	individual adapter
031-01219	1.56	A	hardware packaged set for standard offset mount adapter kit

U.S. Patent 6,471,228
CAN. Patent #2,328,682

X-FLEX® VibroWedge® (TR) and (TF)

APPLICATION

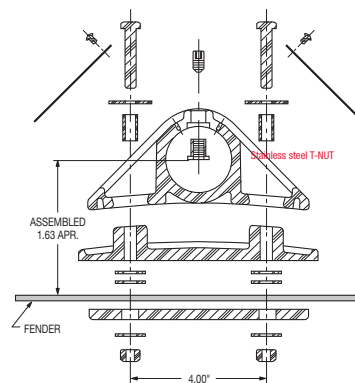
- Will work on most fenders from a variety of manufacturers

FEATURES

- Minimizes spider web cracking where fender is attached to mounts
- Primary application is as an end mount
- Eliminates all direct metal to metal contact and creates a "free floating" zone of vibration isolation

IMPROVEMENTS

- Stainless steel T-nut prevents cracked retainer due to overtightening



Backing Strap Rubber Isolator Mount Retainer



ORDER DETAILS

- For use with 1-7/8" round end mount tube, not included
- Packaged set consists of four mount retainers, four VibroWedge® isolators, four backing straps, eight stainless steel covers, and stainless steel fender-to-bracket hardware

SPECIFICATIONS

part no.	weight (lbs.)	pop. code	description	application*
031-00096	4.69	A	complete packaged set for radius application	TR
031-00097	4.97	A	complete packaged set for flat application	TF

U.S. Patent #6,648,373
CAN. Patent # 2,356,064

*See application guide on page 24

*See plastic end cap chart on page 51 for additional information

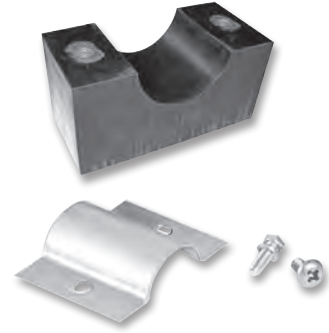
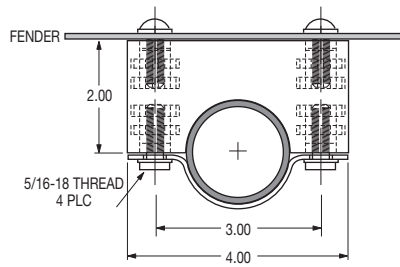
X-FLEX® Iso-blox®

APPLICATION

- Will work on most fenders from a variety of manufacturers
- Primary application is as a center mount

FEATURES

- Minimizes spider web cracking where fender is attached to mounts
- Eliminates all direct metal to metal contact and creates a "free floating" zone of vibration isolation



ORDER DETAILS

- Packaged set consists of four Iso-blox®, four metal caps, fender-to-block hardware, and mounting tube-to-blocks hardware
- Use with any 1-7/8" mounting tube

SPECIFICATIONS

part no.	weight (lbs.)	pop. code	description	application*
031-01208	3.05	A	X-Flex blocks and hardware	U

patent #6,648,373

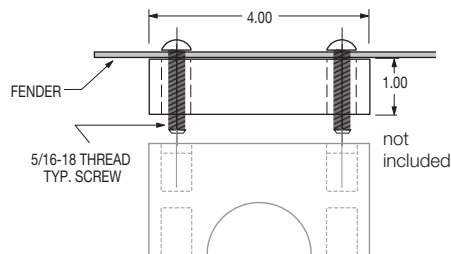
X-FLEX® Iso-blox® Xtend-A-Pad

FEATURES

- Allows additional vertical adjustment when mounting fender using the X-FLEX® system
- Raises the mounting height of the fender by 1.00"

ORDER DETAILS

- Packaged set consists of four Iso-blox®, hardware to attach the fender to Xtend-A-Pad and X-FLEX® Iso-blox
- Must be used with the X-FLEX® Iso-blox®



SPECIFICATIONS

part no.	weight (lbs.)	pop. code	application*
031-01209	3.44	A	U

U.S. Patent #6,648,373
CAN. Patent #2,356,064

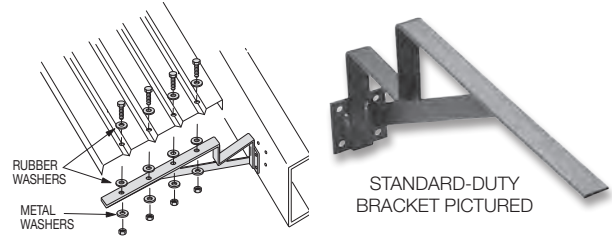
*See application guide on page 24

*See plastic end cap chart on page 51 for additional information

Center Mount C

FEATURES

- Steel construction, black primer finish
- Flat rubber washer positioned between bracket and fender
- Concave rubber washer positioned between bolt and fender
- For use with double radius, single radius, and half tandem fenders
- Standard bracket mounting plate 3.75" x 3.75" with regular holes
- Heavy-duty bracket mounting plate 4.00" x 6.00" with slotted holes



ORDER DETAILS

- Packaged set includes two mounting brackets with fender-to-bracket hardware

SPECIFICATIONS

part no.	weight (lbs.)	pop. code	description	construction	application	gusset width (in.)	bracket width (in.)
031-00541	15.02	A	packaged set	black primed steel	standard-duty	1.50	1.50
034-00866	7.36	A	one bracket	black primed steel	standard-duty	1.50	1.50
031-00844	35.04	A	packaged set	black primed steel	heavy-duty	2.50	2.00
034-01658	17.37	A	one bracket	black primed steel	heavy-duty	2.50	2.00
031-00550	.30	A	hardware packaged set	zinc plated steel	n/a	n/a	n/a

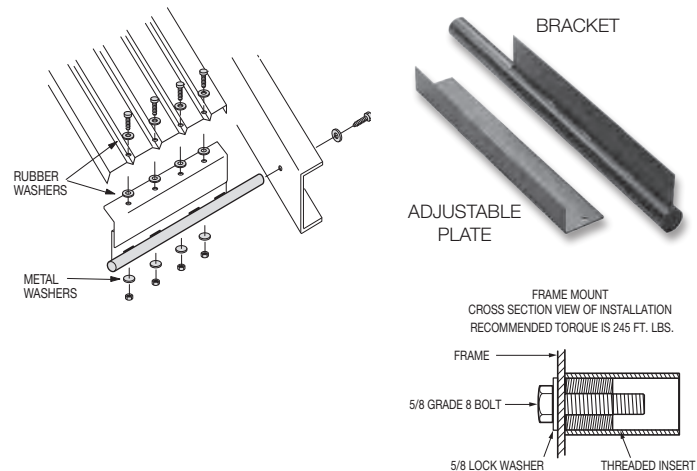
Post Style Center Mount C

APPLICATION

- For use with double radius, single radius, and half tandem fenders
- Ideal for frames with limited mounting space

FEATURES

- **Flush mount design results in more bearing surface**
- Steel construction, black primer finish
- Flat rubber washer positioned between bracket and fender
- Concave rubber washer positioned between bolt and fender
- Use single mounting hole or one of the existing suspension casting holes and bolts for installation



ORDER DETAILS

- Packaged set includes two mounting brackets, two adjustable plates, end caps*, fender-to-bracket and bracket-to-chassis frame hardware

SPECIFICATIONS

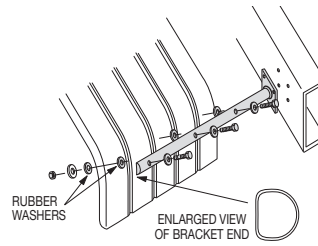
part no.	weight (lbs.)	pop. code	description	construction
031-01257	27.02	A	packaged set	black primed steel
034-01659	9.01	A	one bracket	black primed steel
031-00575	3.96	A	adjustable plate for one complete mount	black primed steel
031-01258	1.08	A	hardware packaged set	zinc plated steel

•NOTE: The tandem mounting support brackets and the various models of tandem fenders are purposely not pre-drilled on top because of the many vehicle variations and side frame clearance problems. Drilling specifically to match the application offers the most flexibility of mounting options without defacing the fenders or weakening the mounts with unnecessary holes.

Side Style End Mount E

FEATURES

- Steel construction with RoadKote®, zinc, or chrome finish
- For use with double radius, single radius, half tandem, and full round fenders
- 30.25" length for added strength and durability
- Rubber washer positioned between bracket and fender
- Mounting plate 3.75" x 3.75"



POSITION FLAT SIDE OF MOUNT TOWARD FENDER

ORDER DETAILS

- Package set includes two mounting brackets, end caps*, and bracket-to-fender hardware

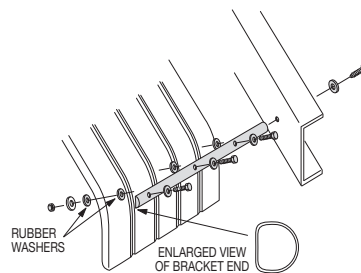
SPECIFICATIONS

part no.	weight (lbs.)	pop. code	description	construction
031-00542	14.66	A	packaged set	RoadKote® (black E-coat)
034-00867	7.10	A	one bracket	RoadKote® (black E-coat)
031-00846	14.66	A	packaged set	polished chrome
034-01546	7.10	A	one bracket	polished chrome
031-00845	14.66	A	packaged set	zinc plated steel
034-01545	7.10	A	one bracket	zinc plated steel
031-00551	.46	A	hardware packaged set	zinc plated steel

Post Style End Mount E

FEATURES

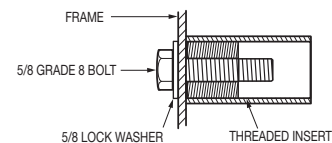
- Flush mount design results in more bearing surface
- Steel construction with RoadKote® or stainless finish
- 30.25" long for added strength and durability
- Ideal for frames with limited mounting space
- Rubber washer positioned between bracket and fender
- Use single mounting hole or one of the existing suspension casting holes and bolts for installation



POSITION FLAT SIDE OF MOUNT TOWARD FENDER



FRAME MOUNT
CROSS SECTION VIEW OF INSTALLATION
RECOMMENDED TORQUE IS 245 FT. LBS.



ORDER DETAILS

- Packaged set includes two mounting brackets, end caps*, and fender-to-bracket and bracket-to-chassis frame hardware
- For use with double radius, single radius, half tandem, and full round fenders

SPECIFICATIONS

part no.	weight (lbs.)	pop. code	description	construction
031-01253	14.36	A	packaged set	RoadKote® (black E-coat)
034-01662	6.60	A	one bracket	RoadKote® (black E-coat)
031-01255	1.16	A	hardware packaged set	zinc plated steel
031-01254	14.06	A	packaged set	stainless steel
034-01663	6.53	A	one bracket	stainless steel
031-01256	1.10	A	hardware packaged set	stainless steel

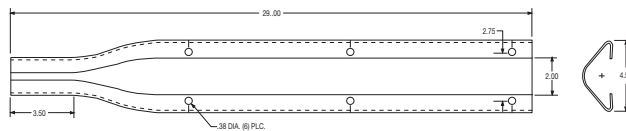
*NOTE: The tandem mounting support brackets and the various models of tandem fenders are purposely not pre-drilled on top because of the many vehicle variations and side frame clearance problems. Drilling specifically to match the application offers the most flexibility of mounting options without defacing the fenders or weakening the mounts with unnecessary holes.

*See plastic end cap chart on page 51 for additional information

Triangle End Mount - Stainless Steel Finish **E**

ORDER DETAILS

- Packaged set consists of two end mount brackets, hanger clamps, fender to bracket stainless steel hardware, zinc clamp hardware and hole template
- Individual bracket does not include hanger clamp or clamp hardware
- Post mount not included, order part number 031-00235



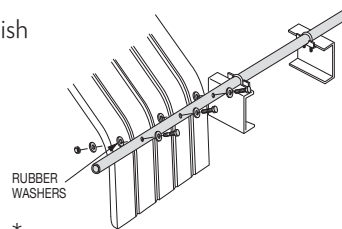
SPECIFICATIONS

part no.	weight (lbs.)	pop. code	description	cross reference
031-01630	11.46	A	packaged set	N200SS7, 30-7391S
034-02184	4.44	A	one bracket plus hardware and template-packaged set	
032-00426	.96	A	one stainless steel hanger tube clamp	
031-00203	.62	A	hardware packaged set	

95" Long Cross Mount Tube **E**

FEATURES

- Steel construction with chrome, zinc, or black primer finish
- Rubber washer positioned between bracket and fender
- For use with double radius, single radius, and half tandem fenders



ORDER DETAILS

- Bulk kit contains one tandem cross mount tube, end caps*, and fender-to-tube and tube-to-chassis frame hardware

SPECIFICATIONS

part no.	weight (lbs.)	pop. code	description	construction
031-00782	15.20	A	bulk kit	polished chrome
032-00357	13.70	A	one tandem cross mount tube	polished chrome
031-00784	15.20	A	bulk kit	zinc plated steel
032-00356	13.70	A	one tandem cross mount tube	zinc plated steel
031-00786	15.20	A	bulk kit	black primed steel
032-00355	13.70	A	one tandem cross mount tube	black primed steel
031-00051	1.69	A	hardware packaged set	zinc plated steel

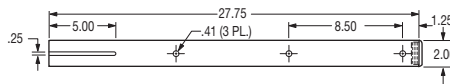
Stainless Steel End Mount Support Tube **E**

APPLICATION

- Must be used with post, side mount socket or 50" cross tube

ORDER DETAILS

- Includes attractive black plastic end cap*
- Does not include hardware



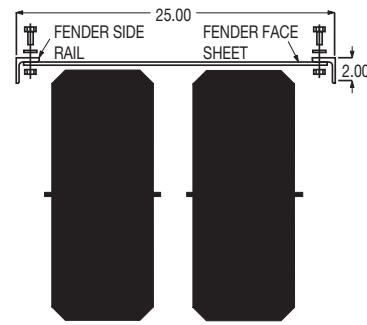
SPECIFICATIONS

part no.	weight (lbs.)	pop. code	description	cross reference
031-00095	2.40	A	one tube with end cap packaged set	N123-SS-7, 1585-6
032-00224	0.48	A	one stainless steel hanger tube clamp	
031-00295	0.62	A	hardware pack. set for clamps with 5/8" bolt/nut	

Heavy-Duty Tandem Fenders

FEATURES

- **Not a smooth skin fender**
- Heavy-duty side rail construction
- Comes with flap bracket on one end for ease of mounting a mud flap
- Add support plate when using X-FLEX® mounts



ORDER DETAILS

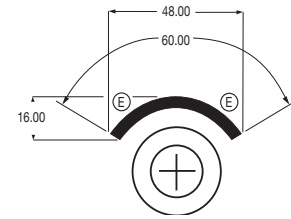
- Mounts not included - for a variety of tandem mount options, refer to page 33
- Part number represents two fenders (bulk kit)



HEAVY-DUTY FULL ROUND TANDEM FENDERS

SPECIFICATIONS

kit part no.	weight (lbs.)	pop. code	construction	angle construction	recommended mounts
034-00461	85.00	B	18 gauge black primed steel	steel	two end (E)
034-00463	75.00	B	18 gauge stainless steel	aluminum	two end (E)
034-00464	75.00	B	14 gauge aluminum	aluminum	two end (E)



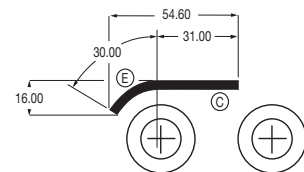
HEAVY-DUTY HALF ROUND TANDEM FENDERS

SPECIFICATIONS

kit part no.	weight (lbs.)	pop. code	construction	angle construction	recommended mounts
034-00455	90.00	B	18 gauge black primed steel	steel	one end (E) and one center (C)
034-00457	75.00	B	18 gauge stainless steel	aluminum	one end (E) and one center (C)
034-00458	44.00	B	14 gauge aluminum	aluminum	one end (E) and one center (C)



61.00 DEVELOPED LENGTH OVERALL



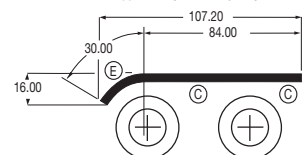
HEAVY-DUTY SINGLE RADIUS TANDEM FENDERS

SPECIFICATIONS

kit part no.	weight (lbs.)	pop. code	construction	angle construction	recommended mounts
034-00449	160.00	B	18 gauge black primed steel	steel	one end (E) and two center (C)
034-00451	135.00	B	18 gauge stainless steel	aluminum	one end (E) and two center (C)
034-00452	85.00	B	14 gauge aluminum	aluminum	one end (E) and two center (C)

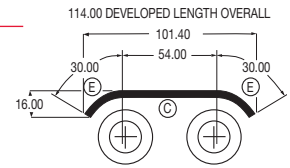


114.00 DEVELOPED LENGTH OVERALL



HEAVY-DUTY DOUBLE RADIUS TANDEM FENDERS SPECIFICATIONS

kit part no.	weight (lbs.)	pop. code	construction	angle construction	recommended mounts
034-00443	155.00	B	18 gauge black primed steel	steel	two end (E) and one center (C)
034-00445	130.00	B	18 gauge stainless steel	aluminum	two end (E) and one center (C)
034-00446	90.00	B	14 gauge aluminum	aluminum	two end (E) and one center (C)



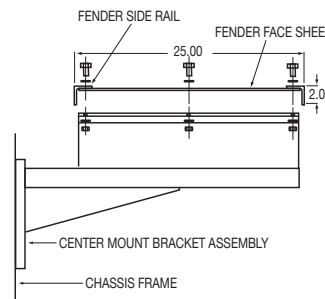
Heavy-Duty Center Mount (C)

FEATURES

- For use with double radius, single radius, and half tandem fenders
- 30.25" length for added strength and durability
- Mounting plate 4.50" x 12.00" with holes

ORDER DETAILS

- Bulk kit includes two center mount brackets, end caps* and two upper support plates with fender-to-bracket hardware



SPECIFICATIONS

part no.	weight (lbs.)	pop. code	description	construction
031-00063	45.81	B	bulk kit	black primed steel
033-00089	17.68	B	center mount bracket assembly	black primed steel
031-00043	5.02	B	upper support plate	black primed steel
031-00061	.41	B	hardware packaged set	zinc plated steel

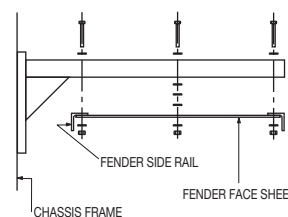
Heavy-Duty End Mount (E)

FEATURES

- For use with double radius, single radius, half tandem, and full round fenders
- 30.25" length for added strength and durability
- Mounting plate 4.50" x 12.00" with holes

ORDER DETAILS

- Bulk kit includes two end mount brackets, end caps* and fender-to-bracket hardware



SPECIFICATIONS

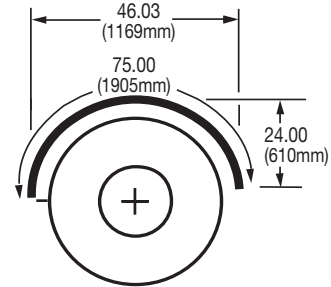
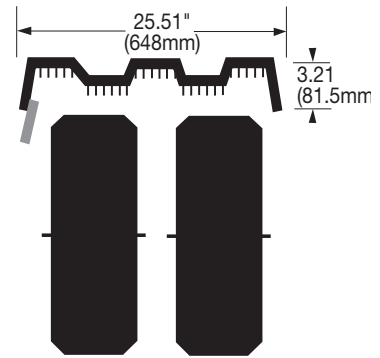
part no.	weight (lbs.)	pop. code	description	construction
031-00064	25.10	B	bulk kit	black primed steel
033-00088	12.16	B	end mount bracket assembly	black primed steel
031-00062	.78	B	hardware packaged set	zinc plated steel

*See plastic end cap chart on page 126 for additional information

Spray Mate® Polypropylene Full Round Fenders

FEATURES

- Lightweight, polypropylene material is tougher than the polyethylene used in other plastic fenders
- Injection molded guarantees controlled uniformity and consistency of thickness resulting in a stronger component, unlike rotational molded where consistent thickness is not controlled.
- Thru color stabilized with UV additive for fade resistance
- Integrally molded ribs for added strength and spray reduction
- Unaffected by heat and cold—range of -40°F to 130°F (-40°C to 55°C)
- Connector kit, curved brush kit, and flap reinforcing straps sold separately
- Individual fender includes fender only
- Decorative stainless steel strips attached to the grooves in the fender enhance appearance. See page 47 for information.



PLEASE NOTE:

- Flap weights are not recommended and may void the warranty.
- Painting Spray Mate® fenders IS NOT recommended and may void the warranty. If painting is desired, a Flex Agent MUST be added to the paint!

SPRAY MATE® FEATURES

- Support straps on the underside of the fender bolt each hanger in four places which locks the supports in place resulting in an excellent connection by “sandwiching” the fender between the two components

ORDER DETAILS

- Bulk kit includes two fenders, support kits, and necessary support-to-fender and support-to-bracket stainless steel mounting hardware
- Mounting hardware includes stainless steel nuts, bolts, washers, and allen head set screws
- Support packaged sets not assembled to fenders
- Single fenders do not include support packaged sets
- Requires two end mount packaged sets per pair of fenders



SPECIFICATIONS

bulk kit part # (2 fenders)	part no. (1 fender)*	weight (lbs.)	pop. code	color	description	required mounts
031-01520	034-01520	35.00	A	black	full round bulk kit	two end mount sets
031-01521	034-01521	35.00	A	silver/gray	full round bulk kit	two end mount sets
031-01522	034-01522	35.00	A	medium blue	full round bulk kit	two end mount sets
031-01523	034-01523	35.00	A	yellow	full round bulk kit	two end mount sets
031-01524	034-01524	35.00	A	white	full round bulk kit	two end mount sets
031-01525	034-01525	35.00	A	orange	full round bulk kit	two end mount sets
031-01526	034-01526	35.00	A	brown	full round bulk kit	two end mount sets
031-01527	034-01527	35.00	A	green	full round bulk kit	two end mount sets
031-01528	034-01528	35.00	A	navy blue	full round bulk kit	two end mount sets
031-01529	034-01529	35.00	A	red	full round bulk kit	two end mount sets

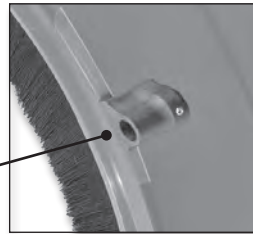
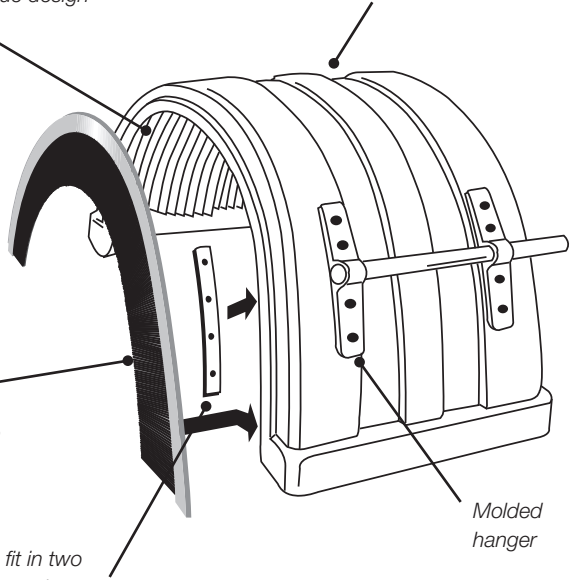
Integrally molded ribs and side valances increase the strength of the fender. This unique design channels water down to the road to minimize spray and maximize safety to motorists.

Rib pattern is stronger than smooth skin plastic design fenders. Lightweight, high density polypropylene material will never rust or corrode and is available in multiple colors.

Optional curved brush significantly reduces spray to improve both driver and motorist visibility yet allows air to flow through the flexible filament skirting.

Support straps fit in two of the channels on the underside of the fender, bolting each molded nylon hanger in four places. This locks the support kit in place, "sandwiching" the fender between the two components resulting in an excellent connection.

Spray Mate® with SlideTrax® allows for up to 7" of adjustment



Tire Sizes Compatible with Spray Mate® and Spray Mate® with Slidetrax Fenders

Minimum tire diameter is 35.2" (894mm)
Maximum tire diameter is 41.78" (1061mm)

North American truck dual tire sizes

- 245 /70R19.5*
- 265 /70R19.5*
- 285 /70R19.5*
- 9.00R20
- 10.00R20
- 11.00R20
- 9R22.5
- 10R22.5
- 11R22.5
- 12R22.5
- 235 /80R22.5
- 255 /80R22.5
- 255 /70R22.5
- 275 /70R22.5
- 275 /80R22.5
- 275 /80R24.5
- 11R24.5

* Recommended use with spray suppression brush or skirting

European truck dual tyre sizes

- 9.5R17.5*
- 10R17.5*
- 235 /75R17.5*
- 245 /75R17.5*
- 245 /75R19.5*
- 265 /75R19.5*
- 6.50R20*
- 9.00R19.5
- 9.50R19.5
- 7.00R20
- 7.50R20
- 8.25R20
- 10.00R20
- 8R22.5
- 9R22.5
- 10R22.5
- 10 /70R22.5
- 255 /70R22.5
- 11R22.5
- 11 /70R22.5
- 275 /70R22.5
- 275 /80R22.5
- 285 /70R22.5
- 295 /70R22.5

* MUST use with spray suppression brush or skirting

SPRAY MATE® WITH SLIDETRAX® FEATURES

- Easy to install, easy to adjust
- The teeth on the Slidetrax® Clamp "bite" into the teeth on the Slidetrax® of the fender to acquire a tight grip but are also easily loosened to provide up to 7" of adjustment
- Eliminates the need to drill holes in the fender to mount

ORDER DETAILS

- Spray Mate® bulk kits include two fenders, 8 Slidetrax® clamps, 4 reflectors, 8 stainless steel threaded T-nuts, and 8 stainless steel setscrews
- Single fenders do not include Slidetrax® clamps and hardware
- Requires two end mount packaged sets per pair of fenders



SPECIFICATIONS

bulk kit part # (2 fenders)	part no. (1 fender)*	weight (lbs.)	pop. code	color	description	required mounts
031-01700	034-02464	25.30	A	black	full round bulk kit	two end mount sets
031-01701	034-02465	25.30	A	silver/gray	full round bulk kit	two end mount sets
031-01702	034-02466	25.30	A	white	full round bulk kit	two end mount sets
031-01703	034-02467	25.30	A	red	full round bulk kit	two end mount sets

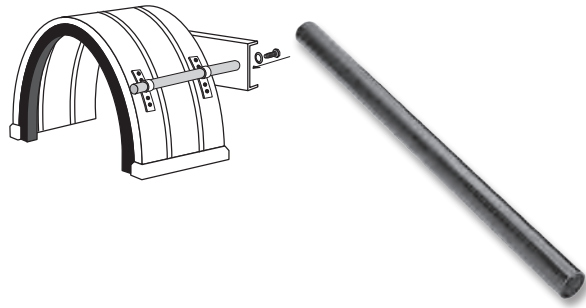
Post Style Round End Mount for Spray Mate® Fenders

FEATURES

- Flush mount design results in more bearing surface
- Steel construction, RoadKote® or stainless steel finish
- 30.25" long for added strength and durability

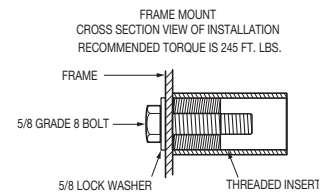
ORDER DETAILS

- Packaged set includes two end mount brackets, end caps*, and bracket-to-chassis hardware
- Requires two end mount packaged sets per pair of fenders
- Compatible with both Spray Mate® styles



SPECIFICATIONS

part no.	weight (lbs.)	pop. code	description	construction
031-01250	12.98	A	complete with two brackets	RoadKote® (black E-coat)
031-01251	12.98	A	complete with two brackets	stainless steel
034-01660	6.38	A	one bracket	RoadKote® (black E-coat)
034-01661	6.38	A	one bracket	stainless steel
031-01252	.23	A	hardware packaged set	zinc plated steel



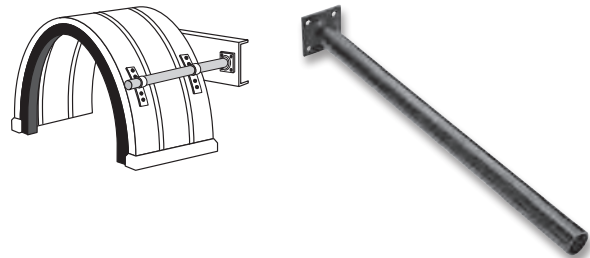
Side Style Round End Mount for Spray Mate® Fenders

FEATURES

- Steel construction, RoadKote® finish
- 30.25" long for added strength and durability
- Mounting plate is 3.75" x 3.75"

ORDER DETAILS

- Packaged set includes two end mount brackets and end caps*
- Bracket-to-chassis hardware not included
- Requires two end mount packaged sets per pair of fenders
- Compatible with both Spray Mate® styles



SPECIFICATIONS

part no.	weight (lbs.)	pop. code	description	construction
031-00870	13.98	A	packaged set w/ two brackets	RoadKote® (black E-coat)
032-00253	7.10	A	one bracket	RoadKote® (black E-coat)

*See plastic end cap chart on page 51 for additional information

Offset Mount for Spray Mate® Fenders

APPLICATION

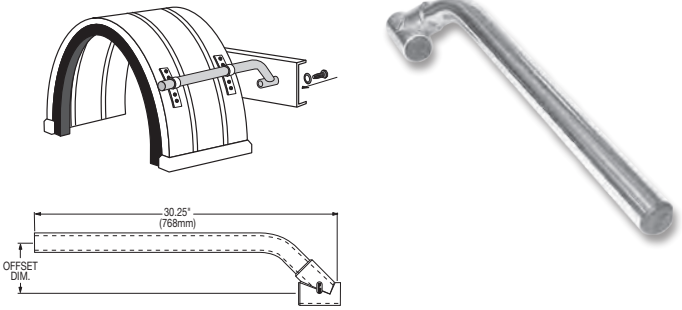
- Positions fender where needed when dealing with limited mounting space

FEATURES

- Steel construction, RoadKote® or stainless steel finish
- 5.00" offset between centers of tubes
- 30.00" length

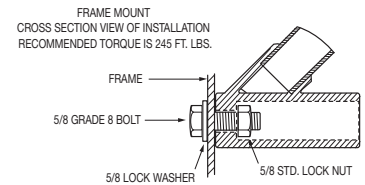
ORDER DETAILS

- Packaged sets include two mounting brackets, end caps* and bracket-to-chassis hardware
- Requires two end mount packaged sets per pair of fenders
- **Not compatible with Spray Mate® Slidetrax®. Only use with standard Spray Mate® fenders.**



SPECIFICATIONS

part no.	weight (lbs.)	pop. code	description	construction
031-00883	15.80	A	packaged set	RoadKote® (black E-coat)
034-01600	7.40	A	one bracket	RoadKote® (black E-coat)
031-00886	16.80	A	packaged set	stainless steel
034-01602	7.90	A	one bracket	stainless steel
031-01201	.27	A	hardware kit	zinc plated steel



PivotBar® for Spray Mate® Fenders



APPLICATION

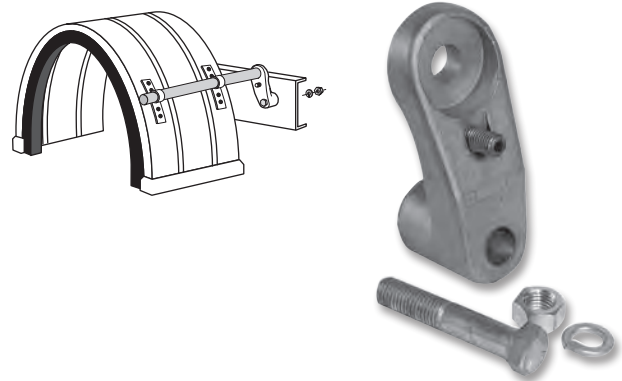
- Greatly assists in properly mounting Spray Mates® where needed

FEATURES

- Stout casting with E-coat finish
- Provides an offset of 4.00" and rotates 360°

ORDER DETAILS

- Packaged set includes two stainless steel end mount tubes, two Pivot Bar adapters, two jamming screws, bracket to adapter hardware, adapter to chassis hardware and two end caps*
- Requires two end mount packaged sets per pair of fenders
- Compatible with both Spray Mate® styles



SPECIFICATIONS

part no.	weight (lbs.)	pop. code	tube construction	adapter construction
031-00929	18.77	A	stainless steel	E-coat castings

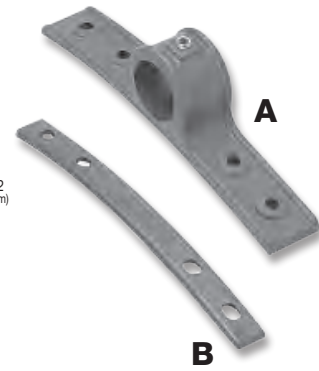
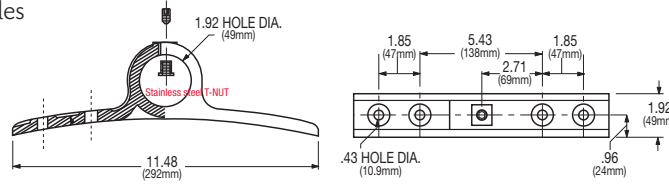
U.S. Patent #6,471,228
CAN. Patent #2,328,682

*See plastic end cap chart on page 51 for additional information

Replacement Support for Spray Mate® Fenders

ORDER DETAILS

- Packaged set includes four molded nylon hanger brackets (A), four support straps (B) and stainless steel mounting hardware
- Mounting hardware includes stainless steel nuts, bolts, washers, and hex-socket set screws



SPECIFICATIONS

part no.	weight (lbs.)	pop. code	description	construction	hardware
031-00823	3.60	A	packaged set	black molded nylon	stainless steel

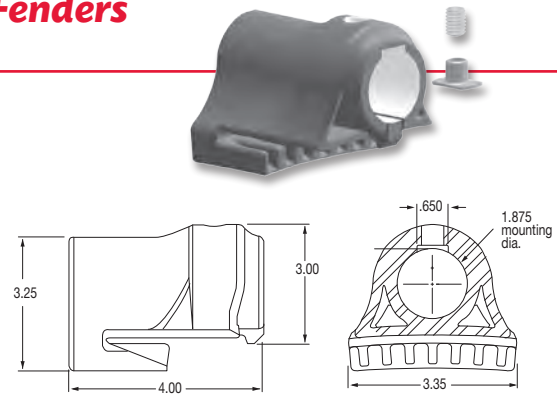
Replacement Slidetrax® for Spray Mate® Fenders

FEATURES

- Secures to the Slidetrax® on the Spray Mate® fender
- Stainless steel setscrew and T-nut grips fender and won't strip out when tightened
- Molded from a highly durable 15% glass-filled 6-6 nylon

ORDER DETAILS

- Includes four Slidetrax® clamps and stainless steel hardware consisting of four t-nuts and four setscrews
- Not compatible with Spray Master® fenders



SPECIFICATIONS

part no.	weight (lbs.)	pop. code
031-00858	2.61	A

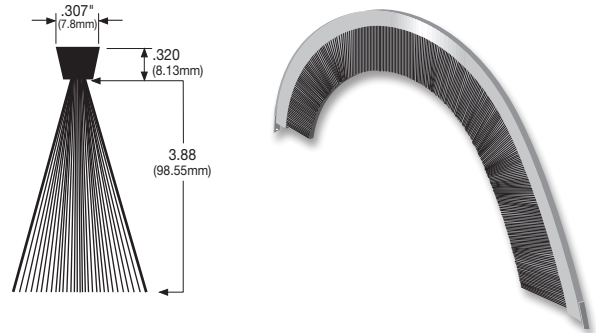
Optional Curved Brush for Spray Mate® Fenders

FEATURES

- Significant spray reduction improves both driver and motorist visibility
- Air flows through flexible filament skirting,
- Reduces spray to keep vehicles cleaner
- Improved tab design on both ends makes installation much easier

ORDER DETAILS

- Bulk kit includes two curved brushes and zinc self-taping screws with special protective coating
- Compatible with both Spray Mate® styles



SPECIFICATIONS

part no.	weight (lbs.)	pop. code	construction	hardware
031-01536	3.60	A	black molded nylon with stainless steel retainer	stainless steel

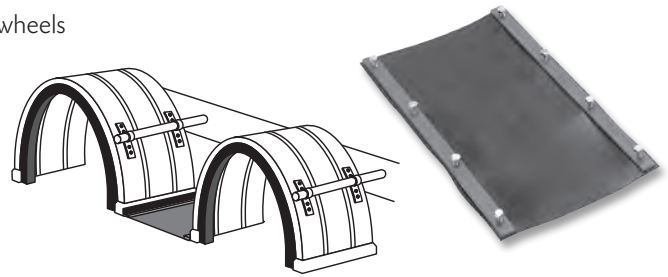
Optional Connector for Spray Mate® Fenders

FEATURES

- Connects two consecutive Spray Mate® fenders for tandem wheels

ORDER DETAILS

- Packaged set includes rubber connector (13.25" x 23.75"), two support straps, and mounting hardware
- Mounting hardware includes stainless steel nuts, bolts and washers
- Compatible with both Spray Mate® styles



SPECIFICATIONS

part no.	weight (lbs.)	pop. code	description	hardware
031-00828	3.10	A	black molded nylon	stainless steel

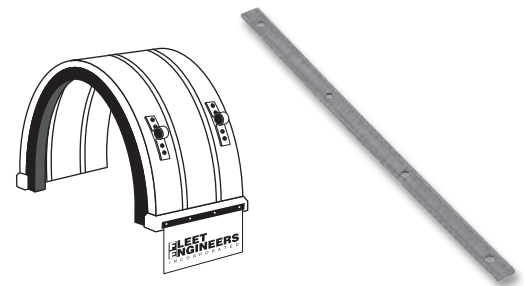
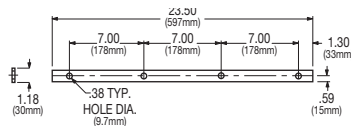
Optional Flap Reinforcing Strap for Spray Mate® Fenders

FEATURES

- Four hole pattern matches TTMA specifications
- Can be used to attach mud flap to fender
- Prevents tear out of mud flap holes

ORDER DETAILS

- Part number represents one strap
- Compatible with both Spray Mate® styles



SPECIFICATIONS

part no.	weight (lbs.)	pop. code	construction
033-04139	.23	A	black molded nylon

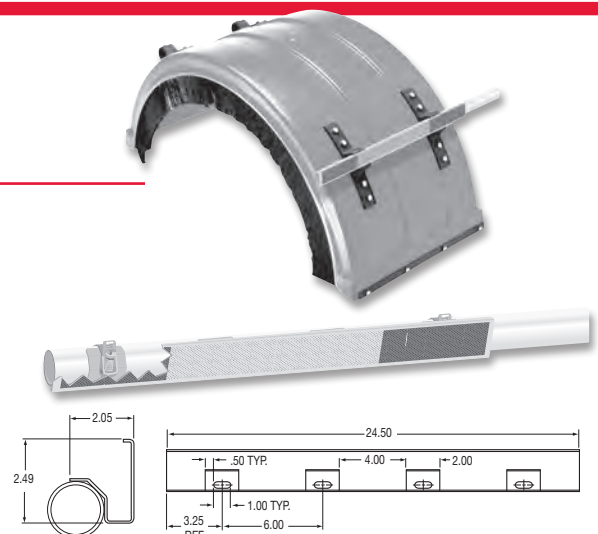
Conspicuity End Mount Plate for Spray Mate® Fenders

FEATURES

- DOT-C2 reflective tape adhered to plate meets requirements of the conspicuity law
- Easily installed on most metal or plastic tandem fenders
- Universal - use roadside or curbside

ORDER DETAILS

- Package set includes two plates and hardware
- Hardware packaged set includes two stainless steel unique swivel action clamps that fit both round and flat mounts



SPECIFICATIONS

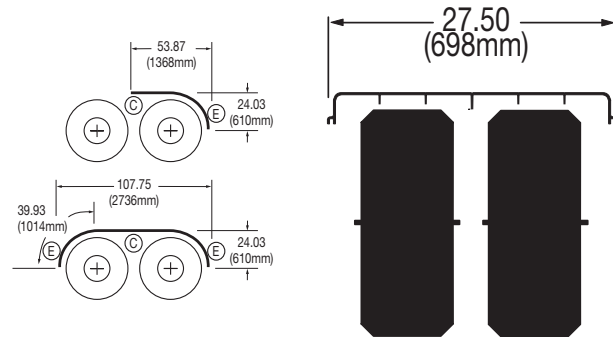
part no.	weight (lbs.)	pop. code	description	construction
031-01583	1.75	A	complete packaged set	aluminum plate w/ reflective tape
033-04269	0.62	A	one bracket	aluminum plate w/ reflective tape
031-01585	0.13	A	hardware packaged set	stainless steel

Patent #6,431,605

Spray Master® Polypropylene Half Tandem and Double Radius Fenders

FEATURES

- Lightweight, polypropylene material is tougher than the polyethylene used in other plastic fenders and superior to vacuum formed fenders
- Injection molded guarantees controlled uniformity and consistency of thickness resulting in a stronger component, unlike rotational molded where consistent thickness is not controlled.
- Four thru colors available - all stabilized with UV additive for fade resistance
- Integrally molded ribs on the underside for added strength and spray reduction
- Unaffected by heat and cold—range of -30°F to 150°F (-30°C to 66°C)



PLEASE NOTE:

- Flap weights are not recommended and may void the warranty.
- Painting Spray Master® fenders IS NOT recommended and may void the warranty. If painting is desired, a Flex Agent MUST be added to the paint!

Patent #7384071
Other Patents Pending

Lightweight TEO material is durable, flexible and will never rust or corrode.

Master Mount with 35mm (1-3/8") diameter tube.

Center mount connector clamps hold the center mount securely in place and also turn a half tandem into a double radius!

Center Master Multi-Mount for additional adjustability.

Hidden End Mount Clamp for SlideTrax

5" or 9" Offset Center Mount

Reflectors for added safety.

SlideTrax offer 12" of adjustability

Molded hanger bolts to the underside support strap

Easily turn a half tandem into a double radius using the center mount connector clamps!

SPRAY MASTER® HALF TANDEM AND DOUBLE RADIUS FENDERS

FEATURES

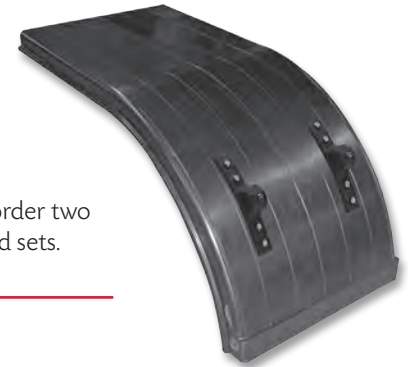
- Support straps on the underside of the fender bolt each hanger in four places which locks the supports in place resulting in an excellent connection by “sandwiching” the fender between the two components

ORDER DETAILS

- Spray Master® bulk kits include two fenders with reflectors already attached and Spray Mate® support packaged set (031-00823)
- Mounting hardware includes stainless steel nuts, bolts, washers, and allen head set screws
- Support packaged sets not assembled to fenders
- Single fenders do not include support packaged sets
- To assemble a Double Radius Fender, order two Half Tandem Fender bulk kits
- For each Half Tandem Fender bulk kit order a Spray Mate® end mount packaged set and one Spray Master® center mount packaged sets. For each Double Radius Fender order two Spray Mate® end mount packaged sets and one Spray Master® center mount packaged sets.

SPECIFICATIONS

bulk kit part # (2 fenders)	part no. (1-fender)	weight (lbs.) (kg.)	pop. code	description
031-01646/A	034-02198/A	31.60 13.64	A	black half tandem bulk kit (pair)
031-01647/A	034-02198/A	31.60 13.64	A	red half tandem bulk kit (pair)
031-01648/A	034-02198/A	31.60 13.64	A	white half tandem bulk kit (pair)
031-01649/A	034-02198/A	31.60 13.64	A	gray half tandem bulk kit (pair)



SPRAY MASTER® HALF TANDEM AND DOUBLE RADIUS FENDERS WITH SLIDETRAX®

FEATURES

- Easy to install, easy to adjust
- The teeth on the hidden end mount clamp “bite” into the teeth on the fender to acquire a tight grip but are also easily loosened to provide up to 12” of adjustment
- The Hidden Mount clamp is made of a highly durable high density polyethylene with two stainless steel threaded T-nut inserts which won’t strip out when tightened
- Eliminates the need to drill holes in the fender to mount

ORDER DETAILS

- Spray Master® bulk kits include two fenders, one curbside and one roadside, with reflectors already attached
- Single fenders do not include Slidetrax® clamps and hardware
- To assemble a Double Radius Fender, order two Half Tandem Fender bulk kits
- For each Half Tandem Fender bulk kit with Slidetrax®, order one end mount packaged set and one center mount packaged sets. For each Double Radius Fender with Slidetrax® order two end mount packaged sets and one center mount packaged set

SPECIFICATIONS

bulk kit part # (2 fenders)	part no. (1-roadside)	part no. (1-curbside)	weight (lbs.) (kg.)	pop. code	description
031-01639	034-02190	034-02194	30.00 13.64	A	black half tandem bulk kit (pair)
031-01640	034-02191	034-02195	30.00 13.64	A	red half tandem bulk kit (pair)
031-01641	034-02192	034-02196	30.00 13.64	A	white half tandem bulk kit (pair)
031-01642	034-02193	034-02197	30.00 13.64	A	gray half tandem bulk kit (pair)



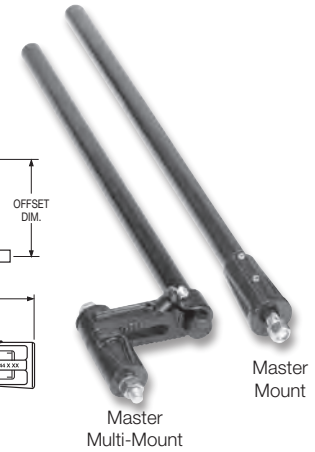
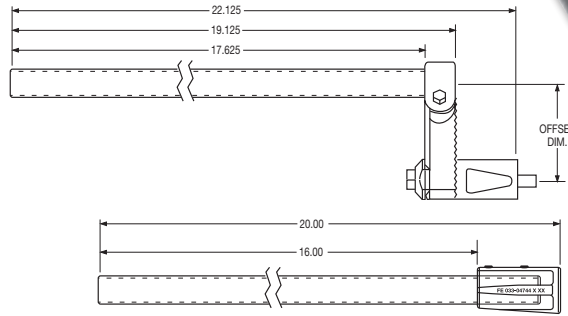
End Mounts for Spray Master® Half Tandem/Double Radius Fenders

APPLICATION

- For use with Spray Master® Half Tandem and Double Radius Fenders **with** SlideTrax®

FEATURES

- Master Mount and Master Multi-Mounts both use heavy-duty castings and come with a 35mm (1-3/8") tube diameter
- The Master Multi-Mount increases offset adjustability an extra 2" to 5" from the centerline of the tube to the centerline of the chassis mounting bolt in quarter inch increments



ORDER DETAILS

- Each End Mount packaged set consists of either 2 Master Mount castings with end caps, 2 black E-coat tubes, and all chassis to mount hardware
- For each Half Tandem Fender bulk kit, order one end mount packaged set and one center mount packaged sets.
- For each Double Radius Fender order two end mount packaged sets and one center mount packaged set

SPECIFICATIONS

part no.	weight (lbs.) (kg.)		pop. code	end mount type
031-01660	11.50	5.25	A	Master Mount packaged set
031-01661	19.50	8.52	A	Master Multi-Mount packaged set - 2.00"-5.00" adjustable offset

Post Style Round End Mount for Spray Master® Half Tandem/Double Radius Fenders

APPLICATION

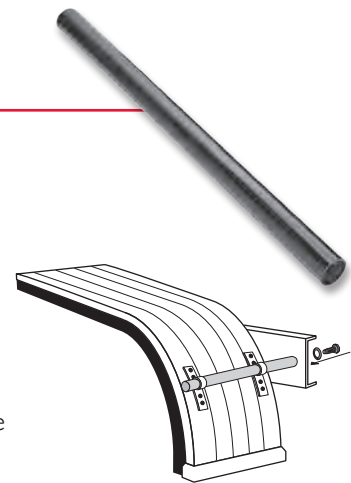
- For use with Spray Master® Half Tandem and Double Radius Fenders **without** SlideTrax®

FEATURES

- Flush mount design results in more bearing surface
- Steel construction with RoadKote® or stainless steel finish
- 30.25" long for added strength and durability

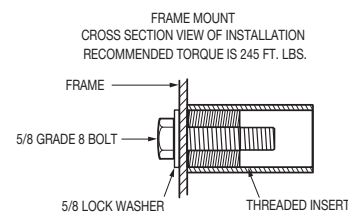
ORDER DETAILS

- Packaged set includes two end mount brackets, end caps*, and bracket-to-chassis hardware
- Requires two end mount packaged sets per pair of fenders



SPECIFICATIONS

part no.	weight (lbs.)	pop. code	description	construction
031-01250	12.98	A	complete with two brackets	RoadKote® (black E-coat)
031-01251	12.98	A	complete with two brackets	stainless steel
034-01660	6.38	A	one bracket	RoadKote® (black E-coat)
034-01661	6.38	A	one bracket	stainless steel
031-01252	.23	A	hardware packaged set	zinc plated steel



SPRAY MASTER® HALF TANDEM / DOUBLE RADIUS FENDERS

Side Style Round End Mount for Spray Master® Half Tandem/Double Radius Fenders

APPLICATION

- For use with Spray Master® Half Tandem and Double Radius Fenders **without** SlideTrax®

FEATURES

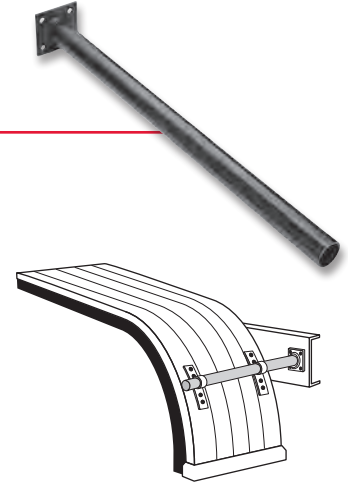
- Steel construction with RoadKote® finish
- 30.25" long for added strength and durability
- Mounting plate is 3.75" x 3.75"

ORDER DETAILS

- Packaged set includes two end mount brackets and end caps*
- Bracket-to-chassis hardware not included

SPECIFICATIONS

part no.	weight (lbs.)	pop. code	description	construction
031-00870	13.98	A	packaged set w/ two brackets	RoadKote® (black E-coat)
032-00253	7.10	A	one bracket	RoadKote® (black E-coat)



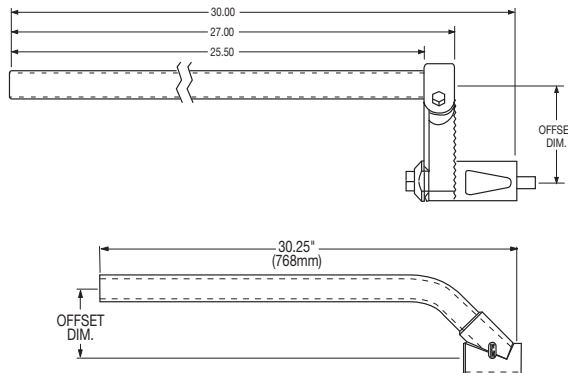
Center Mounts for Spray Master® Half Tandem/Double Radius Fenders

APPLICATION

- For use with **both** Spray Master® Half Tandem/Double Radius fender styles

FEATURES

- The Master Multi-Mount increases offset adjustability an extra 2" to 5" from the centerline of the tube to the centerline of the chassis mounting bolt in quarter inch increments



ORDER DETAILS

- Each Center Mount packaged set consists of either 2 black E-coat offset tubes (5" or 9") or 2 Master Multi-Mount castings with straight black E-coat tubes, 4 center mount connector clamps with hardware, end caps and all chassis to mount hardware
- For each Half Tandem Fender bulk kit, order one end mount packaged set and one center mount packaged sets. For each Double Radius Fender order two end mount packaged sets and one center mount packaged set



SPECIFICATIONS

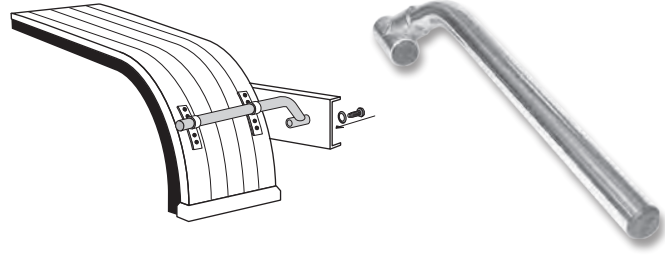
part no.	weight (lbs.) (kg.)	pop. code	center mount type	offset dim.
031-01662	22.00 10.00	A	Master Multi-Mount packaged set - (1.375"/35mm tube)	2.00"-5.00" adjustable
031-01663	16.20 7.36	A	9.00" fixed offset packaged set (1.375"/35mm tube)	9.00" fixed
031-01664	18.10 8.23	A	5.00" fixed offset packaged set (1.875"/47mm tube)	5.00" fixed

*See plastic end cap chart on page 126 for additional information

Offset Mount for Spray Master® Half Tandem/Double Radius Fenders

APPLICATION

- For use with Spray Master® Half Tandem and Double Radius Fenders **without** SlideTrax®
- Positions fender where needed when dealing with limited mounting space

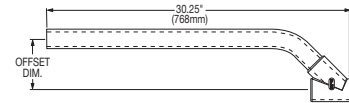


FEATURES

- Steel construction, RoadKote® or stainless steel finish
- 30.00" length
- 5.00" offset between centers of tubes

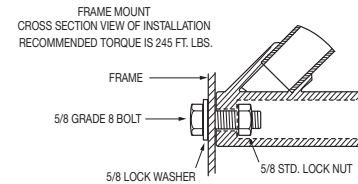
ORDER DETAILS

- Packaged sets include two mounting brackets, end caps* and bracket-to-chassis hardware
- Requires two end mount packaged sets per pair of fenders



SPECIFICATIONS

part no.	weight (lbs.)	pop. code	description	construction
031-00883	15.80	A	packaged set	RoadKote® (black E-coat)
034-01600	7.40	A	one bracket	RoadKote® (black E-coat)
031-00886	16.80	A	packaged set	stainless steel
034-01602	7.90	A	one bracket	stainless steel
031-01201	.27	A	hardware kit	zinc plated steel

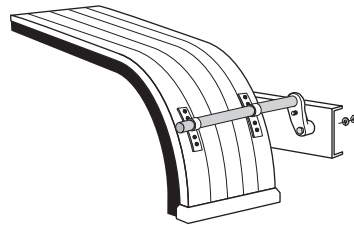


PivotBar® for Spray Master® Half Tandem/Double Radius Fenders



APPLICATION

- For use with Spray Master® Half Tandem and Double Radius Fenders **without** SlideTrax®
- Greatly assists in properly mounting Spray Mates® where needed



FEATURES

- Stout casting with E-coat finish
- Provides an offset of 4.00" and rotates 360°

ORDER DETAILS

- Packaged set includes two stainless steel end mount tubes, two Pivot Bar adapters, two jamming screws, bracket to adapter hardware, adapter to chassis hardware and two end caps*



U.S. Patent #6,471,228
CAN. Patent #2,328,682

SPECIFICATIONS

part no.	weight (lbs.)	pop. code	tube construction	adapter construction
031-00929	18.77	A	stainless steel	E-coat castings

*See plastic end cap chart on page 126 for additional information

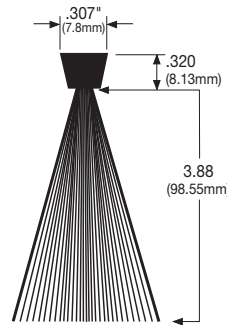
Side Skirting Brush for Spray Master® Half Tandem/Double Radius Fenders

FEATURES

- Skirting is effective in reducing side spray
- Easy to install
- Keeps mirrors and trucks cleaner, improving driver and motorist visibility
- Air flows freely through flexible filament skirting preventing heat build-up on brakes and tires

ORDER DETAILS

- Packaged set includes enough brush for one pair of Spray Master® Half Tandem Fenders (cut in half to apply) and stainless steel hardware
- Order one packaged set for Half Tandem (cut in half before installing)
- Order two packaged set for Double Radius



SPECIFICATIONS

part no.	weight		pop. code
	(lbs.)	(kg.)	
997-70170	2.40	1.09	A

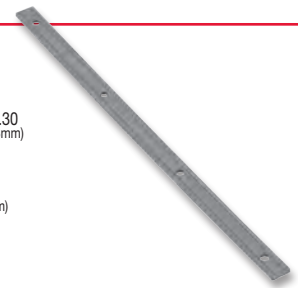
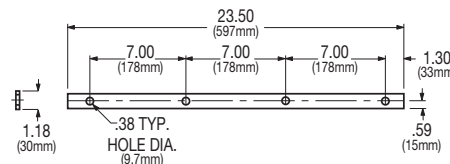
Optional Flap Reinforcing Strap for Spray Master® Half Tandem/Double Radius Fenders

FEATURES

- Four hole pattern matches TTMA specifications
- Can be used to attach mud flap to fender
- Prevents tear out of mud flap holes

ORDER DETAILS

- Part number represents one strap



SPECIFICATIONS

part no.	weight		pop. code	construction
	(lbs.)	(kg.)		
033-04139	.23	.07	A	black molded nylon

*See plastic end cap chart on page 126 for additional information

Spray Master® Polypropylene Full Round Fenders for 19.5" or Smaller Wheel Applications

FEATURES

- Easy to install, easy to adjust
- The teeth on the Slidetrax® Clamp "bite" into the teeth on the Slidetrax® of the fender to acquire a tight grip but are also easily loosened to provide up to 7" of adjustment
- Eliminates the need to drill holes in the fender to mount
- Lightweight polypropylene material is tougher than the polyethylene used in other plastic fenders and superior to vacuum formed fenders
- Injection molded guarantees controlled uniformity and consistency of thickness resulting in a stronger component, unlike rotational molded where consistent thickness is not controlled.
- Four thru colors available - all stabilized with UV additive for fade resistance
- Integrally molded ribs for added strength and spray reduction
- Unaffected by heat and cold—range of -40°F to 150°F (-40°C to 66°C)



SPRAY CONTROL

SPRAY MASTER® FULL ROUND FENDERS

Tire Sizes Compatible with Spray Master® Fenders

Minimum tire diameter is 28" (711mm)
Maximum tire diameter is 32.6" (828mm)

North American truck dual tire sizes

- | | |
|----------------|----------------|
| • 7.50R15 | • 9.50R16.5 |
| • 8.25R15 | • 8.5R17.5 |
| • 7.50R16 | • 10R17.5 |
| • LT215/85R16 | • 215/75R17.5 |
| • LT225/75R16 | • 8R19.5 |
| • LT235/85R16* | • 225/70R19.5 |
| • LT245/75R16* | • 245/70R19.5* |

* Not recommended use with spray suppression brush or skirting

European truck dual tyre sizes

- | | |
|-------------|---------------|
| • 6.70R15 | • 215/75R16 |
| • 205/70R15 | • 225/75R16 |
| • 205/80R15 | • 6.00R16 |
| • 7.00R15 | • 6.50R16 |
| • 7.50R15 | • 7.00R16 |
| • 8.25R15 | • 7.50R16 |
| • 19R400 | • 7R17.5 |
| • 195R16 | • 8R17.5 |
| • 195/75R16 | • 8.5R17.5 |
| • 205R16 | • 205/75R17.5 |
| • 205/75R16 | • 215/75R17.5 |
| • 215R16 | • 225/75R17.5 |

Tube is 35mm tube (1-3/8" diameter).

Choose from two mounting systems in either a RoadKote® or stainless steel finish:

Master Multi-Mount for additional adjustability.

Master Mount

To improve driver and motorist visibility, the optional curved brush significantly reduces spray yet allows air to flow through the flexible filament skirting.

The Slidetrax® Clamps BITE into the Slidetrax® on the fender to secure it in place - yet are easily removable for adjustment.

Reflectors for added safety.

The rib pattern makes the Spray Master® stronger than smooth skin plastic design fenders. Lightweight, high density polypropylene material will never rust or corrode and is available in 4 attractive colors: black, silver/gray, white or red.

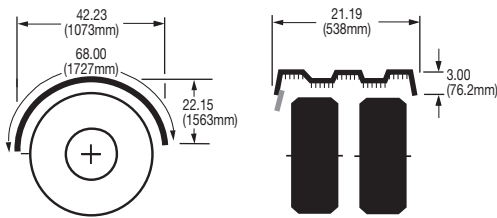
SPRAY MASTER® FULL ROUND FENDERS

ORDER DETAILS

- Requires two end mount packaged sets per pair of fenders
- Does not include Slidetrax® clamps and hardware
- Spray Master® bulk kits include two fenders, 8 Slidetrax clamps, 4 reflectors, 8 stainless steel threaded T-nuts, and 8 stainless steel setscrews

PLEASE NOTE:

- Flap weights are not recommended and may void the warranty.
- Painting Spray Master® fenders **IS NOT** recommended and may void the warranty. If painting is desired, a Flex Agent **MUST** be added to the paint!



U.S. Patent #7384071
CAN. Patent # 2,496,482
AUS. # 2005200596
N. Z. Patent # 566803

SPECIFICATIONS

bulk kit part # (2 fenders)	part no. (1 fender)*	weight (lbs.)	pop. code	color	description	required mounts
031-01539	034-02130	25.30	A	black	full round bulk kit	two end mount sets
031-01540	034-02131	25.30	A	silver/gray	full round bulk kit	two end mount sets
031-01541	034-02132	25.30	A	white	full round bulk kit	two end mount sets
031-01548	034-02139	25.30	A	red	full round bulk kit	two end mount sets

Decorative Strips for Spray Mate® and Spray Master® Full Round Fenders

FEATURES

- Easy to install on fender
- 430 polished stainless steel, .030" thickness

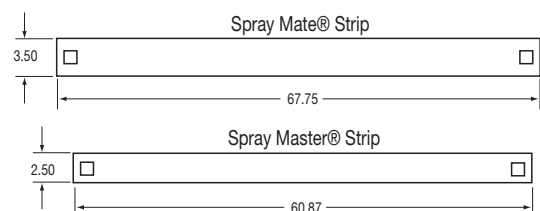
ORDER DETAILS

- Packaged set includes four strips and stainless steel hardware (carriage bolts, nuts and washer)
- Each packaged set is enough to do a pair of fenders



SPECIFICATIONS

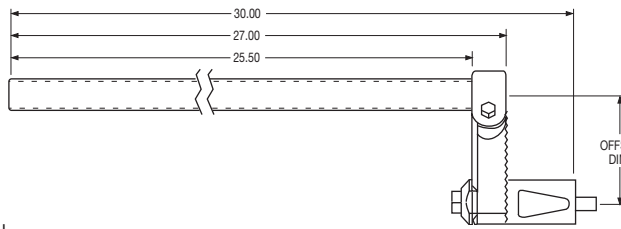
part no.	weight (lbs.)	pop. code	description
031-01653	5.40	A	Spray Master full round
031-01655	8.32	A	Spray Mate full round



Master Multi-Mount for Spray Master® Full Round Fenders

FEATURES

- Increases offset adjustability an extra 2" to 5" from the centerline of the tube to the centerline of the chassis mounting bolt in quarter inch increments
- Heavy-duty casting with 35mm (1-3/8") tube
- Uses a bolt to attach to the chassis - not a stud



ORDER DETAILS

- Packaged set includes 2 Master Multi-Mount castings (6 pieces), 2 tubes, 4 end caps* and chassis to mount hardware including anti-vibration "Nordlock" washers
- Two Master Multi-Mount packaged sets are needed for each Spray Master bulk kit

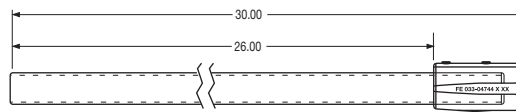
SPECIFICATIONS

part no.	weight (lbs.)	pop. code	finish
031-01284	19.50	A	RoadKote® (black E-coat)
031-01285	19.50	A	stainless steel

Master Mount for Spray Master® Full Round Fenders

FEATURES

- Heavy-duty casting with 35mm (1-3/8") tube
- Uses a bolt to attach to the chassis - not a stud



ORDER DETAILS

- Packaged set includes 2 Master Mount castings, 2 tubes, 2 end caps*, and chassis to mount hardware including anti-vibration "Nordlock" washers
- Two Master Mount packaged sets are needed for each Spray Master® bulk kit

SPECIFICATIONS

part no.	weight (lbs.)	pop. code	finish
031-01282	12.90	A	RoadKote® (black E-coat)
031-01283	12.90	A	stainless steel

*See plastic end cap chart on page 126 for additional information

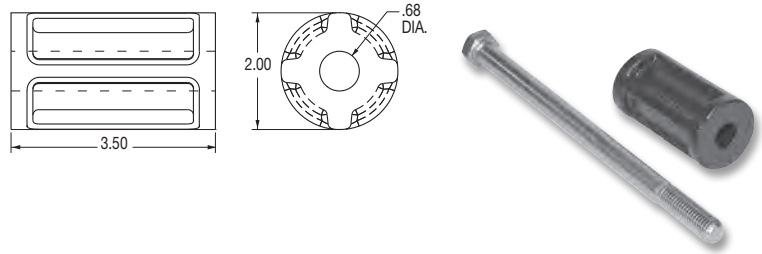
Master Multi-Mount Extension for Spray Master® Full Round Fenders

FEATURES

- Assists installation where suspension and hangers cause a clearance problem

ORDER DETAILS

- Must be used with 031-01284 or 031-01285
- Packaged set includes 2 extension castings and two (2) 5/8"-11 x10.0" grade 8 bolts



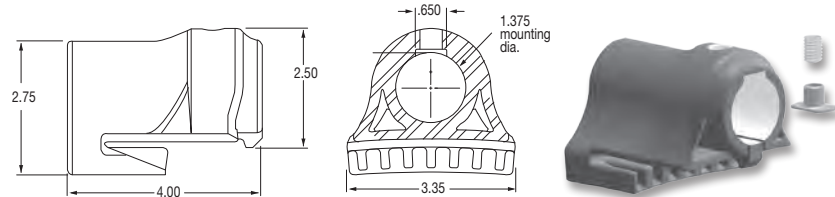
SPECIFICATIONS

part no.	weight (lbs.)	pop. code	casting
031-01299	5.90	A	RoadKote® (black E-coat)

Replacement Slidetrax® for Spray Master® Full Round Fenders

FEATURES

- Secures the Slidetrax® to the Spray Master® fender
- Stainless steel setscrew and T-nut grips the fender and won't strip out when tightened
- Molded from a highly durable 15% glass-filled 6-6 nylon



ORDER DETAILS

- Includes four Slidetrax® clamps and stainless steel hardware consisting of four t-nuts and four setscrews

CAN. Patent #2,496,482;
AUS. Patent # 2005200596;
N.Z. Patent # 566803

SPECIFICATIONS

part no.	weight (lbs.)	pop. code
031-01293	2.61	A

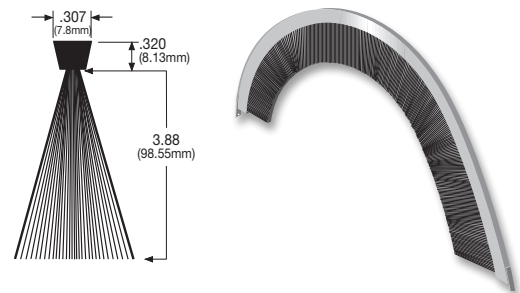
Optional Curved Brush for Spray Master® Full Round Fenders

FEATURES

- Significant spray reduction improves both driver and motorist visibility
- Air flows through flexible filament skirting,
- Reduces spray to keep vehicles cleaner
- Improved tab design on both ends make installation much easier

ORDER DETAILS

- Packaged set includes two curved brushes and zinc self-taping screws with special protective coating



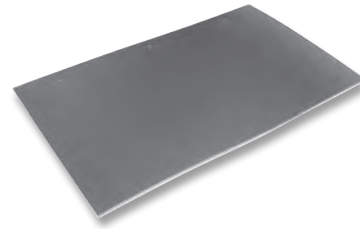
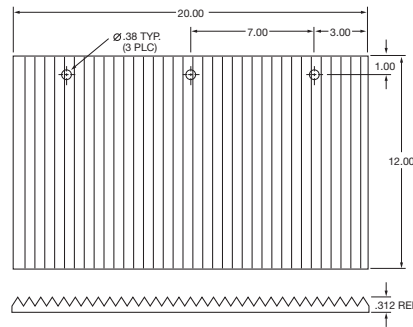
SPECIFICATIONS

part no.	weight (lbs.)	pop. code	construction	hardware
031-01537	3.50	A	black molded nylon with stainless steel retainer	stainless steel

Mud Flap for Spray Master® Full Round Fenders

FEATURES

- 20"x12" black anti-spray flap



SPECIFICATIONS

part no.	weight (lbs.)	pop. code
033-02254	1.80	A

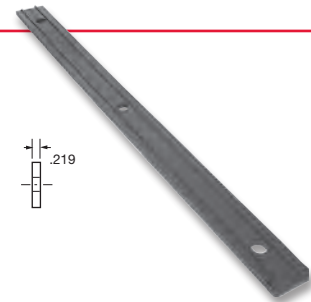
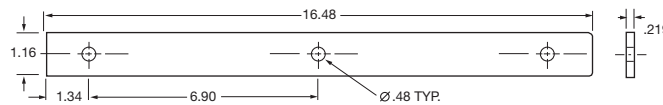
Optional Mud Flap Reinforcing Strap for Spray Master® Full Round Fenders

FEATURES

- Can be used to attach mud flap to fender
- Prevents tear out of mud flap holes

ORDER DETAILS

- Part number represents one strap



SPECIFICATIONS

part no.	weight (lbs.)	pop. code	construction
033-04755	.16	A	black molded nylon

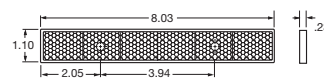
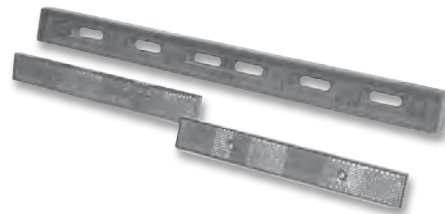
Optional Reflectors and Holders for Spray Master® Full Round Fenders

FEATURES

- Holders are made of strong black plastic construction with tabs to hold reflectors firmly in place
- Meets DOT-C Conspicuity law

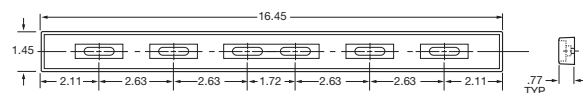
ORDER DETAILS

- Enough for one pair of Spray Master® fenders
- Packaged set includes two 16" long reflector holders, four red reflectors and stainless steel hardware consisting of six bolts, six nuts, six square washers, and six round washers



SPECIFICATIONS

part no.	weight (lbs.)	pop. code
031-01112	1.02	A



Black Plastic End Cap Application Chart

FEATURES

- Gives mounts, fenders, and mud flap brackets a finished appearance
- Triple fin design - won't come out
- Black polypropylene construction

ORDER DETAILS

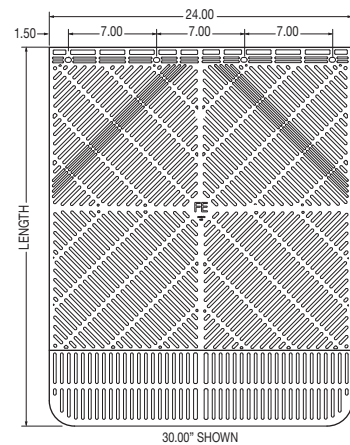
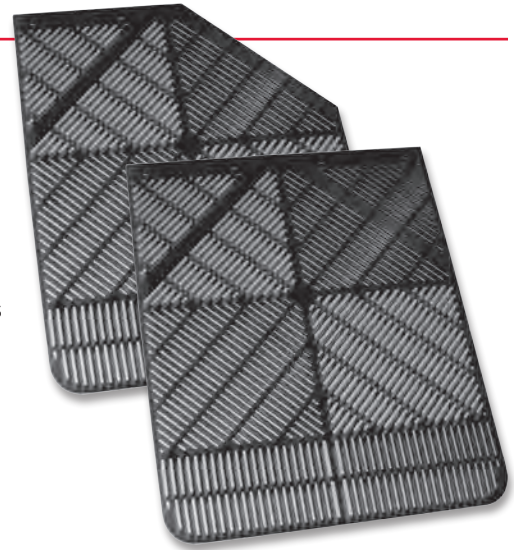
- Package sets include two end caps and, if applicable, reflectors

packaged set part no.	Application - to be used with what product	cap design	O.D. tube size	shape	reflectors	
031-01277	<ul style="list-style-type: none"> • Air Slipper® Quarter Fender (painted) • Low mount Std. quarter fenders, both stainless and aluminum • Spray Mate® offset stainless mount at frame connection • Spray Mate® offset roadKote mount at frame connection • Standard duty fender end mount support tube (031-00095) • FB-27 RoadKote® models 	triple fin	2.00"	round	no	
031-01278	<ul style="list-style-type: none"> • Standard quarter fender line - all finishes • Low mount Std. plastic quarter fender 	triple fin	2.09" x 1.75"	flattened	no	
031-01211	<ul style="list-style-type: none"> • Traditional tandem fender mounts with round tubes • Spray Mate® mounts, at end of tube only • Heavy-duty mounts • X-FLEX® Multi-Mount U and TR • Pivot Bar® bulk kit 	triple fin	1.87"	round	no	
031-01225	<ul style="list-style-type: none"> • Traditional tandem fender mounts with flattened tubes 	triple fin	2.00" x 1.65"	flattened	no	
031-01502	<ul style="list-style-type: none"> • HELLCAT® stainless steel models 	clip-in tabs	-	round top flat sides and tabs	yes	
031-01269	<ul style="list-style-type: none"> • FB-27 product line, both RoadKote® and stainless 	bolt tab	2.00"	round w/ bolt tab	yes	
031-01281	<ul style="list-style-type: none"> • Master Mount line for Spray Master® fenders 	triple fin	1.38"	round	no	

AeroFlap® Aerodynamic Mud Flap

FEATURES

- AeroFlap's® unique pattern channels airflow in different, complimentary directions which saves fuel by reducing drag. A pair of aerodynamic mudflaps can decrease fuel consumption by .5 - 1%
- AeroFlap® reduces spray by not atomizing or "smashing" water droplets, creating a safer environment for everyone on the road
- Eliminates the need for anti-sail brackets due to the way air is channeled and breaks up the trailing air vortex
- Reduces maintenance costs by venting excess heat around tires and brakes
- AeroFlap's® polypropylene material is uniquely designed to withstand colder temperatures - successfully tested to -30°F
- AeroFlap® is the only aerodynamic mudflap designed for use with angled shortie brackets. Traditional flaps must be cut in places not intended for new mounting holes which causes their flaps to tear away
- Stacks neatly and nests on shipping skids, ensuring that the product stacks, stores, and ships without headache
- Works in Synergy with U.S. EPA's Smartway Program for truck/trailer aerodynamics



ORDER DETAILS

- AeroFlap® is available in black or white
- Available in 24", 30", and 36" heights
- Part number represents 1 flap

SPECIFICATIONS

part no. - black	part no. - white	weight (lbs.)	pop. code	width	length
033-08001	033-08007	4.00	A	24.00"	24.00"
033-08002	033-08009	4.50	A	24.00"	30.00"
033-08004	033-08011	5.10	A	24.00"	36.00"

Patriotic Mud Flap

FEATURES

- Mylar hot stamping process assures long life of lettering and trademarks
- Four slotted holes conform to TMC specifications
- Stays cleaner longer and are resistant to road chemicals, grease, oil, fuel, and salt

ORDER DETAILS

- Part number represents one pair of flaps (bulk kit)



SPECIFICATIONS

part no.	weight (lbs.)	pop. code	width	length	description
031-00653-20	6.64	B	24.00"	24.00"	flap kit - flag and lettering
031-00653-21	6.64	B	24.00"	24.00"	flap kit - flag only
031-00654-116	8.29	B	24.00"	30.00"	flap kit - flag and lettering
031-00654-117	8.29	B	24.00"	30.00"	flap kit - flag only
031-00655-33	9.96	B	24.00"	36.00"	flap kit - flag and lettering
031-00655-34	9.96	B	24.00"	36.00"	flap kit - flag only

Hellcat® Mud Flaps

FEATURES

- A sharp looking mud flap to compliment an attractive mud flap bracket
- Mylar hot stamping process assures long life of Hellcat® logo

ORDER DETAILS

- Part numbers represents one pair (bulk kit)

SPECIFICATIONS

part no.	wt. (lbs.)	code	width (in.)	length (in.)	thickness (in.)	flap color
031-00656-9	6.64	pop. A	24.00"	24.00"	.1875"	black
031-00657-34	8.29	A	24.00"	30.00"	.1875"	black
031-00658-14	9.96	A	24.00"	36.00"	.1875"	black



3/16" Poly Mud Flaps

FEATURES

- Formulated and blended with a unique compound of elastomers for greater resistance to cold weather cracking and tearing
- Stays cleaner longer and are resistant to road chemicals, grease, oil, fuel, and salt
- Four slotted holes conform to TMC specifications

ORDER DETAILS

- Special sizes available upon request
- Part number represents one pair of flaps (bulk kit)

SPECIFICATIONS

part no.	weight (lbs.)	pop. code	width	length	color
031-00635	6.64	A	24.00"	24.00"	white
031-00636	8.29	A	24.00"	30.00"	white
031-00637	9.96	A	24.00"	36.00"	white
031-00638	6.64	A	24.00"	24.00"	black
031-00639	8.29	A	24.00"	30.00"	black
031-00640	9.96	A	24.00"	36.00"	black



5/16" Anti-Spray Poly Mud Flaps

FEATURES

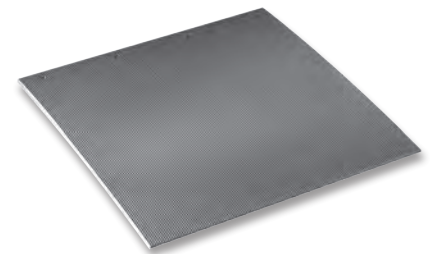
- Formulated and blended with a unique compound of elastomers for greater cold weather resistance to cracking and tearing
- Four slotted holes conform to TMC specifications
- A straight ribbed pattern channels water downward to reduce road spray
- Reduces ice and snow build-up and stays effective longer

ORDER DETAILS

- Part number represents one pair of flaps (bulk kit)

SPECIFICATIONS

part no.	weight (lbs.)	pop. code	width	length	color
031-00677	8.80	A	24.00"	24.00"	white
031-00678	10.80	A	24.00"	30.00"	white
031-00679	12.80	A	24.00"	36.00"	white
031-00680	8.80	A	24.00"	24.00"	black
031-00681	10.80	A	24.00"	30.00"	black
031-00682	12.80	A	24.00"	36.00"	black



3/16" and 5/16" Custom Poly Mud Flaps

FEATURES

- Hot stamped with your name, logo, trademark, etc.
- Hot stamp available with OEM logo only through respective dealers
- Mylar hot stamping process assures long life of lettering and trademarks
- Four slotted holes conform to TMC specifications
- Imprinted message available in many standard foil colors
- Up to three lines of 2.00", 3.00", or 4.00" height straight block lettering available



ORDER DETAILS

- Part number represents one pair of flaps (bulk kit)

SPECIFICATIONS FOR 3/16" CUSTOM MUD FLAPS

part no.	weight (lbs.)	pop. code	thickness (in.)	width	length	color
031-00653-	6.64	B	3/16"	24.00"	24.00"	white
031-00654-	8.29	B	3/16"	24.00"	30.00"	white
031-00655-	9.96	B	3/16"	24.00"	36.00"	white
031-00656-	6.64	B	3/16"	24.00"	24.00"	black
031-00657-	8.29	B	3/16"	24.00"	30.00"	black
031-00658-	9.96	B	3/16"	24.00"	36.00"	black

SPECIFICATIONS FOR 5/16" ANTI-SPRAY CUSTOM MUD FLAPS

part no.	weight (lbs.)	pop. code	thickness (in.)	width	length	color
031-00695-	8.80	B	5/16"	24.00"	24.00"	white
031-00696-	10.80	B	5/16"	24.00"	30.00"	white
031-00697-	12.80	B	5/16"	24.00"	36.00"	white
031-00698-	8.80	B	5/16"	24.00"	24.00"	black
031-00699-	10.80	B	5/16"	24.00"	30.00"	black
031-00700-	12.80	B	5/16"	24.00"	36.00"	black

How to Order Custom Mud Flaps (Distributors/Dealers)

- Please furnish clean black and white artwork, a business card, or other printed material that clearly shows logo and the colors you want reproduced
- Create a rough sketch using flap grid diagram to indicate placement of art, lettering, and/or logo
- All art, lettering and/or logos must fit into 18.00" x 18.00" imprint area
- Please print your custom lettering message clearly
- Initial minimum order is 50 pairs, repeat minimum order is 25 pairs

Initial Custom Order Set-Up Charges

- Fifty pair minimum, a one-time set-up charge for custom lettering, logos, and artwork
- Normally, one imprint plate is used for each color
- Additional plates may be necessary for large images

part no. 031-AC001 First plate

part no. 031-AC002 Second plate

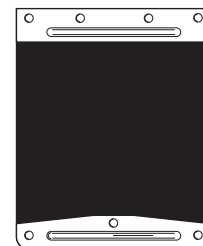
part no. 031-AC003 Third plate

- The first imprint plate is free on orders of 200 pairs or more
- Consult price list for plate charge

Standard Foil Colors

Color	Standard P.M.S. Equivalent
Black	3-2X
Medium Blue	293
Medium Brown	471-2X
Green	354-2X
Grey	429
Orange	021
Red	032
Red/Orange	172
White	
Yellow	108

When using stainless steel flap plate kits (page 56), allow 4.50" from bottom for artwork and/or logo.



Custom Mud Flap Order Form

Quantity: _____ Size: _____

Name: _____

Part Number: _____

Street Address: _____

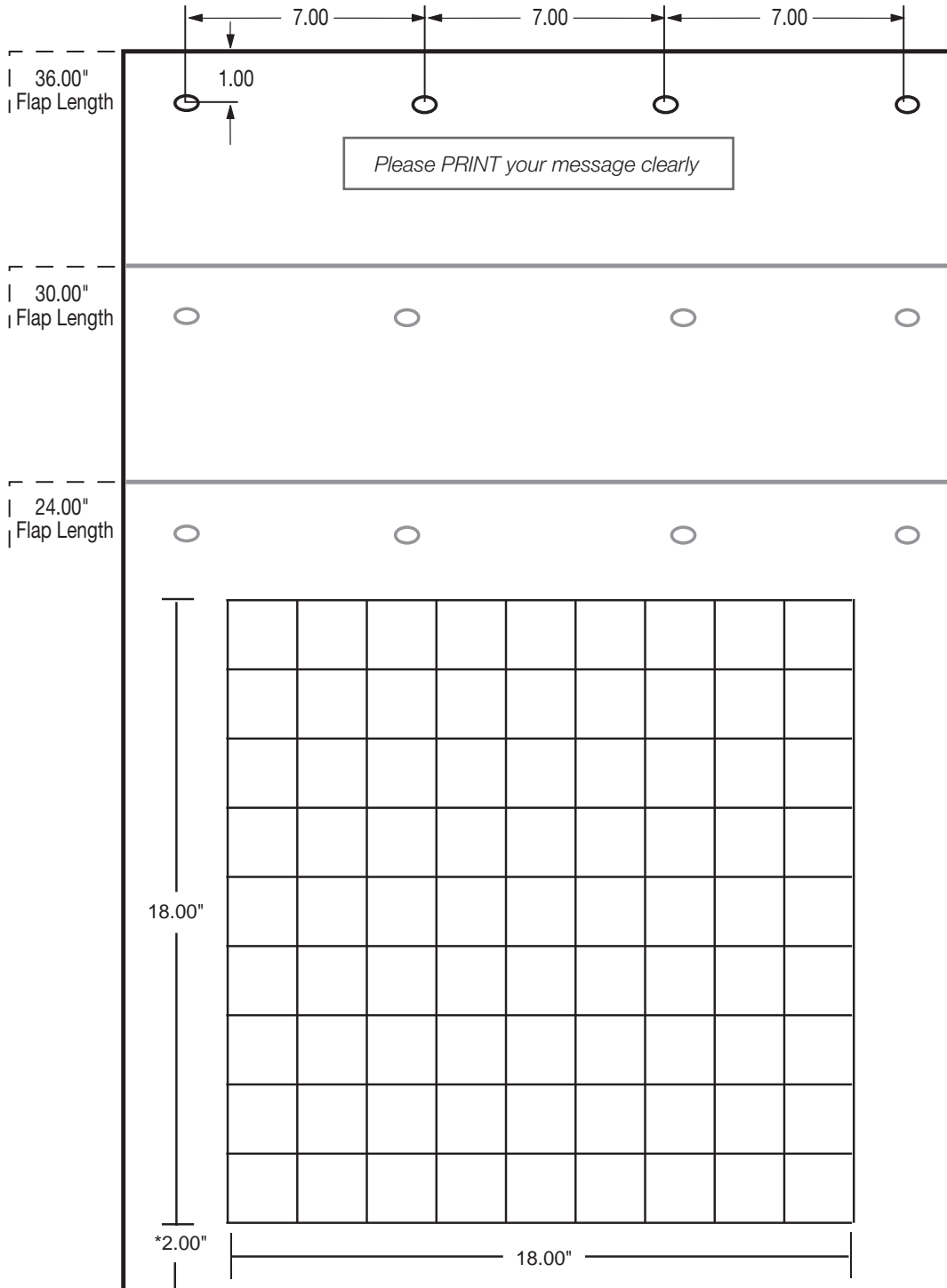
Description: _____

City: _____ State: _____ Zip: _____

Authorized Signature: _____

Email: _____

Purchase Order No.: _____



SPRAY CONTROL
MUD FLAP ORDER FORM



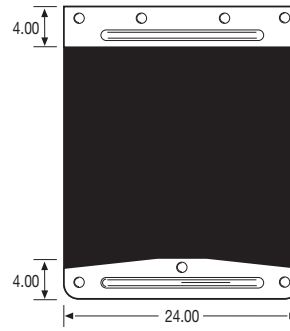
Mirror Finish Stainless Steel Flap Plate

FEATURES

- Mirror finish stainless steel plates, will never rust
- Embossed for added strength and improved appearance
- Pre-punched square holes for use with carriage bolts
- No studs to break off
- .046" thick

ORDER DETAILS

- Packaged set includes stainless steel hardware consisting of carriage bolts, nuts, and washers



SPECIFICATIONS

part no.	weight (lbs.)	pop. code	description
033-00319	3.20	B	two upper flap plates with stainless steel mounting hardware
033-00297	3.00	B	two lower flap plates with stainless steel mounting hardware
031-00170	5.50	B	two upper and two lower flap plates with stainless steel mounting hardware

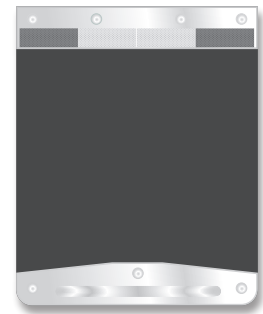
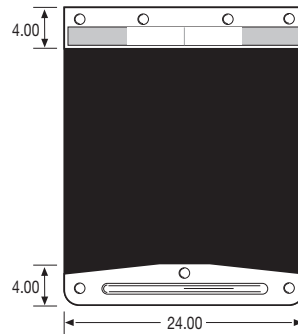
Upper Flap Plate with Reflective Tape

FEATURES

- Mirror finish stainless steel plates with reflective tape attached
- Meets all requirements of the conspicuity law
- Pre-punched square holes for use with carriage bolts
- No studs to break off

ORDER DETAILS

- Packaged set includes stainless steel hardware consisting of carriage bolts, nuts, and washers



SPECIFICATIONS

part no.	weight (lbs.)	pop. code	description
031-01584	3.20	B	two stainless steel upper plates w/ tape and stainless steel mounting hardware

Stainless Steel or Zinc Hardware

FEATURES

- Attaches mud flaps to any type of mud flap brackets
- Stainless steel hardware won't leave rust streaks on mud flaps
- Great P.O.P. display

ORDER DETAILS

- Sets consists of eight bolts (5/16" x 1.25 lg), eight nuts (5/16") and sixteen washers (5/16"), enough for one pair of mud flaps

SPECIFICATIONS

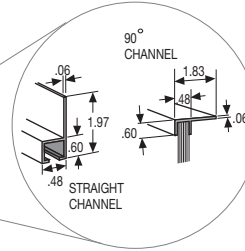
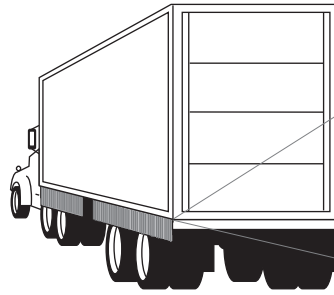
part no.	weight (lbs.)	pop. code	description	construction
031-01200	.72	A	packaged set	stainless steel
031-01298	.72	A	packaged set	zinc



Spray Suppression Skirting

FEATURES

- Air flows freely through the flexible filament
- Brush reduces spray to keep vehicles cleaner
- Significant spray reduction improves both driver and motorist visibility



ORDER DETAILS

- Each skirting packaged set comes in 8.00' sections with two spray suppression brushes (6.00", 9.00", or 12.00" length) and two aluminum channels (90° or straight mount)
- Special corrugated packaging allows parcel shipment of one to two kits per package

SPECIFICATIONS

part no.	weight (lbs.)	pop. code	description	brush length (in.)	channel
031-00716	11.80	A	packaged set	6.00	90°
031-00717	13.24	A	packaged set	9.00	90°
031-00718	14.68	A	packaged set	12.00	90°
031-00719	11.80	A	packaged set	6.00	straight
031-00720	13.24	A	packaged set	9.00	straight
031-00721	14.68	A	packaged set	12.00	straight
032-00337	1.56	A	channel only	na	straight
032-00338	1.67	A	channel only	na	90 degree
032-00340	2.92	A	brush only	6.00	na
032-00341	3.23	A	brush only	9.00	na
032-00342	3.95	A	brush only	12.00	na

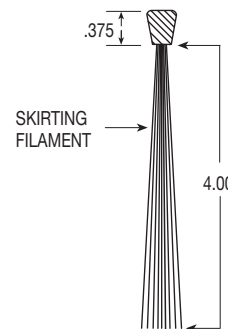
Side Skirting Filament

FEATURES

- .375" mounting area for versatile application

ORDER DETAILS

- When ordering, specify number of feet desired.



SPECIFICATIONS

part no.	weight per foot (lbs.)	pop. code	description
997-70174	.38	C	skirting filament brush only

Bar Type Mud Flap Brackets

FEATURES

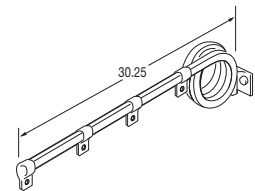
- Square spring steel
- Black primer finish
- Arms available separately

ORDER DETAILS

- Contact our sales department regarding any application questions
- Packaged sets include two arms, standard regular or standard end cast mounting sockets, and all mounting hardware (bracket to chassis and mud flap to bracket)

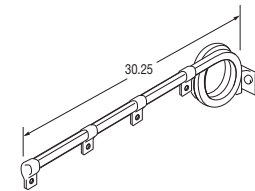
SQUARE TRIPLE COIL BRACKET SPECIFICATIONS

part no.	wt. (lbs.)	pop. code	description	size (in.)	mounts	application	reference
031-00123	19.10	A	complete packaged set	.63	standard	standard-duty	
031-00143	19.20	A	complete packaged set	.63	end	standard-duty	
034-00429	7.80	A	one left (roadside) arm	.63		standard-duty	A23L
034-00430	7.80	A	one right (curbside) arm	.63		standard-duty	A23R
031-00101	26.10	A	complete packaged set	.75	standard	heavy-duty	
031-00111	26.32	A	complete packaged set	.75	end	heavy-duty	
034-00676	11.27	A	one left (roadside) arm	.75		heavy-duty	
034-00677	11.27	A	one right (curbside) arm	.75		heavy-duty	



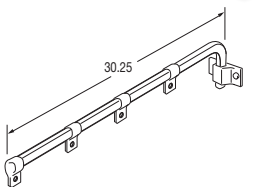
SQUARE DOUBLE COIL BRACKET SPECIFICATIONS

part no.	wt. (lbs.)	pop. code	description	size (in.)	mounts	application	reference
031-00130	16.50	A	complete packaged set	.63	standard	standard-duty	
034-00628	6.80	A	one left (roadside) arm	.63		standard-duty	
034-00629	6.80	A	one right (curbside) arm	.63		standard-duty	
031-00108	22.90	A	complete packaged set	.75	standard	heavy-duty	B83
034-00636	9.60	A	one left (roadside) arm	.75		heavy-duty	A83L
034-00637	9.60	A	one right (curbside) arm	.75		heavy-duty	A83R



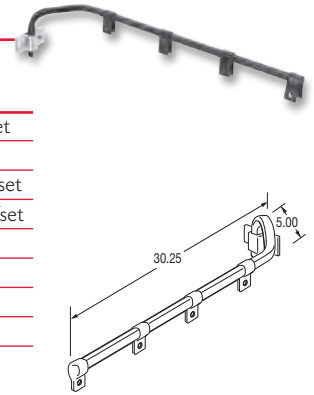
RIGHT ANGLE BRACKET SPECIFICATIONS

part no.	wt. (lbs.)	pop. code	description	size (in.)	mounts	application	reference
031-00125	12.80	A	complete packaged set	.63	standard	standard-duty	B25
031-00145	12.40	A	complete packaged set	.63	end	standard-duty	
034-00426	4.50	A	one arm	.63		standard-duty	A25
031-00102	16.10	A	complete packaged set	.75	standard	heavy-duty	B82
031-00112	16.38	A	complete packaged set	.75	end	heavy-duty	
034-00679	6.30	A	one arm	.75		heavy-duty	A82



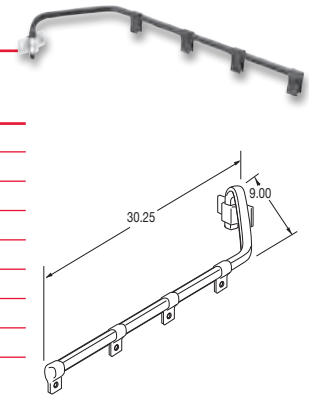
5.00" OFFSET BRACKET SPECIFICATIONS

part no.	wt. (lbs.)	pop. code	description	size (in.)	mounts	application	reference
031-00129	13.20	A	complete packaged set	.63	standard	standard-duty	B29, 5.50" offset
031-00149	13.00	A	complete packaged set	.63	end	standard-duty	
034-00427	4.90	A	one left (roadside) arm	.63		standard-duty	A29L, 5.50" offset
034-00428	4.90	A	one right (curbside) arm	.63		standard-duty	A29R, 5.50" offset
031-00103	17.00	B	complete packaged set	.75	standard	heavy-duty	
031-00113	17.16	B	complete packaged set	.75	end	heavy-duty	
034-00682	6.60	B	one left (roadside) arm	.75		heavy-duty	
034-00683	6.60	B	one right (curbside) arm	.75		heavy-duty	



9.00" OFFSET BRACKET SPECIFICATIONS

part no.	wt. (lbs.)	pop. code	description	size (in.)	mounts	application	reference
031-00147	13.70	B	complete packaged set	.63	standard	standard-duty	B69
031-00157	14.62	B	complete packaged set	.63	end	standard-duty	
034-00642	5.00	B	one left (roadside) arm	.63		standard-duty	A69L
034-00643	5.00	B	one right (curbside) arm	.63		standard-duty	A69R
031-00089	18.60	C	complete packaged set	.75	standard	heavy-duty	
031-00099	18.70	C	complete packaged set	.75	end	heavy-duty	
034-00644	7.50	C	one left (roadside) arm	.75		heavy-duty	
034-00645	7.50	C	one right (curbside) arm	.75		heavy-duty	



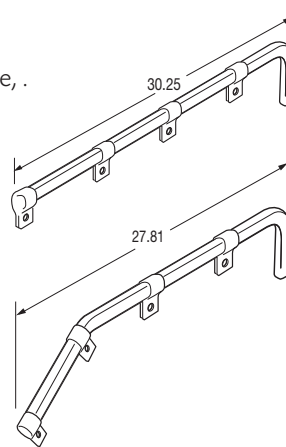
Standard or Shortie Point-of-Purchase Barrel

FEATURES

- Standard barrel includes 50, right angle, .63" mud flap bracket arms
- Shortie barrel includes 40, Shortie right angle, .63" mud flap bracket arms
- Arms available separately

ORDER DETAILS

- Contact our sales department regarding any application questions



SPECIFICATIONS

part no.	weight (lbs.)	pop. code	description
031-00050	236.00	A	Standard P.O.P. Barrel and bracket arms
034-00426	4.50	A	Standard .63" right angle bracket arm
031-00049	189.00	A	Shortie P.O.P. Barrel and bracket arms
034-00433	4.50	A	Shortie .63" Shortie right angle bracket arm



Shortie Bar Type Mud Flap Brackets

FEATURES

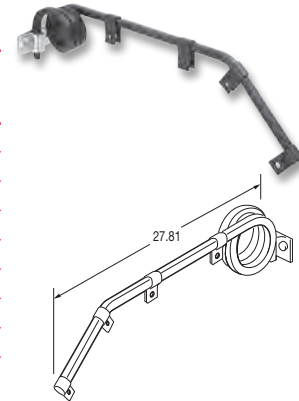
- Square spring steel
- Black primer finish
- Arms available separately

ORDER DETAILS

- Contact our sales department regarding any application questions
- Packaged sets include two arms, standard regular or standard end cast mounting sockets, and all mounting hardware (bracket to chassis and mud flap to bracket)

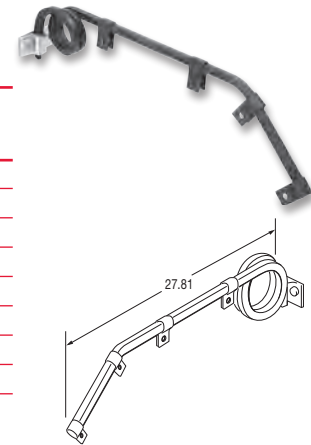
SHORTIE SQUARE TRIPLE COIL BRACKET SPECIFICATIONS

part no.	weight (lbs.)	pop. code	description	bar size (in.)	mounts	application	cross reference
031-00133	19.70	A	complete packaged set	.63	standard	standard-duty	B33
031-00153	19.75	A	complete packaged set	.63	end	standard-duty	
034-00436	7.80	A	one left (roadside) arm	.63		standard-duty	A33L
034-00437	7.80	A	one right (curbside) arm	.63		standard-duty	A33R
031-00104	26.30	A	complete packaged set	.75	standard	heavy-duty	
031-00114	26.25	A	complete packaged set	.75	end	heavy-duty	
034-00672	11.20	A	one left (roadside) arm	.75		heavy-duty	
034-00673	11.20	A	one right (curbside) arm	.75		heavy-duty	



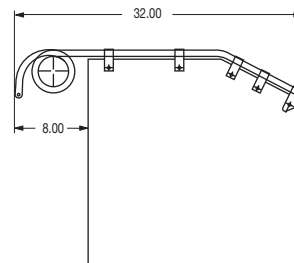
SHORTIE SQUARE DOUBLE COIL BRACKET SPECIFICATIONS

part no.	weight (lbs.)	pop. code	description	bar size (in.)	mounts	application	cross reference
031-00136	17.20	B	complete packaged set	.63	standard	standard-duty	
031-00146	18.20	B	complete packaged set	.63	end	standard-duty	
034-00660	6.70	B	one left (roadside) arm	.63		standard-duty	
034-00661	6.70	B	one right (curbside) arm	.63		standard-duty	
031-00110	23.00	B	complete packaged set	.75	standard	heavy-duty	B84
031-00120	23.10	B	complete packaged set	.75	end	heavy-duty	
034-00668	9.50	B	one left (roadside) arm	.75		heavy-duty	A84L
034-00669	9.50	B	one right (curbside) arm	.75		heavy-duty	A84R



SHORTIE SQUARE DOUBLE COIL BRACKET (EXTRA-LONG)

- .75" bar size
- Longer length provides complete mud flap containment
- Special end bracket clip to reduce flap breakage

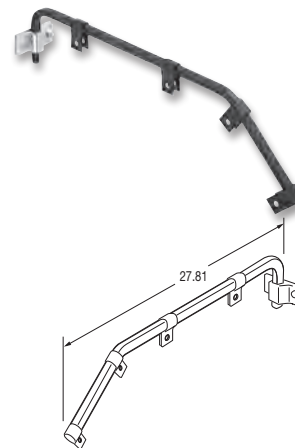


SPECIFICATIONS

part no.	weight (lbs.)	pop. code	description	bar size (in.)	mounts	application	cross reference
031-00553	23.75	C	packaged set	.75	standard	heavy-duty	B87
034-00877	10.25	C	one left (roadside) arm	.75	standard	heavy-duty	A87L
034-00878	10.25	C	one right (curbside) arm	.75	standard	heavy-duty	A87R

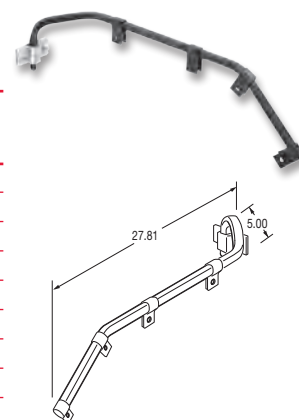
SHORTIE RIGHT ANGLE BRACKET SPECIFICATIONS

part no.	weight (lbs.)	pop. code	description	bar size (in.)	mounts	application	cross reference
031-00135	12.80	A	complete packaged set	.63	standard	standard-duty	B35
031-00155	13.20	A	complete packaged set	.63	end	standard-duty	
034-00433	4.50	A	one arm	.63		standard-duty	A35
031-00105	16.62	A	complete packaged set	.75	standard	heavy-duty	B81
031-00115	17.48	A	complete packaged set	.75	end	heavy-duty	
034-00685	6.30	A	one arm	.75		heavy-duty	A81



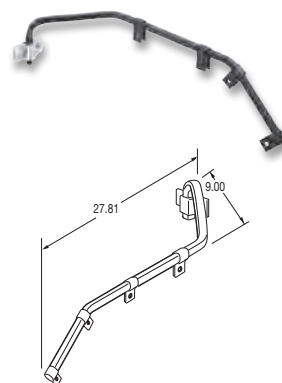
SHORTIE 5.00" OFFSET BRACKET SPECIFICATIONS

part no.	weight (lbs.)	pop. code	description	bar size (in.)	mounts	application	cross reference
031-00139	13.50	A	complete packaged set	.63	standard	standard-duty	B39
031-00159	13.00	A	complete packaged set	.63	end	standard-duty	
034-00434	4.90	A	one left (roadside) arm	.63		standard-duty	A39L
034-00435	4.90	A	one right (curbside) arm	.63		standard-duty	A39R
031-00106	17.21	B	complete packaged set	.75	standard	heavy-duty	
031-00116	18.30	B	complete packaged set	.75	end	heavy-duty	
034-00688	6.60	B	one left (roadside) arm	.75		heavy-duty	
034-00689	6.60	B	one right (curbside) arm	.75		heavy-duty	



SHORTIE 9.00" OFFSET BRACKET SPECIFICATIONS

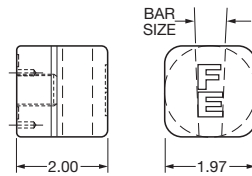
part no.	weight (lbs.)	pop. code	description	bar size (in.)	mounts	application	cross reference
031-00150	13.80	B	complete packaged set	.63	standard	standard-duty	B79
031-00160	15.40	B	complete packaged set	.63	end	standard-duty	
034-00650	5.00	B	one left (roadside) arm	.63		standard-duty	A79L
034-00651	5.00	B	one right (curbside) arm	.63		standard-duty	A79R



Cast Single Bolt Mount

FEATURES

- Takes up less space on truck frame
- Steel construction
- Three steel pins ensure socket will not move
- Can be used with PivotBar® to offset a bar stock bracket



U.S. Patent #6,484,984B2
CAN. Patent #2, 328,683

ORDER DETAILS

- Packaged set includes two mounting sockets, two 5/8" bolts, and lock washers

SPECIFICATIONS

part no.	weight (lbs.)	pop. code	bar size (in.)	finish
031-01589	3.60	A	.63	E-coat

Standard Cast Vertical Mount

APPLICATION

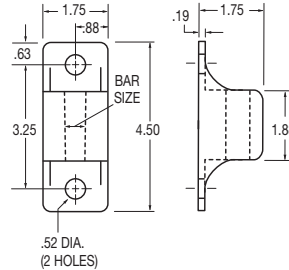
- Allows for relocation of brackets from one vehicle to another

FEATURES

- Steel construction with black primed finish

ORDER DETAILS

- Packaged sets include two mounting sockets and all necessary hardware



SPECIFICATIONS

part no.	weight (lbs.)	pop. code	bar size (in.)	cross reference
031-00891	3.69	A	.63	K 650
031-00892	4.21	A	.75	K 850

Standard "Regular" Cast Mount

APPLICATION

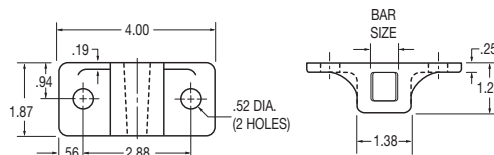
- Allows for relocation of brackets from one vehicle to another

FEATURES

- Steel construction with black primed finish

ORDER DETAILS

- Packaged sets include two mounting sockets and all necessary hardware



SPECIFICATIONS

part no.	weight (lbs.)	pop. code	bar size (in.)	cross reference
031-00896	2.39	A	.63	K 1732
031-00897	2.33	A	.75	K 700

Standard "Narrow" Cast Mount

APPLICATION

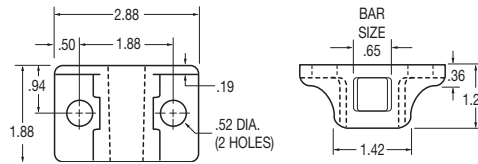
- Allows for relocation of brackets from one vehicle to another

FEATURES

- Steel construction with black primed finish

ORDER DETAILS

- Packaged sets include two mounting sockets and all necessary hardware



SPECIFICATIONS

part no.	weight (lbs.)	pop. code	bar size (in.)	cross reference
031-00899	1.93	A	.63	K 711

Cast End Mount

APPLICATION

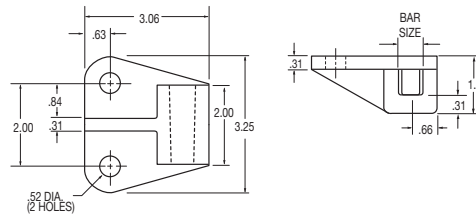
- Allows for relocation of brackets from one vehicle to another

FEATURES

- Steel construction with black primed finish

ORDER DETAILS

- Packaged sets include two mounting sockets and all necessary hardware



Roadside shown
(LEFT HAND)

SPECIFICATIONS

part no.	weight (lbs.)	pop. code	bar size (in.)	cross reference
031-00893	3.23	A	.63	B 600
031-00894	3.11	A	.75	B 750

Everything You Need To Know About **Spring Loaded Mud Flap Brackets**

DEFINITION: A mud flap bracket assembly whose major components are a tube, spring and frame seat or mount, and an optional end cap.

The **tube** is the primary component that holds the mud flap and spring. All tubes have a mounting plate welded on one end.

The **spring** holds the tube to the frame seat or mount and allows the bracket to absorb vibrations and move out of the way on impact.

The **frame seat** (also known on some models as the end plate) is the component between the bracket tube and the truck frame and attaches to the truck frame. It also holds the tube and spring in place for mounting and removing.

There are three frame seat mounting designs: **Internal Frame Mount**, **Frame Seat with Internal Locator** and the **Self-Centering Frame Seat**.

The **Internal Frame Mount** does not have a true frame seat as it is recessed into the bracket tube mounting plate which can cause several problems.

- The bracket tube can "hang-up" and be out of position
- Does not protect the truck frame - direct tube contact causes wear on the frame
- The bracket spring **MUST** be held in place by a keeper bar for mounting and removing
- If the keeper bar is **NOT** in place when removing the bracket, the sudden release of the spring may cause serious personal injury
- Depending on the manufacturer, springs are loaded up to 800 lbs.

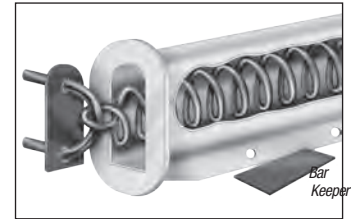
The **Frame Seat With Internal Locator**, is a true frame seat but with an internal locator.

- Protects the truck frame
- The bracket tube can "hang-up" and get out of position
- Keeps the bracket together which makes for easier and safer mounting and removal - no keeper bar to worry about

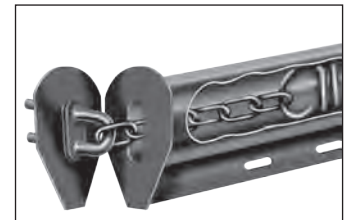
The third type of frame seat is the **Self-Centering Frame Seat**, a patented design that is a true frame seat with many special features.

- Will never "hang-up" - ALWAYS snaps into the correct position - 100% of the time.
- Protects the truck frame - no contact from the tube to the frame
- Keeps the bracket together which makes for easier and safer mounting and removal - no keeper bar to worry about

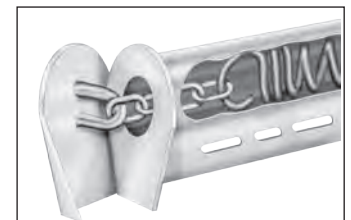
All **Fleet Engineers FB-27** brackets and **Hellcat** brackets have patented self-centering frame seats - the only brackets in the industry to do so. Quite often, manufacturers of the other two frame seat designs consider theirs to be self-centering but they do not perform correctly 100% of the time like the self-centering brackets. And most other brackets leave off the end cap, but not Fleet Engineers. An end cap provides a "finished" appearance, increases safety due to the built in reflectors and keeps debris outside the internal part of the tube. For these reasons, we believe it is important that all FB-27's* and Hellcats come standard with an attractive end cap that stays on!



**INTERNAL
FRAME MOUNT**



**FRAME SEAT WITH
INTERNAL LOCATOR**



**SELF-CENTERING
FRAME SEAT**

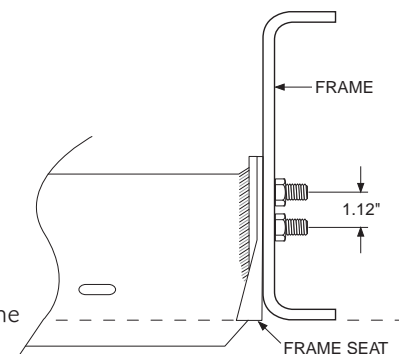
FB-27 Mounting Installation Instructions

1. Make sure the area of the frame where the bracket is to be mounted is clean and free from obstructions and protrusions. The frame seat of the bracket must come in full contact with the frame.
2. Locate the bracket in the desired position. Make sure the frame seat does not extend past the bottom edge of the frame. Mark the location of the bolts.
3. Drill 17/32" clearance holes for the bolts.

NOTE: Be sure to follow truck manufacturers recommended procedures for drilling any required holes in the frame.

4. Install bracket and torque nuts to a maximum of 57 ft. lbs.

NOTE: Mounting the FB-27 with the frame seat extending past the bottom of the frame without the use of part #032-00412 support plate will void the warranty.



Hellcat® Spring Loaded Brackets

FEATURES

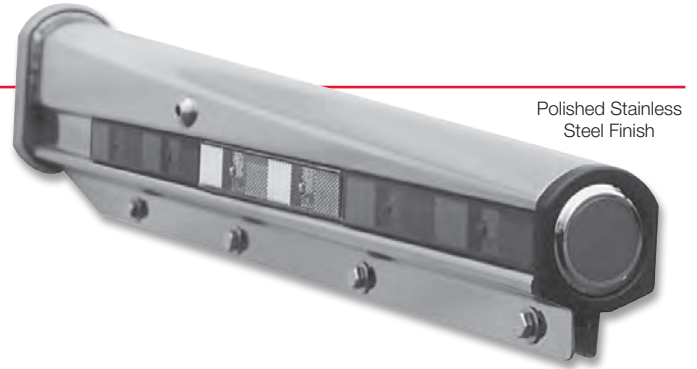
- Available in stainless steel or RoadKote® (black E-coat) painted finish
- Bracket is unassembled; for installation flexibility, reflectors and hardware are not attached
- Slot arrangement conforms to TTMA flap hole pattern on straight brackets
- Cast mounting seat accepts studs for either 1.125" or 2.5" hole pattern
- U.S. Patent # 6,604,724, CAN. Patent #2,328,677

ORDER DETAILS

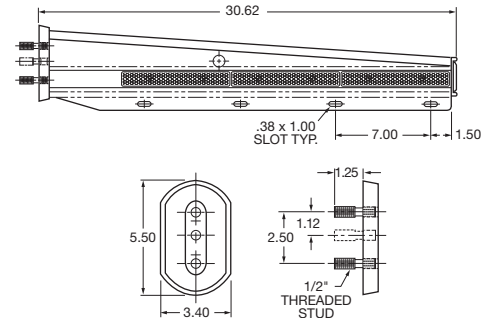
- Packaged set includes two brackets, reflectors, mounting hardware, end caps, plastic snap rivets, and plugs
- End cap packaged set includes two end caps and two end cap reflectors
- Hardware packaged set includes, four studs, four nuts, and four washers
- Plastic snap rivets and plugs packaged set includes 12 of each



Matching Hellcat® mudflap available - see page 53



Polished Stainless Steel Finish



HELLCAT® STRAIGHT SPRING LOADED BRACKETS SPECIFICATIONS

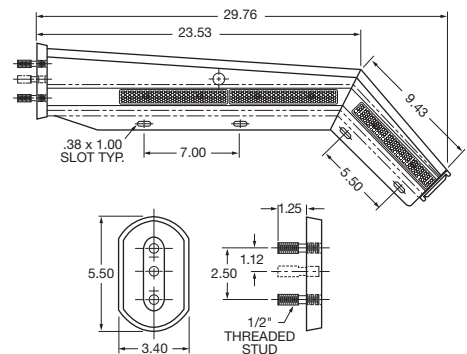
part no.	wt. (lbs.)	pop. code	description	finish
033-04992	26.15	A	complete packaged set	RoadKote® (black E-coat)
033-04993	26.15	A	complete packaged set	polished stainless steel finish
031-01500	0.40	A	straight reflector packaged set- 4 red and 2 white	
031-01502	0.20	A	end cap packaged set for stainless steel model	
031-01503	0.75	A	hardware packaged set	
031-01507	0.025	A	plastic snap rivets and plugs packaged set	



RoadKote Painted Finish



Polished Stainless Steel Finish



HELLCAT® SHORTIE SPRING LOADED BRACKETS SPECIFICATIONS

part no.	wt. (lbs.)	pop. code	description	finish
033-05016	27.39	A	complete packaged set	RoadKote® (black E-coat)
033-05017	27.67	A	complete packaged set	polished stainless steel finish
031-01500	0.40	A	straight reflector packaged set- 4 red and 2 white	
031-01502	0.87	A	end cap packaged set	
031-01503	0.75	A	hardware packaged set	
031-01507	0.025	A	plastic snap rivets and plugs packaged set	

FB-27 Spring Loaded Brackets with Reflective Tape on Extended Flange

APPLICATION

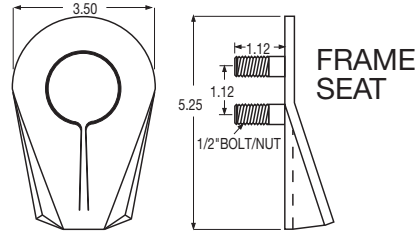
- When mounted directly to the truck frame use the 30.25" Frame Mount bracket. If possibility of bracket extending past the outside edge of the tire when using a frame mounting adapter, order the Standard 28.00" or smaller FB-27 Bracket.

FEATURES

- Extended flange to accommodate reflective tape
- DOT-C2 reflective tape adhered to extended flange
- Bracket available in RoadKote® finish or polished stainless steel
- Patented seat design eliminates wind-caused bracket rotation
- Reduces flap and bracket damage
- Ideal for the heavy-duty spray suppression flaps

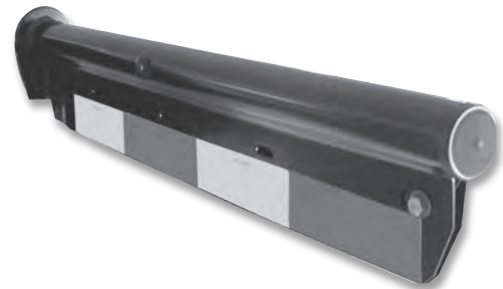
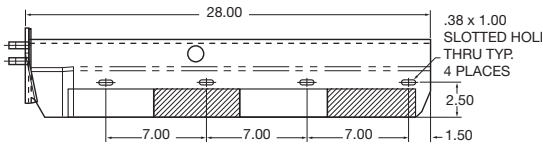
ORDER DETAILS

- Packaged set part number represents two brackets, mounting hardware, and end caps



*STANDARD FB-27 SPRING LOADED BRACKETS WITH REFLECTIVE TAPE ON EXTENDED FLANGE

- Slot arrangement conforms to TTMA flap hole pattern

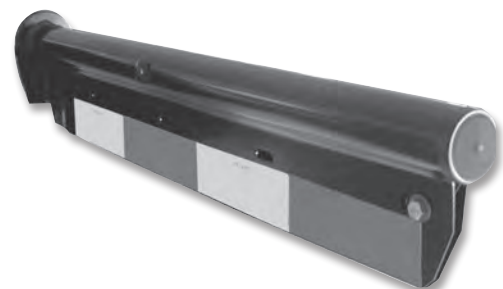
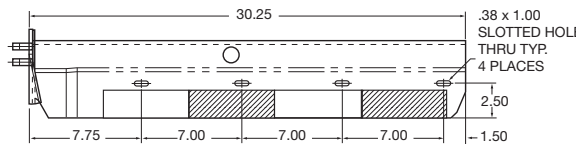


SPECIFICATIONS

part no.	weight (lbs.)	pop. code	length (in.)	construction	cross reference
033-04555	21.70	A	28.00	RoadKote® (black E-coat)	B5728, BF28PCX-kit
033-04567	21.20	A	28.00	polished stainless steel	B5728S, BF28SSCX-kit

*FRAME MOUNT FB-27 SPRING LOADED BRACKETS WITH REFLECTIVE TAPE ON EXTENDED FLANGE

- Slot arrangement conforms to TTMA flap hole pattern
- Larger size for flap retention to tire's outer edge

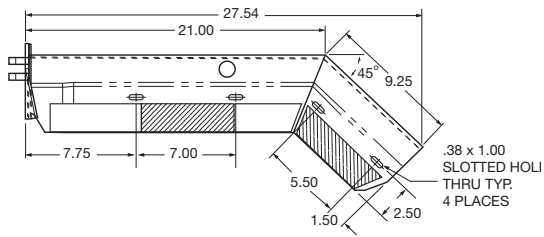


SPECIFICATIONS

part no.	weight (lbs.)	pop. code	length (in.)	construction	cross reference
033-04530	22.85	A	30.25	RoadKote® (black E-Coat)	B57, BF30PCX-kit
033-04550	22.89	A	30.25	polished stainless steel	B57S, BF30SSCX-kit

NOTE: Full contact must be maintained between frame seat and truck frame rail. See page 64

***SHORTIE FB-27 SPRING LOADED BRACKETS WITH REFLECTIVE TAPE ON EXTENDED FLANGE**

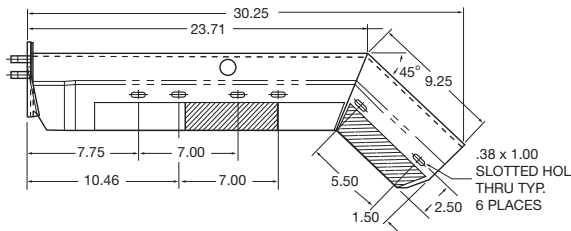


SPECIFICATIONS

part no.	weight (lbs.)	pop. code	length (in.)	construction	cross reference
033-04542	22.45	A	27.54	RoadKote® (black E-coat)	B6728, SF3045PCX-kit
033-04546	21.39	A	27.54	polished stainless steel	B6728S, SF3045SSCX-kit

***FRAME MOUNT SHORTIE FB-27 SPRING LOADED BRACKETS WITH REFLECTIVE TAPE ON EXTENDED FLANGE**

- Longer length provides complete mud flap containment



SPECIFICATIONS

part no.	weight (lbs.)	pop. code	length (in.)	construction	cross reference
033-04647	23.28	A	30.25	RoadKote® (black E-coat)	B67
033-04648	21.60	A	30.25	polished stainless steel	B67S

NOTE: Full contact must be maintained between frame seat and truck frame rail. See page 64

Aftermarket FB-27 Spring Loaded Brackets with Reflective Tape on Extended Flange

APPLICATION

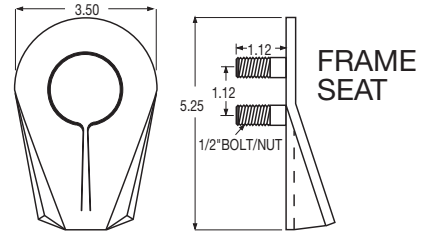
- When mounted directly to the truck frame use the 30.25" Frame Mount bracket. If possibility of bracket extending past the outside edge of the tire when using a frame mounting adapter, order the Standard 28.00" or smaller FB-27 Bracket.

FEATURES

- DOT-C2 reflective tape adhered to flange
- Bracket available in RoadKote® finish or polished stainless steel
- Patented seat design eliminates wind-caused bracket rotation
- Reduces flap and bracket damage
- Ideal for the heavy-duty spray suppression flaps

ORDER DETAILS

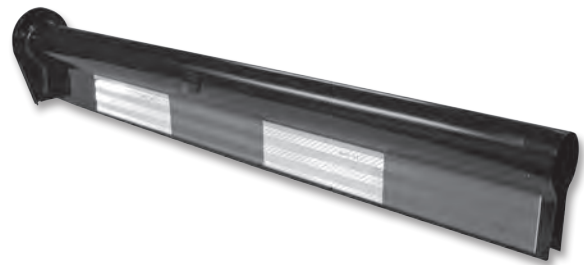
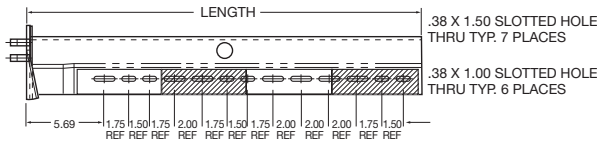
- Packaged set part number represents two brackets, mounting hardware, and end caps



**Lower priced
conspicuity brackets**

AFTERMARKET STANDARD FB-27 SPRING LOADED BRACKETS WITH REFLECTIVE TAPE ON EXTENDED FLANGE

- Slot arrangement conforms to TTMA flap hole pattern

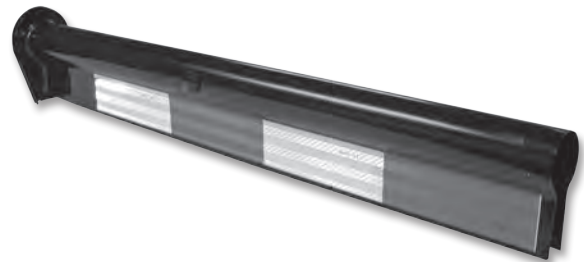
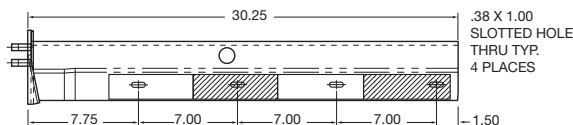


SPECIFICATIONS

part no.	weight (lbs.)	pop. code	length (in.)	construction	cross reference
033-05190	18.25	A	28.00	RoadKote® (black E-coat)	B5728, BF28PCX-kit
033-05191	17.70	A	28.00	polished stainless steel	B5728S, BF28SSCX-kit

AFTERMARKET FRAME MOUNT FB-27 SPRING LOADED BRACKETS WITH REFLECTIVE TAPE ON EXTENDED FLANGE

- Slot arrangement conforms to TTMA flap hole pattern
- Larger size for flap retention to tire's outer edge

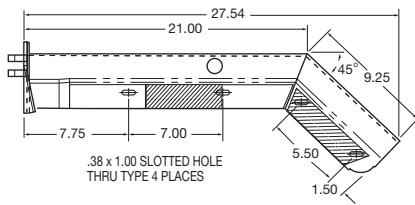


SPECIFICATIONS

part no.	weight (lbs.)	pop. code	length (in.)	construction	cross reference
033-05192	19.31	A	30.25	RoadKote® (black E-Coat)	B57, BF30PCX-kit
033-05193	18.85	A	30.25	polished stainless steel	B57S, BF30SSCX-kit

NOTE: Full contact must be maintained between frame seat and truck frame rail. See page 64

AFTERMARKET SHORTIE FB-27 SPRING LOADED BRACKETS WITH REFLECTIVE TAPE ON EXTENDED FLANGE

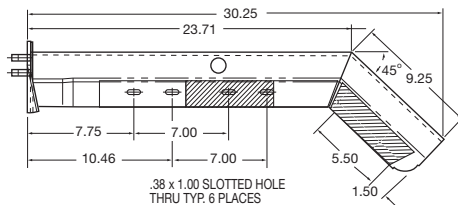


SPECIFICATIONS

part no.	weight (lbs.)	pop. code	length (in.)	construction	cross reference
033-05194	18.85	A	27.54	RoadKote® (black E-coat)	B6728, SF3045PCX-kit
033-05195	18.35	A	27.54	polished stainless steel	B6728S, SF3045SSCX-kit

AFTERMARKET FRAME MOUNT SHORTIE FB-27 SPRING LOADED BRACKETS WITH REFLECTIVE TAPE ON EXTENDED FLANGE

- Longer length provides complete mud flap containment



SPECIFICATIONS

part no.	weight (lbs.)	pop. code	length (in.)	construction	cross reference
033-05196	20.65	A	30.25	RoadKote® (black E-coat)	B67
033-05197	19.71	A	30.25	polished stainless steel	B67S

NOTE: Full contact must be maintained between frame seat and truck frame rail. See page 64

FB-27 Brackets with Reflector Holders and Reflectors

APPLICATION

- When mounted directly to the truck frame use the 30.25" Frame Mount bracket. If possibility of bracket extending past the outside edge of the tire when using a frame mounting adapter, order the Standard 28.00" or smaller FB-27 Bracket.

FEATURES

- Holders made of strong black plastic construction and have tabs to hold reflectors in securely in place
- Brackets available in RoadKote® or stainless steel finish and two lengths

ORDER DETAILS

- Packaged set includes two brackets, end caps, two holders, two white reflectors, four red reflectors, and all hardware (bracket to chassis, holder to bracket and holder to bracket to mud flap)



SPECIFICATIONS FOR STRAIGHT BRACKETS

part no.	weight (lbs.)	pop. code	bracket length	bracket construction
031-01265	19.28	A	30.25	RoadKote® (black E-coat)
031-01266	19.28	A	30.25	stainless steel
031-01271	18.48	A	28.00	RoadKote® (black E-coat)
031-01272	18.28	A	28.00	stainless steel

SPECIFICATIONS FOR SHORTIE BRACKETS

part no.	weight (lbs.)	pop. code	bracket length	bracket construction
031-01273	18.90	A	27.54	RoadKote® (black E-coat)
031-01274	19.20	A	27.54	stainless steel
031-01267	19.01	A	30.25	RoadKote® (black E-coat)
031-01268	19.01	A	30.25	stainless steel

Bar Type Brackets with Reflector Holders and Reflectors

FEATURES

- Holders made of strong black plastic construction and have tabs to hold reflectors securely in place

ORDER DETAILS

- Packaged set includes two arms, cast sockets, two holders, two white reflectors, four red reflectors, and all hardware (bracket to chassis, holder to bracket and holder to bracket to mud flap)



SPECIFICATIONS

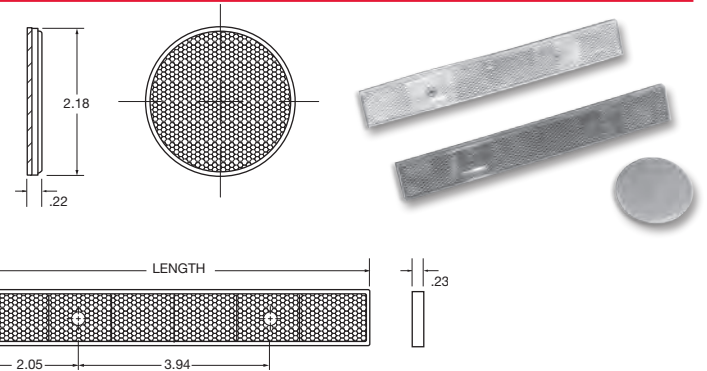
part no.	weight (lbs.)	pop. code	description
031-01263	14.38	A	right angle
031-01264	14.50	A	shortie right angle

NOTE: Full contact must be maintained between frame seat and truck frame rail. See page 64

Conspicuity Reflectors

FEATURES

- Meets DOT-2 conspicuity law in a variety of applications
- Can be used with reflector holders or independently
- Round reflectors can be attached with adhesive backing
- Rectangular reflectors can be attached with either adhesive backing or with self-taping stainless steel screws through existing holes



ORDER DETAILS

- Part numbers represent one reflector
- Fastener packaged set consists of 12 stainless steel screws

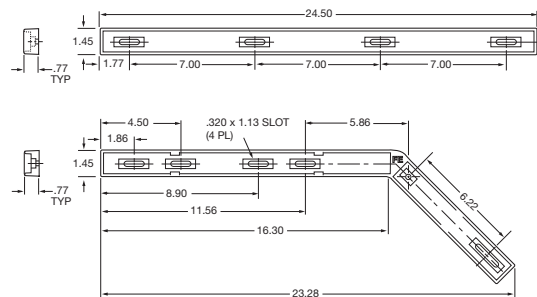
SPECIFICATIONS

part no.	wt. (lbs.)	pop. code	description	color	length (in.)	cross reference
033-04995	.065	A	rectangle reflector	white	8.03	#2008WP, 2008WS
033-04994	.065	A	rectangle reflector	red	8.03	#2008RP, 2008RS
033-04682	.13	A	reflector holder		16.00	
031-01515	.02	A	round reflector	red	-	
031-00098	.01	A	fastener kit	-	-	
031-01500	.40	A	straight reflector set	4 red, 2 white (enough for 2 holders)		

Conspicuity Reflector Holders

FEATURES

- Strong black plastic construction
- Can be used in a variety of applications: attached to mud flap brackets, used on back of tractor, or on trailers
- To be used with 8.00" reflectors (above)
- Slot arrangement on straight holders conforms to TTMA flap pattern
- Shortie reflector holders fit bar stock, FB-27 brackets and some other brands



ORDER DETAILS

- Part numbers represent one reflector holder
- Fastener packaged set consists of four stainless steel bolts, four nuts, and four washers (one set needed per holder)

SPECIFICATIONS FOR STRAIGHT HOLDERS

part no.	wt. (lbs.)	pop. code	description	opening length (in.)	8.00" reflectors required
033-04683	.49	A	reflector holder	24.00	3
031-00999	.10	A	stainless steel fastener packaged set		

SPECIFICATIONS FOR SHORTIE HOLDERS

part no.	wt. (lbs.)	pop. code	description	application
033-04684	.55	A	reflector holder	right - curbside
033-04685	.55	A	reflector holder	left - roadside
031-00999	.10	A	stainless steel fastener packaged set	

P.O.P. Reflectors/holders

FEATURES

- Attractive point-of-purchase display product
- Can be used with any straight or shortie, bar or spring loaded mud flap brackets
- Holders are made of strong black plastic construction with tabs to hold reflectors securely in place
- Enough for one pair of mud flap brackets

ORDER DETAILS

- Each packaged set includes two reflector holders, two white reflectors, four red reflectors and stainless steel hardware (eight bolts, eight nuts, eight square washers and eight round washers)
- Brackets not included. See page 70 for reflectors/holders with brackets



SPECIFICATIONS

part no.	wt. (lbs.)	pop. code	bracket type	cross reference
031-01275	1.52	A	straight	#2800
031-01276	1.65	A	shortie	#2845

Part #031-01275 shown on a bar bracket (top) and part #031-01276 shown on a Shortie FB-27 - brackets not included with this item. See page 70 to order this product with brackets.

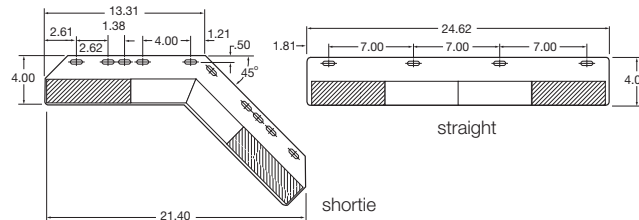
Universal Conspicuity Plates

APPLICATION

- Can be used with any straight, shortie, bar or spring loaded bracket

FEATURES

- Available in aluminum, black E-coated aluminum, or stainless steel
- Reflective tape attached
- Universal, use either on roadside or curbside



ORDER DETAILS

- Part number represents one plate

SPECIFICATIONS

part no.	wt. (lbs.)	pop. code	bracket type	construction	application	cross reference
033-04259	.60	A	straight	aluminum	roadside OR curbside	RT25, JK2800
033-04263	.57	A	shortie	aluminum	roadside OR curbside	RT35, JK2845
033-05040	.60	A	straight	black RoadKote®	roadside OR curbside	
033-05041	.57	A	shortie	black RoadKote®	roadside OR curbside	
033-05042	1.67	A	straight	stainless steel	roadside OR curbside	
033-05043	1.55	A	shortie	stainless steel	roadside OR curbside	

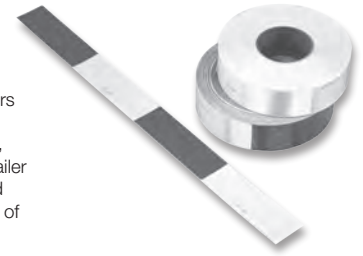
DOT-C2 Reflective Tape

FEATURES

- DOT-C2 certified, exceeds NHTSA requirements
- Highly reflective, even up to a 900 angle
- Available in red and white roll, all white roll or red and white strip
- Quick and easy to apply



- White conspicuity markings must be as close to the top and outer edges as possible
- Red and white tape or reflectors must be applied to horizontal hangers supporting mud flaps, on the rear and sides of the trailer 14.75" - 60" above the ground and on the horizontal member of the underride protection.



SPECIFICATIONS

part no.	wt. (lbs.)	pop. code	description	length
997-75000	0.02	A	strip	24" x 2" / 6" red x 6" white pattern
997-75003	3.83	A	roll	150 feet / 6" red x 6" white pattern
997-75004	3.83	A	roll	150 feet / 11" white x 7" red pattern
997-75005	3.83	A	roll	150 feet / all white

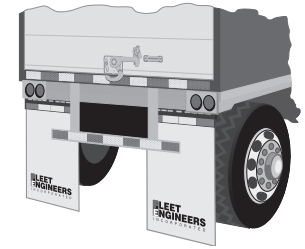
Mud Flap Retaining Strap With Reflective Tape

FEATURES

- E-coat black primed steel
- .12" thick, heavy-duty steel construction
- Holds mud flap securely in place while meeting requirements of conspicuity law

ORDER DETAILS

- Use with mounting angle part number 033-00051 (below)



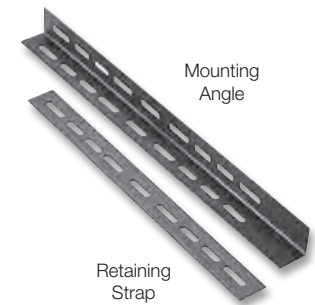
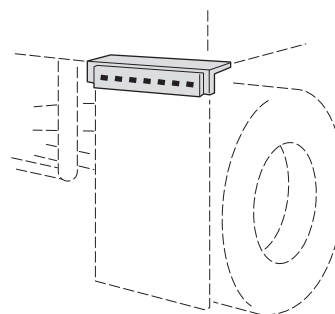
SPECIFICATIONS

part no.	wt. (lbs.)	pop. code	dimension (in.)	description	application
033-04675	2.90	A	2.00 x 24.00	one piece	use with mounting angle 033-00051

Mud Flap Mounting Angle and Retaining Strap

FEATURES

- .12" thick, heavy-duty steel construction
- Black primer finish



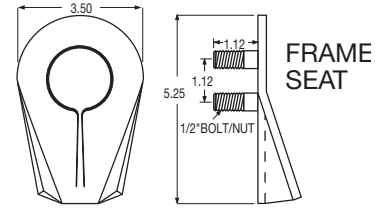
SPECIFICATIONS

part no.	weight (lbs.)	pop. code	dimension (in.)	description	cross reference
033-00051	3.40	A	2.00 x 2.00 x 27.50	mounting angle	#07-50
033-00053	1.40	A	2.00 x 24.00	retaining strap	#07-50-1

FB-27 Spring Loaded Brackets

APPLICATION

- When mounted directly to the truck frame use the 30.25" Frame Mount bracket. If possibility of bracket extending past the outside edge of the tire when using a frame mounting adapter, order the Standard 28.00" or smaller FB-27 Bracket.



FEATURES

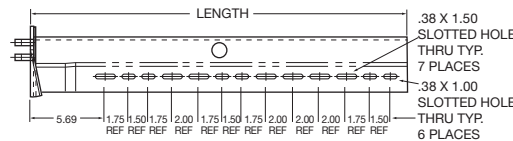
- Heavy-duty construction
- Patented seat design eliminates wind-caused bracket rotation
- Reduces flap and bracket damage
- Ideal for the heavy-duty spray suppression flaps
- Slot arrangement conforms to TTMA flap hole pattern for straight brackets
- Frame Mount Straight and Shortie have larger size for flap retention to tires outer edge

Note: The FB-27 Spring Loaded Brackets on pages 74 and 75 do not contain conspicuity tape which is required to meet conspicuity requirements in North America. For parts that have conspicuity tape already attached see pages 66-69. To conform to conspicuity requirements using reflector holders or plate, see pages 70-72.

ORDER DETAILS

- Packaged set part number represents two brackets, mounting hardware, and end caps (033-00257 does not have end caps)

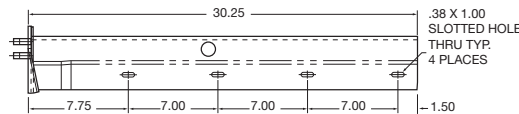
STANDARD FB-27 SPRING LOADED BRACKETS



SPECIFICATIONS

part no.	weight (lbs.)	pop. code	length (in.)	construction	may be replaced by part no.*	cross reference
033-00270	18.25	A	28.00	RoadKote® (black E-coat)	033-00868	#BF-28P-Kit
033-00271	15.85	B	20.50	RoadKote® (black E-coat)	n/a	
033-00272	17.26	B	24.50	RoadKote® (black E-coat)	n/a	
033-00277	17.70	A	28.00	polished stainless steel	033-00870	#BF-28SS-Kit

FRAME MOUNT FB-27 SPRING LOADED BRACKETS

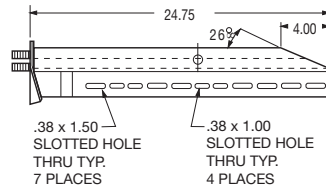


SPECIFICATIONS

part no.	weight (lbs.)	pop. code	length (in.)	construction	cross reference
033-00868	19.31	A	30.25	RoadKote® (black E-coat)	#B27, #B57NT, #BF30P-Kit
033-00870	18.85	A	30.25	polished stainless steel	#BF30SS-Kit

NOTE: Full contact must be maintained between frame seat and truck frame rail. See page 64

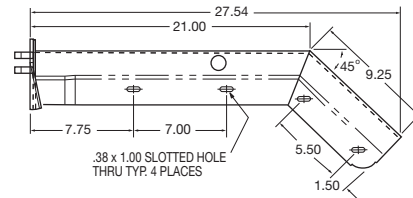
26° CUT FB-27 SPRING LOADED BRACKET



SPECIFICATIONS

part no.	weight (lbs.)	pop. code	length (in.)	construction
033-00257	16.73	A	24.75	RoadKote® (black E-coat)

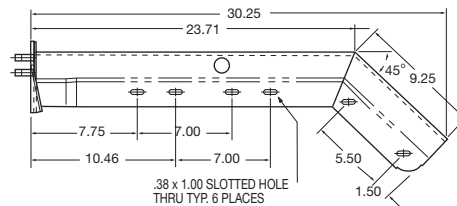
SHORTIE FB-27 SPRING LOADED BRACKETS



SPECIFICATIONS

part no.	weight (lbs.)	pop. code	length (in.)	cross reference
033-00864	18.85	A	RoadKote® (black E-coat)	#SF3045P-Kit
033-00865	18.35	A	polished stainless steel	#SF3045SS-Kit

FRAME MOUNT SHORTIE FB-27 SPRING LOADED BRACKETS



SPECIFICATIONS

part no.	weight (lbs.)	pop. code	length (in.)	cross reference
033-03404	20.65	A	RoadKote® (black E-coat)	#B37, #B67NT #SF3345P-Kit
033-04150	19.71	A	polished stainless steel	#SF3345SS-Kit

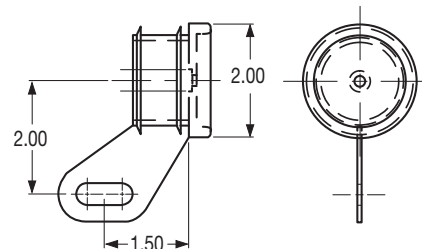
Plastic End Cap for FB-27 Brackets

FEATURES

- Stays securely in place with bolt through tab
- As an added benefit, the red reflector increases safety and looks great
- For use on all FB-27's and many other brands

ORDER DETAILS

- Packaged set includes two end caps, two round red reflectors, and two plastic rivets (assembled) in a plastic bag



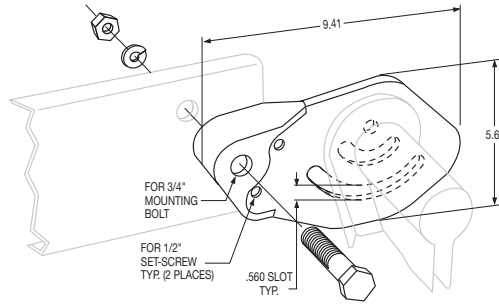
SPECIFICATIONS

part no.	weight (lbs.)	popularity code
031-01269	.13	A

Adjust-A-Mount®

FEATURES

- Ability to offset spring loaded mud flap brackets 5.0" fore and aft, plus raise 4-15/16" and lower 3-9/16"
- For use on most brands, styles and for both 1.125" and 2.5" bolt centers
- Jamming set screws safely lock adapter in place



U.S. Patent #6,435,462,B2
CAN. Patent #2,329,277

ORDER DETAILS

- Packaged set consists of two adapters, two jamming set screws, two each 3/4" bolts, nuts, and lock washers, and four 1/2" flat washers

SPECIFICATIONS

part no.	weight (lbs.)	pop. code	description	finish
031-01588	13.95	A	packaged set	RoadKote® (black E-coat)
033-04731	6.16	A	individual adapter	RoadKote® (black E-coat)

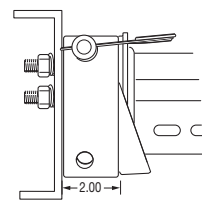
FB-27 Removable Adaptor and Lock Pin

APPLICATION

- Can be used with standard FB-27 and Shortie FB-27 models
- New hole pattern for use with wide bolt mud flap brackets

FEATURES

- Heavy-duty steel construction
- Case hardened steel, .50" diameter, spring loaded lock pin
- Two convenient locations for padlock usage



ORDER DETAILS

- Part number represents one bracket and hardware (lock pin, two bolts, nuts and washers)

SPECIFICATIONS

part no.	weight (lbs.)	pop. code	description	construction
034-00416	4.60	A	adaptor bulk kit	black primed steel
031-00056	.43	A	lock pin	case hardened steel

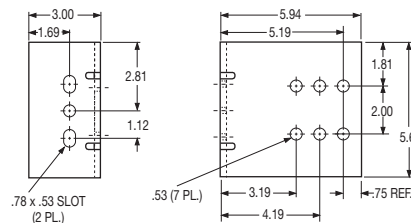
Universal Mounting Adaptor

APPLICATION

- Used in various bracket mounting applications

ORDER DETAILS

- Part number represents one adaptor



SPECIFICATIONS

part no.	weight (lbs.)	pop. code	construction
033-00374	3.20	A	black primed steel

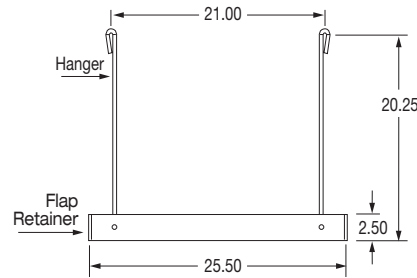
Decorative and Standard Anti-Sail Brackets

FEATURES

- Good point-of-purchase product
- Assembly required

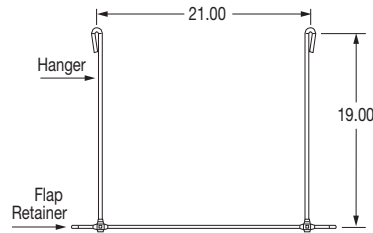
ORDER DETAILS

- Part number represents single bracket only - enough for one mud flap
- Packaged set includes hangers, flap retainer, and hardware (carriage bolts and jam nuts)



DECORATIVE ANTI-SAIL BRACKET SPECIFICATIONS

part no.	weight (lbs.)	pop. code	finish	hardware finish	max. flap thickness
033-05110	2.51	A	chrome	chrome	5/16"
033-05111	2.51	A	stainless steel	stainless steel	5/16"
033-05112	2.51	A	black E-coat	black E-coat	5/16"



STANDARD ANTI-SAIL BRACKET SPECIFICATIONS

part no.	weight (lbs.)	pop. code	finish	hardware finish	max. flap thickness
033-05125	1.82	A	chrome	chrome	3/8"
033-05126	1.82	A	stainless steel	stainless steel	3/8"
033-05127	1.82	A	black E-coat	black E-coat	3/8"

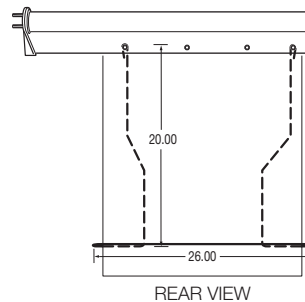
Standard Anti-Sail Brackets - One Piece Design

FEATURES

- Steel construction, black primed, stainless, galvanized or chrome finish
- All models made from .31" diameter wire
- .38" diameter mounting eyes
- Fits standard 24.00" wide mud flaps
- Accepts mud flaps up to 1.00" thick, including most spray suppression mud flaps

ORDER DETAILS

- Part number represents single bracket only



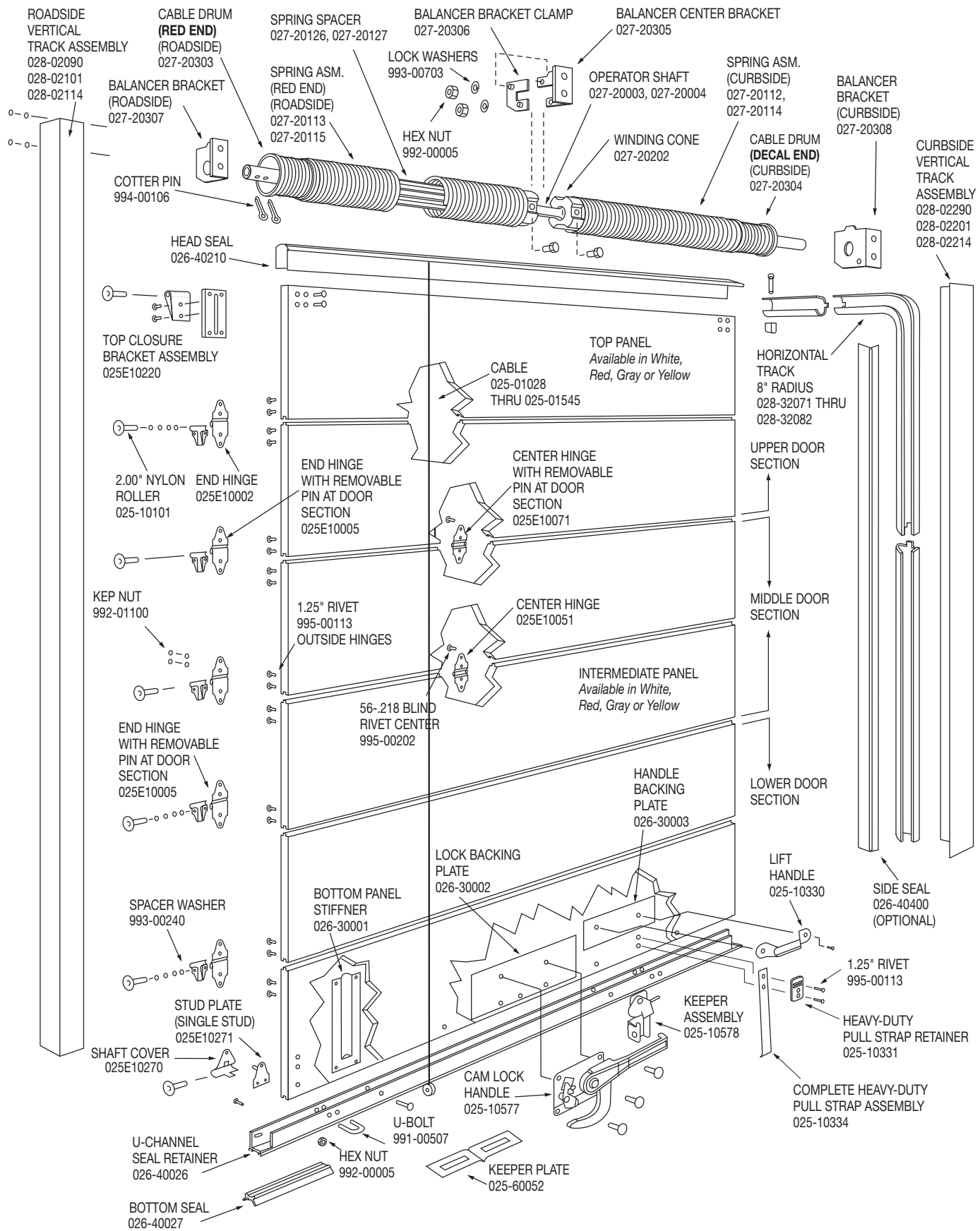
SPECIFICATIONS

part no.	weight (lbs.)	pop. code	description	construction	application
033-00076	1.80	A	single bracket	stainless steel	spring loaded and bar brackets
033-00078	1.80	A	single bracket	galvanized	spring loaded and bar brackets
033-00079	1.80	A	single bracket	black primed steel	spring loaded and bar brackets
033-00075	1.80	A	single bracket	chrome	spring loaded and bar brackets

PolyTrak® Roll-Up Doors

DOOR SOLUTIONS

POLYTRAK® ROLL-UP DOORS



PolyTrak® Roll-Up Doors

FEATURES

- Engineered polymer, white, gray, yellow or red thru color
- UV stabilizer prevents discoloration
- Panels never need painting, color is molded in
- Galvanized steel reinforcement channels
- Unaffected by heat and cold: -92°F and +158°F (-69°C to 70°C)
- Panels and hardware are interchangeable with industry standard flush mount 2" rollers components
- Rivets are on the inside which allows for easy graphics application
- Repels moisture
- Designed to fit 2" track, uses 2.00" nylon roller
- Grooved cable drums prevent binding or premature wear
- Cables are visible for easy maintenance
- End hinges have removable covers to allow easy roller replacement
- Dual durometer side seals are included on complete door assemblies
- Complete doors use right angle channel mounting angle
- Exterior fasteners are all stainless steel
- Dual spring operator
- Cam lock assembly
- Adjustable top bracket assembly
- One-piece head seal



ORDER DETAILS

- Doors custom manufactured to meet your exact specifications
- Doors packaged individually to prevent damage
- Includes all hardware, steel lock assembly, stainless steel 7 x 19, 1/4 eye cables, heavy-duty lift handle, and 18.00" pull strap assembly
- Universal Drop In (UDI) Doors and Complete-UDI Doors are shipped with hardware loose on one side. Complete Replacement Doors and Replacement Doors have all hardware attached; specify when ordering.

Blind Rivets

never leave unsightly rust streaks because they are not exposed on the outside of the door. Provides a smooth surface for easy graphic installation.

Interchangeable Components

if needed, standard W-Style hardware and panels can be used for a quick fix, reducing downtime

Handle/Strap Backing Plate

keeps handle and strap tight and secure.

Rubber Bottom Seal

creates a barrier to keep dirt and moisture out; keeping cargo clean and dry inside.

Formed Panel Grooves

on the inside add strength and reduce weight, leaving the outside of the door smooth for graphics.

Reinforced Channels

provide additional strength and eliminates unsightly sag.

End Hinges with Removable Pin

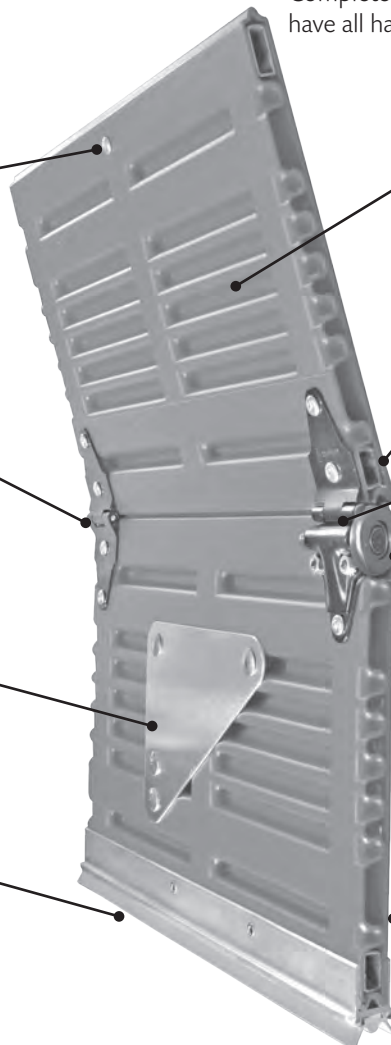
make a PolyTrak door easier to install and speed up panel replacement.

10 Roller Ball 2" Door Rollers

provide smooth door operation extending the life of all door components.

UV Protected Panels

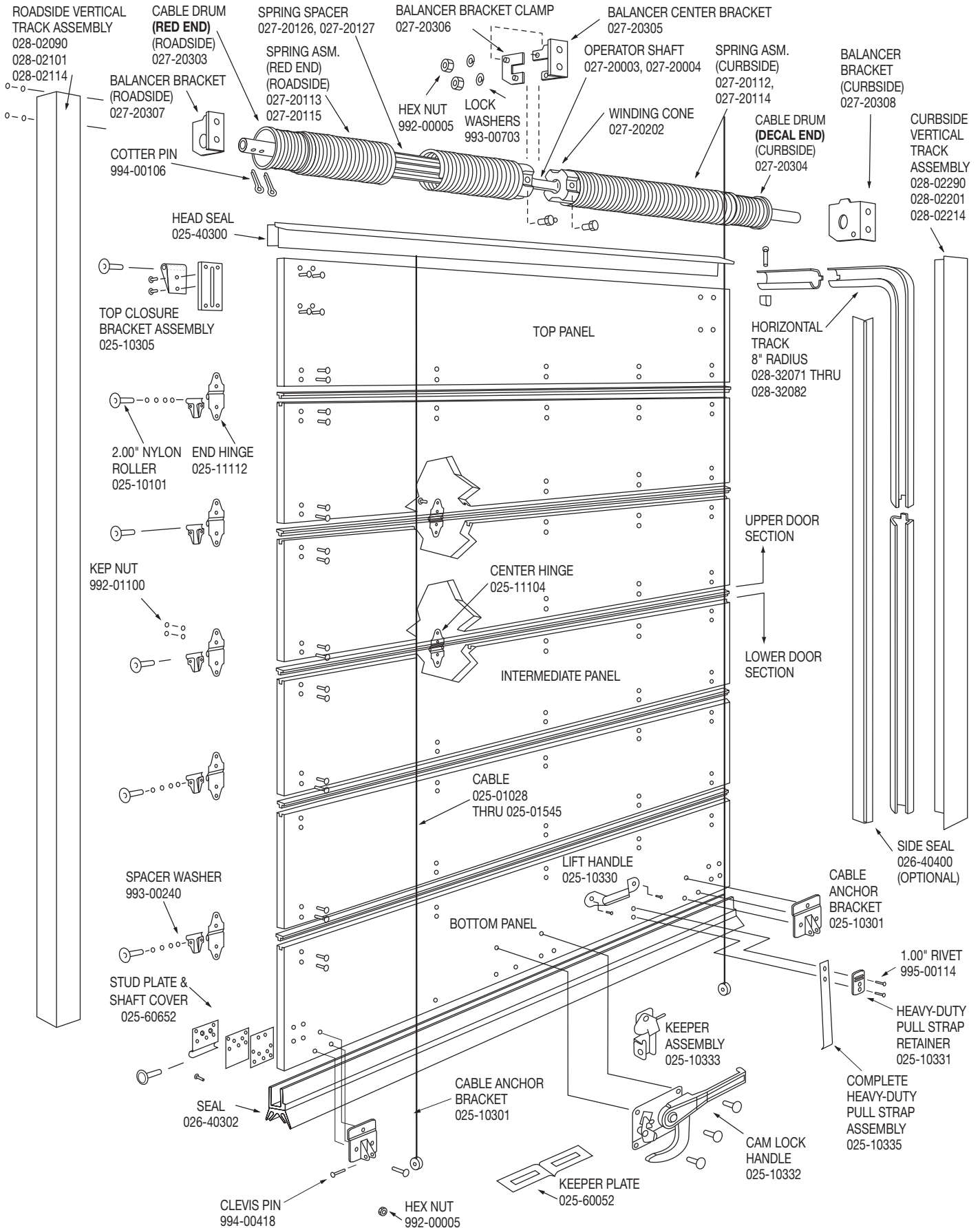
will not chip, fade or crack due to weather conditions.



ToughTrak® Steel Clad Roll-Up Door

DOOR SOLUTIONS

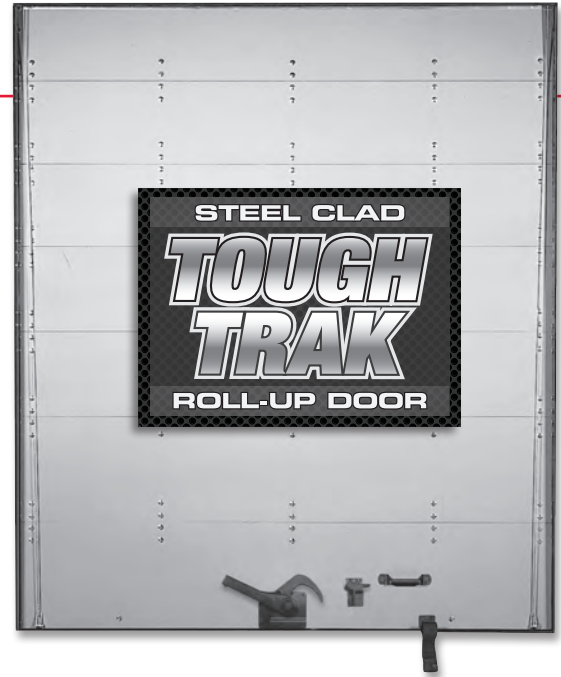
TOUGHTRAK® ROLL-UP DOORS



ToughTrak® Steel Clad Roll-Up Door

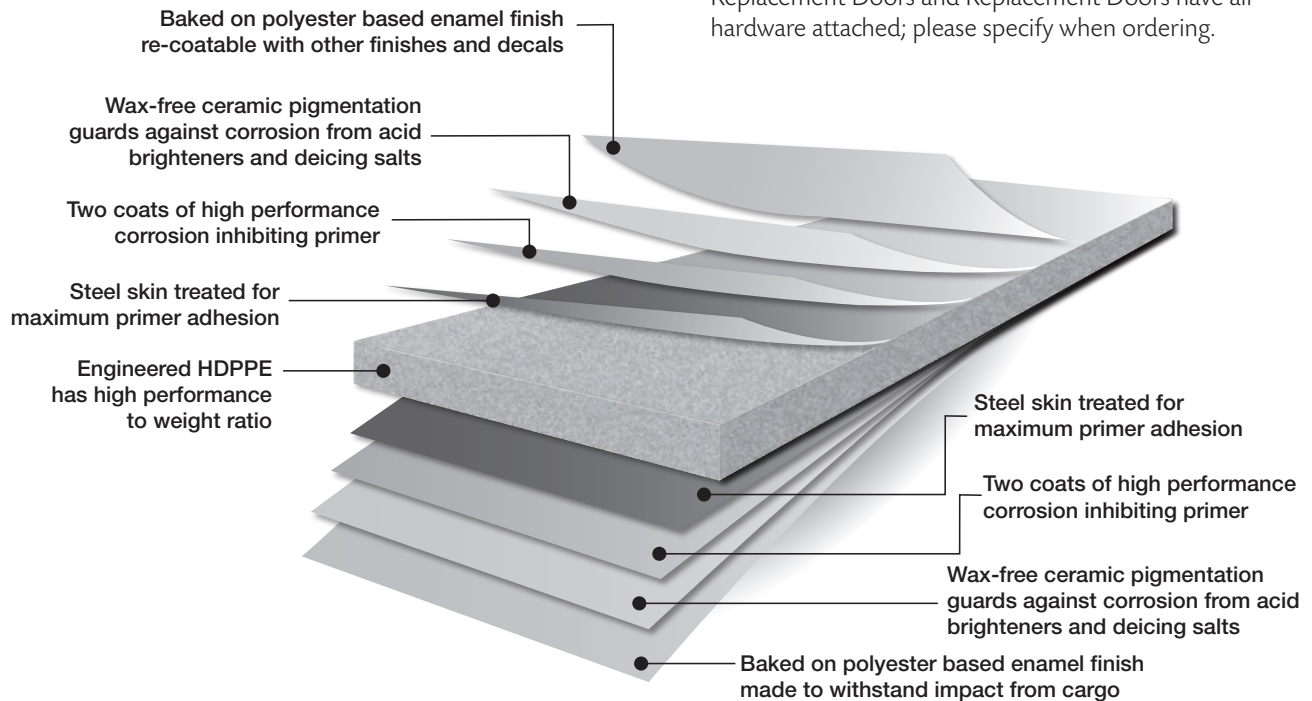
FEATURES

- 1/2" (13mm) composite panel thickness
- High density polyethylene core
- Baked on white enamel finish, paintable panels
- Dual spring operator
- Cam lock assembly (025-10577 and 025-10578)
- Adjustable top bracket assembly
- One-piece head seal
- Tongue and groove joints
- Stainless steel rivets/E-coat/powder coated components
- E-coat/powder coated lock and keeper
- Cable drums are grooved to prevent cables from binding or wearing prematurely
- Uses 2.00" nylon roller
- One-piece flexible PVC bottom seal
- End hinges have removable covers to allow easy roller replacement
- Dual durometer side seals are included on complete door assemblies
- All hardware packaged and weighed to verify accuracy
- Complete doors use right angle channel mounting angle



ORDER DETAILS

- Doors custom manufactured to meet exact specifications
- Doors packaged individually to prevent damage
- Includes all hardware, steel lock assembly with keeper plate, stainless steel 7 x 19, 1/4 eye cables, heavy-duty lift handle, and 18" pull strap assembly
- Universal Drop In (UDI) Doors and Complete-UDI Doors are shipped with hardware loose on both sides. Complete Replacement Doors and Replacement Doors have all hardware attached; please specify when ordering.

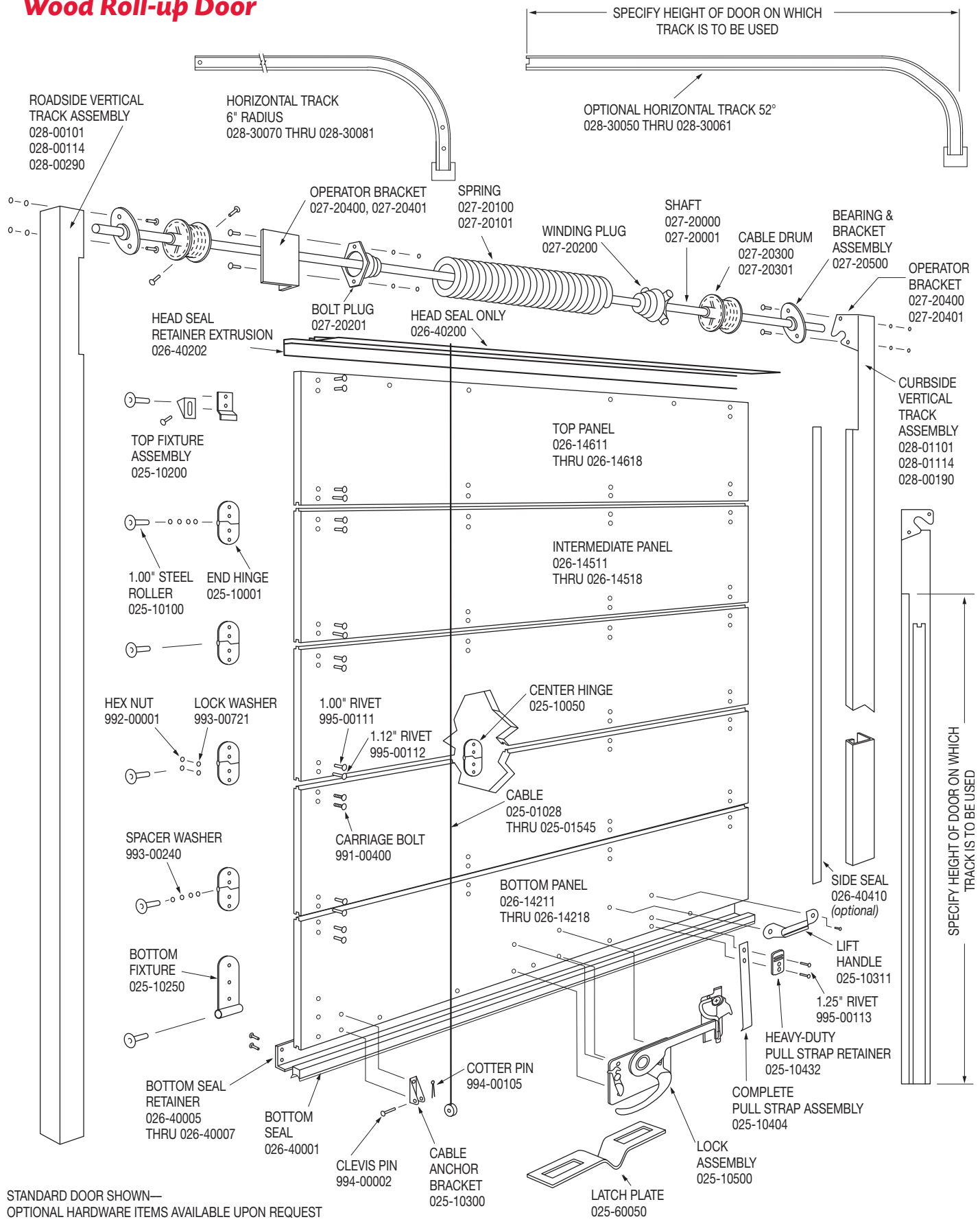


TOUGHTRAK
TOUGH DOWN TO THE CORE

PrecisionTrak® Recessed 1" Roller Wood Roll-up Door

DOOR SOLUTIONS

PRECISIONTRAK® ROLL-UP DOORS



STANDARD DOOR SHOWN—
OPTIONAL HARDWARE ITEMS AVAILABLE UPON REQUEST

PrecisionTrak® Recessed 1" Roller Wood Roll-up Door

FEATURES

- .75" thick, 7 ply, exterior grade, medium density plywood
- Standard doors have primer finish
- High gloss white finish coat available upon request
- Single counterbalanced spring operator with quick, easy adjustment
- Maximum strength, spring assisted steel lock eliminates door bounce
- Head seal retainer extrusion with removable rubber seal
- Cable drums are grooved to prevent cables from binding or wearing prematurely
- Interlocking tongue and groove door panels for a weather-tight joint and proper panel alignment
- Hinges are recessed to prevent freight hang-up and door damage
- Latch plate and side seals are available as an option (not included unless specified)
- Complete doors use J-Style channel mounting angle



ORDER DETAILS

- Doors custom manufactured to meet exact specifications
- Doors packaged individually to prevent damage
- Includes all hardware, steel lock assembly, stainless steel 7 x 19, 1/4 eye cables, heavy-duty lift handle, and 18.00" pull strap assembly
- Universal Drop In (UDI) Doors and Complete-UDI Doors are shipped with hardware loose on one side, curbside. Complete Replacement Doors and Replacement Doors have all hardware attached; please specify when ordering.
- Doors of other sizes, as replacement or with options, contact Fleet Engineers for special part number and price

UDI (UNIVERSAL DROP IN) DOORS - TRIM TO FIT SPECIFICATIONS

part no.	weight (lbs.)	pop. code	width (in.)	height (in.)	cross reference
029-09090	188.00	B	90.00	90.00	T #99611-2, W General Purpose
029-90100	202.00	B	90.00	100.00	T #99610-2, W General Purpose
029-90105	208.00	B	90.00	105.00	T #99861-2, W General Purpose
029-90112	218.00	B	90.00	112.00	W General Purpose
029-98090	204.00	B	98.00	90.00	T #99835-2, W General Purpose
029-98100	219.00	B	98.00	100.00	T #99836-2, W General Purpose
029-98105	227.00	B	98.00	105.00	T #99837-2, W General Purpose
029-98107	230.00	B	98.00	107.00	W General Purpose
029-98112	238.00	B	98.00	112.00	T #99838-2, W General Purpose

COMPLETE-UDI (UNIVERSAL DROP IN) DOORS - TRIM TO FIT SPECIFICATIONS

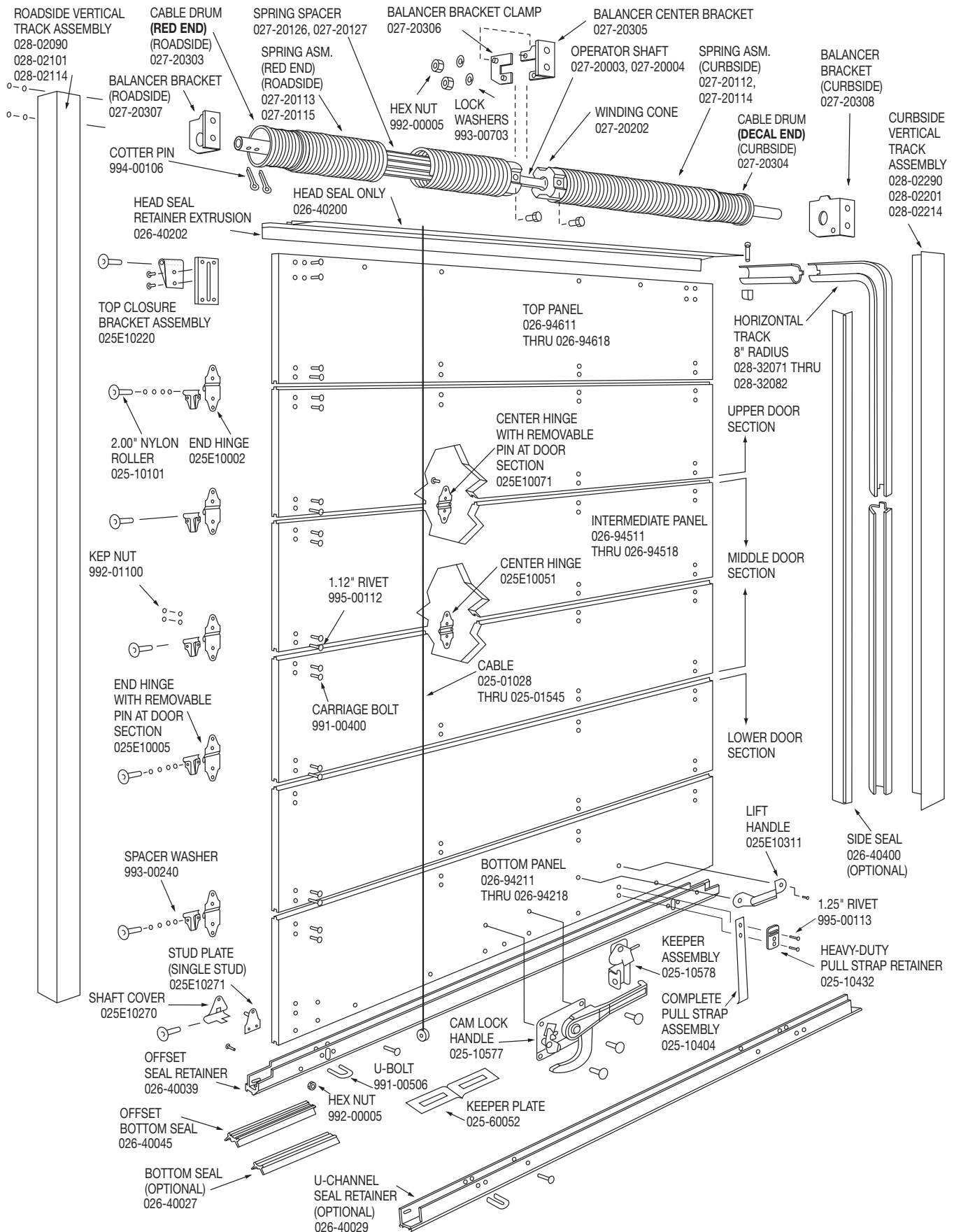
(Includes Vertical and Horizontal Track and Operator Assembly)

part no.	weight (lbs.)	pop. code	width (in.)	height (in.)	cross reference
029C09090	267.00	B	90.00	90.00	T #99611-1
029C90100	286.00	B	90.00	100.00	T #99610-1
029C90105	297.00	B	90.00	105.00	T #99861-1
029C90112	307.00	B	90.00	112.00	
029C98090	283.00	B	98.00	90.00	T #99835-1
029C98100	303.00	B	98.00	100.00	T #99836-1
029C98105	316.00	B	98.00	105.00	T #99837-1
029C98107	319.00	B	98.00	107.00	
029C98112	327.00	B	98.00	112.00	T #99838-1

PrecisionTrak® Flush Mount 2" Roller Wood Roll-up Door

DOOR SOLUTIONS

PRECISIONTRAK® ROLL-UP DOORS



PrecisionTrak® Flush Mount 2" Roller Wood Roll-up Door

FEATURES

- .75" thick, 7 ply, exterior grade, medium density plywood
- Standard doors have primer finish
- High gloss white finish coat available upon request
- Dual spring operator
- Cam lock assembly (025-10577 and 025-10578) are attached on all doors
- Adjustable top bracket assembly
- Head seal retainer extrusion with removable rubber seal
- Cable drums are grooved to prevent cables from binding or wearing prematurely
- Uses 2.00" nylon roller
- Flexible PVC bottom seal with aluminum seal retainer
- End hinges have removable covers to allow easy roller replacement
- Dual durometer side seals are included on complete door assemblies
- Complete doors use right angle channel mounting angle



ORDER DETAILS

- Doors custom manufactured to meet exact specifications
- Doors packaged individually to prevent damage
- Includes all hardware, steel lock assembly, stainless steel 7 x 19, 1/4 eye cables, heavy-duty lift handle, and 18.00" pull strap assembly
- Universal Drop In (UDI) Doors and Complete-UDI Doors are shipped with hardware loose on both sides. Complete Replacement Doors and Replacement Doors have all hardware attached; please specify when ordering
- Doors of other sizes, as replacement or with options, contact Fleet Engineers for special part number and price

UDI (UNIVERSAL DROP IN) DOORS SPECIFICATIONS

part no.	weight (lbs.)	pop. code	width (in.)	height (in.)
029-08090	190.00	B	90.00	90.00
029-08100	204.00	B	90.00	100.00
029-08105	210.00	B	90.00	105.00
029-08112	220.00	B	90.00	112.00
029-98290	204.00	B	98.00	90.00
029-98200	219.00	B	98.00	100.00
029-98205	227.00	B	98.00	105.00
029-98207	230.00	B	98.00	107.00
029-98212	238.00	B	98.00	112.00

COMPLETE-UDI (UNIVERSAL DROP IN) DOORS SPECIFICATIONS

(Includes Vertical and Horizontal Track and Operator Assembly)

part no.	weight (lbs.)	pop. code	width (in.)	height (in.)
029C08090	269.00	B	90.00	90.00
029C08100	288.00	B	90.00	100.00
029C08105	299.00	B	90.00	105.00
029C08112	309.00	B	90.00	112.00
029C98290	283.00	B	98.00	90.00
029C98200	303.00	B	98.00	100.00
029C98205	316.00	B	98.00	105.00
029C98207	319.00	B	98.00	107.00
029C98212	327.00	B	98.00	112.00

Date: _____

Sold To: _____

Ship To: _____

Contact: _____

Phone: _____

P.O. Number: _____ Qty. _____

STYLE: _____ **PolyTrak® Roll-up Door** _____ **ToughTrak® Roll-up Door** _____ **PrecisionTrak® Recessed 1" Roller Door** _____ **PrecisionTrak® Flush Mount 2" Roller Door**

Dimensions for Width

A = opening width _____

B = track mounting width _____

C = side room _____

D = over the door _____

D = A + 2.00" for PolyTrak OR

D = A + 2.25" for all other doors _____

Please fill in all dimensions. If you have special conditions, please indicate above or attach an additional sketch for engineer review.

Dimensions for Height

E = opening height _____

F = header to roof bow (5.50" min.) _____

G = doorjam to floor (3.00" min.) _____

H = over the door height (E - .50") _____

Overall Door Size (required):

_____ Wide x _____ High
(Available in .25" increments only)

Door Options For All Style Doors - Fully Assembled Replacement Door

____ Replacement Door (Door only, fully assembled and manufactured to exact size)

____ Complete Replacement Door (Fully assembled door, manufactured to exact size, with all tracking and operator assembly. Side seals included on Polytrak.)

____ Inside release lock (available for 2" roller doors only)

Additional UDI Door Options for Wood Doors Only

____ 2" Roller Universal Drop In Door: (Door only, hinges shipped loose on both sides)

____ 1" Roller Universal Drop In Door: (Door only, hinges shipped loose on one side)

____ 2" Roller Complete Door-UDI Format: (Hinges shipped loose on both sides with all tracking and operator assembly)

____ 1" Roller Complete Door-UDI Format: (Hinges shipped loose on one side with all tracking and operator assembly)

Options for PolyTrak Doors Only

____ Side Seals (included if replacement door)

____ White ____ Gray ____ Yellow ____ Red

Options for Wood Doors Only

____ Painted white (the outside side of door only)

____ Side Seals - Type _____

____ Heavy Duty package: 1" Roller doors only (heavy duty bottom fixtures and heavy duty bottom seal)

____ Anti-corrosion package: 1" Roller replacement doors only (stainless steel door rivets and E-coat hinges)

____ Anti-corrosion package: 2" Roller replacement doors only (stainless steel door rivets and E-coat hinges)

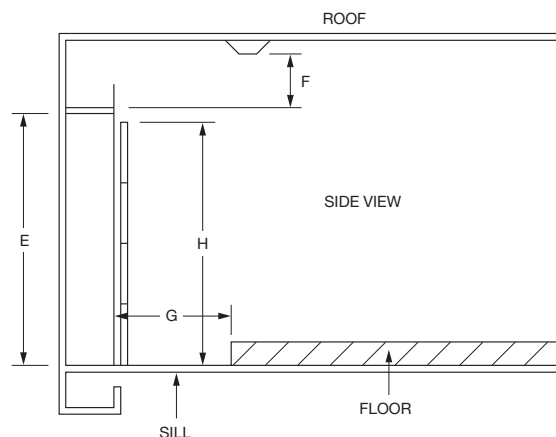
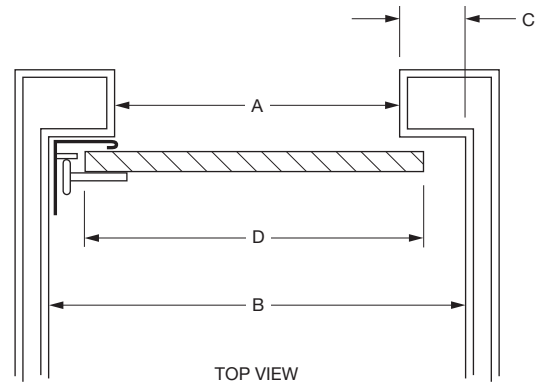
Panels

Unless otherwise specified, Fleet Engineers will determine panel configuration based on size of door.

Conversion Options - All Doors (Optional Item)

____ 2" Width Conversion Kit with 7" header

____ 2" Width Conversion Kit with 9" header



SPECIAL INSTRUCTIONS

NOTICE: Custom doors (non-catalog) are non-returnable and order cannot be cancelled!

Authorized Signature

Must be signed before order can be processed

DOOR SOLUTIONS

ROLL-UP DOOR ORDER FORM

Glossary of Terms

Universal Drop-In Door - Intended to be trimmed to fit. Some components are shipped loose to allow for easy cut down.

Components include: right side (curbside) hinges, top fixture bracket, cable anchor bracket, and lock.

Operator and tracks are not included.

Replacement Door - A fully assembled door with all hinges, hardware and lock attached.

This door is made and assembled to the customer's exact size specifications where the customer does not intend to alter the size. Operator and tracks not included.

Complete Door - A fully assembled door the same as a replacement door with the addition of an operator kit which includes right-hand and left-hand vertical track and angle assemblies, right-hand and left-hand horizontal tracks and an operator assembly.

Right Hand Side - This is the curbside of a trailer or door assembly.

Left Hand Side - This is the roadside of a trailer or door assembly.

Medium Density Plywood - A 3/4" thick, 7-ply, top grade exterior plywood.

General Information for Roll-up Doors

TRACK

- 8" radius 2" track standard on all PrecisionTrak® Flush Mount, PolyTrak®, and ToughTrak® doors
- 6" radius 1" track standard on all PrecisionTrak® Recessed doors
- 107" long horizontal track is used on doors up to 96" high
- 120" long horizontal track is used on doors over 96" high unless specifically requested by the customer

OPERATORS AND COMPONENTS

- Single spring operators are stocked in 89.50" and 96.00" lengths. On complete doors the shaft is cut the same length as the width of the door. The standard operator spring is 60.00" long. A 48.00" spring is used when the height of the door is less than 78.00". A 36.00" spring is used when the height of the door is less than 50.00".
- Operators for doors with 2" rollers (used on all PrecisionTrak® Flush Mount doors, PolyTrak, and ToughTrak) are a dual spring operator assembly. Single spring operators are available if specified by the customer. Operator shafts are stocked in 87.00", 93.00" and 96.00" lengths and come with flattened emboss in center and two cotter pin holes at one end. A 33.00" dual spring operator is used for doors 85.00" to 90.00" in height and 35.00" dual springs are used for doors 91.00" to 114.00" in height.
- Cable used on all doors is a 1/8" 7x19 stainless steel. The length of the cable is determined by the height of the door. The cable length must be no less than 10.00" more than the door height.
- Dual spring cable drums will hold up to 130" cable.

PAINT

- All PrecisionTrak® panels come painted with grey primer as standard.
- High gloss white top coat is available upon request at an additional cost on all wood doors. Door panel and top coat finishes are applied to the outside only.
- Painting is not recommended on PolyTrak® doors.
- ToughTrak® panels are paintable, but are only offered in white enamel finish.

PANELS

- Standard PrecisionTrak® Recessed panel heights are 11.00", 12.00", 13.00", 15.00" and 18.00". Special panel heights are available upon request. The most popular bottom panel is 15.00". The most popular intermediate panel is 15.00", followed by 11.00" or 12.00".
- Standard PrecisionTrak® Flush Mount panel heights are 11.50" and 15.50". Special panel heights are available upon request.
- Standard ToughTrak® panel heights are 12.00" and 15.00". Special panel heights available upon request.
- Standard PolyTrak® panel heights 12.00" and 15.00".
- Unless otherwise specified, doors are assembled with smaller panels at the top and larger panels at the bottom to make the door easier to open.
- Listed are common door heights and standard panel size combinations.

Door Height and Panel Size

PolyTrak® Doors

Door Height	Bottom Panel	Intermediate Panels	Top Panel
75"	15.00"	(4) 12.00"	12.00"
80"	15.00"	(2) 15.00"	(2) 12.00"
85"	15.00"	(4) 15.00"	10.00"
90"	15.00"	(4) 15.00"	15.00"
95"	15.00"	(3) 15.00"	(2) 12.00"
96"	15.00"	(3) 15.00"	(2) 12.00"
100"	15.00"	(5) 15.00"	10.00"
105"	15.00"	(5) 15.00"	15.00"
110"	15.00"	(4) 15.00"	(2) 12.00"
114"	15.00"	(5) 15.00"	(1) 12.00"

ToughTrak® Doors

75"	15.00"	(4) 12.00"	12.00"
80"	15.00"	(2) 15.00"	(2) 12.00"
85"	15.00"	(4) 15.00"	10.00"
90"	15.00"	(4) 15.00"	15.00"
95"	15.00"	(3) 15.00"	(2) 12.00"
96"	15.00"	(3) 15.00"	(2) 12.00"
100"	15.00"	(5) 15.00"	10.00"
105"	15.00"	(5) 15.00"	15.00"
110"	15.00"	(4) 15.00"	(2) 12.00"
114"	15.00"	(5) 15.00"	(1) 12.00"

PrecisionTrak® Recessed Doors

75"	15.00"	(4) 12"	12.00"
80"	15.00"	(2) 15"	(2) 12.00"
85"	12.00"	(4) 15"	13.00"
90"	15.00"	(4) 15"	15.00"
95"	15.00"	(2) 15"	(3) 12.00"
96"	15.00"	(3) 15"	(2) 12.00"
100"	15.00"	(5) 15"	10.00"
105"	15.00"	(5) 15"	15.00"
110"	15.00"	(3) 15"	(3) 12.00"
114"	15.00"	(4) 15"	(2) 12.00"

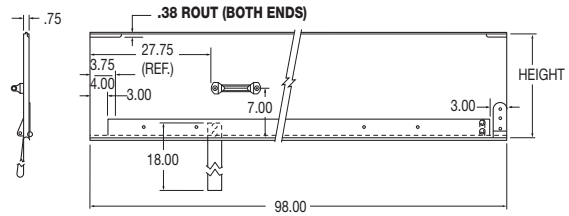
PrecisionTrak® Flushmount Doors

75"	15.50"	(3) 15.50"	13.00"
80"	15.50"	(2) 15.50"	(2) 11.50"
85"	15.50"	(3) 15.50"	(1) 11.50"
90"	15.50"	(4) 15.50"	12.50"
95"	15.50"	(3) 15.50"	(2) 11.50"
96"	15.50"	(3) 15.50"	(2) 11.50"
100"	15.50"	(4) 15.50"	(1) 11.50"
105"	15.50"	(5) 15.50"	12.00"
110"	15.50"	(3) 15.50"	(3) 11.50"
114"	15.50"	(4) 15.50"	(2) 11.50"

98" Bottom Panels for PrecisionTrak® Recessed 1" Roller Wood Doors

FEATURES

- These panels are cut to an extra wide width to fit wider vehicle applications.
- Interlocking tongue and groove design for weather-tight joint and proper panel alignment.
- Panels are routed and shipped without holes unless specified
- .75" thick, 7 ply, exterior grade, medium density plywood
- Primer finish



ORDER DETAILS

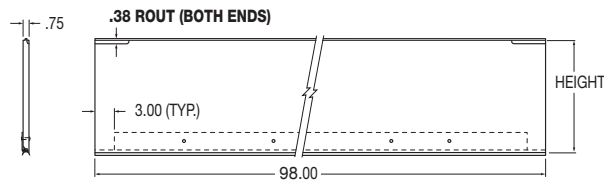
- High gloss white finish coat available upon request (when ordering, substitute letter **CW** in place of dash - example: 026CW14221)
- Standard panel width may vary from 97.00" to 98.00"
- Other panel widths available upon request
- Bottom panels include 18.00" pull strap assembly, two bottom fixtures, standard lift handle, two cable anchor brackets, seal, and retainer (curbside hardware shipped loose)



BOTTOM PANELS WITH HARDWARE

part no.	weight (lbs.)	pop. code	height x width (in.)
026-14221	26.78	B	11.00 x 98.00
026-14222	27.82	B	12.00 x 98.00
026-14223	29.86	B	13.00 x 98.00
026-14225	31.96	B	15.00 x 98.00
026-142255	32.00	B	15.50 x 98.00

98" BOTTOM PANELS WITH SEAL AND RETAINER ONLY FOR PRECISIONTRAK® RECESSED 1" ROLLER DOORS



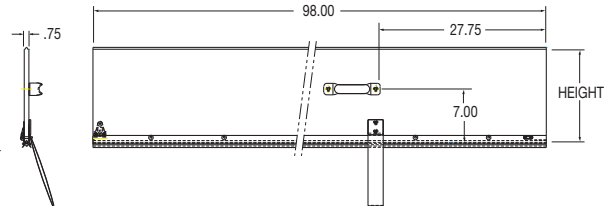
part no.	weight (lbs.)	pop. code	height x width (in.)
026-14321	24.90	B	11.00 x 98.00
026-14322	25.94	B	12.00 x 98.00
026-14323	27.99	B	13.00 x 98.00
026-14325	30.08	B	15.00 x 98.00
026-143255	30.58	B	15.50 x 98.00



98" Bottom Panels for PrecisionTrak® Flush Mount 2" Roller Wood Doors

FEATURES

- These panels are cut to an extra wide width to fit wider vehicle applications.
- Interlocking tongue and groove design for weather-tight joint and proper panel alignment.
- Panels have no routs and shipped without holes unless specified
- .75" thick, 7 ply, exterior grade, medium density plywood
- Primer finish



ORDER DETAILS

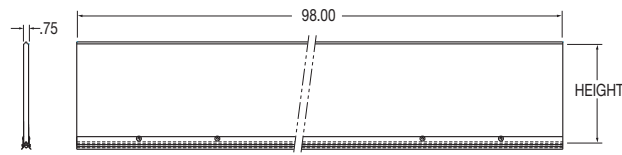
- High gloss white finish coat available upon request (when ordering, substitute letter **CW** in place of dash - example: 026CW14221)
- Standard panel width may vary from 97.00" to 98.00"
- Other panel widths available upon request
- Panels include 18.00" pull strap assembly, two bottom roller shaft covers and stud plates, standard lift handle, two u-bolts, flexible PVC bottom seal and aluminum seal retainer (curbside hardware shipped loose)



BOTTOM PANELS WITH HARDWARE

part no.	weight (lbs.)	pop. code	height x width (in.)
026-94221	26.78	B	11.00 x 98.00
026-94222	27.82	B	12.00 x 98.00
026-94223	29.86	B	13.00 x 98.00
026-94225	31.96	B	15.00 x 98.00
026-942255	32.00	B	15.50 x 98.00

98" BOTTOM PANELS WITH SEAL AND RETAINER ONLY FOR PRECISIONTRAK® FLUSH MOUNT 2" ROLLER DOORS



part no.	weight (lbs.)	pop. code	height x width (in.)
026-94321	24.90	B	11.00 x 98.00
026-94322	25.94	B	12.00 x 98.00
026-94323	27.99	B	13.00 x 98.00
026-94325	30.08	B	15.00 x 98.00
026-943255	30.58	B	15.50 x 98.00



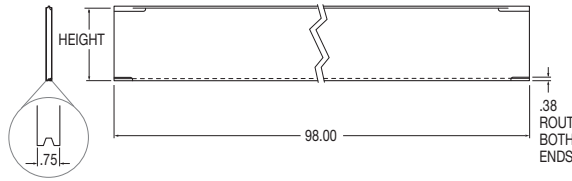
98" Intermediate Panels for PrecisionTrak® Doors

APPLICATION

- Panels cut extra wide for wider vehicles.

FEATURES

- Interlocking tongue and groove design for weather-tight joint and proper panel alignment.
- .75" thick, 7 ply, exterior grade, medium density plywood
- Primer finish



Routed style shown for recessed 1" roller doors

ORDER DETAILS

- High gloss white finish coat available upon request (when ordering, substitute letter **CW** in place of dash - example: 026CW14221)
- Standard panel width may vary from 97.00" to 98.00"
- Other panel widths available upon request

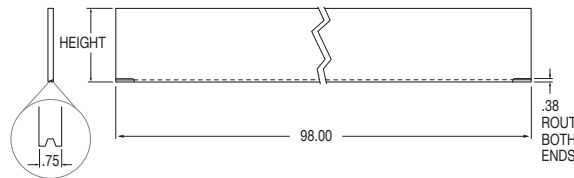
INTERMEDIATE PANELS

ROUTED 1" roller part no.	NON-ROUTED 2" roller part no.	wt. (lbs.)	pop. code	height x width (in.)
026-14521	026-94521	16.52	B	11.00 x 98.00
	026-945215	17.00	B	11.50 x 98.00
026-14522	026-94522	17.56	B	12.00 x 98.00
026-14523	026-94523	19.61	B	13.00 x 98.00
026-14525	026-94525	21.71	B	15.00 x 98.00
026-145255	026-945255	22.50	B	15.50 x 98.00

98" Top Panels for PrecisionTrak® Doors

FEATURES

- These panels are cut to an extra wide width to fit wider vehicle applications.
- Interlocking tongue and groove design for weather-tight joint and proper panel alignment.
- .75" thick, 7 ply, exterior grade, medium density plywood
- Primer finish



Routed style shown for recessed 1" roller doors

ORDER DETAILS

- High gloss white finish coat available upon request (when ordering, substitute letter **CW** in place of dash - example: 026CW14221)
- Standard panel width may vary from 97.00" to 98.00"
- Other panel widths available upon request

TOP PANELS

ROUTED 1" roller part no.	NON-ROUTED 2" roller part no.	wt. (lbs.)	pop. code	height x width (in.)
026-14621	026-94621	16.52	B	11.00 x 98.00
026-14622	026-94622	17.56	B	12.00 x 98.00
026-14623	026-94623	19.61	B	13.00 x 98.00
026-14625	026-94625	21.71	B	15.00 x 98.00
026-146255	026-946255	22.50	B	15.50 x 98.00

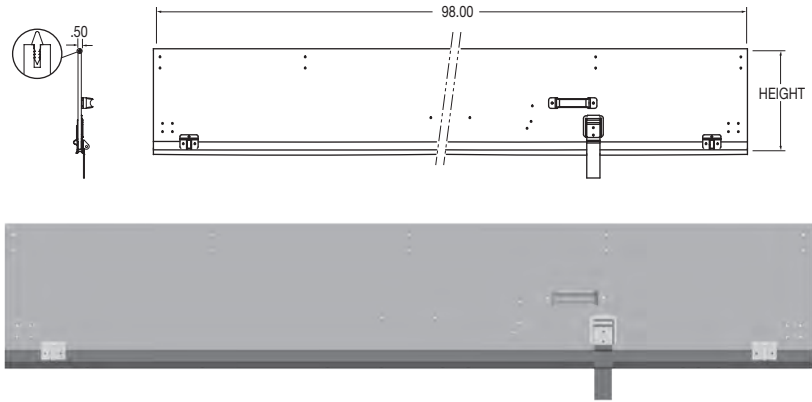
98" Bottom Panels for ToughTrak® 1/2" Composite Doors

FEATURES

- These panels are cut to an extra wide width to fit wider vehicle applications.
- Interlocking tongue and groove design for weather-tight joint and proper panel alignment.
- 1/2" thick composite panels with high density polyethylene core
- Baked on white enamel finish

ORDER DETAILS

- Standard panel width may vary from 97.00" to 98.00"
- Other panel widths available upon request



BOTTOM PANELS WITH HARDWARE

part no.	weight (lbs.)	pop. code	height x width (in.)
030-94221	24.70	B	11.00 x 98.00
030-94222	26.45	B	12.00 x 98.00
030-94223	28.20	B	13.00 x 98.00
030-94225	31.71	B	15.00 x 98.00
030-942255	32.59	B	15.50 x 98.00

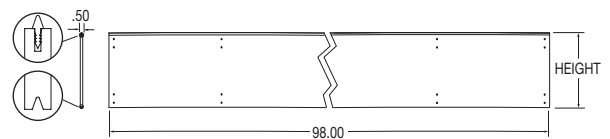
98" Intermediate Panels for ToughTrak® 1/2" Composite Doors

FEATURES

- These panels are cut to an extra wide width to fit wider vehicle applications.
- Interlocking tongue and groove design for weather-tight joint and proper panel alignment.
- 1/2" thick composite panels with high density polyethylene core
- Baked on white enamel finish

ORDER DETAILS

- Standard panel width may vary from 97.00" to 98.00"
- Other panel widths available upon request



part no.	weight (lbs.)	pop. code	height x width (in.)
030-94521	19.30	B	11.00 x 98.00
030-94522	21.05	B	12.00 x 98.00
030-94523	22.80	B	13.00 x 98.00
030-94525	26.31	B	15.00 x 98.00
030-945255	27.19	B	15.50 x 98.00

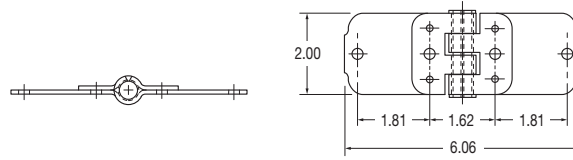
End Hinge for 1" Rollers

APPLICATION

- "Four-knuckled" hinges promote smooth door operation

FEATURES

- Steel construction
- Zinc plated or E-coat finish



SPECIFICATIONS

part no.	weight (lbs.)	pop. code	finish	cross reference
025-10001	.39	A	zinc	T #69035, T #59123, W #4007, 220000
025E10001	.39	B	E-coat	T #69035, T #59123, W #4007

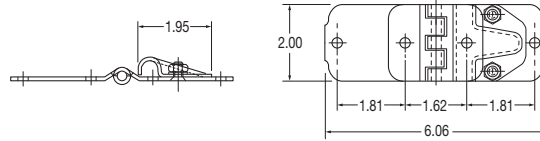
End Hinge with Removable Cover for 1" Rollers

APPLICATION

- Removable cover allows roller change without complete hinge removal

FEATURES

- Steel construction
- Black E-coat finish



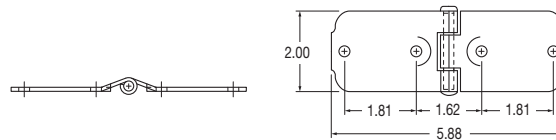
SPECIFICATIONS

part no.	weight (lbs.)	pop. code	finish	cross reference
025E10324	.46	A	E-coat	T #70311
025E10320	.110	B	E-coat	

Center Hinge for PrecisionTrak® Recessed 1" Roller Doors

FEATURES

- Steel construction
- Zinc plated or E-coat finish



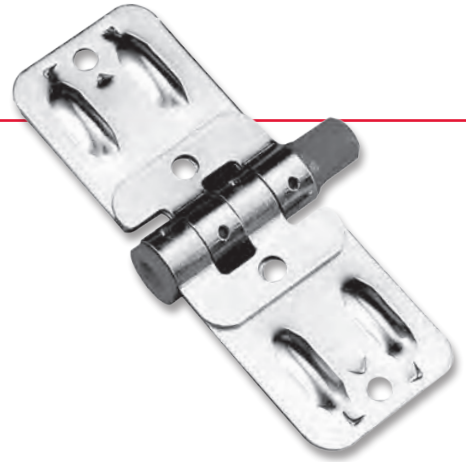
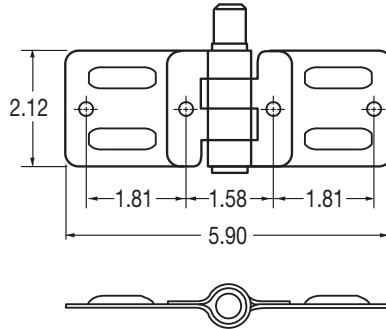
SPECIFICATIONS

part no.	weight (lbs.)	pop. code	finish	cross reference
025-10050	.31	A	zinc	T #61196, T #59126, W #4012, 220100
025E10050	.31	B	E-coat	

Spring Loaded Self-Centering End Hinge for PrecisionTrak® Recessed 1" Roller Doors

APPLICATION

- The self-centering hinge system acts as a mini shock absorber. The spring adjusts the roller to the movement of the vehicle and compensates for road conditions creating a smoother ride for the door and prolonging door system life



U.S. Patent # 6,081,966
CAN. Patent # 2,289,825

FEATURES

- The composite bushing contains an internal compression spring which maintains a constant pressure on the roller and assists in centering and squaring the door during daily operation
- The spring loaded composite bushing minimizes racking of the door and also keeps the hinge movement working freely
- Heavy-duty steel construction and durable composite bushing for long life
- Interchangeable with traditional end hinges (hinge location may need adjustment depending on edge of door to track dimensions for proper spring movement. Consult the factory for specific application requirements)

SPECIFICATIONS

part no.	weight (lbs.)	pop. code	finish
025-10011	.44	A	zinc

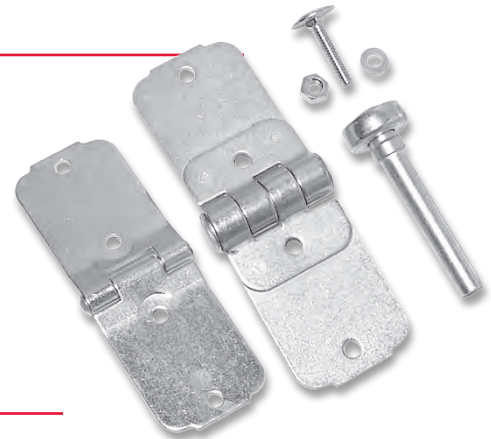
Replacement Hardware Set for 1" Roller Doors

FEATURES

- Zinc plated finish

ORDER DETAILS

- Packaged set consists of two 1" door rollers, two end hinges, two center hinges, and hardware (sixteen nuts, sixteen washers, and sixteen bolts)



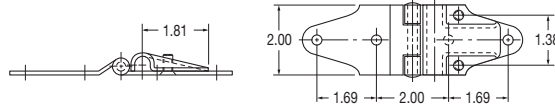
SPECIFICATIONS

part no.	weight (lbs.)	pop. code	description
025-60006	2.25	A	replacement hardware package set

End Hinge and Roller Cover for 2" Rollers

FEATURES

- Steel construction
- E-coat finish
- Removable cover allows roller change without hinge removal



SPECIFICATIONS

part no.	wt, (lbs.)	pop.code	description	finish	cross reference
992-01100	.01	A	1/4"-20 kep nut	zinc	W #10-1022-1, T #80352
025E10002	.48	B	hinge, roller cover and kep nuts	E-coat	W #1209, T #70162
025E10003	.14	C	cover only	E-coat	W #1208, T #70161
025E10004	.32	C	hinge only	E-coat	W #1207, T #70160
025-11112	.48	A	heavy-duty hinge, roller cover and kep nuts	E-coat/ powder coat	
025-10009	.49	A	hinge, roller cover and kep nuts	stainless steel	W #1209-1ASM
025-10286	.14	C	cover only	stainless steel	W #1208-1
992-00701	.01	A	1/4"-20 kep nut	stainless steel	W #10-1022-1, T #80352

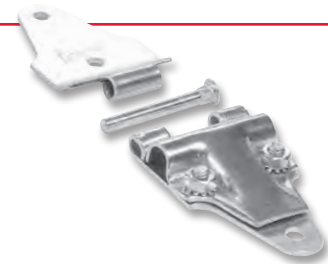
End Hinge With Removable Pin for 2" Rollers

FEATURES

- Easier to assemble two halves of a door or to replace panels
- Steel construction
- E-coat finish

ORDER DETAILS

- Hinge packaged set consists of two hinge halves and one knurled pin



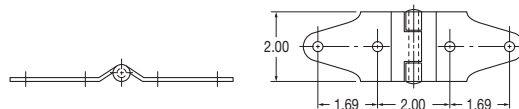
SPECIFICATIONS

part no.	weight (lbs.)	pop. code	description	qty	finish
025E10005	.48	B	hinge packaged set	1	E-coat
025-60007	1.46	A	pin packaged set	50	zinc

Center Hinge for Flush Mount 2" Roller Doors

FEATURES

- Steel construction
- E-coat, stainless steel or heavy-duty E-coat/powder coat finish



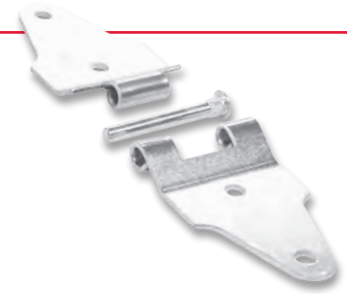
SPECIFICATIONS

part no.	weight (lbs.)	pop. code	finish	cross reference
025E10051	.29	B	E-coat	W #15, T #70159
025-10052	.30	A	stainless steel	W #15-1
025-11104	.29	A	heavy-duty E-coat/powder coat	-

Unassembled Center Hinge With Removable Pin for Flush Mount 2" Roller Doors

FEATURES

- Easier to assemble two halves of a door or to replace panels
- Steel construction
- Zinc plated or E-coat finish
- Pin packaged set consist of quantity of 50



ORDER DETAILS

- Hinge packaged set consists of two hinge halves and one knurled pin

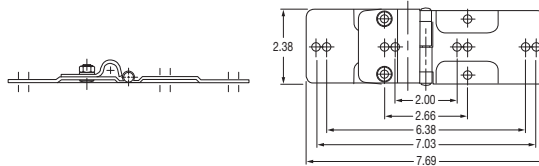
SPECIFICATIONS

part no.	weight (lbs.)	pop. code	description	finish
025E10071	.29	B	hinge packaged set	E-coat
025-60007	1.46	A	pin packaged set (qty. 50)	zinc

Universal Flush Mount End Hinge

FEATURES

- Eliminates routing of panels for easier installation
- Removable cover allows roller change without hinge removal
- Steel construction
- Zinc plated finish



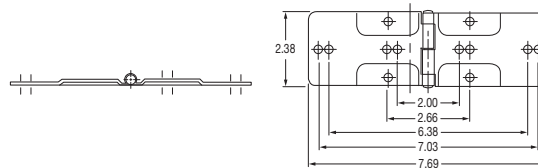
SPECIFICATIONS

part no.	weight (lbs.)	pop. code	description	cross reference
025-10275	.64	A	hinge, roller cover and kep nuts	H-325716
025-10279	.16	C	cover only	H-425331
025-10278	.47	C	base only	
992-00001	.01	A	1/4" hex nut	
993-00721	.01	A	1/4" split lock washer	

Universal Flush Mount Center Hinge

FEATURES

- Eliminates routing of panels for easier installation
- Steel construction
- Zinc plated finish



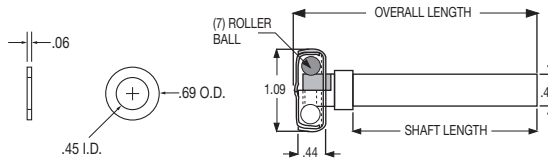
SPECIFICATIONS

part no.	weight (lbs.)	pop. code	cross reference
025-10276	.46	A	H-325709

1.00" Door Roller

FEATURES

- Steel construction, zinc plated finish
- Hardened shaft and raceways
- Seven roller ball design
- Washers used as spacers to keep door alignment square with track



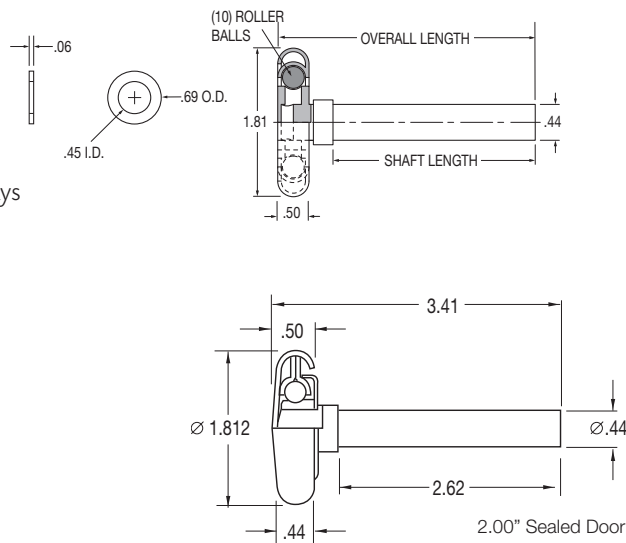
SPECIFICATIONS

part no.	weight (lbs.)	pop. code	description	overall length (in.)	shaft length	box qty.	cross reference
025-10100	.21	A	steel roller	3.25	2.50	1	T #61174, T #69162, W #4026, W #4027, 291000
025-10100-25	10.50	A	steel roller bulk pack	3.25	2.50	25	T #61174, T #69162, W #4026, W #4027, 291000
025-10105	.25	B	roller w/longer shaft	4.09	3.25	1	
025-10109	.30	A	steel roller w/ 5" shaft	5.84	5.00	1	
993-00240-100	.01	A	steel spacer washer bulk pack			100	T #80020, W #6, 140100

2.00" Door Rollers

FEATURES

- Rollers available with steel or nylon construction
- Shaft available in zinc, stainless steel or unplated
- Hardened shaft and raceways
- Ten roller ball design
- Washers used as spacers to keep door alignment square with track
- Long stem roller has a staked collar design versus machined collar on others



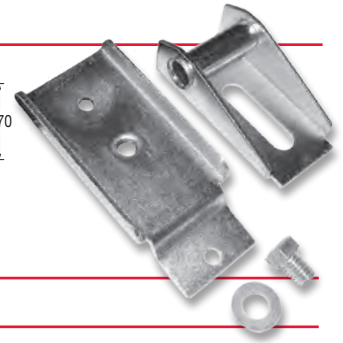
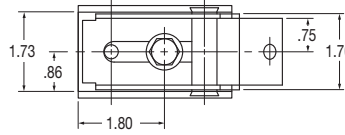
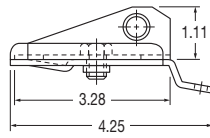
SPECIFICATIONS

part no.	weight (lbs.)	pop. code	description	shaft finish	overall length	shaft length	box qty.	cross reference
025-10101	.27	A	nylon roller	zinc plated	3.75	3.00	1	W #3228, T #61424, T #70225
025-10101-25	12.75	A	nylon roller bulk pack	zinc plated	3.75	3.00	25	W #3228, T #61424, T #70225
025-10106	.27	A	nylon roller	zinc plated	4.20	3.50	1	
025-90042	.35	A	nylon roller	zinc plated	8.70	8.00	1	
025-10102	.32	A	steel roller	zinc plated	3.75	3.00	1	W #2996, T #70224
025-10102-25	16.00	A	steel roller bulk pack	zinc plated	3.75	3.00	25	W #2996, T #70224
025-10103	.31	A	sealed steel roller	zinc plated	3.41	2.62	1	-
025-10104	.27	A	nylon roller	stainless	4.20	3.50	1	
025-10113	.48	A	steel roller-long stem	unplated	7.50	6.50	1	
993-00240-100	.01	A	steel spacer washer bulk pack		N/A	N/A	100	T #80020, 140100, W #6

Top Fixture Bracket Assembly for Recessed 1" Roller Door

FEATURES

- Steel construction
- Zinc plated or black E-coat finish
- Heavy-duty design
- Hardware includes bolt and washer



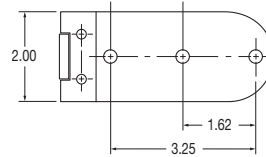
SPECIFICATIONS

part no.	st. (lbs.)	pop. code	description	finish	cross reference
025-10200	.66	A	base, slide, and hardware assy.	zinc	T #69433, W #4039
025-10201	.44	C	base plate only	zinc	T #69432, W #4051, 210100
025-10202	.23	C	slide only	zinc	T #69431, W #4038, 210200
991-00126	.02	A	3/8" hex head bolt	zinc	T #89049, W #10-1073-2, 100100
993-00004	.01	A	3/8" washer	zinc	T #80302, T #2436, 100010
025E10200	.66	B	base, slide, & hardware assy.	E-coat	
025E10201	.44	C	base plate only	E-coat	
025E10202	.23	C	slide only	E-coat	

Bottom Fixture for Recessed 1" Roller Door

FEATURES

- Steel construction
- Zinc plated or black E-coat finish



SPECIFICATIONS

part no.	weight (lbs.)	pop. code	finish	cross reference
025-10250	.41	A	zinc	T #69249, T #61352, W #4003, 230000
025E10250	.41	B	E-coat	

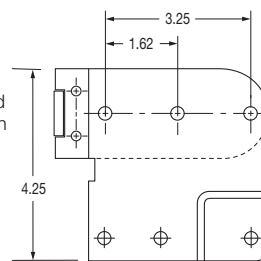
Heavy-Duty Bottom Fixtures

FEATURES

- Optional on PrecisionTrak® Recessed 1" Roller Door
- Adds extra support and strength to lower panel corners utilizing a wider support design and additional fasteners
- Steel construction
- Zinc plated or E-coat finish
- Extra strength for heavy-duty use



Left-hand illustration



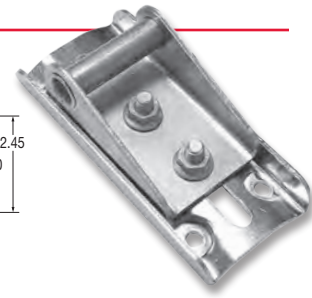
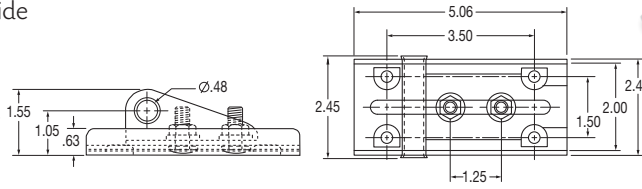
SPECIFICATIONS

part no.	weight (lbs.)	pop. code	description	finish	cross reference
025-10260	.78	A	left (roadside)	zinc	T #69964-2, W #4115
025-10261	.78	A	right (curbside)	zinc	T #69964-1, W #4114
025E10260	.78	B	left (roadside)	E-coat	
025E10261	.78	B	right (curbside)	E-coat	

Top Closure Plate and Slide (New Style) for ToughTrak®, PolyTrak® and Flush Mount 2" Roller Doors

FEATURES

- Improved heavy-duty reinforced slide
- Adjusts top panel for firm seal
- Steel construction
- Black E-coat, Black E-coat/Powder coat or stainless steel finish



ORDER DETAILS

- Hardware includes bolt and flanged nut

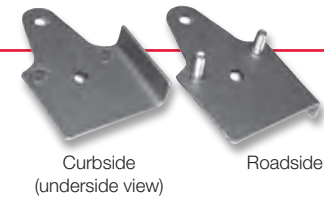
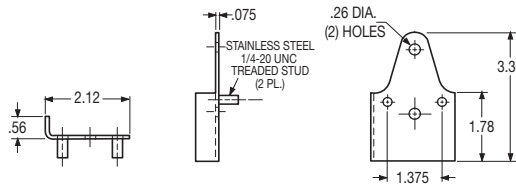
SPECIFICATIONS

part no.	wt. (lbs.)	pop. code	description	finish	cross reference
025E10220	.60	B	base plate, slide, and hardware asm.	E-coat	W #6944
025-10225	.75	A	base plate, slide, and hardware asm.	stainless steel	W #6944-1
025-10305	.75	A	base plate, slide, and hardware asm.	E-coat/powder coat	W #6944
991-00609	.02	A	5/16" carriage bolt		W #2370
992-01101	.01	A	5/16" flanged lock nut		W #10-1063-1

Heavy-Duty Stud Plate (2 Studs) for ToughTrak®, PolyTrak® and Flush Mount 2" Roller Doors

FEATURES

- Stainless steel construction
- Use with 2-stud cover 025-10286
- Lip fits over panel edge, which gives added support



SPECIFICATIONS

part no.	weight (lbs.)	pop. code	description
025-10288	.15	A	right (curbside)
025-10289	.15	A	left (roadside)

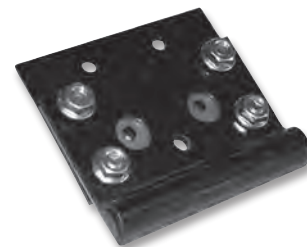
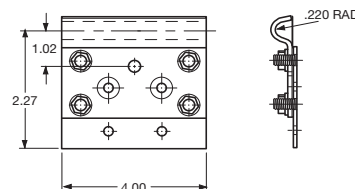
Reefer Bottom Roller Bracket Assembly

FEATURES

- Steel construction
- Black E-coat finish
- Stainless steel studs and nuts

ORDER DETAILS

- Consists of roller clamp, wear plate, stud plate, and 5/16" lock nuts



SPECIFICATIONS

part no.	weight (lbs.)	pop. code	cross reference
025-60652	.88	A	5600

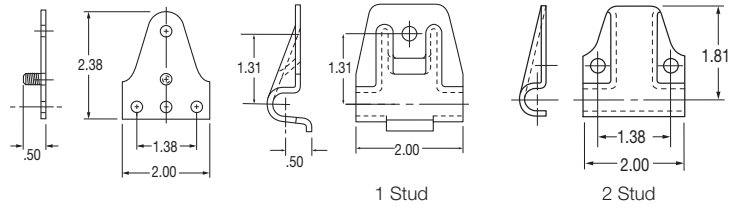
Bottom Roller Shaft Cover and Stud Plate for ToughTrak®, PolyTrak® and Flush Mount 2" Roller Doors (1 Stud or 2 Stud)

APPLICATION

- Attaches to bottom panel for roller support

FEATURES

- Steel construction
- E-coat or stainless steel finish



BOTTOM ROLLER SHAFT COVER AND STUD PLATE (1 STUD)

part no.	weight (lbs.)	pop. code	description	finish	cross reference
992-01100	.01	A	1/4"-20 kep nut	zinc	W #10-1022-1
025E10270	.19	B	shaft cover	E-coat	W #1021
025E10271	.09	B	stud plate	E-coat	W #1370
025-10284	.19	A	shaft cover	stainless steel	-
025-10285	.09	A	stud plate	stainless steel	-
992-00701	.01	A	1/4"-20 kep nut	stainless steel	W #10-1022-6



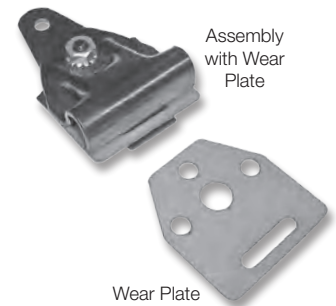
BOTTOM ROLLER SHAFT COVER AND STUD PLATE (2 STUD)

part no.	weight (lbs.)	pop. code	description	finish	cross reference
992-01100	.01	A	1/4"-20 kep nut	zinc	W #10-1022-1
025E10003	.14	C	shaft cover	E-coat	W #1208, T #70161
025E10272	.09	B	stud plate	E-coat	W #2032
025-10286	.14	C	shaft cover	stainless steel	W #1208-1
025-10287	.09	C	stud plate	stainless steel	-
992-00701	.01	A	1/4"-20 kep nut	stainless steel	W #10-1022-6



BOTTOM ROLLER ASSEMBLY WITH STAINLESS STEEL HARDWARE

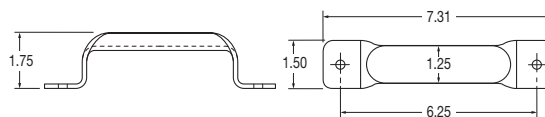
part no.	weight (lbs.)	pop. code	description	finish	cross reference
025E90041	.30	A	assembly	E-coat	1371A
025-90040	.001	A	wear plate	stainless steel	5726



Heavy-Duty Lift Handle

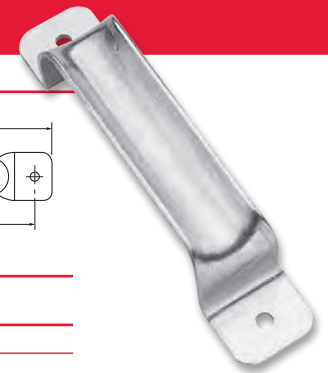
FEATURES

- Heavy-duty, wide grip design
- Zinc plated, powder coated, or black E-coat finish



SPECIFICATIONS

part no.	weight (lbs.)	pop. code	finish	cross reference
025-10311	.50	A	zinc	T #61401, W #1715, 250000
025-10330	.50	A	E-coat/powder coat	T #61401, W #1715, 250000
025E10311	.50	B	E-coat	



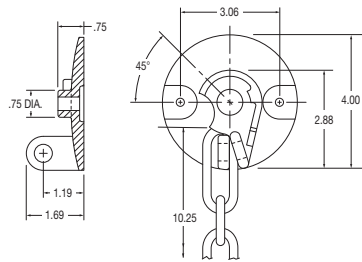
Safety Chain Keeper

APPLICATION

- Adds additional security to your door

FEATURES

- Spring loaded cast steel
- Zinc plated finish



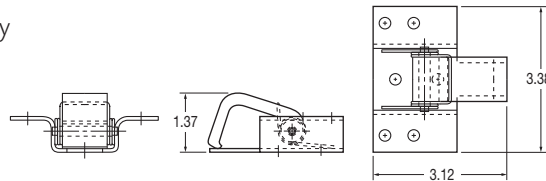
SPECIFICATIONS

part no.	weight (lbs.)	pop. code	description	cross reference
025-10600	2.25	A	bulk kit - keeper and chain	T #69020 and W #4132
025-10601	1.75	A	keeper only	T #61223 and W #4110
025-10602	.50	A	zinc chain only	T #61229 and W #4126

Shelf Latch Assembly

APPLICATION

- Spring assisted to hold parcel delivery shelves in upright position
- Installs flush into sidewall ribs



SPECIFICATIONS

part no.	weight (lbs.)	pop. code	description	construction
025-60200	.50	A	shelf latch assembly	galvanized steel
995-00401	.01	A	latch spring only	stainless steel
994-00500	.02	A	latch pin only	plain steel

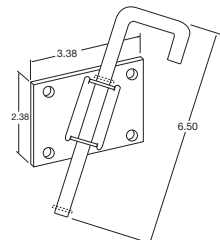
Gravity Feed Shelf Latch Assembly

APPLICATION

- Gravity assisted to hold parcel delivery shelves in upright position

FEATURES

- Installs flush into sidewall ribs



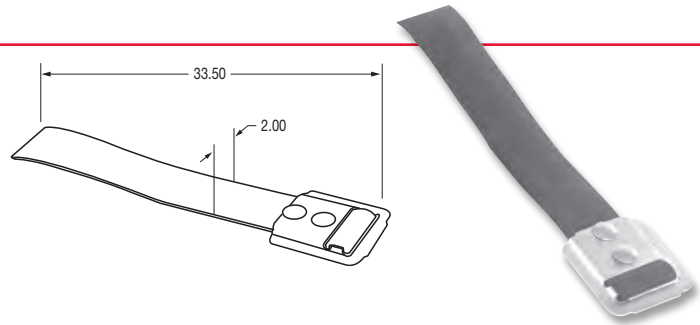
SPECIFICATIONS

part no.	weight (lbs.)	pop. code	finish
025-60206	.43	A	zinc plated

Pull Strap Assemblies

FEATURES

- Durable **2.00" wide**, black nylon construction for added strength and durability
- Custom lengths available
- Assemblies available with 025-10331, 025-10432, or 025E10432 H.D. pull strap retainer (below)



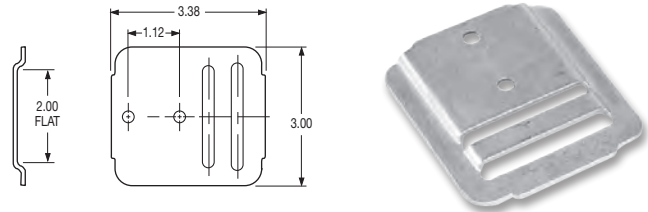
SPECIFICATIONS

part no.	weight (lbs.)	pop. code	description	retainer finish	rivets finish	cross reference
025-10402	.31	A	15.50" assembly	zinc		257000
025-10403	.38	A	29.50" assembly	zinc		
025E10402	.31	B	15.50" assembly	E-coat		
025E10403	.38	B	29.50" assembly	E-coat		
025-10334	.38	A	33.50" assembly	E-coat/powdercoat	zinc	
025-10335	.31	A	33.50" assembly	E-coat/powdercoat	stainless steel	
025-10420	.10	A	18" strap only			T #80844, W #4140
025-10421	.15	A	32" strap only			

Heavy-Duty Pull Strap Retainer

FEATURES

- 3.00" x 3.00" construction
- Zinc plated, black E-coat or white finish
- Standard retainer used on all roll-up doors and bottom panels with pull straps



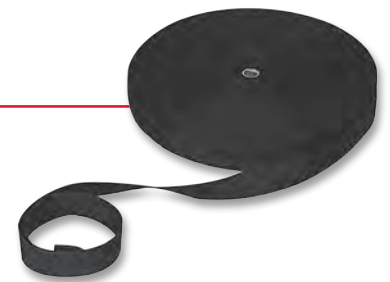
SPECIFICATIONS

part no.	weight (lbs.)	pop. code	finish	cross reference
025-10331	.21	A	E-coat/powder coat	T #69832, W#4040
025-10432	.21	A	zinc	T #69832, W#4040
025E10432	.21	B	E-coat	

Nylon Belting (100 Yard Roll)

FEATURES

- 2.00" wide black nylon construction for added strength and durability



SPECIFICATIONS

part no.	weight (lbs.)	pop. code
025-10430	7.80	A

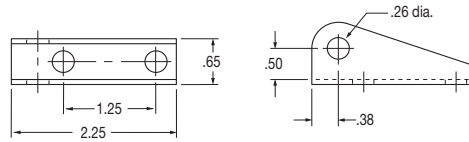
Cable Anchor Bracket

APPLICATION

- Allows proper rotation of cable head

FEATURES

- Steel construction
- Zinc plated or black E-coat finish



SPECIFICATIONS

part no.	wt. (lbs.)	pop. code	description	finish	cross reference
025-10300	.080	A	bracket	zinc	T #61204, W #4004, 240000
994-00002	.010	A	1/4" clevis pin	zinc	T #61026, W #10-1004-2, 240100
994-00105	.003	A	cotter pin	zinc	T #80401-316, W #10-1009-5, 120000
025E10300	.080	B	bracket	black	-

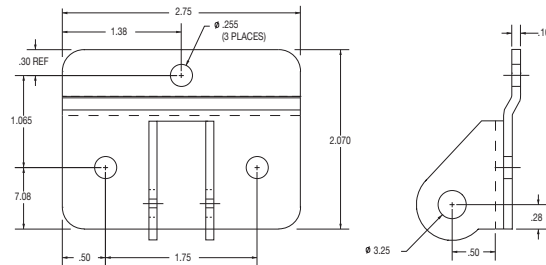
Heavy-Duty Cable Anchor Bracket

APPLICATION

- Allows proper rotation of cable head on flush mount 2" roller doors

FEATURES

- Steel construction
- Black E-coat finish



SPECIFICATIONS

part no.	wt. (lbs.)	pop. code	description	finish	cross reference
025-10301	.23	A	bracket	black	W #5803
994-00002	.010	A	1/4" clevis pin	zinc	T #61026, W #10-1004-2, 240100
994-00105	.003	A	cotter pin	zinc	T #80401-316, W #10-1009-5, 120000

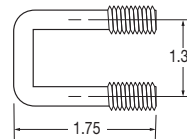
1.75" U-Bolt

APPLICATION

- Attaches cables to flush mount 2" roller doors

FEATURES

- Steel construction
- Zinc plated



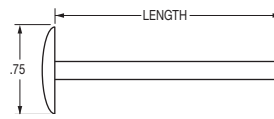
SPECIFICATIONS

part no.	weight (lbs.)	pop. code	description	finish	cross reference
991-00506-50	.06	A	u-bolt (pkg. of 50)	zinc plated	W #70-5
992-00005	.02	A	5/16" nut	zinc plated	W #10-1033-2, #80352-518

Rivets

FEATURES

- Zinc plated steel and stainless steel construction
- Round head design



SPECIFICATIONS

part no.	wt. (lbs.)	pop. code	length (in.)	construction	box qty.	cross reference
995-00111-400	.02	A	1.00	zinc plated steel	400	T #89210-0032, W #80841T, 111000
995-00112-400	.02	A	1.12	zinc plated steel	400	T #89210-0036, W #80842T, 111250
995-00113-400	.02	A	1.25	zinc plated steel	400	T #89210-0040, 112500, 111250
995-00114	.02	A	1.00	stainless steel		T #89217-0032
995-00115	.02	A	1.12	stainless steel		T #89217-0036
995-00116	.02	A	1.25	stainless steel		T #89217-0040

Miscellaneous Hardware

FEATURES

- These standard fasteners hold hardware items to panels
- Use the rib neck carriage bolt with the MSS lock and keeper assembly and hinge installations
- Rib neck carriage bolt allows tamper proof installation with a rivet look and eliminates the nut being installed externally for security
- Zinc plated finish



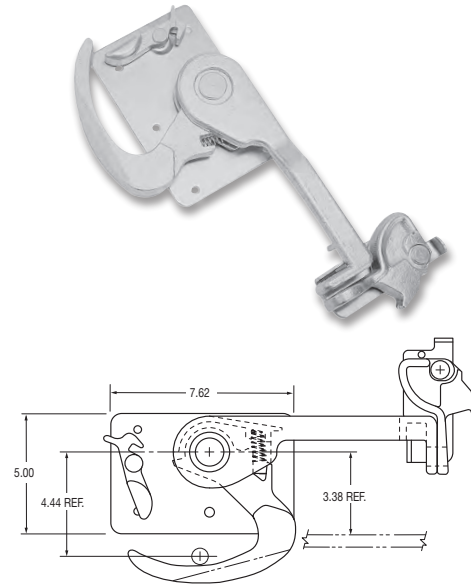
SPECIFICATIONS

part no.	weight pop. (lbs.)	code	box description	qty	cross reference
993-00721	.003	A	1/4" lock washer		T #80322-225, W #10-1046-1, 120500
991-00085	.030	A	1/4" hex bolt 1.75"		T #80105-416
991-00632	.090	A	1/4" -20 x 4.50" step bolt (.75" head)		-
994-00106	.005	A	1/8"-2.5" cotter pin		-
992-00701	.010	A	1/4"-20 kep nut - stainless steel		W #10-1022-6
991-00400-100	.040	A	1/4" -20 x 1.25" step bolt (.75" head)	100	T #80015-1610, 120250
991-00401-100	.040	A	1/4" -20 x 1.50" step bolt (.75" head)	100	T #80015-1610
991-00402-100	.020	A	1/4"-20 x 1.25" rib neck carriage bolt (.56" head)	100	-
991-00506-50		A	1-3/4" long U-bolt	50	W #70-5
991-00630-50	.045	A	1/4" -20 x 3.00" step bolt (.75" head)	50	-
991-00631-50	.060	A	1/4" -20 x 3.50" step bolt (.75" head)	50	-
991-00700-100	.030	A	1/4" -20 x 1.75" elevator bolt (1.00" head)	100	-
992-00001-200	.010	A	1/4"-20 hex nut	200	T #80352-420, 120300
992-01100-200	.010	A	1/4"-20 kep nut - zinc	200	W #10-1022-1
993-00240-100		A	spacer washer	100	T #80020, W #6, 140100
995-00111-400		A	1" steel rivet	400	T #89210-0032, W #80841T, 111000
995-00112-400		A	1-1/8" steel rivet	400	T #89210-0036, W #80842T, 111250
995-00113-400		A	1-1/4" steel rivet	400	T #89210-0040, 112500, 111250

Maximum Strength Steel Lock Assembly for Recessed 1" Roller Doors

FEATURES

- Superior strength, heavy-duty cast grade 30 steel (far more superior than ductile iron).
- Pins are mechanically fastened in place for optimum strength. No welds to fail or plating to burn off and rust
- Extra thick padlock provision designed for greater security
- Trapped handle cannot pull out to bypass keeper resulting in tamper-proof lock
- Spring assisted lock eliminates door bounce
- Stainless steel spring will not rust
- Can be used as a lift handle in open position
- Keeper accommodates padlocks and trailer seals
- Zinc plated or black E-coat enamel finish available
- See 991-00402 special rib neck carriage bolt



SPECIFICATIONS

part no.	wt. (lbs.)	pop. code	description	finish	reference
025-10500	9.68	A	MSS lock assembly packaged set (lock and keeper)	zinc	T #69570
025-10501	8.00	A	lock only	zinc	T #69571, 280000
025-10502	1.68	A	keeper only	zinc	T #69572, 280100
025E10501	8.00	B	lock only	black	-
025E10502	1.68	B	keeper only	black	-

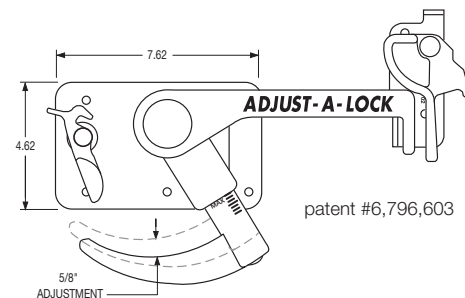
Adjust-A-Lock™ for Recessed 1" Roller Doors

FEATURES

- Lock adjusts as door seal and other components start to wear - eliminates the "bounce" that destroys both doors and trailers
- Eliminates the need to re-drill a bottom panel for lock adjustment
- High quality fasteners for superior strength and corrosion resistance
- Adjusts to anyone's feel, no more prying the lock open or kicking the lock closed
- Makes bottom panel replacement a breeze, especially on older doors and trailers
- 5/8" of vertical adjustment
- Adjustable using standard hex style wrenches
- Zinc plated or black E-coat finish available



ADJUST-A-LOCK



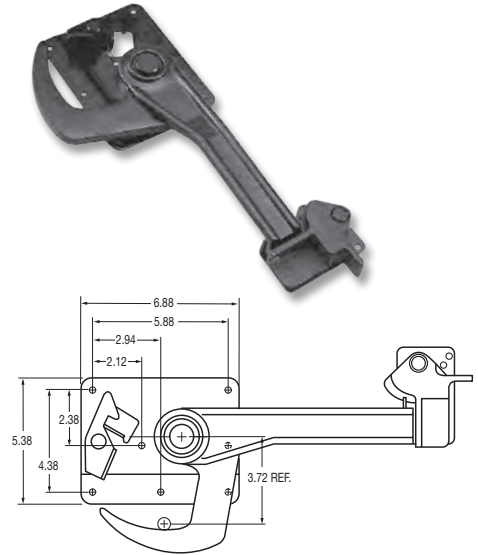
SPECIFICATIONS

part no.	weight (lbs.)	pop. code	description	finish
025-10525	8.20	A	lock only	zinc
025-10502	1.68	A	keeper only	zinc
025E10502	1.68	B	keeper only	black

Cam Lock Assembly and Handle Keeper for Flush Mount 2" Roller Doors

FEATURES

- Cam lock allows one hand operation and easily accommodates padlock or car seal
- Back plate is offset to clear bottom seal retainer
- Spring assisted handle eliminates door bounce
- Steel construction
- Can be used as a lift handle in open position
- Keeper accommodates padlocks and trailer seals
- Black E-coat or black E-coat with black powder coat finish available



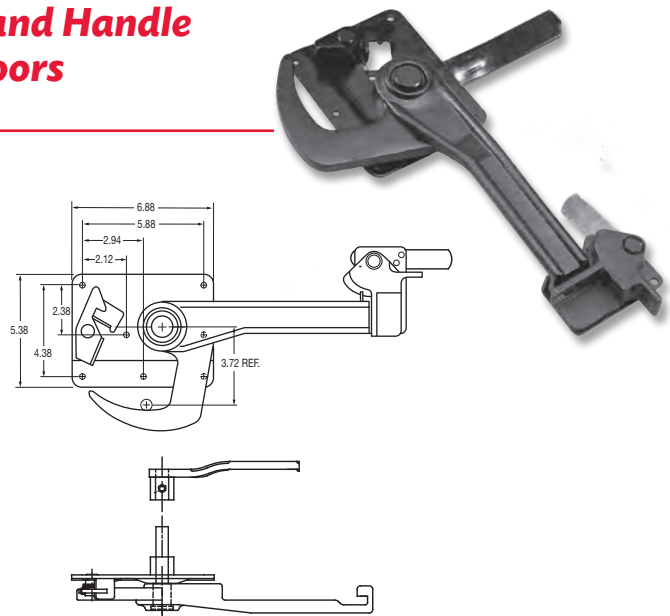
SPECIFICATIONS

part no.	wt. (lbs.)	pop. code	description	finish	cross reference
025-10595	8.90	A	lock assembly packaged set	black E-coat	
025-10332	6.30	A	cam lock handle	black E-coat/powder coat	W #77
025-10333	1.70	A	handle and keeper	black E-coat/powder coat	W #2766
025-10577	6.30	A	cam lock handle	black E-coat	W #77
025-10578	1.70	A	handle keeper	black E-coat	W #2766

Inside Release Cam Lock Assembly and Handle Keeper for Flush Mount 2" Roller Doors

FEATURES

- Can release from the inside of trailer
- Cam lock allows one hand operation and easily accommodates padlock or car seal
- Back plate is offset to clear bottom seal retainer
- Spring assisted handle eliminates door bounce
- Steel construction
- Can be used as a lift handle in open position
- Keeper accommodates padlocks and trailer seals



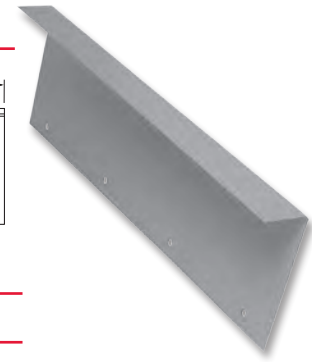
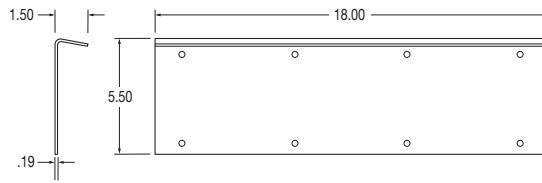
SPECIFICATIONS

part no.	weight (lbs.)	pop. code	description	finish
025-10642	9.23	A	lock and keeper set	black E-coat

Fork Lift Plate

FEATURES

- Allows use of fork lift to open door from truck bay or when loads shift against door
- Steel construction
- Black E-coat finish



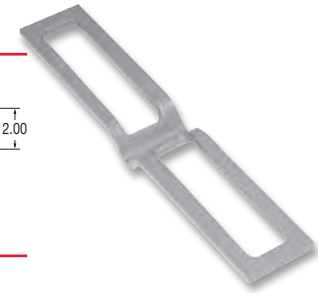
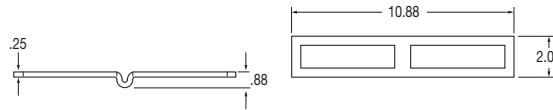
SPECIFICATIONS

part no.	weight (lbs.)	pop. code	cross reference
025-60100	6.34	A	T #69131, W #1092

Latch Plate for Recessed 1" Roller Doors

FEATURES

- Contoured for proper lock engagement
- Steel construction
- Zinc plated finish



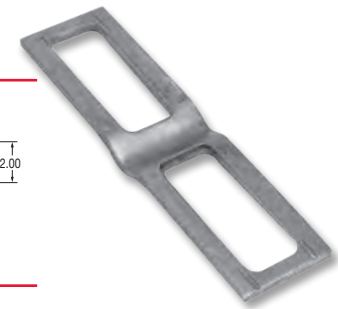
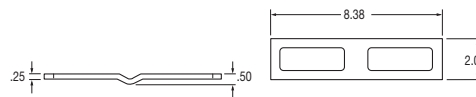
SPECIFICATIONS

part no.	weight (lbs.)	pop. code	cross reference
025-60050	.81	A	T #70093, W #4021, 270700

Latch Plate for Flush Mount 2" Roller Doors

FEATURES

- Contoured for proper lock engagement
- Steel construction
- Plain finish



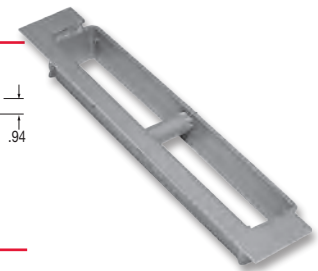
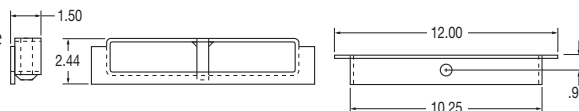
SPECIFICATIONS

part no.	weight (lbs.)	pop. code	cross reference
025-60052	.61	A	W #2804

Catch Box

FEATURES

- Used as an option in place of latch plate
- Heavy-duty steel construction
- Plain finish



SPECIFICATIONS

part no.	weight (lbs.)	pop. code	cross reference
025-60000	2.25	A	T #69341, W #4024

Single Spring Operator Packaged Sets With 1.00" Track

FEATURES

- Single spring with quick, easy counterbalance adjustment
- Includes 1.00" R.H. and L.H. vertical track, 1.00" R.H. and L.H. horizontal track and operator assembly
- Large die cast cable drums are grooved to prevent cables from binding or wearing prematurely
- Optional 52" horizontal track available upon request



SPECIFICATIONS (J-STYLE)

part no.	weight (lbs.)	pop. code	vertical track length (in.)	horizontal track length (in.)	operator shaft length (in.)	fits door sizes
027-80090	79.00	B	96.50	107.00	96.00	72.00-90.00 high
027-80100	84.32	B	106.50	120.00	96.00	91.00-100.00 high
027-80114	89.00	B	120.00	120.00	96.00	101.00-114.00 high

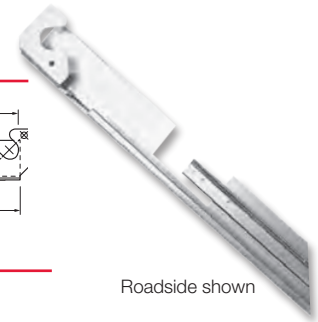
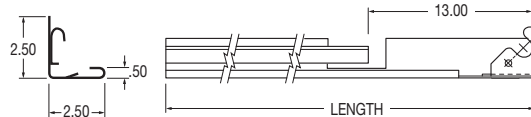
SPECIFICATIONS (RIGHT ANGLE STYLE)

027-81090	74.22	B	96.50	107.00	96.00	72.00-90.00 high
027-81100	79.02	B	106.50	120.00	96.00	91.00-100.00 high
027-81114	83.04	B	120.00	120.00	96.00	101.00-114.00 high

1.00" Vertical Track and Angle Assembly (J Style)

FEATURES

- Galvanized steel 14 gauge construction
- Includes J-style channel mounting angle with track and operator bracket



Roadside shown

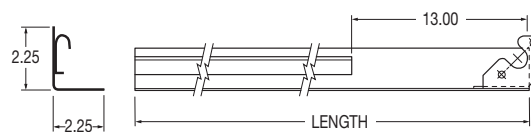
SPECIFICATIONS

part no.	weight (lbs.)	pop. code	description	length (in.)	fits door sizes	cross reference
028-00290	16.00	B	left (roadside)	96.50	72.00-90.00 high	T #49014-2, T #41034-2, W #4045
028-00190	16.00	B	right (curbside)	96.50	72.00-90.00 high	T #49014-1, T #41034-1, W #4046
028-00101	17.66	B	left (roadside)	106.50	91.00-100.00 high	T #49014-2, T #41034-2, W #4045
028-01101	17.66	B	right (curbside)	106.50	91.00-100.00 high	T #49014-1, T #41034-1, W #4046
028-00114	20.00	B	left (roadside)	120.00	101.00-114.00 high	T #49014-2, T #41034-2, W #4045
028-01114	20.00	B	right (curbside)	120.00	101.00-114.00 high	T #49014-1, T #41034-1, W #4046

1.00" Vertical Track and Right Angle Assembly

FEATURES

- Galvanized steel 14 gauge construction
- Includes right angle frame, 1" track and operator bracket



Curbside shown

SPECIFICATIONS

part no.	wt.(lbs.)	pop. code	description	length (in.)	fits door sizes
028-03090	14.21	B	right (curbside)	96.50	72.00-90.00 high
028-03190	14.21	B	left (roadside)	96.50	72.00-90.00 high
028-03101	15.68	B	right (curbside)	106.50	91.00-100.00 high
028-03201	15.68	B	left (roadside)	106.50	91.00-100.00 high
028-03114	17.68	B	right (curbside)	120.00	101.00-114.00 high
028-03214	17.68	B	left (roadside)	120.00	101.00-114.00 high

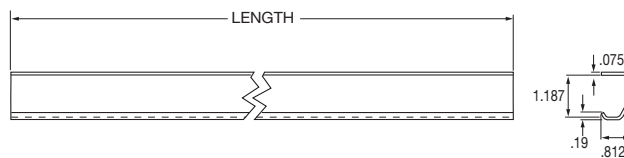
1.00" Vertical Track

APPLICATION

- For use with 1.00" rollers

FEATURES

- Galvanized steel
- 14 gauge construction



SPECIFICATIONS

part no.	weight (lbs.)	pop. code	length (in.)
028-30012	5.14	B	93.50
028-30014	5.82	B	107.00

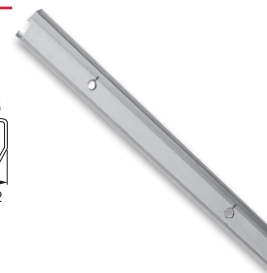
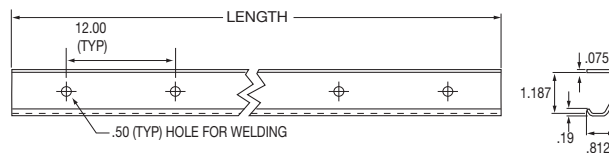
1.00" Vertical Track with Holes

APPLICATION

- For use with 1.00" rollers

FEATURES

- Galvanized steel
- 14 gauge construction
- Holes drilled to allow for faster plug weld installation to frame



SPECIFICATIONS

part no.	weight (lbs.)	pop. code	length (in.)
028-30015	5.14	B	93.50
028-30017	5.82	B	107.00

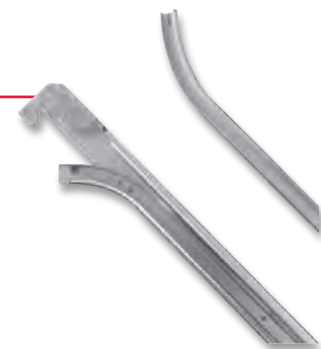
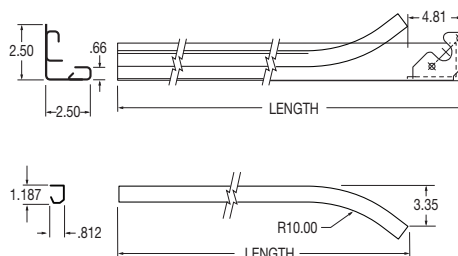
1.00" Split Radius Track

APPLICATION

- For use with 1.00" rollers

FEATURES

- Galvanized steel 14 gauge construction
- 6.00" radius for smooth door operation
- Track coupler used for proper alignment at track joints



SPECIFICATIONS

part no.	wt. (lbs.)	pop. code	description	length (in.)
028-33035	25.00	B	subassembly for left (roadside)	96.50
028-33036	25.00	B	subassembly for right (curbside)	96.50
028-33037	26.66	B	subassembly for left (roadside)	106.50
028-33038	26.66	B	subassembly for right (curbside)	106.50
028-33039	29.00	B	subassembly for left (roadside)	120.00
028-33040	29.00	B	subassembly for right (curbside)	120.00
028-33041	7.00	B	track - left (roadside)	107.00
028-33042	7.00	B	track - right (curbside)	107.00
028-33043	8.00	B	track - left (roadside)	120.00
028-33044	8.00	B	track - right (curbside)	120.00

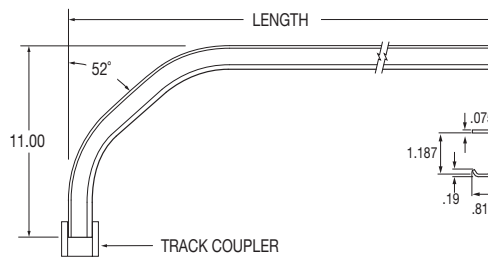
52° Horizontal 1.00" Track

APPLICATION

- For use with 1.00" rollers

FEATURES

- Galvanized steel 14 gauge construction
- For use with in-header mounted operators, and allows greater door clearance when opening
- Track coupler used for proper alignment at track joints



SPECIFICATIONS

part no.	wt. (lbs.)	pop. code	description	length (in.)	fits door sizes	cross reference
028-30050	7.00	B	right (curbside)	107.00	less than 96.00 high	T #49702-1, T #41043, W #4053
028-30051	7.00	B	left (roadside)	107.00	less than 96.00 high	T #49702-2, T #41042, W #4052
028-30060	8.00	B	right (curbside)	120.00	greater than 96.00 high	T #49702-1, T #41043, W #4053
028-30061	8.00	B	left (roadside)	120.00	greater than 96.00 high	T #49702-2, T #41042, W #4052

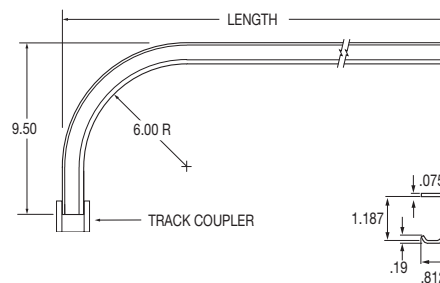
6.00" Radius Horizontal 1.00" Track

APPLICATION

- For use with 1.00" rollers

FEATURES

- Galvanized steel 14 gauge construction
- 6.00" radius for smooth door operation
- Track coupler used for proper alignment at track joints



SPECIFICATIONS

part no.	wt. (lbs.)	pop. code	description	length (in.)	fits door sizes
028-30070	7.00	B	right (curbside)	107.00	less than 96.00 high
028-30071	7.00	B	left (roadside)	107.00	less than 96.00 high
028-30080	8.00	B	right (curbside)	120.00	greater than 96.00 high
028-30081	8.00	B	left (roadside)	120.00	greater than 96.00 high

Dual Spring Operator Packaged Sets With 2.00" Track

FEATURES

- Includes 2.00" R.H. and L.H. vertical track, 2.00" R.H. and L.H. horizontal track, operator assembly balancer brackets, cotter pins, and side seals



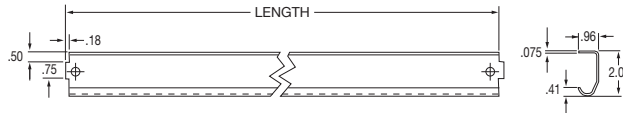
SPECIFICATIONS

part no.	weight (lbs.)	pop. code	vert. track length (in.)	hori. track length (in.)	operator shaft length (in.)	spring length (in.)	fits door sizes
027-82096	82.00	B	96.50	107.00	93.00	33.00	72.00-90.00 high
027-82106	89.00	B	106.50	120.00	93.00	35.00	91.00-100.00 high
027-82114	94.00	B	120.00	120.00	93.00	33.00	101.00-114.00 high

2.00" Vertical Track

APPLICATION

- For use with 2.00" dia. steel or nylon rollers



FEATURES

- Galvanized steel 14 gauge construction
- Tabbed at both ends for proper alignment at track joints and to allow universal fit for both left hand and right hand frame sides

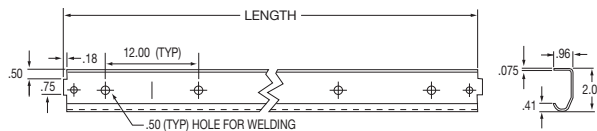
SPECIFICATIONS

part no.	weight (lbs.)	pop. code	length (in.)
028-32083	6.96	B	95.00
028-32084	7.94	B	108.00

2.00" Vertical Track with Holes

APPLICATION

- For use with 2.00" dia. steel or nylon rollers



FEATURES

- Galvanized steel 14 gauge construction
- Tabbed at both ends for proper alignment at track joints and to allow universal fit for both left hand and right hand frame sides
- Holes drilled to allow for faster plug weld installation to frame

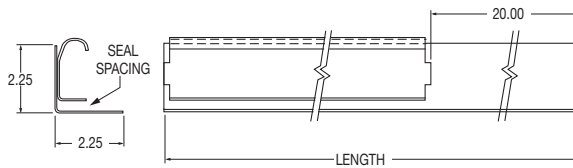
SPECIFICATIONS

part no.	weight (lbs.)	pop. code	length (in.)
028-32085	6.96	B	95.00
028-32086	7.94	B	108.00

2.00" Vertical Track and Right Angle Assembly

FEATURES

- Tongue and groove for proper alignment at joints
- Galvanized steel 14 gauge construction
- Includes right angle mounting track, vertical track, and operator bracket



SPECIFICATIONS

part no.	weight (lbs.)	pop. code	description	length (in.)	spacing	cross fits door sizes	reference
028-02090	16.38	B	left (roadside)	96.50	.31	72.00-90.00 high	W #2275-2
028-02290	16.38	B	right (curbside)	96.50	.31	72.00-90.00 high	W #2275-1
028-02091	16.38	B	left (roadside)	96.50	.50	72.00-90.00 high	W #2275-2
028-02291	16.38	B	right (curbside)	96.50	.50	72.00-90.00 high	W #2275-1
028-02101	18.24	B	left (roadside)	106.50	.31	91.00-100.00 high	W #2275-2
028-02201	18.24	B	right (curbside)	106.50	.31	91.00-100.00 high	W #2275-1
028-02102	18.24	B	left (roadside)	106.50	.50	91.00-100.00 high	W #2275-2
028-02202	18.24	B	right (curbside)	106.50	.50	91.00-100.00 high	W #2275-1
028-02114	20.84	B	left (roadside)	120.00	.31	101.00-114.00 high	W #2275-2
028-02214	20.84	B	right (curbside)	120.00	.31	101.00-114.00 high	W #2275-1
028-02115	20.84	B	left (roadside)	120.00	.50	101.00-114.00 high	W #2275-2
028-02215	20.84	B	right (curbside)	120.00	.50	101.00-114.00 high	W #2275-1

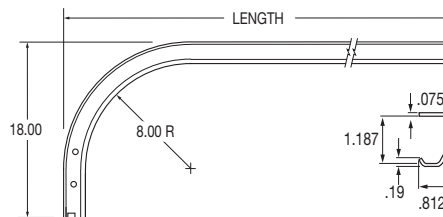
8.00" Radius Horizontal 2.00" Track

APPLICATION

- For use with 2.00" dia. steel or nylon rollers

FEATURES

- Galvanized steel 14 gauge construction
- Tongue and groove for proper alignment at joints
- 8.00" radius



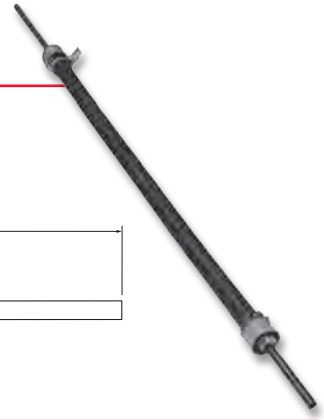
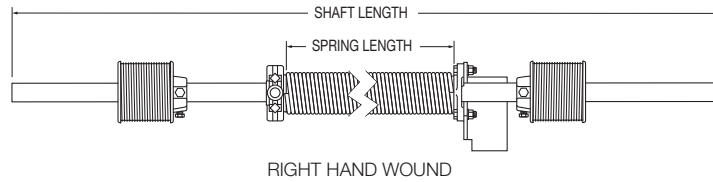
SPECIFICATIONS

part no.	weight (lbs.)	pop. code	description	length (in.)	fits door sizes	cross reference
028-32071	7.60	B	left (roadside)	107.00	up to 96.00 high	W #11-3
028-32072	7.60	B	right (curbside)	107.00	up to 96.00 high	W #11-2
028-32081	9.00	B	left (roadside)	120.00	greater than 96.00 high	W #11-3
028-32082	9.00	B	right (curbside)	120.00	greater than 96.00 high	W #11-2

Single Spring Operator Assemblies

FEATURES

- Single counterbalanced spring design available in 36.00", 48.00" and 60.00" spring lengths
- Quick and easy counterbalance spring adjustment with easy calibration to door size and weight for effortless operation
- Springs treated with rust preventative
- Heavy .243 dia spring wire
- Heavy-duty cast aluminum cable drums hold up to 130.00" of cable



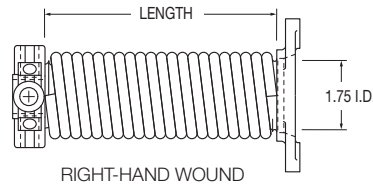
SPECIFICATIONS

part no.	weight (lbs.)	pop. code	description	shaft length (in.)	spring length (in.)	cross ref.
027-24101	25.50	A	shaft, spring, drums, bearing, bracket, and plugs	89.50	36.00	-
027-24301	27.37	A	shaft, spring, drums, bearing, bracket, and plugs	89.50	48.00	-
027-24300	32.37	A	shaft, spring, drums, bearing, bracket, and plugs	89.50	60.00	-
027-24100	31.00	A	shaft, spring, drums, bearing, bracket, and plugs	96.00	36.00	-
027-24201	28.00	A	shaft, spring, drums, bearing, bracket, and plugs	96.00	48.00	-
027-24200	33.00	A	shaft, spring, drums, bearing, bracket, and plugs	96.00	60.00	T #59174
027-24202	33.50	A	shaft, spring, drums, bearing, bracket, and plugs	98.00	60.00	-

Spring Assembly for Single Spring Operator Assemblies

FEATURES

- .24" wire thickness
- 1.75" inner diameter
- Wire sized and wound for proper tension and long life
- Springs treated with rust preventative
- Includes bolt plug and winding plug wound onto spring for stronger design



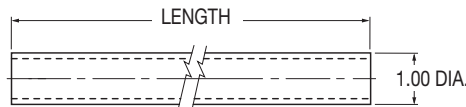
SPECIFICATIONS

part no.	weight (lbs.)	pop. code	length (in.)	cross reference
027-20100	22.00	A	60.00	T #51042, W #2701
027-20101	16.50	A	48.00	-
027-20102	12.78	A	36.00	-

Shafts for Single Spring Operator Assemblies

FEATURES

- Constructed of 1.00" o.d. heavy-duty steel tubing
- Plain finish



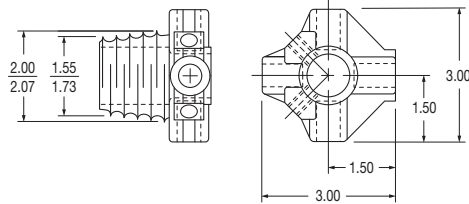
SPECIFICATIONS

part no.	weight (lbs.)	pop. code	length (in.)	cross reference
027-20000	9.00	A	96.00	T #51037, T #59290, W #3100, 310000
027-20001	8.37	A	89.50	-

Winding Plug for Single Spring Operator Assemblies

FEATURES

- Cast aluminum or cast steel construction
- Provides easy method to adjust spring tension



Cast Aluminum Shown

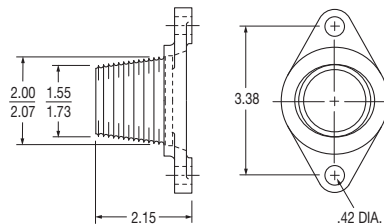
SPECIFICATIONS

part no.	weight (lbs.)	pop. code	construction	cross reference
027-20200	.40	A	cast aluminum	T #59158, T #51041, W #4050, 340100
027-20207	1.13	A	cast steel	T #59158, T #51041, W #4050, 340100

Bolt Plug (Anchor Plug) for Single Spring Operator Assemblies

FEATURES

- Cast aluminum or cast steel construction



Cast Aluminum Shown

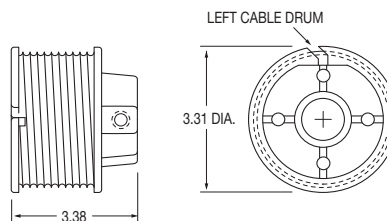
SPECIFICATIONS

part no.	weight (lbs.)	pop. code	construction	cross reference
027-20201	.20	A	cast aluminum	T #51043, W #4025, 340000
027-20208	.51	A	cast steel	T #51043, W #4025, 340000

Cable Drums for Single Spring Operator Assemblies

FEATURES

- Large die cast cable drums are grooved to prevent cables from binding or wearing prematurely
- Large die cast design
- Angle of cable slot determines left or right drum
- Holds up to 130" door cable
- Cast aluminum construction



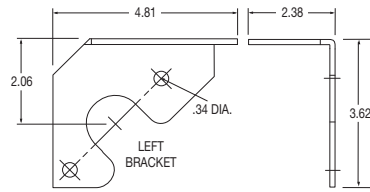
SPECIFICATIONS

part no.	weight (lbs.)	pop. code	description	cross reference
027-20300	.90	A	left (roadside)	T #59033-2, T #59129-2, W #4014, 330000
027-20301	.90	A	right (curbside)	T #59033-1, T #59129-1, W #4013, 330100

Operator Brackets for Single Spring Operator Assemblies

FEATURES

- Steel construction
- Zinc plated finish



LEFT
BRACKET
SHOWN
(ROADSIDE)

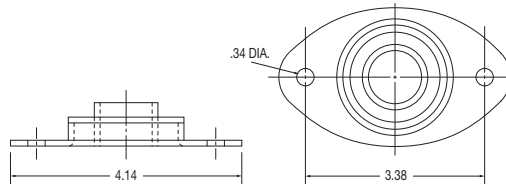
SPECIFICATIONS

part no.	weight (lbs.)	pop. code	description	cross reference
027-20400	.66	A	left (roadside)	T #51036-2, W #4028, 360000
027-20401	.66	A	right (curbside)	T #51036-1, W #4029, 360100

Bearing and Bracket Plate Assembly

FEATURES

- Zinc plated finish
- 1.00" bearing with operator bracket flange
- Factory installation assures proper bearing alignment



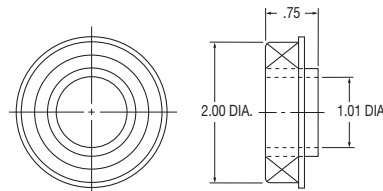
SPECIFICATIONS

part no.	weight (lbs.)	pop. code	description	cross reference
027-20500	.41	A	bearing and bracket plate assy.	T #51038, W #4033, 320000

1.00" Bearing

FEATURES

- Steel construction
- Zinc plated finish
- Long lasting ball bearing construction



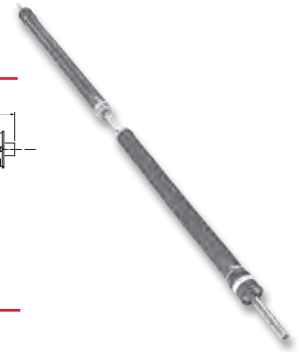
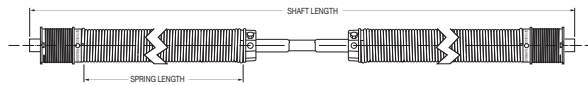
SPECIFICATIONS

part no.	weight (lbs.)	pop. code	cross reference
027-20530	.21	A	T #80701-2, W #10-1025-4

Dual Spring Operator Assemblies

FEATURES

- Assemblies include shaft, L.H. and R.H. springs, winding cones, cable drums with bearings, and spring spacers
- Springs treated with rust preventative
- Roadside cable drum is color coded red



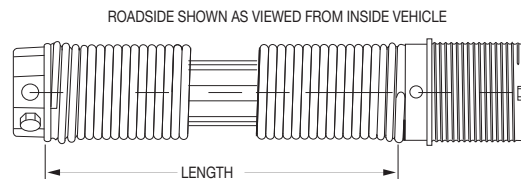
SPECIFICATIONS

part no.	weight (lbs.)	pop. code	shaft length (in.)	spring length (in.)	wire dia (in.)	winding cone color code
027-24400	32.54	A	87.00	33.00	.182	green
027-24401	33.10	A	93.00	33.00	.182	green
027-24416	33.50	A	96.00	33.00	.182	green
027-24402	33.04	A	87.00	35.00	.187	white
027-24403	33.60	A	93.00	35.00	.187	white
027-24417	34.00	A	96.00	35.00	.187	white

Spring Assemblies for Dual Spring Operator Assemblies

FEATURES

- 1.188 inner diameter
- Springs treated with rust preventative
- Includes cable drum and bearing assembly, winding cone wound onto spring for stronger design, and internal spring spacer
- Roadside cable drum is color coded red



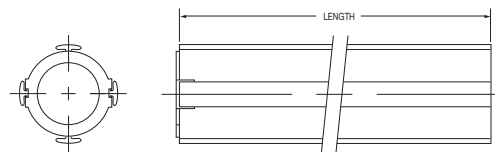
SPECIFICATIONS

part no.	weight (lbs.)	pop. code	application	wire thickness (in.)	spring length (in.)	winding cone color code	cross reference
027-20112	11.25	A	curbside -R.H. wound	.182	33.00	green	-
027-20113	11.25	A	roadside -L.H. wound	.182	33.00	green	-
027-20114	11.50	A	curbside -R.H. wound	.187	35.00	white	2807
027-20115	11.50	A	roadside -L.H. wound	.187	35.00	white	2806

Spring Spacer for Dual Spring Operator Assemblies

FEATURES

- Extruded PVC construction with zinc plated thrust washer



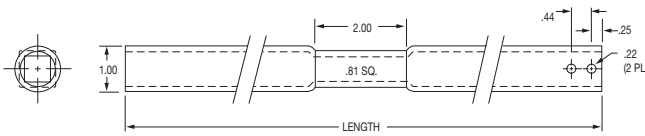
SPECIFICATIONS

part no.	weight (lbs.)	pop. code	length	cross reference
027-20126	.78	A	33.00	2471
027-20127	.83	A	35.00	2471

Dual Spring Shafts

FEATURES

- Constructed of 1.00" outside diameter heavy-duty steel tubing
- Holes drilled in one end only for cotter pins, with other end not drilled for flexibility



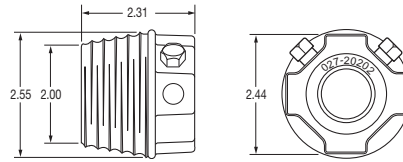
SPECIFICATIONS

part no.	weight (lbs.)	pop. code	length (in.)	finish	cross reference
027-20003	8.18	A	87.00	plain	W #2528
027-20004	8.74	A	93.00	plain	W #2528
027-20010	9.02	A	96.00	plain	-

Winding Cone - Dual Spring Operator

FEATURES

- Zinc die cast construction



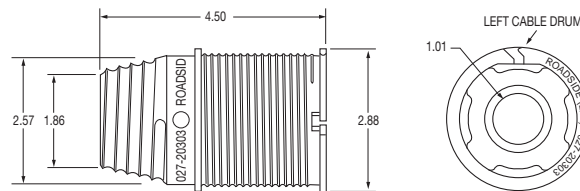
SPECIFICATIONS

part no.	weight (lbs.)	pop. code	cross reference
027-20202	.94	A	W #2518

Cable Drum and Bearing Assembly for Dual Spring Operator

FEATURES

- Black nylon material
- Includes bearing
- Cable drums are grooved to prevent cables from binding or wearing prematurely
- Angle of cable slot determines left or right drum



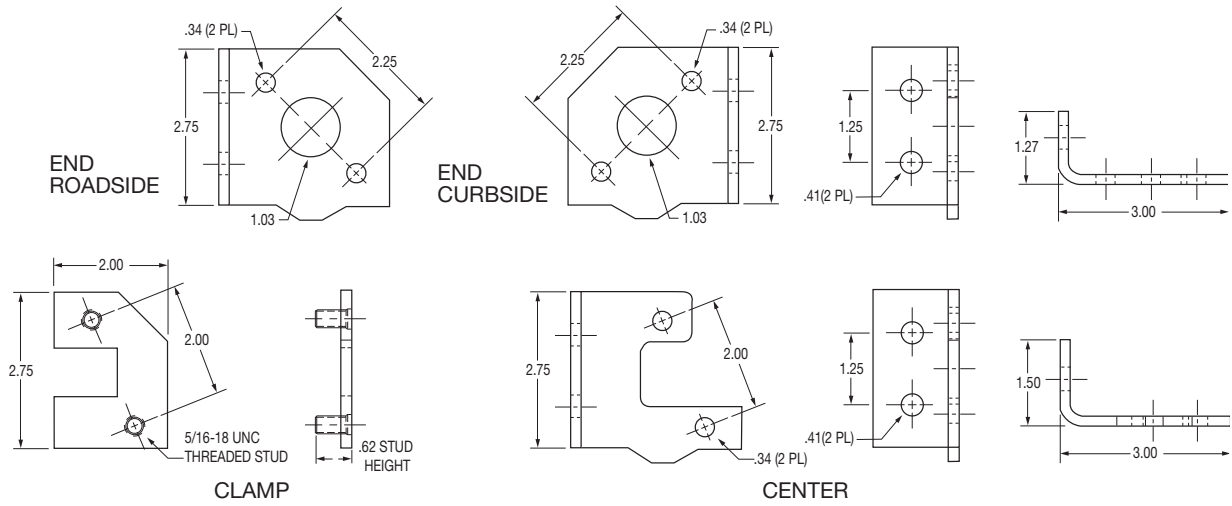
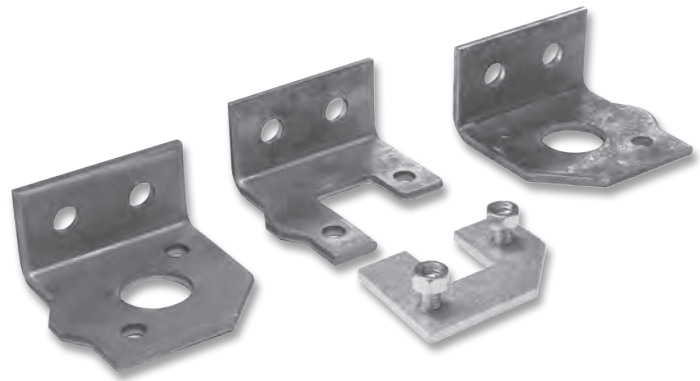
SPECIFICATIONS

part no.	weight (lbs.)	pop. code	description	color code	cross reference
027-20303	.63	A	left (roadside)	red	2547
027-20304	.63	A	right (curbside)		2548

Balancer Brackets for Dual Spring Operator

FEATURES

- Steel construction
- Plain finish
- Clamp includes nuts



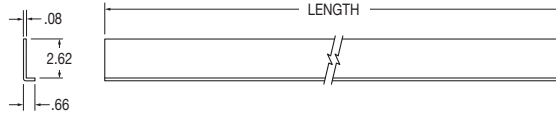
SPECIFICATIONS

part no.	weight (lbs.)	pop. code	description	cross reference
027-20307	.49	A	balancer bracket - end roadside	W #2524
027-20308	.49	A	balancer bracket - end curbside	W #2523
027-20305	.41	A	balancer bracket - center	W #2525
027-20306	.22	A	balancer bracket - clamp	W #2526
993-00703	.011	A	5/16" split lock washer	-
992-00005	.004	A	5/16" hex nut	-

Bottom Seal Retainer Angle for Recessed 1" Roller Door

FEATURES

- Galvanized steel construction for extra strength and corrosion resistance
- Fits both standard and heavy-duty bottom seals
- Pre-punched holes for added convenience



SPECIFICATIONS

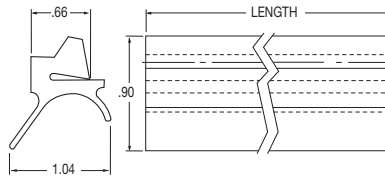
part no.	weight (lbs.)	pop. code	length (in.)	cross reference
026-40018	7.00	A	84.00	T #61191, W #4034, 260000
026-40019*	7.30	A	90.00	T #61191, W #4034, 260000
026-40007	7.50	A	96.00	T #61191, W #4034, 260000

*Part number 026-40019 replaces part number 026-40006

Standard Bottom Seals for Recessed 1" Roller Door

FEATURES

- Extruded from long lasting rubber
- Prevents dirt and moisture from entering cargo bay



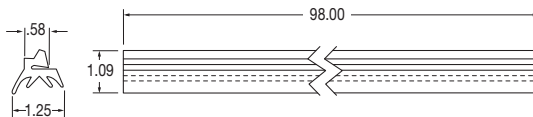
SPECIFICATIONS

part no.	weight (lbs.)	pop. code	length (in.)	cross reference
026-40001	1.00	A	98.00	T #80840, W #3257, 610200

Heavy-Duty Bottom Seal for Recessed 1" Roller Door

FEATURES

- Extruded from long lasting rubber
- Provides maximum protection from dirt and moisture entering into cargo area



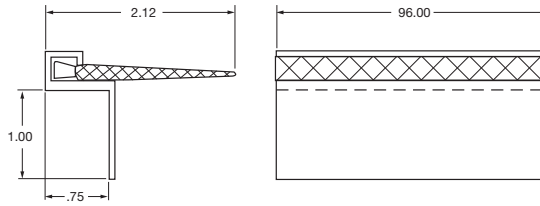
SPECIFICATIONS

part no.	weight (lbs.)	pop. code	length (in.)	cross reference
026-40010	2.50	A	98.00	T #89204

Standard Head Seal and Retainer for Recessed 1" Roller Door

FEATURES

- Retainer extrusion is constructed of high quality aluminum
- Seal molded from long lasting rubber
- Renders easy replacement of top seal without damaging extrusion
- Seal protects cargo area from dirt and moisture
- Panel mounted seal reduces wear and lasts longer



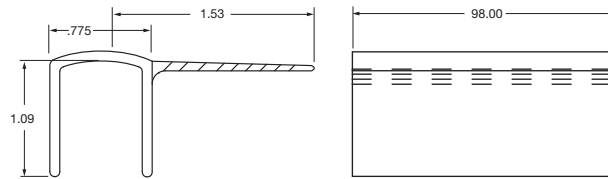
SPECIFICATIONS

part no.	weight (lbs.)	pop. code	description	length (in.)	cross reference
026-40204	3.13	A	head seal assembly	96.00	T #70001, W #4032
026-40202	2.00	A	head seal retainer extrusion only	96.00	T #69790, 500000
026-40200	1.13	A	head seal only	96.00	T #69718, 630300

PolyTrak® Head Seal and Retainer

FEATURES

- Seal molded from long lasting rubber
- Renders easy replacement of top seal
- Seal protects cargo area from dirt and moisture
- Panel mounted seal reduces wear and lasts longer



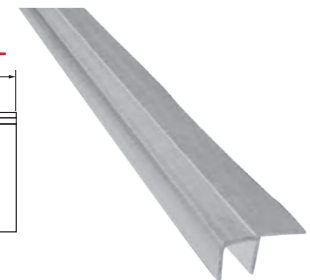
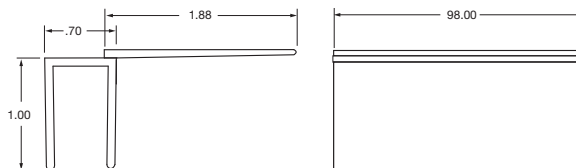
SPECIFICATIONS

part no.	wt. (lbs.)	pop. code	description	length (in.)	cross reference
026-40210	3.13	A	head seal assembly	96.00	T #70001, W #4032

ToughTrak® Head Seal and Retainer

FEATURES

- Seal molded from long lasting rubber
- Renders easy replacement of top seal
- Seal protects cargo area from dirt and moisture
- Panel mounted seal reduces wear and lasts longer



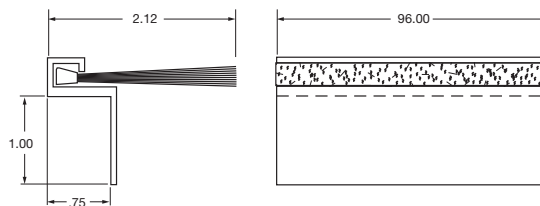
SPECIFICATIONS

part no.	weight (lbs.)	pop. code	length (in.)	description	cross reference
026-40300	2.00	A	98.00	head seal assembly	-

Brush Head Seal and Retainer

FEATURES

- Nylon brush seals out dust better than rubber or vinyl
- Lasts longer and wears better because brush seal will not crack or dry out
- Top panel mounted for easy installation
- Retainer extrusion is constructed of high quality aluminum



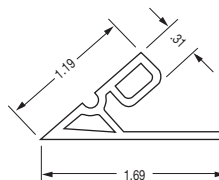
SPECIFICATIONS

part no.	weight (lbs.)	pop. code	length (in.)	description	cross reference
026-40208	3.15	A	96.00	brush head seal assembly	-
026-40202	2.00	A	96.00	head seal retainer	T #69790, 500000
026-40206	1.15	A	96.00	brush seal only	-

Standard Side Seal for Recessed 1" Roller Door

FEATURES

- Extruded from long lasting rubber
- Seal protects cargo area from dirt and moisture
- Used with standard J channel vertical angle with 1.00" track
- 116.00" length



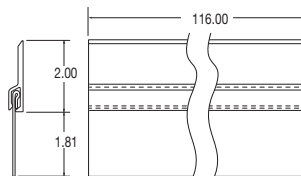
SPECIFICATIONS

part no.	weight (lbs.)	pop. code	cross reference
026-40410	1.30	A	T #69840, W #4019, 620200

Side Seal Secondary

FEATURES

- Heavy-duty side seal assembly with replaceable rubber seal mounts externally to outside frame for easy installation.
- Seal molded from nylon reinforced long lasting rubber
- Retainer extrusion is constructed of high quality aluminum
- 116.00" length



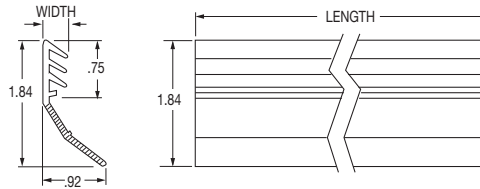
SPECIFICATIONS

part no.	weight (lbs.)	pop. code	description	cross reference
026-40600	4.08	A	side seal assembly	T #70105
026-40602	3.10	A	side seal retainer extrusion only	
026-40601	.98	A	side seal only	

Dual Durometer Side Seal

FEATURES

- Allows for easy door operation
- Seal protects cargo area from dirt and moisture
- Will not bunch up as bottom panel goes around top curve
- Co-extruded using rigid PVC backing with flexible PVC seal against the door
- For use with right angle vertical track
- Fits only right angle vertical track assembly



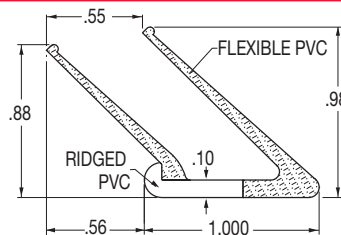
SPECIFICATIONS

part no.	weight (lbs.)	pop. code	length (in.)	width (in.)
026-40400	1.29	A	116.00"	.34"
026-40401	1.57	A	114.00"	.55"

Reefer Side Seal

FEATURES

- Co-extruded using PVC backing with flexible PVC seal against the door



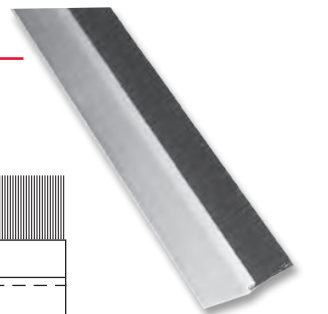
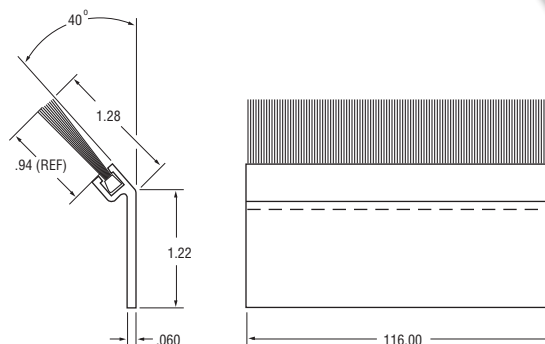
SPECIFICATIONS

part no.	weight (lbs.)	pop. code	length (in.)	cross reference
026-40402	1.45	A	98.00"	W # 7470

Brush Side Seal and Retainer

FEATURES

- Nylon brush seals out dust and moisture better than rubber
- Lasts longer and wears better because brush seal will not crack or warp like rubber
- Mounts outside of door against frame post for easy installation
- Retainer extrusion is constructed of high quality aluminum
- 116.00" length



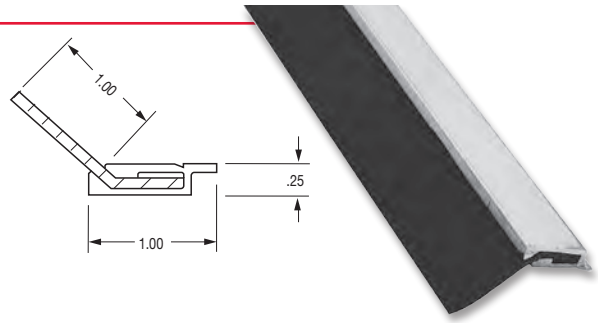
SPECIFICATIONS

part no.	weight (lbs.)	pop. code	description
026-40702	1.84	A	brush side seal assembly

Parcel Delivery Side Seal Assembly

FEATURES

- Extra protection against dirt and moisture entering into the cargo area
- Heavy-duty design
- 116.00" length
- Seal molded from nylon reinforced, long lasting rubber and crimped to aluminum extrusion channel



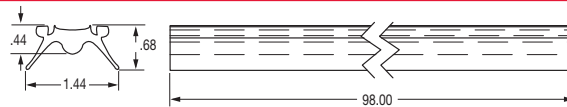
SPECIFICATIONS

part no.	weight (lbs.)	pop. code	cross reference
026-40500	.90	A	T #69922

Bottom Seal for Flush Mount 2" Roller Door

FEATURES

- Flexible PVC material



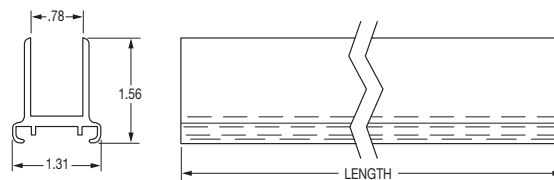
SPECIFICATIONS

part no.	weight (lbs.)	pop. code	cross reference
026-40027	1.67	A	W #1676

U Channel Seal Retainer for Flush Mount 2" Roller Door

FEATURES

- Aluminum extrusion construction



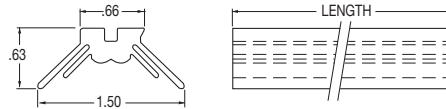
SPECIFICATIONS

part no.	weight (lbs.)	pop. code	length	cross reference
026-40026	4.18	A	96.00"	W #1801
026-40029	4.21	A	98.00"	-

Offset Bottom Seal for Flush Mount 2" Roller Door

FEATURES

- Co-extruded using rigid PVC backing with flexible PVC seal
- To be used with the offset U channel retainer only, part number 026-40037 or 026-40039



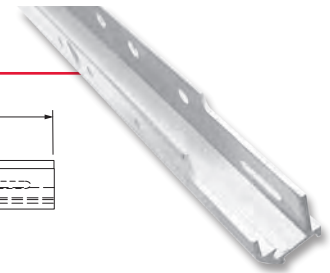
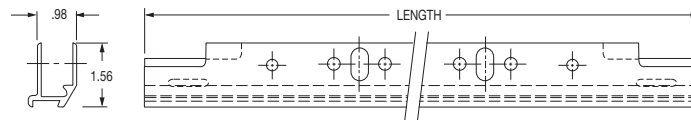
SPECIFICATIONS

part no.	weight (lbs.)	pop. code	length (in.)	cross reference
026-40040	1.16	A	96.00	W #5735
026-40045	1.18	A	98.00	-

Offset U Channel Seal Retainer for Flush Mount 2" Roller Door

FEATURES

- Aluminum extrusion construction
- Retainer is offset to allow header clearance with seal when door is in open position.



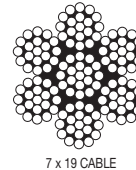
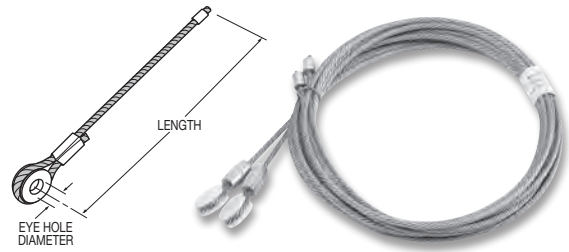
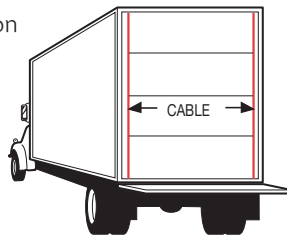
SPECIFICATIONS

part no.	weight (lbs.)	pop. code	length (in.)	cross reference
026-40037	3.96	A	96.00	W #8280
026-40039	4.04	A	98.00	-

Roll-Up Door Cables - Package Sets

FEATURES

- Stainless steel or galvanized construction
- Package set part number represents one pair of cables in a plastic bag
- Three standard eye hole diameters: .27 (1/4"), .34 (5/16"), and .45 (7/16")
- .125" diameter, 7 x 7 or heavy-duty 7 x 19 aircraft cable construction
- Nylon eye ends are used on 1/4" and 7/16" eye cables which give superior strength and corrosion resistance
- Aluminum eye ends are used on 5/16" eye cables



SPECIFICATIONS FOR STANDARD CABLES

part no.	weight (lbs.)	pop. code	cable length (in.)	cable eye	cable construction	cross reference
025-01064	.56	A	97.00	1/4	7 x 7 stainless	
025-01426	.56	A	97.00	1/4	7 x 19 stainless	W #4020-1
025-01065	.54	A	97.00	1/4	7 x 7 galvanized	
025-01428	.54	A	97.00	1/4	7 x 19 galvanized	
025-01036	.64	A	97.00	5/16	7 x 7 stainless	
025-01427	.64	A	97.00	5/16	7 x 19 stainless	W #1-7
025-01037	.62	A	97.00	5/16	7 x 7 galvanized	
025-01429	.62	A	97.00	5/16	7 x 19 galvanized	W #1-7
025-01081	.60	A	105.00	1/4	7 x 7 stainless	
025-01430	.60	A	105.00	1/4	7 x 19 stainless	W #4020-1
025-01076	.56	A	105.00	1/4	7 x 7 galvanized	
025-01432	.56	A	105.00	1/4	7 x 19 galvanized	
025-01066	.68	A	105.00	5/16	7 x 7 stainless	
025-01431	.68	A	105.00	5/16	7 x 19 stainless	
025-01067	.64	A	105.00	5/16	7 x 7 galvanized	
025-01433	.64	A	105.00	5/16	7 x 19 galvanized	
025-01028	.62	A	110.00	1/4	7 x 7 stainless	
025-01434	.62	A	110.00	1/4	7 x 19 stainless	W #4020-1
025-01029	.58	A	110.00	1/4	7 x 7 galvanized	
025-01436	.58	A	110.00	1/4	7 x 19 galvanized	T #51044
025-01098	.70	A	110.00	5/16	7 x 7 stainless	
025-01435	.70	A	110.00	5/16	7 x 19 stainless	W #1-8
025-01078	.66	A	110.00	5/16	7 x 7 galvanized	
025-01437	.66	A	110.00	5/16	7 x 19 galvanized	W #1-8
025-01030	.64	A	115.00	1/4	7 x 7 stainless	
025-01438	.64	A	115.00	1/4	7 x 19 stainless	T #59004, W #4020-1
025-01031	.60	A	115.00	1/4	7 x 7 galvanized	
025-01440	.60	A	115.00	1/4	7 x 19 galvanized	T #59004
025-01100	.72	A	115.00	5/16	7 x 7 stainless	
025-01439	.72	A	115.00	5/16	7 x 19 stainless	
025-01088	.68	A	115.00	5/16	7 x 7 galvanized	
025-01441	.68	A	115.00	5/16	7 x 19 galvanized	

SPECIFICATIONS FOR STANDARD CABLES CONTINUED

part no.	weight (lbs.)	pop. code	cable length (in.)	cable eye	cable construction	cross reference
025-01119	.66	A	120.00	1/4	7 x 7 stainless	
025-01442	.66	A	120.00	1/4	7 x 19 stainless	T #59003, W #4020-1
025-01069	.62	A	120.00	1/4	7 x 7 galvanized	
025-01444	.62	A	120.00	1/4	7 x 19 galvanized	T #59003
025-01068	.74	A	120.00	5/16	7 x 7 stainless	
025-01443	.74	A	120.00	5/16	7 x 19 stainless	
025-01070	.70	A	120.00	5/16	7 x 7 galvanized	
025-01445	.70	A	120.00	5/16	7 x 19 galvanized	
025-01126	.70	A	125.00	1/4	7 x 7 stainless	
025-01446	.70	A	125.00	1/4	7 x 19 stainless	T #59003, W #4020-1
025-01074	.66	A	125.00	1/4	7 x 7 galvanized	
025-01448	.66	A	125.00	1/4	7 x 19 galvanized	T #59003
025-01038	.78	A	125.00	5/16	7 x 7 stainless	
025-01447	.78	A	125.00	5/16	7 x 19 stainless	W #1-1
025-01039	.74	A	125.00	5/16	7 x 7 galvanized	
025-01449	.74	A	125.00	5/16	7 x 19 galvanized	W #1-1
025-01034	.72	A	130.00	1/4	7 x 7 stainless	
025-01450	.72	A	130.00	1/4	7 x 19 stainless	T #59003
025-01035	.68	A	130.00	1/4	7 x 7 galvanized	
025-01452	.68	A	130.00	1/4	7 x 19 galvanized	T #59003
025-01102	.80	A	130.00	5/16	7 x 7 stainless	
025-01451	.80	A	130.00	5/16	7 x 19 stainless	W #1-4
025-01123	.76	A	130.00	5/16	7 x 7 galvanized	
025-01545	.76	A	130.00	5/16	7 x 19 galvanized	W #1-4

SPECIFICATIONS FOR MISCELLANEOUS CABLES

part no.	weight (lbs.)	pop. code	cable length (in.)	cable eye	cable construction	cross reference
025-01052	.66	B	105.00	7/16	7 x 7 stainless	W #T112-1
025-01053	.66	B	105.00	7/16	7 x 7 galvanized	W #T112-1
025-01055	.70	B	110.00	7/16	7 x 7 galvanized	
025-01056	.72	B	115.00	7/16	7 x 7 stainless	W #T112-2
025-01057	.72	B	115.00	7/16	7 x 7 galvanized	W #T112-2
025-01058	.76	B	125.00	7/16	7 x 7 stainless	W #T112-3
025-01059	.75	B	125.00	7/16	7 x 7 galvanized	W #T112-3
025-01075	.80	B	130.00	7/16	7 x 7 galvanized	

Beverage Body Roll-Up Door Cable - Package Set

FEATURES

- Package set part number represents one pair of cables
- Zinc plated tear drop



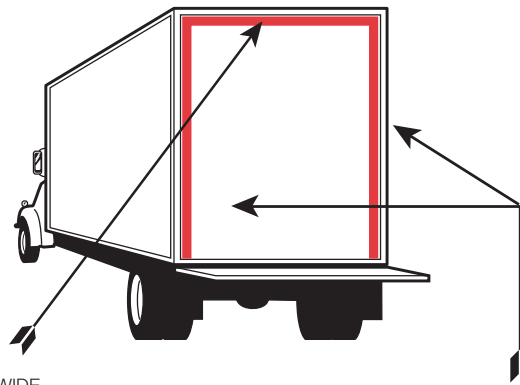
SPECIFICATIONS FOR STANDARD CABLES

part no.	weight (lbs.)	pop. code	cable length (in.)	cable eye	cable construction
025-01575	.57	B	110.00	1/4	7 x 7 galvanized

Rear Frame Conversion Bulk Kits - 2" Width

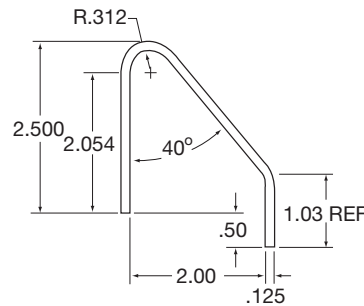
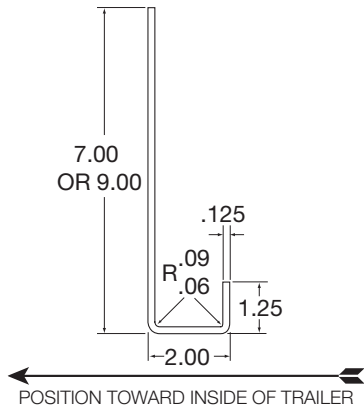
FEATURES

- Converts swing doors to roll-up doors.
- Remove old swing doors and weld conversion corner post and header in its place. Vehicle is now ready for roll-up door installation
- Corner post has added lip length to allow easier welding during installation
- Steel construction- .125 thick
- Each bulk kit includes two corner posts and one header
- Plain finish



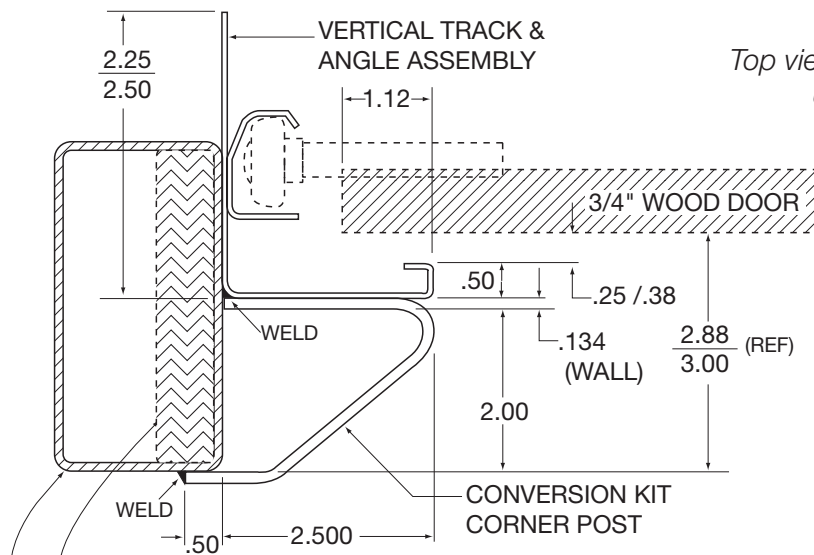
HEADER
102.00" WIDE

CORNER POST
120.00" LONG



SPECIFICATIONS

part no.	weight (lbs.)	pop. code	description
025-60407	89.20	A	conversion bulk kit with 7" header - 2" wide
025-60409	96.40	A	conversion bulk kit with 9" header - 2" wide
025-60410	26.82	A	corner post only - 2" wide x 120" long
025-60411	35.54	A	7" header only - 2" wide x 102" long
025-60412	42.77	A	9" header only - 2" wide x 102" long



Top view of installation shown,
Using 1.00" roller

- 3/4" X 4" BAR REAR CORNER POST (ON VEHICLE)
- 2" X 4" TUBULAR REAR CORNER POST (ON VEHICLE)

Louvered Vents

FEATURES

- Slide arm opens/closes vent
- The back has four 2" diameter holes for air flow
- Plain or white enamel finish
- Adjustable and non-adjustable (always open) air flow available

ORDER DETAILS

- Orders in multiples of 10 shipped in shelf-ready box



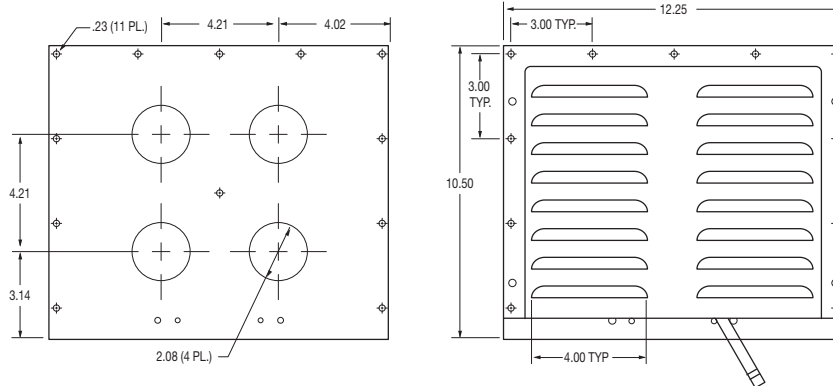
Adjustable - Aluminum



Non-Adjustable - White

SPECIFICATIONS

part no.	weight (lbs.)	pop. code	construction	finish	adjustable	cross ref.
024-03000	1.32	A	aluminum	plain	yes	#20
024-03005	1.32	A	aluminum	white enamel	yes	-
024-03001	.47	A	aluminum	plain	no (open)	-
024-03006	.47	A	aluminum	white enamel	no (open)	-

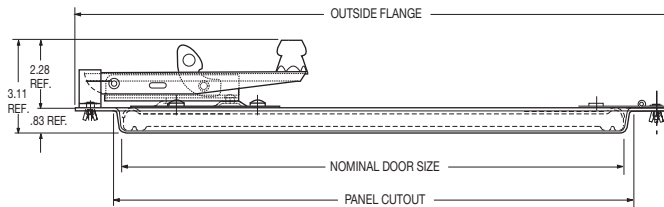


Adjustable Louvered Vent Shown

F1 Dry Freight Vent Doors

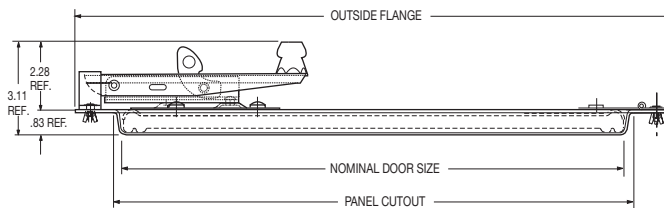
FEATURES

- Double seal foamed door
- Anti-intrusion screen for security and allows more air flow than others
- Choice of white epoxy powder coat, anodized aluminum, or stainless steel door face finishes
- One piece anodized aluminum frame for strength and easy installation
- Rubber hold back knob on latch (included) holds door securely in place when open
- Door embossed for added strength
- Available with holes in frame
- All stainless steel hardware



17.00 X 11.38 DOOR SIZE SPECIFICATIONS

part no.	weight (lbs.)	pop. code	nominal door size (in.)	door finish	anti-intrusion screen	outside flange (in.)	panel cutout (in.)	cross reference
024-02500	5.73	A	17.00 x 11.38	aluminum	yes	20.00 x 15.00	17.50 x 12.00	P1077, P1073
024-02501	5.73	A	17.00 x 11.38	white	yes	20.00 x 15.00	17.50 x 12.00	P1077-W, P1073-W
024-02502	7.28	A	17.00 x 11.38	s. steel	yes	20.00 x 15.00	17.50 x 12.00	P1077-SS, P1073-SS



17.00 X 7.00 DOOR SIZE SPECIFICATIONS

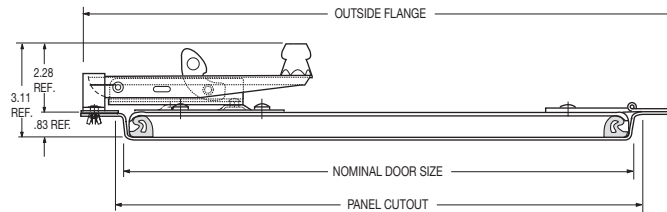
part no.	weight (lbs.)	pop. code	nominal door size (in.)	door finish	anti-intrusion screen	outside flange (in.)	panel cutout (in.)	cross reference
024-02508	4.23	A	17.00 x 7.00	aluminum	yes	20.00 x 10.00	17.50 x 7.50	P1072, P1076
024-02509	4.23	A	17.00 x 7.00	white	yes	20.00 x 10.00	17.50 x 7.50	P1072-W, P1076-W
024-02510	5.10	A	17.00 x 7.00	s. steel	yes	20.00 x 10.00	17.50 x 7.50	P1072-SS, P1076-SS

NOTE: If latch replacement is needed, style on original vent door must be used, see page 58

G1 Dry Freight Vent Doors

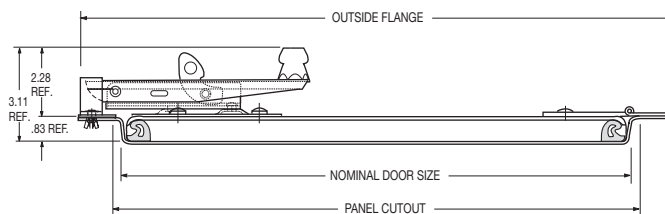
FEATURES

- One piece anodized aluminum frame for strength and easy installation
- Choice of white epoxy powder coat, anodized aluminum, or stainless steel door face finishes
- Anti-intrusion screen for security and allows more air flow than others
- All stainless steel hardware
- Rubber hold back knob on latch (included) holds door securely in place when open
- With gasket seal
- Door embossed for added strength



17.00 X 11.38 DOOR SIZE SPECIFICATIONS

part no.	weight (lbs.)	pop. code	nominal door size (in)	door finish	outside flange (in.)	panel cutout (in.)	cross reference
024-02590	5.06	A	17.00 x 11.38	aluminum	20.00 x 15.00	17.50 x 12.00	P1077, P1073
024-02591	5.06	A	17.00 x 11.38	white	20.00 x 15.00	17.50 x 12.00	P1077-W, P1073-W
024-02592	6.23	A	17.00 x 11.38	s. steel	20.00 x 15.00	17.50 x 12.00	P1077-SS, P1073-SS



17.00 X 7.00 DOOR SIZE SPECIFICATIONS

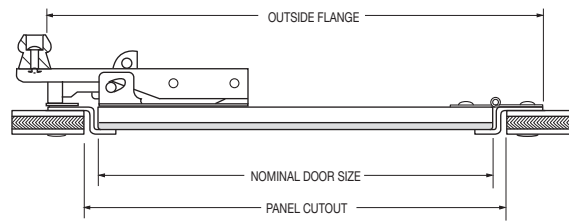
part no.	weight (lbs.)	pop. code	nominal door size (in)	door finish	outside flange (in.)	panel cutout (in.)	cross reference
024-02595	3.84	A	17.00 x 7.00	aluminum	20.00 x 10.00	17.50 x 7.50	P1072, P1076
024-02596	3.84	A	17.00 x 7.00	white	20.00 x 10.00	17.50 x 7.50	P1072-W, P1076-W
024-02597	4.84	A	17.00 x 7.00	s. steel	20.00 x 10.00	17.50 x 7.50	P1072-SS, P1076-SS

NOTE: If latch replacement is needed, style on original vent door must be used, see page 58

Traditional Style Long Side Opening Dry Freight Vent Doors

FEATURES

- Anti-intrusion screen available
- Your choice of white baked-on enamel, aluminum, or stainless steel door face finishes
- Rubber hold-back kit included
- Uses one piece aluminum frame
- Contact us about doors and options not shown



SPECIFICATIONS

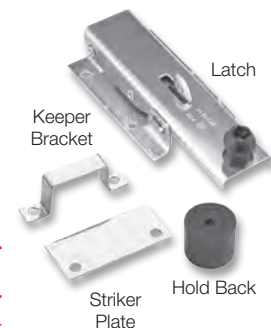
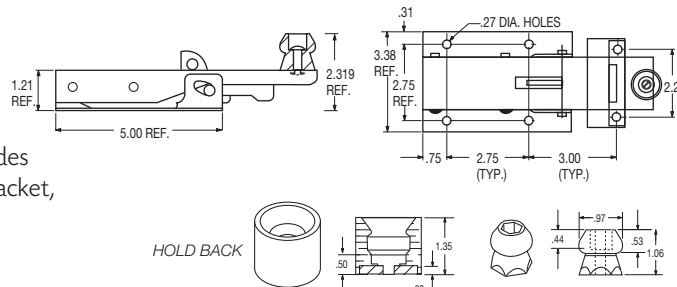
part no.	weight (lbs.)	pop. code	nominal door size (in.)	door finish	anti-intrusion screen	flange (in.)	outside cutout (in.)	panel
024-02257	7.00	C	17.00 x 11.38	aluminum	yes	20.00 x 15.00	17.50 x 12.00	
024-02261	7.00	C	17.00 x 11.38	white	yes	20.00 x 15.00	17.50 x 12.00	
024-02268	8.50	C	17.00 x 11.38	s. steel	yes	20.00 x 15.00	17.50 x 12.00	

NOTE: If latch replacement is needed, style on original vent door must be used, see below

Vent Door Latch Assembly and Components (Old Style)

FEATURES

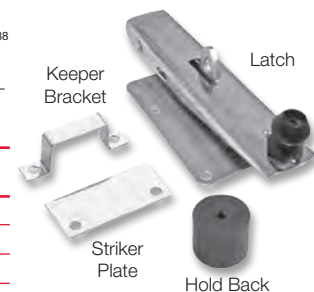
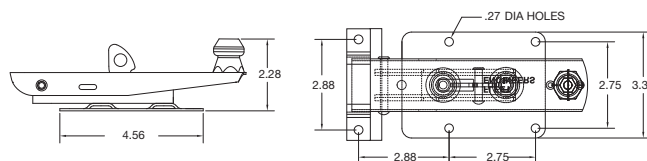
- Stainless steel construction
- Built in anti-theft capability
- Spring assisted pressure closing feature
- Latch assembly bulk kit includes latch, striker plate, keeper bracket, and female door hold back



OLD STYLE SPECIFICATIONS

part no.	weight (lbs.)	pop. code	description
023-00497	1.09	A	latch assembly bulk kit
021-00098	.06	A	striker plate
021-00099	.04	A	keeper bracket
021-00309	.30	A	door hold back package set (includes male and female ends)

NOTE: If latch replacement is needed, style on original vent door must be used



NEW STYLE SPECIFICATIONS

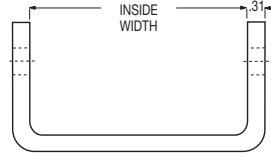
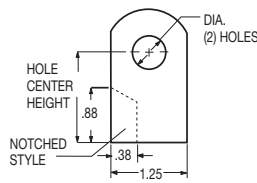
part no.	weight (lbs.)	pop. code	description	cross reference
024-03089	.91	A	latch assembly bulk kit	10-1900 S/S
024-03059	.06	A	keeper bracket	
024-03060	.04	A	striker plate	
021-00309	.30	A	door hold back pkg. set (includes male and female ends)	

NOTE: If latch replacement is needed, style on original vent door must be used

One-Piece Weld-On Hinge Butts (Custom)

FEATURES

- .31" hot rolled steel stamping
- Plain, zinc plated, or stainless steel available
- Straight type or notched type available
- Optional hardware available - see hinge pins on pages 146-147



SPECIFICATIONS

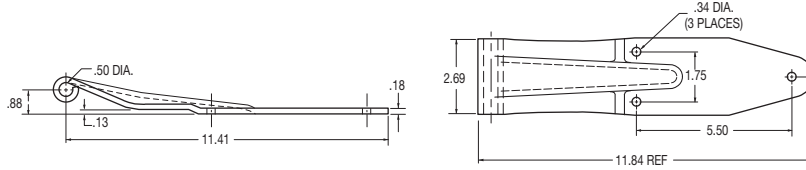
part no.	weight (lbs.)	pop. code	style	construction	hole dia.	inside width(in.)	height to hole center (in.)	rec. hinge	cross reference
023-00583	.80	A	notched	matte stainless steel	.51	2.88	1.75	022-00888, 022-00889	Dorsey
023-00586	.80	A	notched	matte stainless steel	.51	2.88	2.12		Dorsey
023-00585	.82	C	straight	matte stainless steel	.51	2.88	1.25		Dorsey
023-01569	.80	B	notched	plain steel	.51	2.88	2.12		Dorsey
023-00639	.77	B	straight	zinc plated	.51	4.25	1.12	022-00030	Miller
023-00641	.90	B	straight	zinc plated	.51	4.25	1.75		Miller
023-00642	.81	B	straight	zinc plated	.51	3.25	1.50	022-00490	Strick
023-00645	.60	A	notched	zinc plated	.51	4.25	1.12	022-00614	Kentucky
023-00652	.62	C	straight	plain steel	.51	2.88	1.25		Dorsey
023-00659	.61	A	notched	plain steel	.51	4.25	1.12		
023-00660	.81	A	straight	plain steel	.51	2.88	2.13		Dorsey
023-00662	.61	A	notched	plain steel	.51	2.88	1.75	022-00888, 022-00889	Dorsey
023-00664	.69	A	notched	zinc plated	.51	4.25	1.38	023-00559	#HB-1156-6
023-00669	.54	A	notched	plain steel	.51	3.00	1.38	022-00975, 022-01047, 022-01105, 022-01182	Wabash
023-00674	.89	B	notched	zinc plated	.51	4.25	1.88	023-00557	Fruehauf
023-00675	.60	C	straight	zinc plated	.51	2.25	1.13	022-00013	Fruehauf
023-00678	.76	B	notched	plain steel	.63	3.00	1.63	023-00940	Trailmobile
021-00308	.50	A	notched	s.s cast	.51	3.00	1.38	022-00975, 022-01047, 022-01182	Wabash



Dorsey Style Three-Hole Hinge

FEATURES

- Steel stamping
- Zinc plated finish



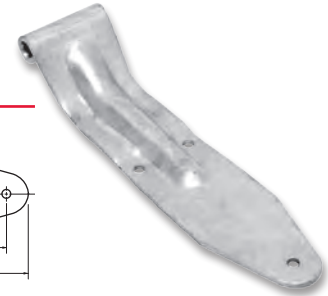
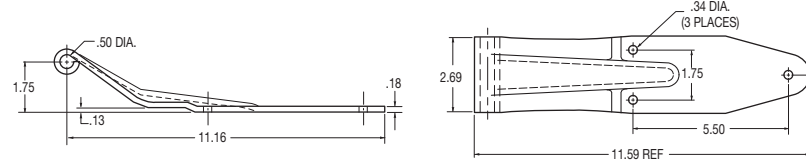
SPECIFICATIONS

part no.	weight (lbs.)	pop. code	recommended hinge pin	cross reference
022-00391	1.75	A	997-98022	Dorsey #4101482

Dorsey Style Three-Hole Hinge

FEATURES

- Steel stamping
- Zinc plated finish



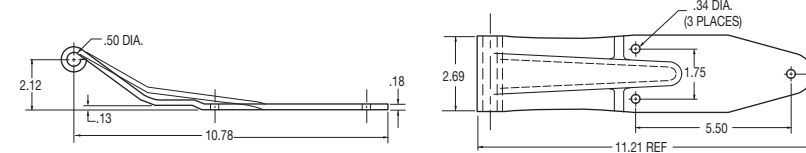
SPECIFICATIONS

part no.	weight (lbs.)	pop. code	recommended hinge pin	cross reference
022-00392	1.75	A	997-98022	Dorsey #4101481

Dorsey Style Three-Hole Hinge

FEATURES

- Steel stamping
- Zinc plated finish



SPECIFICATIONS

part no.	weight (lbs.)	pop. code	recommended hinge pin	cross reference
022-00393	1.75	A	997-98022	Dorsey #5609022

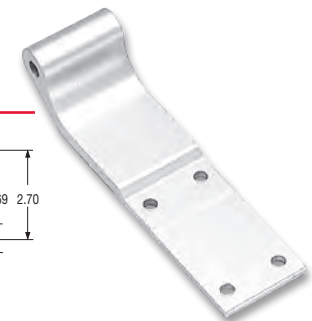
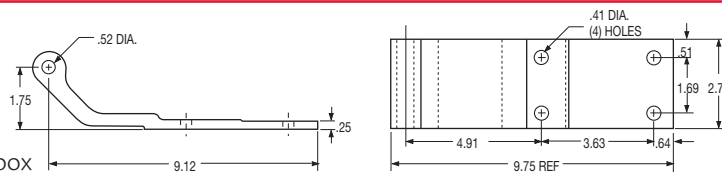
Dorsey Style Four-Hole Hinge

FEATURES

- Aluminum extrusion

ORDER DETAILS

- Orders in multiples of 10 shipped in shelf-ready box



SPECIFICATIONS

part no.	wt. (lbs.)	pop. code	recommended hinge butt	recommended hinge pin	cross reference
022-00888	1.20	A	023-00662	997-98022	Dorsey #2810093

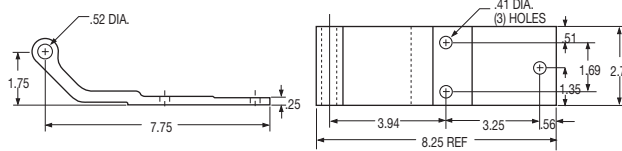
Dorsey Style Three-Hole Hinge

FEATURES

- Aluminum extrusion

ORDER DETAILS

- Orders in multiples of 10 shipped in shelf-ready box



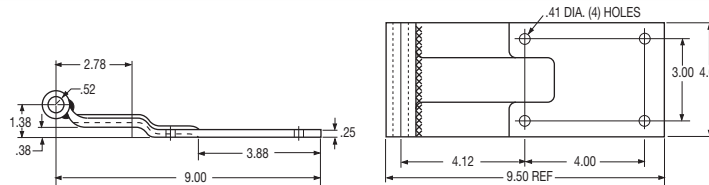
SPECIFICATIONS

part no.	wt. (lbs.)	pop. code	recommended hinge butt	recommended hinge pin	cross reference
022-00889	.80	A	023-00662	997-98022	Dorsey #2810919

Four-Hole Hinge

FEATURES

- Steel construction



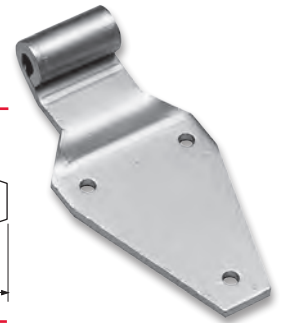
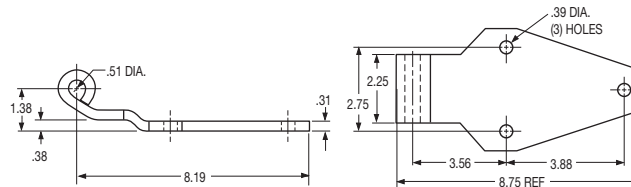
SPECIFICATIONS

part no.	weight (lbs.)	popularity code	mounting holes	recommended hinge butt	recommended hinge pin	cross reference
022-00824	3.20	C	four	023-00664	997-98017	1809-004-B

Fruehauf Style Three-Hole Hinge

FEATURES

- Steel stamping
- Zinc plated finish



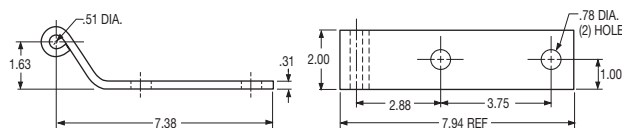
SPECIFICATIONS

part no.	weight (lbs.)	pop. code	cross reference
022-00007	2.40	C	Fruehauf #DCA-02-42

Fruehauf Style Two-Hole Hinge and Hardware

FEATURES

- Steel stamping
- Zinc plated finish



Dry Freight Screw & Nut

SPECIFICATIONS

part no.	weight (lbs.)	pop. code	description	cross reference
022-00013	1.75	A	door hinge	Fruehauf #DXA-0687
996-01900	.05	A	dry freight door screw	Fruehauf #DXA-000696 PK1

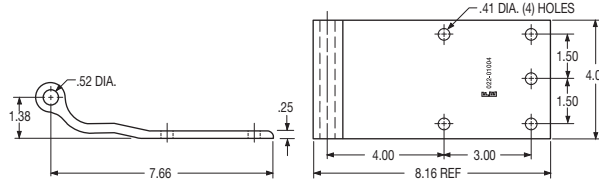
Fruehauf Style Five-Hole Hinge

FEATURES

- Aluminum extrusion

ORDER DETAILS

- Orders in multiples of 10 shipped in shelf-ready box



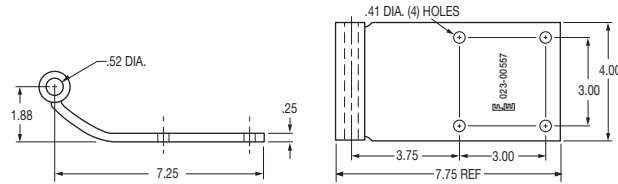
SPECIFICATIONS

part no.	weight (lbs.)	pop. code	recommended hinge pin	cross reference
022-01004	1.06	A	997-98017	Fruehauf BCF004678001, Fruehauf #DBA00158300

Fruehauf Style Four-Hole Hinge (Radius Offset)

FEATURES

- Steel construction
- Zinc plated finish



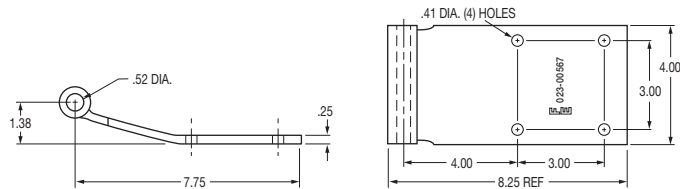
SPECIFICATIONS

part no.	weight (lbs.)	pop. code	recommended hinge pin	cross reference
023-00557	2.80	A	997-98017	Fruehauf #DCE-8681-1

Fruehauf Style Four-Hole Hinge (Straight Offset)

FEATURES

- Steel construction
- Zinc plated finish



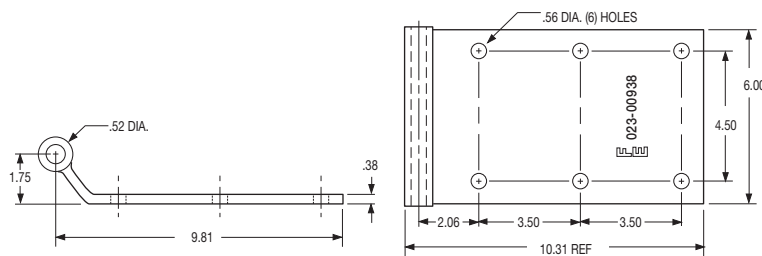
SPECIFICATIONS

part no.	weight (lbs.)	pop. code	recommended hinge pin	cross reference
023-00567	2.80	A	997-98017	Fruehauf #DCF-3980-1

Fruehauf Style Six-Hole Hinge

FEATURES

- Steel construction
- Zinc plated finish



SPECIFICATIONS

part no.	weight (lbs.)	pop. code	cross reference
023-00938	7.30	C	Fruehauf #DCF-00451

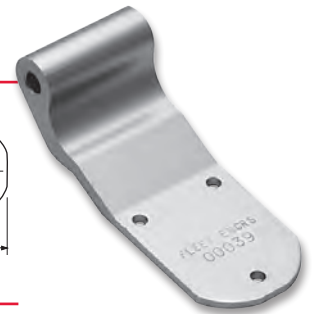
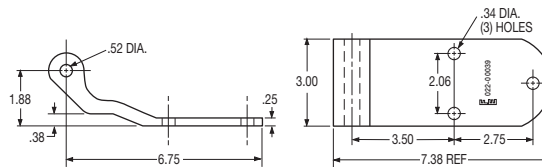
Gindy Style Three-Hole Hinge

FEATURES

- Aluminum extrusion

ORDER DETAILS

- Orders in multiples of 10 shipped in shelf-ready box



SPECIFICATIONS

part no.	weight (lbs.)	pop. code	cross reference
022-00039	1.00	B	Gindy #H04-B01073

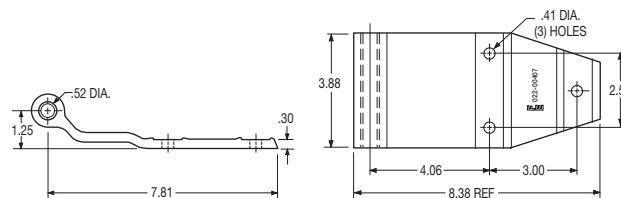
Great Dane Style Three-Hole Hinge

FEATURES

- Aluminum extrusion
- With insert

ORDER DETAILS

- Orders in multiples of 10 shipped in shelf-ready box



SPECIFICATIONS

part no.	weight (lbs.)	pop. code	recommended hinge pin	cross reference
022-00407	1.19	A	997-98027	Great Dane #31801018

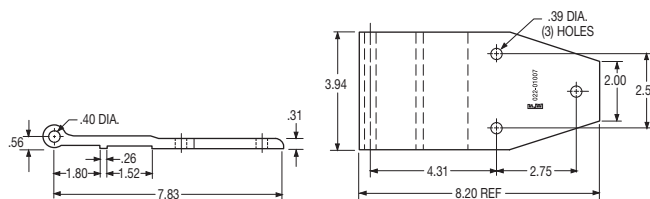
Great Dane Style Three-Hole Hinge

FEATURES

- Aluminum extrusion

ORDER DETAILS

- Orders in multiples of 10 shipped in shelf-ready box



SPECIFICATIONS

part no.	weight (lbs.)	pop. code	recommended hinge pin	cross reference
022-01007	.96	A	997-98015	Great Dane #15152

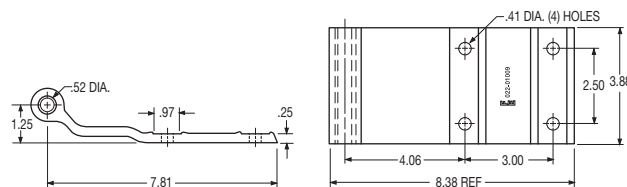
Great Dane Style Four-Hole Hinge

FEATURES

- Aluminum extrusion
- With insert

ORDER DETAILS

- Orders in multiples of 10 shipped in shelf-ready box



SPECIFICATIONS

part no.	weight (lbs.)	pop. code	recommended hinge pin	cross reference
022-01009	1.19	A	997-98027	Great Dane #027-14488

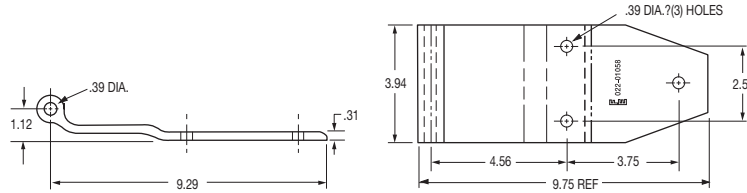
Great Dane Style Three-Hole Hinge

FEATURES

- Aluminum extrusion

ORDER DETAILS

- Orders in multiples of 10 shipped in shelf-ready box



SPECIFICATIONS

part no.	weight (lbs.)	pop. code	recommended hinge pin	cross reference
022-01058	1.16	A	997-98015	Great Dane #47563

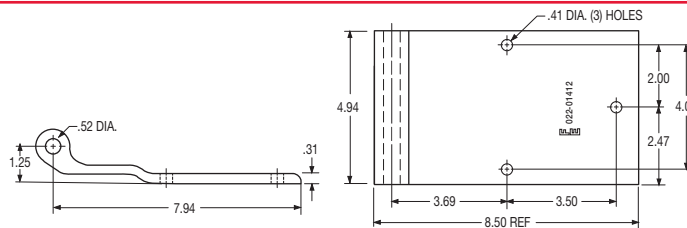
Great Dane Style Three-Hole Hinge

FEATURES

- Aluminum extrusion

ORDER DETAILS

- Orders in multiples of 10 shipped in shelf-ready box



SPECIFICATIONS

part no.	weight (lbs.)	pop. code	recommended hinge pin	cross reference
022-01412	1.20	A	-	Great Dane #43000124

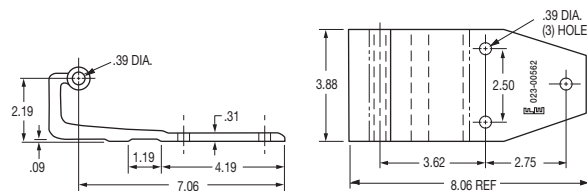
Great Dane Style Three-Hole Hinge (Reefer)

FEATURES

- Aluminum extrusion

ORDER DETAILS

- Orders in multiples of 10 shipped in shelf-ready box



SPECIFICATIONS

part no.	weight (lbs.)	pop. code	recommended hinge pin	cross reference
023-00562	1.40	A	997-98015	Great Dane #08206

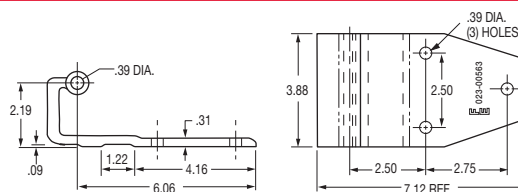
Great Dane Style Three-Hole Hinge (Dry Freight)

FEATURES

- Aluminum extrusion

ORDER DETAILS

- Orders in multiples of 10 shipped in shelf-ready box



SPECIFICATIONS

part no.	weight (lbs.)	pop. code	recommended hinge pin	cross reference
023-00563	1.20	A	997-98015	Great Dane #08138

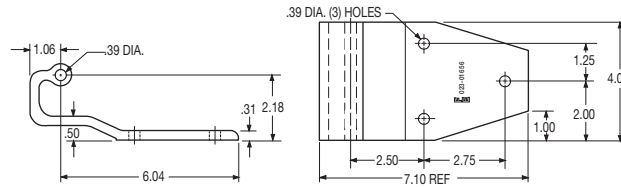
Great Dane Style Three-Hole Hinge

FEATURES

- Aluminum extrusion

ORDER DETAILS

- Orders in multiples of 10 shipped in shelf-ready box



SPECIFICATIONS

part no.	weight (lbs.)	pop. code	recommended hinge pin	cross reference
023-01656	1.20	A	997-98015	Great Dane #42500813

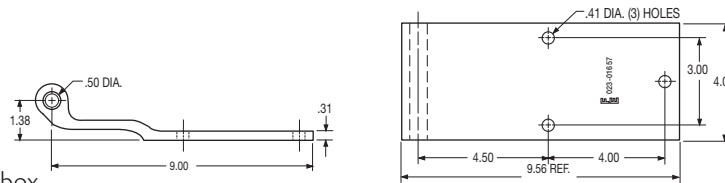
Hyundai Style Three-Hole Hinge

FEATURES

- Aluminum extrusion
- With insert

ORDER DETAILS

- Orders in multiples of 10 shipped in shelf-ready box



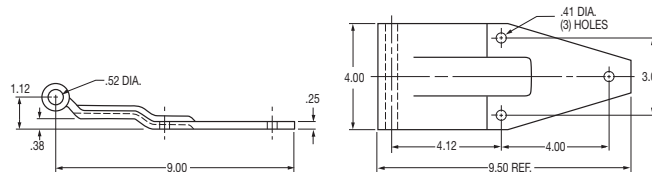
SPECIFICATIONS

part no.	weight (lbs.)	pop. code	cross reference
023-01657	1.51	A	Hyundai TRR7000C-AH and #20003977

Kentucky Style Three-Hole Hinge

FEATURES

- Steel construction
- Zinc plated finish
- Reinforcing rib



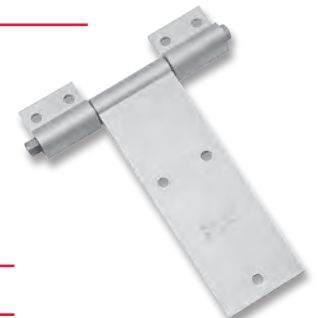
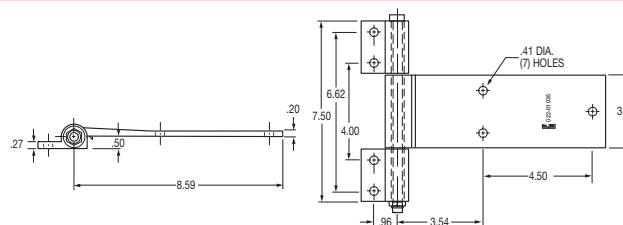
SPECIFICATIONS

part no.	wt. (lbs.)	pop. code	recommended hinge butt	recommended hinge pin	cross reference
022-00614	2.70	B	023-00645	997-98017	Kentucky #2906, Eberhard #A1-5984-50

Kentucky Style "Side Door" Hinge Assembly and Components

FEATURES

- Aluminum extrusions
- With inserts



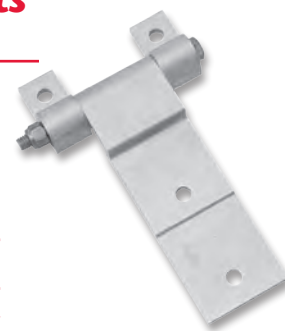
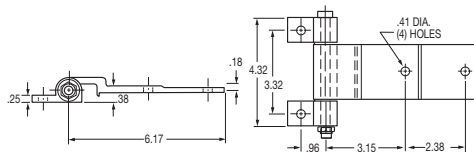
SPECIFICATIONS

part no.	weight (lbs.)	pop. code	description	cross reference
022-01035	1.47	A	assembly	Kentucky #6616396000
022-01092	0.71	A	hinge strap only	
022-01093	0.23	A	hinge butt only - two bolt	

Kentucky Style "Belly Box" Hinge Assembly and Components

FEATURES

- Aluminum extrusions
- With inserts



SPECIFICATIONS

part no.	weight (lbs.)	pop. code	description	cross reference
022-01040	.65	A	assembly	Kentucky #6616600000
022-01090	.41	A	hinge strap only	
022-01091	.10	A	hinge butt only - single bolt	

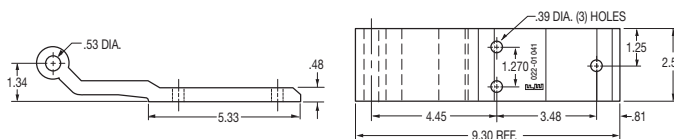
Manac Style Three-Hole Hinge

FEATURES

- Aluminum extrusion

ORDER DETAILS

- Orders in multiples of 10 shipped in shelf-ready box



SPECIFICATIONS

part no.	weight (lbs.)	pop. code	cross reference
022-01041	1.15	A	Manac, #V3K00002

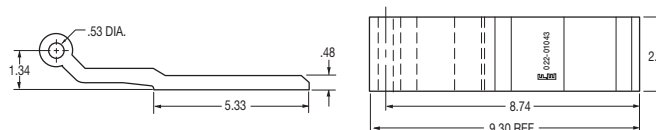
Manac Style Hinge (No Holes)

FEATURES

- Aluminum extrusion

ORDER DETAILS

- Orders in multiples of 10 shipped in shelf-ready box



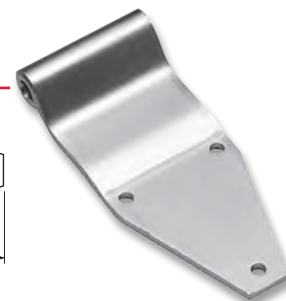
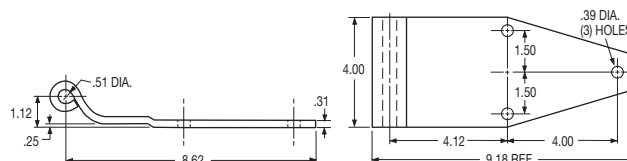
SPECIFICATIONS

part no.	weight (lbs.)	pop. code	cross reference
022-01043	1.15	A	Manac #353-239

Miller Style Three-Hole Hinge

FEATURES

- Steel stamping
- Zinc plated finish
- See page 149 for Miller style hinge assemblies



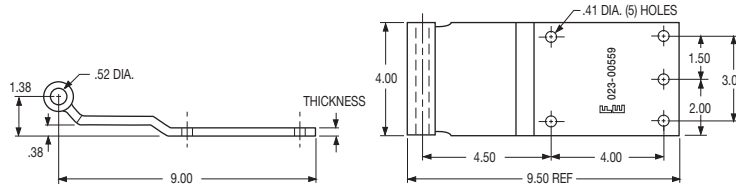
SPECIFICATIONS

part no.	weight (lbs.)	pop. code	recommended hinge pin	cross reference
022-00030	3.34	A	997-98017 021-00376	American #4-18-0055, Eberhard #5897, Miller #B17-0116C, Timpte #5897-2

Miner Style Five-Hole Hinge

FEATURES

- Steel construction
- Zinc plated finish



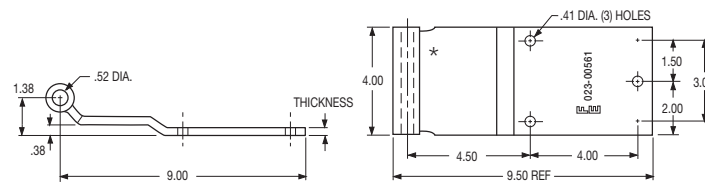
SPECIFICATIONS

part no.	weight (lbs.)	pop. code	thickness (in.)	mounting holes	rec. hinge butt	rec. hinge pin	zerk fitting	cross reference
023-00559	3.70	A	.31	five	023-00664	997-98017	no	H-1060-3, H-1060-4

Miner Style Three and Five-Hole Hinges

FEATURES

- Steel construction
- Zinc plated or hot-dipped galvanized finish
- Available with or without zerk fitting
- Available with or without collar type inserts 023-02009 is 4.18"



023-00561
Shown

SPECIFICATIONS

part no.	weight (lbs.)	pop. code	thickness (in.)	mnt'g. holes	finish	inserts	rec. hinge butt	rec. hinge pin	zerk fitting	cross reference
023-00561	3.10	A	.25	three	zinc	no	023-00664	997-98017	no	H-1081-3
023-01502	3.10	A	.25	three	zinc	no	023-00664	997-98017	yes	H-1081-3Z
023-02009	3.70	A	.25	five	galvan.	yes		997-98017	no	P108835, P108845, P108855

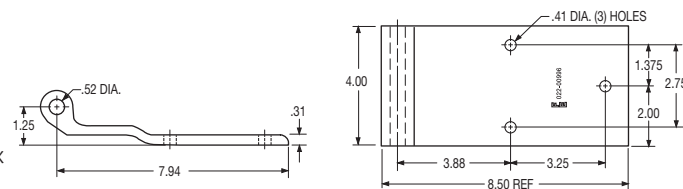
Monon Style Three-Hole Hinge

FEATURES

- Aluminum extrusion

ORDER DETAILS

- Orders in multiples of 10 shipped in shelf-ready box



SPECIFICATIONS

part no.	weight (lbs.)	pop. code	cross reference
022-00996	1.33	A	Monon #PC1310

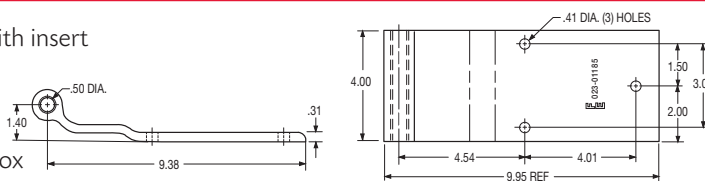
Monon Style Three-Hole Hinge

FEATURES

- Aluminum extrusion • With insert

ORDER DETAILS

- Orders in multiples of 10 shipped in shelf-ready box



SPECIFICATIONS

part no.	weight (lbs.)	pop. code	cross reference
022-01185	1.32	A	Monon #ED045011

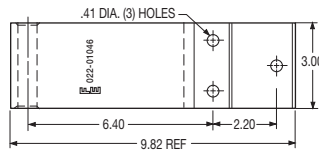
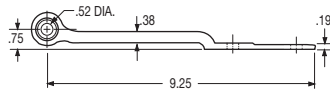
Morgan Style Three-Hole Hinge (Dry Freight Rear Door)

FEATURES

- Aluminum extrusion
- With Insert

ORDER DETAILS

- Orders in multiples of 10 shipped in shelf-ready box



SPECIFICATIONS

part no.	weight (lbs.)	pop. code	cross reference
022-01046	1.01	A	Morgan #004161

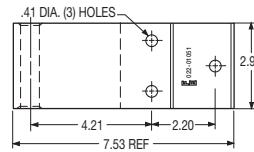
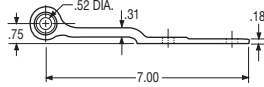
Morgan Style Three-Hole Hinge (Dry Freight Side Door)

FEATURES

- Aluminum extrusion
- With insert

ORDER DETAILS

- Orders in multiples of 10 shipped in shelf-ready box



SPECIFICATIONS

part no.	weight (lbs.)	pop. code	cross reference
022-01051	.66	A	Morgan #004141

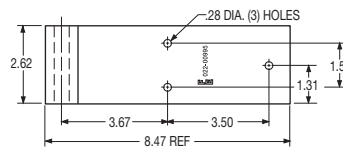
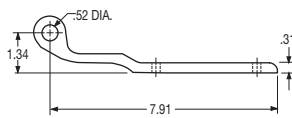
Pines Style Three-Hole Hinge

FEATURES

- Aluminum extrusion

ORDER DETAILS

- Orders in multiples of 10 shipped in shelf-ready box



SPECIFICATIONS

part no.	weight (lbs.)	pop. code	cross reference
022-00995	.84	A	Pines #AE54111, REB-0395

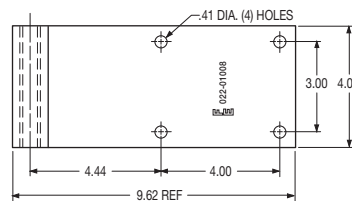
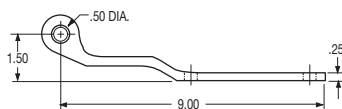
Stoughton Style Four-Hole Hinge

FEATURES

- Aluminum extrusion
- With insert

ORDER DETAILS

- Orders in multiples of 10 shipped in shelf-ready box



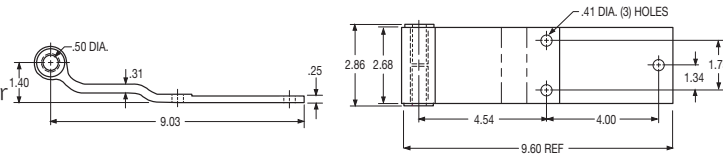
SPECIFICATIONS

part no.	weight (lbs.)	pop. code	recommended hinge pin	cross reference
022-01008	1.46	A	997-98017, 021-00376	Stoughton #04-08316-000-00

Stoughton Style Three-Hole Hinge

FEATURES

- Aluminum extrusion
- With inserts that have "collars" - making it easier to open and close doors



ORDER DETAILS

- Orders in multiples of 10 shipped in shelf-ready box

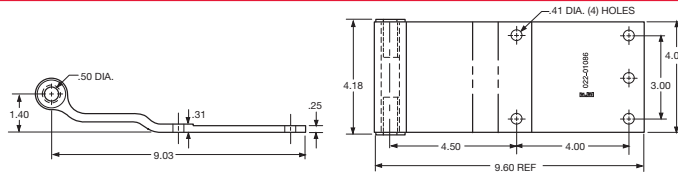
SPECIFICATIONS

part no.	weight (lbs.)	pop. code	cross reference
022-01081	.86	A	Stoughton #04-86386-001-00, #H-1086, #P108630

Stoughton Style Five-Hole Hinge

FEATURES

- Aluminum extrusion
- With inserts that have "collars" - making it easier to open and close doors
- Five hole design covers both three and four hole applications - reduces inventory



ORDER DETAILS

- Orders in multiples of 10 shipped in shelf-ready box

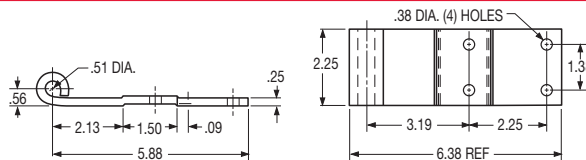
SPECIFICATIONS

part no.	weight (lbs.)	pop. code	cross reference
022-01086	1.26	A	#P108530, #P108540, #H-1085

Strick Style Four-Hole Hinge

FEATURES

- Steel stamping
- Zinc plated finish



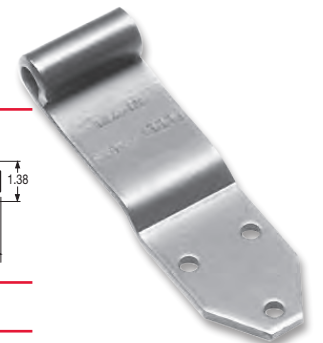
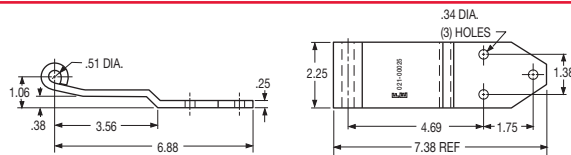
SPECIFICATIONS

part no.	weight (lbs.)	pop. code	cross reference
021-00010	1.20	B	Strick #6A-23557 and #AA35F00020100

Strick Style Three-Hole Hinge (Offset)

FEATURES

- Steel stamping
- Zinc plated finish



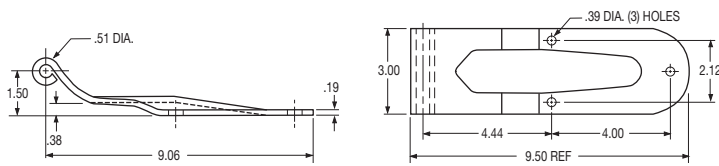
SPECIFICATIONS

part no.	weight (lbs.)	pop. code	cross reference
021-00025	1.30	B	Strick #AA35F00040100

Strick Style Three-Hole Hinge (with Stamped Reinforcing Rib)

FEATURES

- Steel construction
- Hot dip galvanized finish
- Stamped reinforcing rib



SPECIFICATIONS

part no.	weight (lbs.)	pop. code	recommended hinge butt	cross reference
022-00490	1.70	A	023-00642	Strick #AA33C01060100

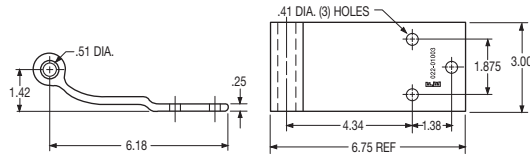
Strick Style Three-Hole Hinge

FEATURES

- Aluminum extrusion
- With insert

ORDER DETAILS

- Orders in multiples of 10 shipped in shelf-ready box



SPECIFICATIONS

part no.	weight (lbs.)	pop. code	cross reference
022-01003	.65	A	Strick #AA35F00100100

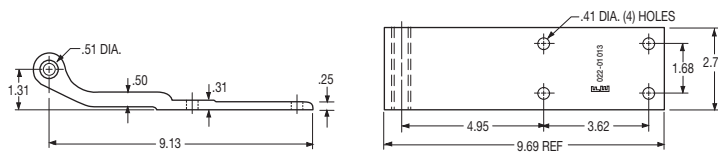
Strick Style Four-Hole Hinge

FEATURES

- Aluminum extrusion
- With insert

ORDER DETAILS

- Orders in multiples of 10 shipped in shelf-ready box



SPECIFICATIONS

part no.	weight (lbs.)	pop. code	cross reference
022-01013	1.13	A	Strick #AA35F00230100

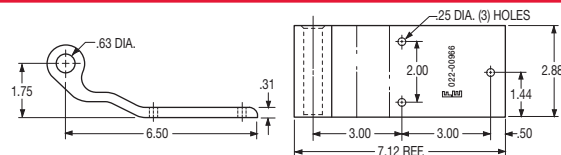
Trailmobile Style Three-Hole Hinge

FEATURES

- Aluminum extrusion

ORDER DETAILS

- Orders in multiples of 10 shipped in shelf-ready box



SPECIFICATIONS

part no.	wt. (lbs.)	pop. code	recommended hinge butt	recommended hinge pin	cross reference
022-00966	.90	A	023-00678	997-98016	Trailmobile #515-10-65

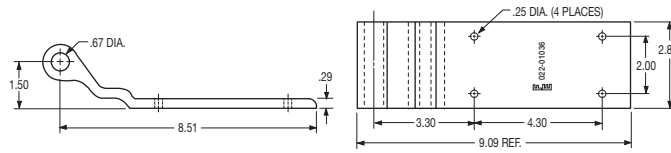
Trailmobile Style Four-Hole Hinge

FEATURES

- Aluminum extrusion

ORDER DETAILS

- Orders in multiples of 10 shipped in shelf-ready box



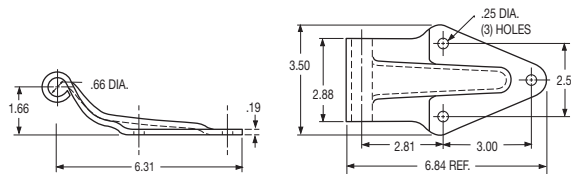
SPECIFICATIONS

part no.	weight (lbs.)	pop. code	recommended hinge pin	cross reference
022-01036	.96	A	997-98016	Trailmobile #515-10-78-1

Trailmobile Style Three-Hole Hinge

FEATURES

- Steel stamping
- Zinc plated finish



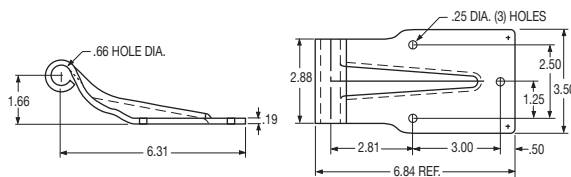
SPECIFICATIONS

part no.	wt. (lbs.)	pop. code	recommended hinge butt	recommended hinge pin	cross reference
023-00008	1.20	A	023-00678	997-98016	Trailmobile #515-10-61A

Trailmobile Style Three-Hole Hinge (Square End)

FEATURES

- Steel stamping
- Zinc plated finish



SPECIFICATIONS

part no.	wt. (lbs.)	pop. code	recommended hinge butt	recommended hinge pin	cross reference
023-00940	1.40	A	023-00678	997-98016	Trailmobile #515-10-73A

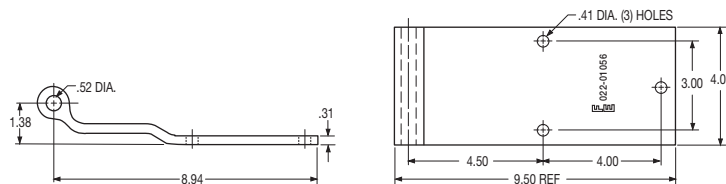
Utility Style Three-Hole Hinge

FEATURES

- Aluminum hinge

ORDER DETAILS

- Orders in multiples of 10 shipped in shelf-ready box



SPECIFICATIONS

part no.	weight (lbs.)	pop. code	recommended hinge pin	cross reference
022-01056	1.36	A	997-98017 or 997-98020	Utility #3410019

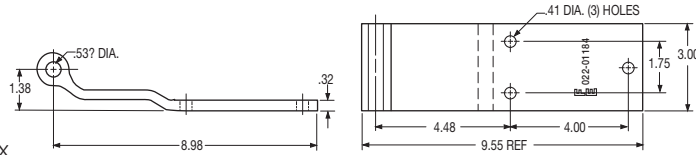
Utility Style Three-Hole Hinge

FEATURES

- Aluminum extrusion

ORDER DETAILS

- Orders in multiples of 10 shipped in shelf-ready box



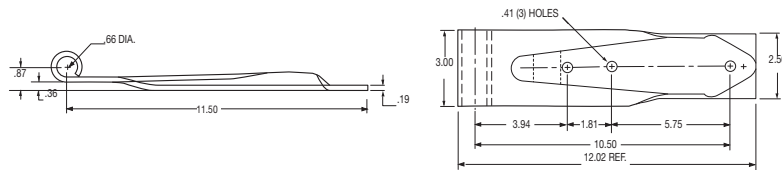
SPECIFICATIONS

part no.	weight (lbs.)	pop. code	cross reference
022-01184	1.07	A	Utility #3-4100-0022

Utility Style Three-Hole Hinge

FEATURES

- Steel construction
- Zinc plated finish
- Stamped reinforcing rib



SPECIFICATIONS

part no.	weight (lbs.)	pop. code	recommended hinge pin	cross reference
023-00943	2.19	A	997-98019	Utility #1-4950-004

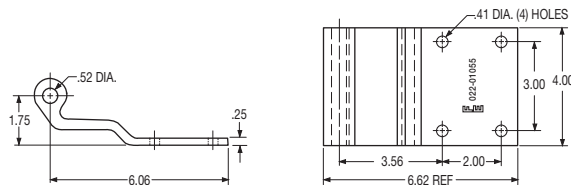
Vanco Style Four-Hole Hinge

FEATURES

- Aluminum Hinge

ORDER DETAILS

- Orders in multiples of 10 shipped in shelf-ready box



SPECIFICATIONS

part no.	weight (lbs.)	pop. code	recommended hinge pin	cross reference
022-01055	1.10	A	997-98017, 021-00376	Vanco #20038

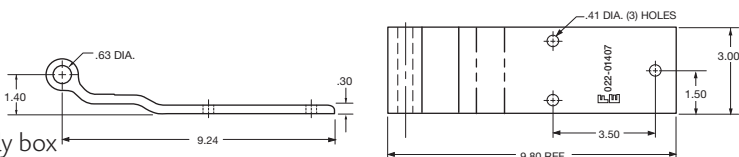
Vanguard Style Three-Hole Hinge

FEATURES

- Aluminum extrusion

ORDER DETAILS

- Orders in multiples of 10 shipped in shelf-ready box



SPECIFICATIONS

part no.	weight (lbs.)	pop. code	description	cross reference
022-01407	1.07	A	hinge only	RFP00127
022-01404	.001	A	insert only	BSH-0001

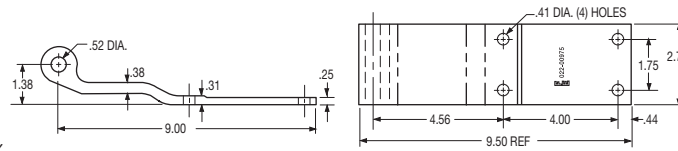
Wabash Style Four-Hole Hinge

FEATURES

- Aluminum extrusion

ORDER DETAILS

- Orders in multiples of 10 shipped in shelf-ready box



SPECIFICATIONS

part no.	weight (lbs.)	pop. code	recommended hinge butt	cross reference
022-00975	1.01	A	023-00669, 021-00308	WAB06300291, Wabash #21100291

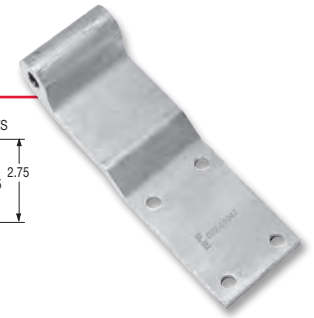
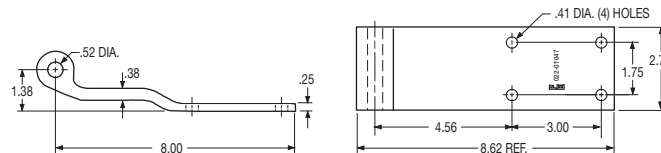
Wabash Style Four-Hole Hinge (Reefer)

FEATURES

- Aluminum extrusion

ORDER DETAILS

- Orders in multiples of 10 shipped in shelf-ready box



SPECIFICATIONS

part no.	weight (lbs.)	pop. code	recommended hinge butt	cross reference
022-01047	.96	A	023-00669, 021-00308	WAB06301272, Wabash #21101272

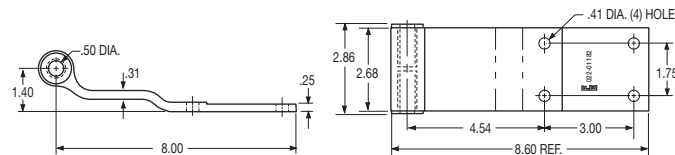
Wabash Style Four-Hole Hinge

FEATURES

- Aluminum extrusion
- With inserts that have "collars" - making it easier to open and close doors

ORDER DETAILS

- Orders in multiples of 10 shipped in shelf-ready box



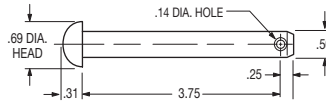
SPECIFICATIONS

part no.	weight (lbs.)	pop. code	recommended hinge butt	cross reference
022-01182	.78	A	023-00669, 021-00308	WAB06301527, WAB06302245, Miner #1089, Miner #P108940

Dorsey Style Hinge Pin

FEATURES

- Zinc plated finish
- End hole for cotter pin



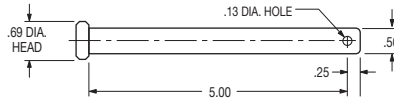
SPECIFICATIONS

part no.	weight (lbs.)	pop. code	dia. (in.)	length (in.)	recommended cotter pin	cross reference
997-98022	.23	A	.50	4.00	994-00105	Dorsey #5248614

Fruehauf and Miner Style Hinge Pin

FEATURES

- End hole for cotter pin



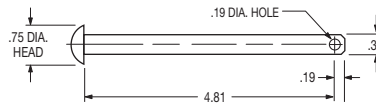
SPECIFICATIONS

part no.	weight (lbs.)	pop. code	description	dia. (in.)	length (in.)	recommended cotter pin	cross reference
997-98017	.30	A	zinc plated hinge pin	.50	5.25	994-00105	Fruehauf #WCE007812-001 Miner #HP-1054-4
997-98020	.30	A	stainless steel hinge pin	.50	5.25	994-00105	Miner #HP-1054-9
993-00109	.02	A	SAE zinc washer				Miner #HW-1054-8x

Great Dane Style Hinge Pin (Round Head)

FEATURES

- Zinc plated finish
- End hole for cotter pin



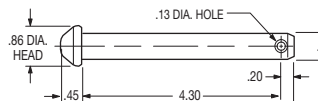
SPECIFICATIONS

part no.	weight (lbs.)	pop. code	dia. (in.)	length (in.)	recommended cotter pin	cross reference
997-98015	.17	A	.38	5.00	994-00105	Great Dane #44573

Great Dane Style Hinge Pin

FEATURES

- Zinc plated finish
- End hole for cotter pin



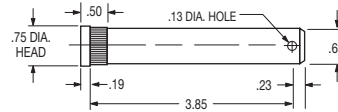
SPECIFICATIONS

part no.	weight (lbs.)	pop. code	dia. (in.)	length (in.)	recommended cotter pin	cross reference
997-98027	.29	A	.50	4.50	994-00105	Great Dane #3190100

Trailmobile Style Hinge Pin

FEATURES

- Zinc plated finish
- End hole for cotter pin



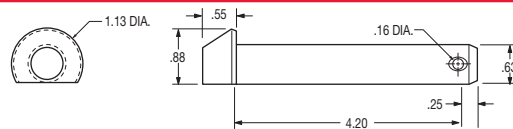
SPECIFICATIONS

part no.	weight (lbs.)	pop. code	dia. (in.)	length (in.)	recommended cotter pin	cross reference
997-98016	.37	A	.63	4.25	994-00105	Trailmobile #515-12-13

Utility Style Hinge Pin

FEATURES

- Zinc plated finish
- End hole for cotter pin



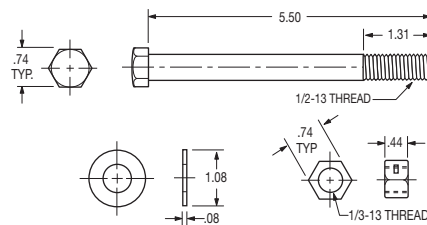
SPECIFICATIONS

part no.	weight (lbs.)	pop. code	dia. (in.)	length (in.)	recommended cotter pin	cross reference
997-98019	.44	A	.63	4.45	994-00105	Utility #3-6101-08, 3-6101-071

Hinge Bolt-Pin Hardware Packaged Set

FEATURES

- Steel construction
- Zinc plated finish
- Packaged Set includes one bolt, one nut, and four washers
- Bolt size is 1/2-13 x 5.50 long



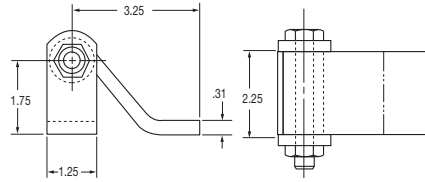
SPECIFICATIONS

part no.	weight (lbs.)	pop. code
021-00376	.42	A

3.25" Narrow Butt Hinge Assembly

FEATURES

- Steel construction, plain finish
- Includes removable pin using nut, bolt, and thrust washers



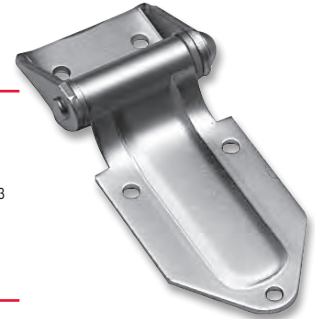
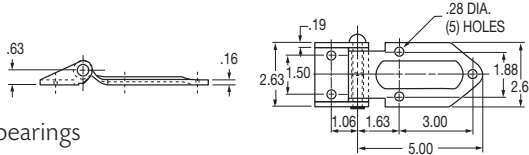
SPECIFICATIONS

part no.	weight (lbs.)	pop. code	mount type	cross reference
021-00181	2.20	A	flush weld-on	Austin #AH-001

5.00" Square Butt Hinge Assembly

FEATURES

- Stamped steel construction
- Zinc plated finish
- Stamped reinforcing rib
- Non-removable steel pin and nylon sleeve bearings



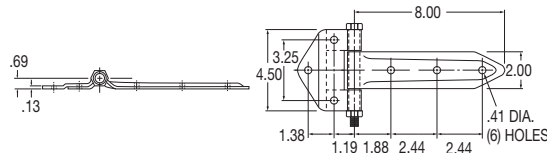
SPECIFICATIONS

part no.	weight (lbs.)	pop. code	mount type	description	cross reference
022-00631	1.00	C	flush	left hand	Eberhard #5867
022-00633	1.00	A	flush	right hand	Eberhard #5867

8.00" Embossed Hinge Assembly (with Stamped Reinforcing Rib)

FEATURES

- Steel construction, zinc plated finish
- Stamped reinforcing rib
- Made with hardened steel truss bearings to effectively carry door loads
- Includes removable pin using nut, bolt, and thrust washers



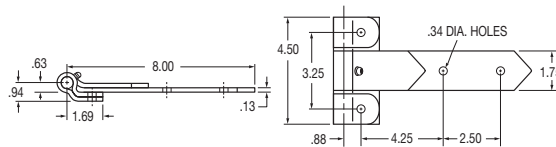
SPECIFICATIONS

part no.	weight (lbs.)	pop. code	mount type	cross reference
022-00605	1.70	C	flush	Eberhard #1-5869 zinc, Polar #2008R

8.00" Reverse Butt Leaf Hinge Assemblies

FEATURES

- Steel construction
- Non-removable pin and thrust washers
- Aluminum construction contains a zinc plated pin
- Reverse leaves
- With zerk fitting



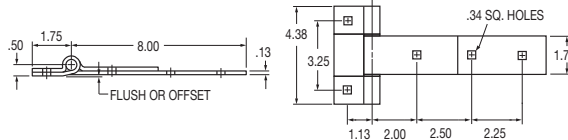
SPECIFICATIONS

part no.	wt. (lbs.)	pop. code	mount type	construction	cross reference
022-00587	2.12	B	flush	zinc plated	#8 RB, w/zerk, riveted leaves, zinc plated

8.00" Square Butt Leaf Hinge Assemblies

FEATURES

- Stainless steel construction with spot welded leaves and thrust washers
- Polished finish
- Available in .34" square hole and .34" round hole
- Minimum order of 100



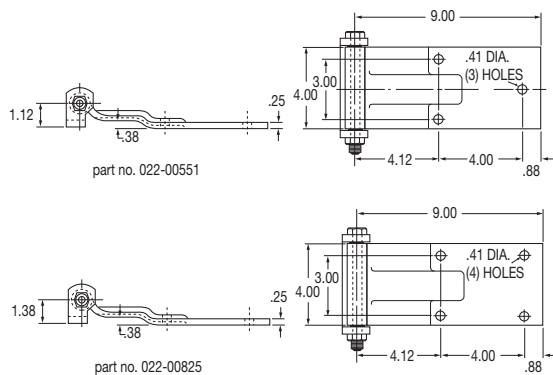
SPECIFICATIONS

part no.	weight (lbs.)	pop. code	mount type	hole type	pin	construction
022-00808	1.79	C	flush	round	removable	polished stainless steel

9.00" Narrow Butt Hinge Assemblies (with Embossed Rib)

FEATURES

- Heavy-duty steel construction
- Zinc plated finish
- Includes nut, bolt, and thrust washers



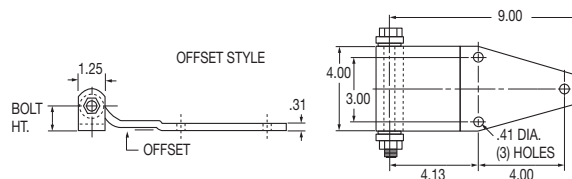
SPECIFICATIONS

part no.	weight (lbs.)	pop. code	mount type	hinge end type	cross reference
022-00551	4.10	A	flush w/ embossed rib (3-hole)	rolled	#A1-5884-U flush, zinc; #N1809-003B
022-00825	4.10	C	flush w/ embossed rib (4-hole)	welded barrel	#B2-5884; #N1809-004B

9.00" Narrow Butt Hinge Assemblies (Miller Style)

FEATURES

- Heavy-duty steel construction
- Zinc plated finish
- Includes nut, bolt, and thrust washers



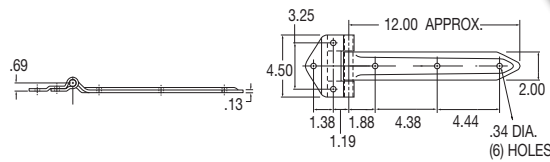
SPECIFICATIONS

part no.	weight (lbs.)	pop. code	offset dim.	bolt height	cross reference
022-00545	4.70	B	.62 offset	1.75	Austin #9-5
022-00830	4.70	B	flush	1.12	Austin #9-5

12.00" Embossed Hinge Assemblies (with Stamped Reinforcing Rib)

FEATURES

- Steel construction
- Stamped reinforcing rib
- Non-removable steel pin and thrust washers



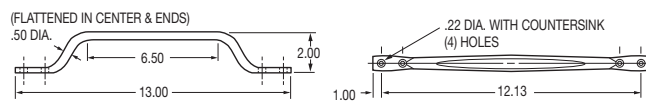
SPECIFICATIONS

part no.	weight (lbs.)	pop. code	mount type	construction	cross reference
022-00612	1.88	C	flush	zinc plated	Eberhard #5870 zinc, Polar #2012

Grab Handles

FEATURES

- Steel construction
- Available in zinc and chrome finishes



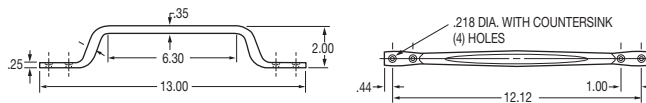
SPECIFICATIONS

part no.	weight (lbs.)	pop. code	construction	cross reference
022-00626	.80	A	zinc plated steel	Eberhard #4300 zinc
022-00627	.80	A	chromed steel	Eberhard #4300 chrome

Aluminum Handle

FEATURES

- Aluminum construction



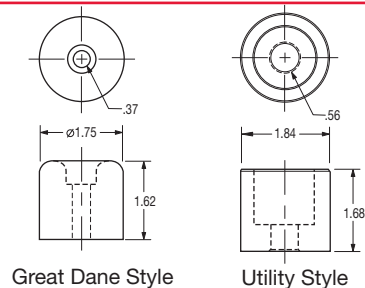
SPECIFICATIONS

part no.	weight (lbs.)	pop. code
022-00629	.27	A

Door Bumpers

FEATURES

- Rubber construction
- Helps protect swing doors from getting scratched, dented, etc.
- Part number represents one bumper

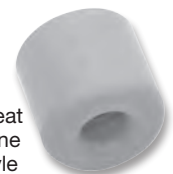


SPECIFICATIONS

part no.	weight (lbs.)	pop. code	color	cross ref.
022-01084	.14	A	gray	Great Dane #45064
022-01085	.17	A	gray	Utility #3-1250-25



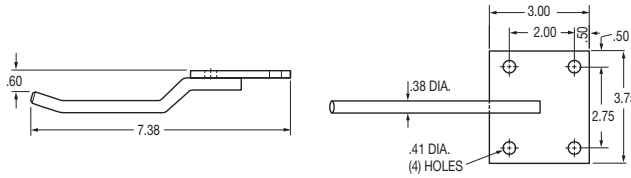
Great Dane Style



Four-Hole Hold-Back

FEATURES

- Steel construction
- Zinc plated finish



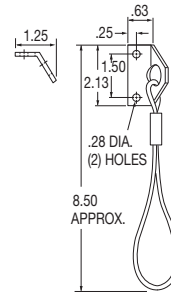
SPECIFICATIONS

part no.	weight (lbs.)	pop. code
022-00070	.80	A

Fruehauf Style Hold-Back

FEATURES

- Steel construction
- Zinc plated finish
- Plastic coated cable



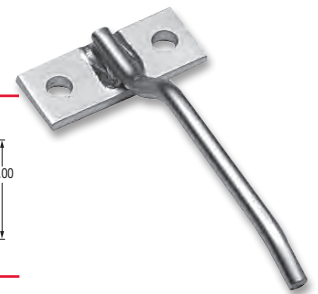
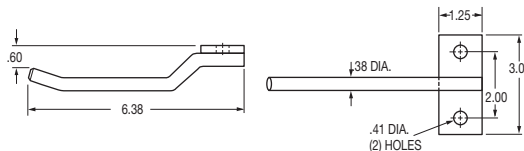
SPECIFICATIONS

part no.	weight (lbs.)	pop. code
022-00487	.40	A

Fruehauf Style Two-Hole Hold-Back

FEATURES

- Steel construction
- Zinc plated finish



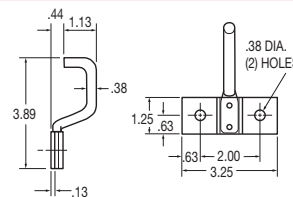
SPECIFICATIONS

part no.	weight (lbs.)	pop. code	cross reference
022-00081	.50	A	Fruehauf #586930, Eberhard #EBH6602-50

Pig-Tail Hold-Back

FEATURES

- Steel construction
- Zinc plated finish
- Projection welded



SPECIFICATIONS

part no.	weight (lbs.)	pop. code
022-00577	.30	A

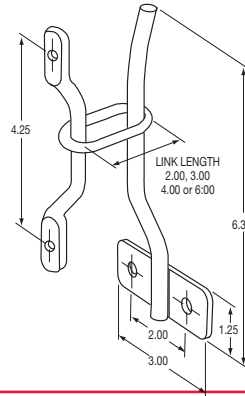
Hold-Back Packaged Sets and Components

FEATURES

- Hot-dipped galvanized finish
- Hook mounting holes are .41"
- Handle mounting holes are .20"

ORDER DETAILS

- Package set consists of loop, handle type anchor, and hold-back hook



SPECIFICATIONS

part no.	weight (lbs.)	pop. code	description
021-00371	0.67	A	2" style hold back asm. packaged set
021-00372	0.72	A	3" style hold back asm. packaged set
021-00373	0.75	A	4" style hold back asm. packaged set
021-00374	0.80	A	6" style hold back asm. packaged set
022-01076	0.12	A	2.00" loop only
022-01079	0.17	A	3.00" loop only
022-01077	0.20	A	4.00" loop only
022-01078	0.25	A	6.00" loop only
022-00628	0.14	A	handle only
022-00081	0.50	A	hold back hook only

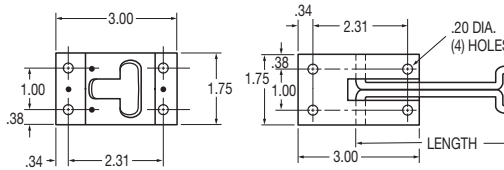
T-Slot Hold-Back Packaged Sets and Component Parts

FEATURES

- Stainless or zinc plated finish

ORDER DETAILS

- Packaged set part numbers includes base and tee holder



TEE HOLDER

SPECIFICATIONS

part no.	weight (lbs.)	pop. code	description	construction	tee bar length (in.)	cross reference
022-00521	.20	A	base only	stainless steel	na	
022-00522	.20	A	base only	zinc plated steel	na	
022-00989	.16	A	tee holder only	zinc plated steel	2.00	
022-00990	.19	A	tee holder only	zinc plated steel	4.00	
022-00991	.23	A	tee holder only	zinc plated steel	6.00	
022-00992	.16	A	tee holder only	stainless steel	2.00	
022-00993	.19	A	tee holder only	stainless steel	4.00	
022-01020	.36	A	packaged sets	zinc plated steel	2.00	
022-01021	.36	A	packaged sets	stainless steel	2.00	
022-01022	.39	A	packaged sets	zinc plated steel	4.00	5601, 29-4, No. 9
022-01023	.39	A	packaged sets	stainless steel	4.00	29-4, No. 9 SS
022-01024	.43	A	packaged sets	zinc plated steel	6.00	6-5601, No. 8

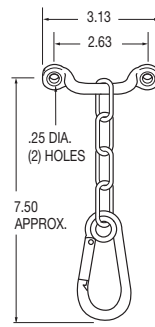


BASE

Chain and Snap Hold-Back Assembly Packaged Sets and Component Parts

FEATURES

- Steel construction
- Zinc plated finish



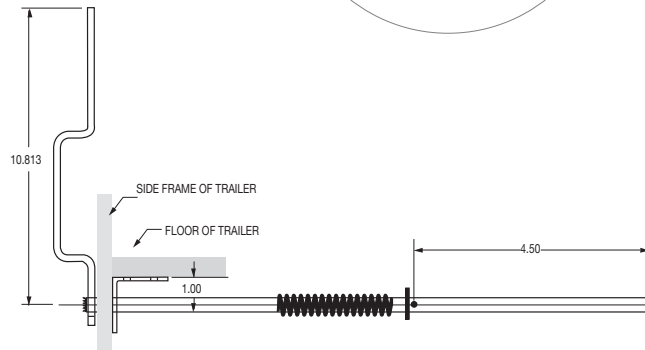
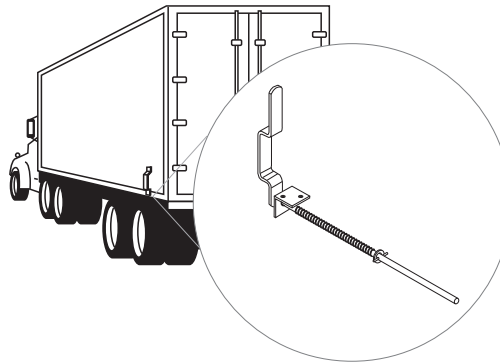
SPECIFICATIONS

part no.	weight (lbs.)	pop. code	description	cross reference
021-00051	.25	A	pkg. set chain, snap assembly and anchor	
021-00050	.17	A	pkg. set chain, snap assembly	P-2005
021-00043	.04	A	handle type anchor only	#48
021-00053	.02	A	lap link only (used on old style snap assembly)	

Spring Loaded Hold-Back Assembly

FEATURES

- Steel construction
- Black primer finish
- .50" diameter steel rod
- 10.75" handle length
- 6.00" extension
- High strength steel spring
- Rugged, simple construction
- Mounts through trailer's side and under the floor



SPECIFICATIONS

part no.	weight (lbs.)	pop. code
023-00024	2.70	A

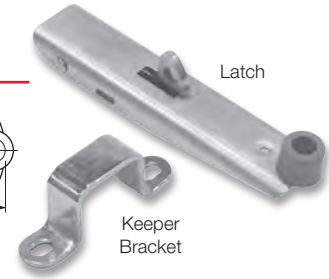
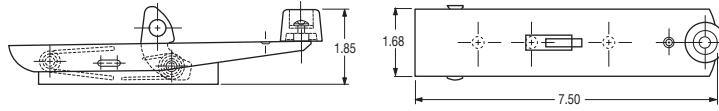
"Belly Box" Latch Assembly Packaged Sets

FEATURES

- Stainless steel or zinc finish

ORDER DETAILS

- Packaged set latch assembly includes latch and keeper bracket



SPECIFICATIONS

part no.	weight (lbs.)	pop. code	construction	cross reference
024-03040	.91	A	stainless steel	Penz #10-1300 S/S
024-03056	.91	A	zinc	Penz #10-1300 Z/P

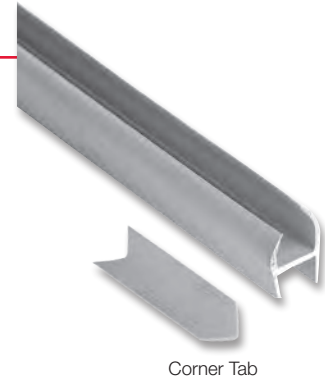
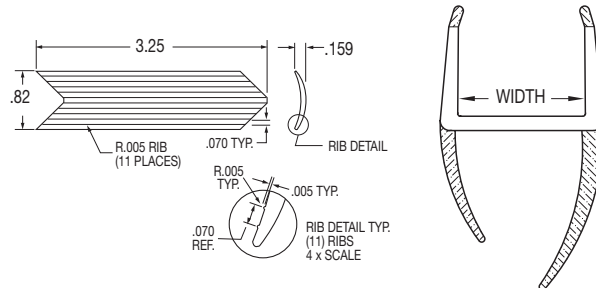
Swing Door Dual-Durometer Door Seals

FEATURES

- 168.00" length
- Light gray color

ORDER DETAILS

- Seal part number represents one piece
- Corner tab pkg. set represents 24 pieces
- Due to length of seals, unable to ship via package carrier (UPS, FedEx, etc.)



SPECIFICATIONS

part no.	weight (lbs.)	pop. code	description	width dim. door thickness (in.)
022-01300	3.69	A	seal	.75"
022-01301	4.64	A	seal	1.00"
022-01305	3.79	A	seal	.50"
022-01303	6.33	A	seal	1.25"
022-01306	.005	A	corner tab pkg. set (qty. 24)	-

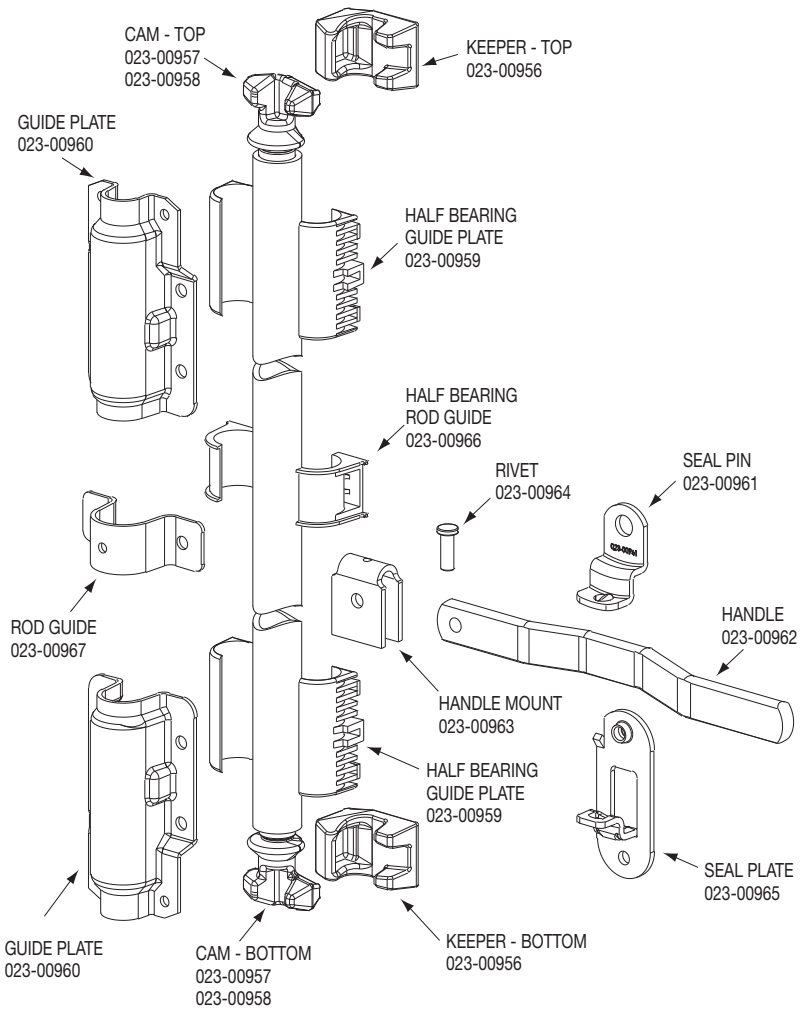
Miner Style Lockrod Packaged Set

FEATURES

- Lock rod pipe is .105" wall and galvanized

ORDER DETAILS

- Lock rod pipe is NOT INCLUDED in packaged set
- Packaged set includes, two keepers, two cams, four half bearing guide plates, two half bearing rod guides, two guide plates, rod guide, handle, handle mount, seal, plate, seal pin, and rivet



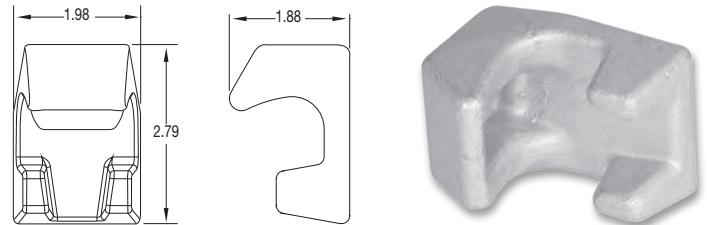
SPECIFICATIONS

part no.	weight (lbs.)	pop. code	description	length	ID dia.	cross ref.
021-00312	13.25	A	packaged set	-	-	MN-DL-BU
023-00968	13.79	A	lock rod pipe	120.00"	1.12"	-

Miner Style Top and Bottom Keeper

FEATURES

- Hot-dip galvanized finish
- Part number represents one keeper



SPECIFICATIONS

part no.	weight (lbs.)	pop. code	cross ref.
023-00956	1.05	A	MN-1064

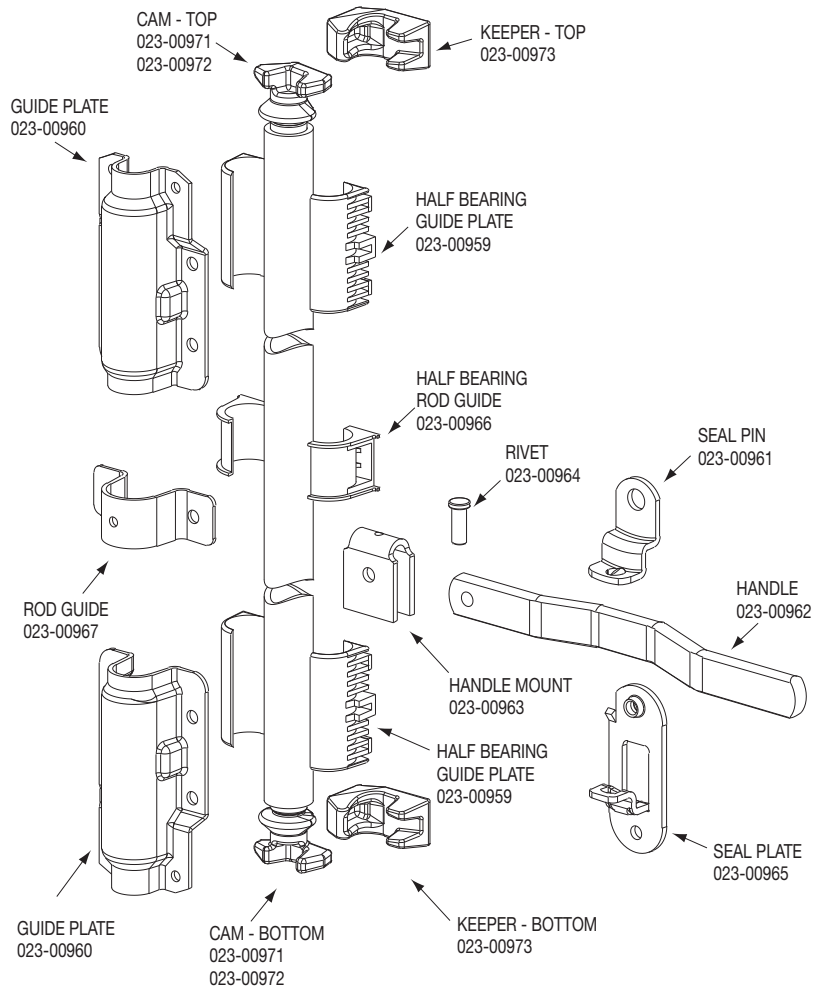
Miner Style (Narrow Version) Lockrod Packaged Set

FEATURES

- Lock rod pipe is .105" wall and galvanized

ORDER DETAILS

- Lock rod pipe is NOT INCLUDED in packaged set
- Packaged set includes, two keepers, two cams, four half bearing guide plates, two half bearing rod guides, two guide plates, rod guide, handle, handle mount, seal plate, seal pin, and rivet



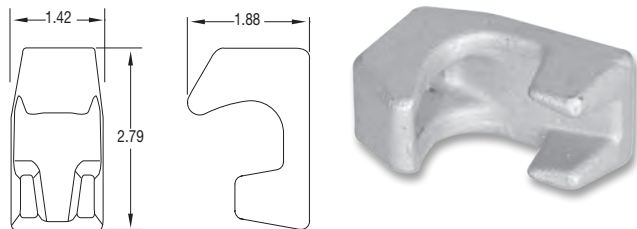
SPECIFICATIONS

part no.	weight (lbs.)	pop. code	description	length	ID dia.	cross ref.
021-00313	12.25	A	packaged set	-	-	MN-DL-NH
023-00968	13.79	A	lock rod pipe	120.00"	1.12"	-

Miner Style (Narrow Version) Top and Bottom Keeper

FEATURES

- Hot-dip galvanized finish
- Part number represents one keeper



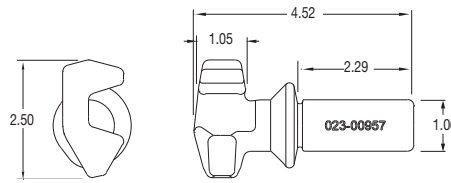
SPECIFICATIONS

part no.	weight (lbs.)	pop. code	cross ref.
023-00973	1.05	A	MN-4140

Miner Style Top and Bottom Cams

FEATURES

- Hot-dip galvanized finish



Left hand shown
(for roadside bottom or
curbside top)

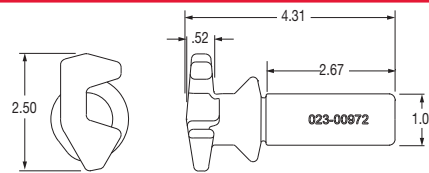
SPECIFICATIONS

part no.	weight (lbs.)	pop. code	description	cross ref.
023-00957	1.35	A	left-hand (for roadside bottom or curbside top)	MN-4043
023-00958	1.35	A	right-hand (for curbside bottom or roadside top)	MN-4044

Miner Style (Narrow Version) Top and Bottom Cams

FEATURES

- Hot-dip galvanized finish



Left hand shown
(for roadside bottom or
curbside top)

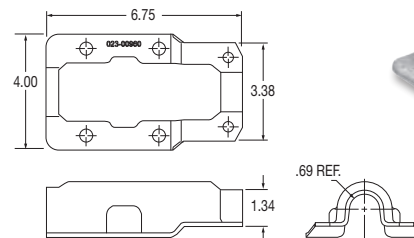
SPECIFICATIONS

part no.	weight (lbs.)	pop. code	description	cross ref.
023-00972	1.35	A	left-hand (for roadside bottom or curbside top)	MN-4142
023-00971	1.35	A	right-hand (for curbside bottom or roadside top)	MN-4141

Miner Style Top and Bottom Guide Plate

FEATURES

- Hot-dip galvanized finish
- Part number represents one guide plate



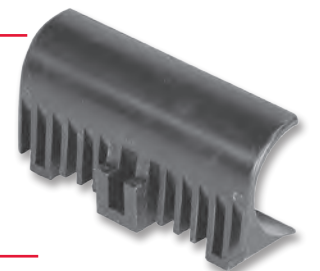
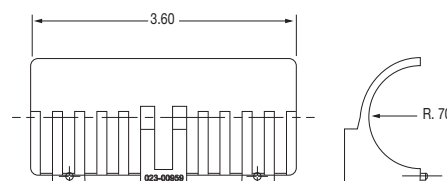
SPECIFICATIONS

part no.	weight (lbs.)	pop. code	cross ref.
023-00960	1.46	A	MN-4207

Miner Style Top and Bottom Half Bearing Guide Plates

FEATURES

- Black plastic
- Part number represents one guide plate



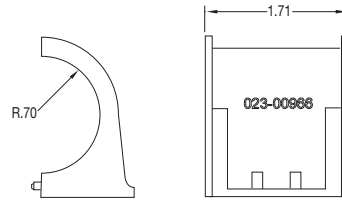
SPECIFICATIONS

part no.	weight (lbs.)	pop. code	cross ref.
023-00959	0.06	A	MN-4042

Miner Style Half-Bearing Rod Guide

FEATURES

- Black plastic
- Part number represents one rod guide



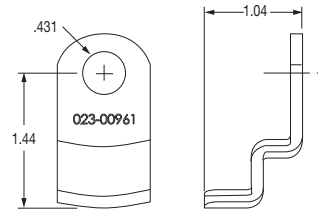
SPECIFICATIONS

part no.	weight (lbs.)	pop. code	cross ref.
023-00966	0.35	A	MN-4006

Miner Style Seal Pin

FEATURES

- Hot-dip galvanized finish



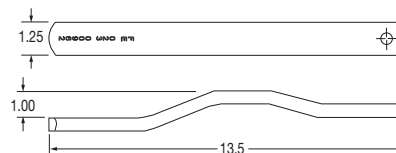
SPECIFICATIONS

part no.	weight (lbs.)	pop. code	cross ref.
023-00961	0.24	A	MN-4012

Miner Style Handle

FEATURES

- Hot-dip galvanized finish



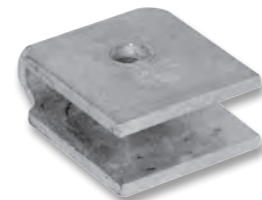
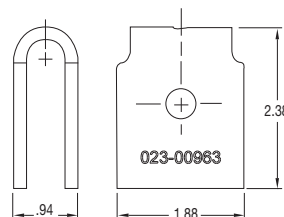
SPECIFICATIONS

part no.	weight (lbs.)	pop. code	cross ref.
023-00962	2.27	A	MN-4090

Miner Style Handle Mount

FEATURES

- Hot-dip galvanized finish



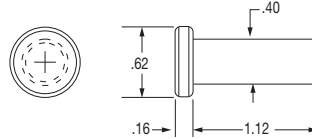
SPECIFICATIONS

part no.	weight (lbs.)	pop. code	cross ref.
023-00963	0.45	A	MN-4208

Miner Style Lock Handle Rivet

FEATURES

- Hot-dip galvanized finish



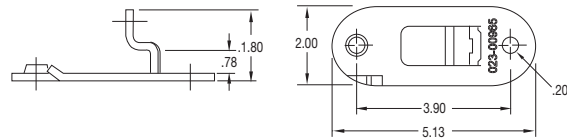
SPECIFICATIONS

part no.	weight (lbs.)	pop. code	cross ref.
023-00964	0.06	A	MN-4049

Miner Style Seal Plate

FEATURES

- Hot-dip galvanized finish



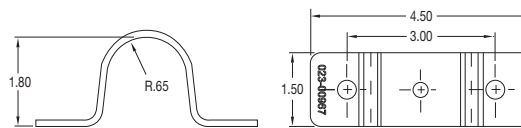
SPECIFICATIONS

part no.	weight (lbs.)	pop. code	cross ref.
023-00965	0.47	A	MN-4011

Miner Style Lock Rod Guide

FEATURES

- Hot-dip galvanized finish



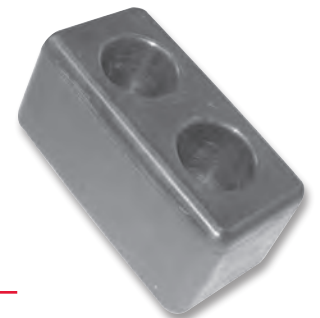
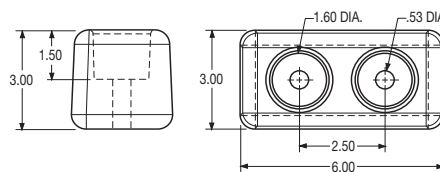
SPECIFICATIONS

part no.	weight (lbs.)	pop. code	cross ref.
023-00967	0.37	A	MN-4005

Trailer Dock Bumper

FEATURES

- Molded durable rubber compound
- Two .53" mounting holes



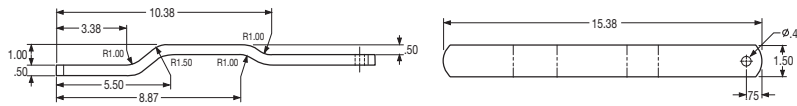
SPECIFICATIONS

part no.	weight (lbs.)	pop. code
022-01409	2.64	A

Pro-Par Style Handle

FEATURES

- Steel construction
- Zinc plated finish



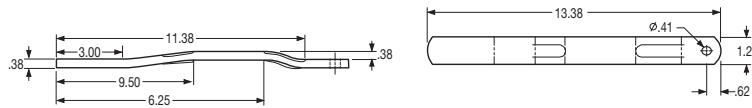
SPECIFICATIONS

part no.	weight (lbs.)	pop. code	length (in.)	width (in.)	thickness (in.)	cross reference
023-00021	3.33	C	15.38	1.50	.50	Fruehauf #DCD-0292-1

Eberhard Style Handle

FEATURES

- Steel construction
- Zinc plated finish



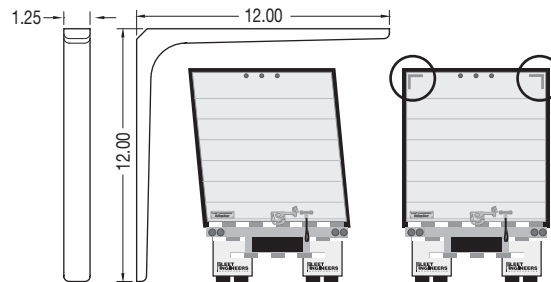
SPECIFICATIONS

part no.	weight (lbs.)	pop. code	length (in.)	width (in.)	thickness (in.)	cross reference
023-00491	1.70	B	13.38	1.25	.38	Eberhard #1969-6X

Corner Iron

FEATURES

- Perfect 90°, helps "square up" trailer
- 12" x 12" x 1-1/4" wide
- Forged steel construction
- Part number represents one piece



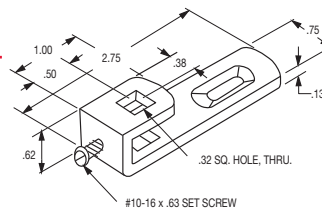
SPECIFICATIONS

part no.	weight (lbs.)	pop. code
023-00975	4.85	A

Cam Assembly

FEATURES

- Steel construction
- Zinc plated finish
- Set screw included



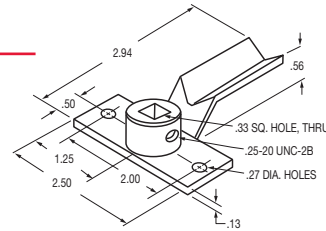
SPECIFICATIONS

part no.	weight (lbs.)	pop. code	cross reference
021-00184	.10	C	Eberhard #5559

Retainer Cam Assembly

FEATURES

- Steel construction
- Zinc plated finish



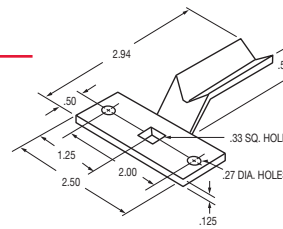
SPECIFICATIONS

part no.	weight (lbs.)	pop. code	cross reference
021-00217	.44	A	Austin #16 Special

Retainer Cam

FEATURES

- Steel construction
- Zinc plated finish



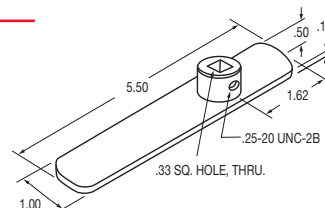
SPECIFICATIONS

part no.	weight (lbs.)	pop. code	cross reference
021-00256	.12	B	Austin #16

Latch Bar Assembly

FEATURES

- Steel construction
- Zinc plated finish



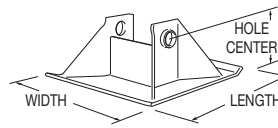
SPECIFICATIONS

part no.	weight (lbs.)	pop. code	cross reference
021-00207	.30	A	similar to Austin #8702

Standard Design Sand Shoes

FEATURES

- Full welded steel construction
- Black E-coat finish
- .19" center support for added strength
- Standard 2.03" diameter extended axle holes spaced 6.00" apart



ORDER DETAILS

- Non-standard shoes available on a special order basis (100 piece minimum)

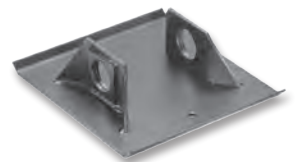
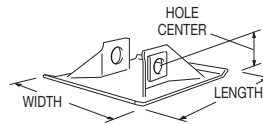
SPECIFICATIONS

part no.	weight (lbs.)	pop. code	width (in.)	base length (in.)	gusset thickness (in.)	thickness (in.)	center support	hole bearing plate	center (in.)	cross reference
013-01192	9.50	A	10.00	10.00	.19	.19	yes	no	4.44	05-300, 1291
013-01196	12.90	A	12.00	12.00	.19	.19	yes	no	4.44	05-319

Low Mount Style Sand Shoes

FEATURES

- Steel construction with black E-coat finish
- Standard 2.03" diameter plain axle holes
- Side bearing plates for gussets



ORDER DETAILS

- Non-standard shoes available on a special order basis (100 piece minimum)

SPECIFICATIONS

part no.	weight (lbs.)	pop. code	width (in.)	base length (in.)	gusset thickness (in.)	thickness (in.)	hole bearing plate	center (in.)	cross reference
013-00073	8.70	A	10.00	10.00	.19	.19	yes	1.94	1295, 05-310
013-01604	11.90	A	12.00	12.00	.19	.19	yes	1.94	05-312

Welded Cap Axle

FEATURES

- Welded steel construction with black primer finish

ORDER DETAILS

- Includes one axle and hardware set (hex bolt, lock nut, and half collar)
- Non-standard axles available on a special order basis (100 pc. min.)



SPECIFICATIONS

part no.	weight (lbs.)	pop. code	description	length (in.)	O.D. (in.)	thickness (in.)	application	cross reference
013-00232	2.15	A	axle pkg. set	8.50	1.88	.14	standard foot	06-410
013-00244	3.00	A	axle pkg. set	8.50	1.90	.20	standard foot	06-411, 1407 kit
013-00336	4.90	C	axle bulk kit	15.25	1.90	.20	standard-duty wheels	06-421
011-00136	.15	A	hardware set					

Flared End Axle

FEATURES

- Steel construction with black primer finish

ORDER DETAILS

- Includes one axle and hardware set (hex bolt, lock nut, and half collar)
- Non-standard axles available on a special order basis (100 pc. min.)



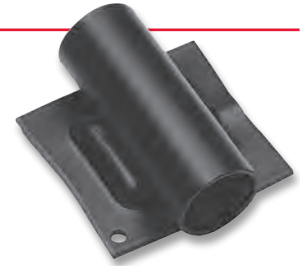
SPECIFICATIONS

part no.	weight (lbs.)	pop. code	description	length (in.)	O.D. (in.)	thickness (in.)	application	cross reference
013-00240	2.50	A	axle pkg. set	8.50	1.90	.20	standard foot	06-405, 1305 kit
011-00136	.15	A	hardware set					

Axle Housing

FEATURES

- Steel construction
- Black primer finish
- 2.00" I.D. axle housing



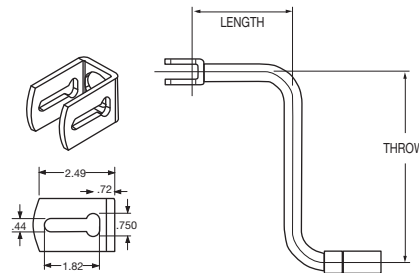
SPECIFICATIONS

part no.	weight (lbs.)	pop. code	application	cross reference
013-00198	3.10	A	4.00" outer square or 4.50" O.D. round lower legs	06-345 1294

Horizontal Folding Cranks

FEATURES

- Metal handle
- Steel construction
- Black E-coat finish
- Handle is 3.75" long
- Tube O.D. size is 1.25"



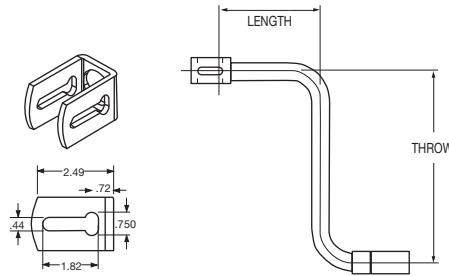
SPECIFICATIONS

part no.	weight (lbs.)	pop. code	length (in.)	throw (in.)	cross reference
013-00426	2.70	A	7.50	13.50	03-207-H, LG0083.02, 1695
013-00427	3.10	A	11.50	13.50	03-211-H, LG0083.04, 1296
013-00429	3.50	A	16.25	13.50	03-215-H, 1297
013-00430	4.10	A	20.00	13.50	03-221-H, LG0083.06, 1298

Vertical Folding Cranks

FEATURES

- Metal handle
- Steel construction
- Black E-coat finish
- Handle is 3.75" long
- Tube O.D. size is 1.25"



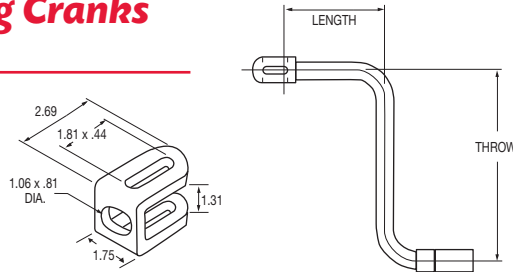
SPECIFICATIONS

part no.	weight (lbs.)	pop. code	length (in.)	throw (in.)	cross reference
013-00436	2.70	A	7.50	13.50	03-207-V, LG0083.01, 1664
013-00437	3.10	A	11.50	13.50	03-211-V, LG0083.03, 1365
013-00439	3.50	A	16.25	13.50	03-215-V, 1366
013-00440	4.10	A	20.00	13.50	03-221-V, LG0083.05, 1367

Holland Style Vertical Folding Cranks

FEATURES

- Metal handle
- Steel construction
- Black primer finish
- Handle is 3.75" long
- Tube O.D. size is 1.00"



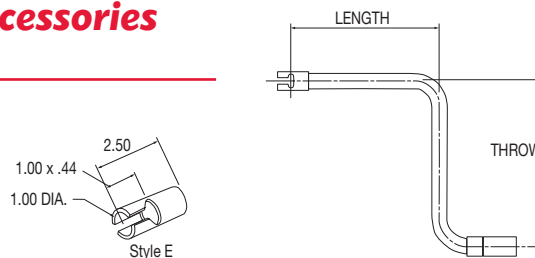
SPECIFICATIONS

part no.	weight (lbs.)	pop. code	length (in.)	throw (in.)	cross reference
013-00487	3.28	A	11.38	13.50	Holland #XA-V-90-0
013-01978	4.10	A	20.00	13.50	Holland #XA-N-90-11

Removable Cranks and Accessories

FEATURES

- Metal handle
- Steel construction
- Black primer finish
- Handle is 3.75" long



SPECIFICATIONS

part no.	wt. (lbs.)	pop. code	description	length (in.)	throw (in.)	crossreference
013-00496	2.70	C	crank	7.50	13.50	LG0082.01
013-00498	3.10	C	crank	11.50	13.50	LG0082.02
013-00500	3.50	C	crank	16.25	13.50	
013-00501	4.10	C	crank	20.00	13.50	

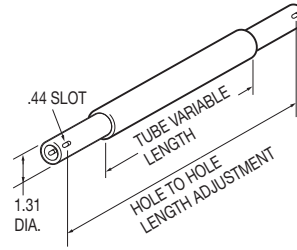
Adjust-a-Shaft Bulk Kits and Component Parts

FEATURES

- Tubular steel construction
- Black primer finish
- Adjustable to reduce inventory requirements

ORDER DETAILS

- Kits consist of two ends to fit over 1.00" shafting, choice of five middle tubes to cover all normal mounting lengths, and hardware



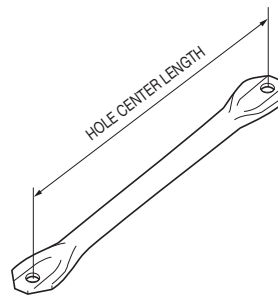
SPECIFICATIONS

part no.	weight (lbs.)	pop. code	description	length adjustment (in.)	cross reference
012-00001	4.26	C	bulk kit	21.00 to 39.00	
012-00002	5.60	C	bulk kit	37.00 to 55.00	04-536-X
012-00003	6.90	A	bulk kit	53.00 to 71.00	04-552X
012-00914	7.90	B	bulk kit	69.00 to 87.00	
012-00915	9.60	C	bulk kit	85.00 to 103.00	
012-00011	1.30	A	end	11.00	
012-00004	1.66	C	tube	20.00	
012-00005	2.80	C	tube	36.00	
012-00006	4.10	C	tube	52.00	
012-00008	5.30	C	tube	68.00	
012-00009	6.97	C	tube	84.00	

Custom One-Piece Braces

FEATURES

- Black primer finish
- .66" diameter mounting holes
- Choose desired pipe or tube size then specify hole center length
- Side loaded ends



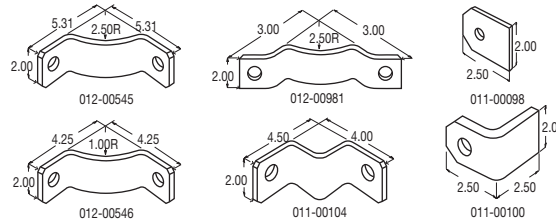
SPECIFICATIONS

materials (in.)	pop. code	hole center length
1.25 pipe	C	per customer specification
1.50 pipe	C	per customer specification
1.63 tube	C	per customer specification
2.00 pipe	C	per customer specification

Brace Lugs

FEATURES

- .38" thick steel construction
- Black primer finish
- .66" diameter mounting holes



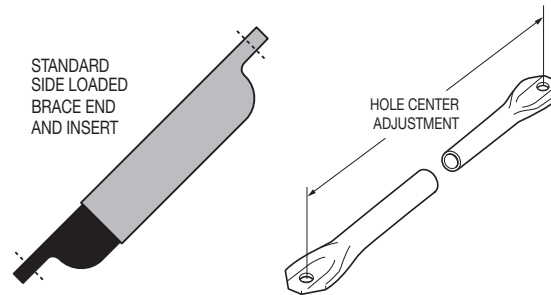
SPECIFICATIONS

part no.	weight (lbs.)	pop. code	cross reference
011-00098	.50	C	02-10-A, 1364
011-00100	.80	B	02-13-A
011-00104	1.30	A	1306
012-00545	1.60	A	Holland BL-4 and Austin J-4154
012-00546	1.40	C	Holland BL-11
012-00981	2.30	B	1382, 1381

Two-Piece Adjust-a-Brace

FEATURES

- High strength steel tubing with reinforced end sections for greater tear-out resistance
- Black E-coat finish



ORDER DETAILS

- Pkg. set includes one side loaded end and one side loaded insert with 15.00" adjustment
- .66" diameter mounting holes

SPECIFICATIONS

part no.	weight (lbs.)	pop. code	description	hole center adjustment (in.) / component length	brace end O.D. (in.)	insert end O.D. (in.)	brace wall thickness (gauge)	insert wall thickness (gauge)	cross reference
013-00991	6.76	A	heavy-duty pkg. set	26.00 to 41.00	1.88	1.63	14	12	04-40-26-41, 1613
013-00992	8.88	A	heavy-duty pkg. set	42.00 to 57.00	1.88	1.63	14	12	04-40-42-57, 1614
013-00993	10.86	A	heavy-duty pkg. set	58.00 to 72.00	1.88	1.63	14	12	04-40-56-72, 1615
013-00996	12.98	A	heavy-duty pkg. set	73.00 to 88.00	1.88	1.63	14	12	
013-00997	15.10	A	heavy-duty pkg. set	89.00 to 104.00	1.88	1.63	14	12	
013-01601	5.38	A	standard pkg. set	26.00 to 41.00	1.75	1.50	14	14	04-10-26-41
013-01602	7.18	A	standard pkg. set	42.00 to 57.00	1.75	1.50	14	14	04-10-42-57
013-01603	8.96	A	standard pkg. set	58.00 to 72.00	1.75	1.50	14	14	04-10-56-72
013-01655	10.49	A	standard pkg. set	73.00 to 88.00	1.75	1.50	14	14	
013-01656	13.30	A	standard pkg. set	89.00 to 104.00	1.75	1.50	14	14	

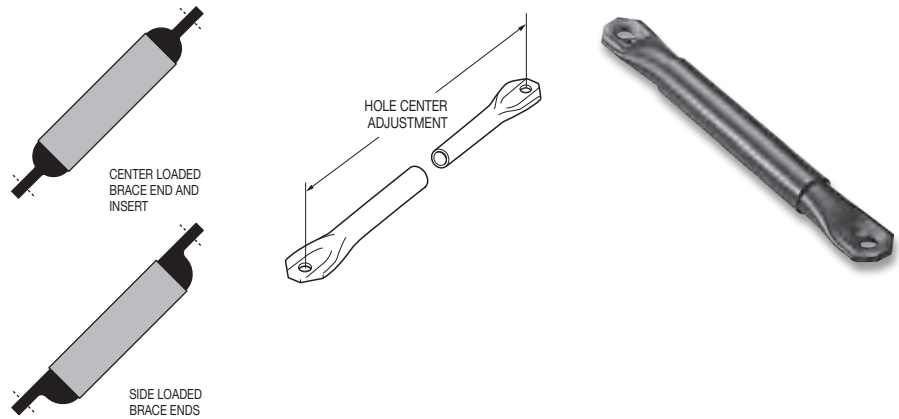
Three-Piece Adjust-a-Brace

FEATURES

- High strength steel tubing with reinforced end pieces for greater tear-out resistance
- Black primer finish
- .66" diameter mounting holes
- Kits adjustable up to 6.00"

ORDER DETAILS

- Available with side loaded or center loaded end pieces
- Component parts also sold separately



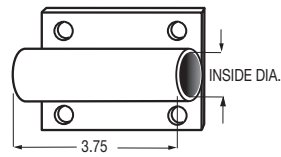
SPECIFICATIONS

part no.	weight (lbs.)	pop. code	description	hole center adjustment (in.) /component length	end type	tube O.D. (in.)	end O.D. (in.)	tube wall thickness (gauge)	end wall thickness (gauge)
013-01094	4.15	C	bulk kit	18.00 to 24.00	center loaded	1.88	1.63	14	12
013-01095	4.80	C	bulk kit	24.00 to 30.00	center loaded	1.88	1.63	14	12
013-01096	5.60	C	bulk kit	30.00 to 36.00	center loaded	1.88	1.63	14	12
013-01097	6.60	C	bulk kit	36.00 to 42.00	center loaded	1.88	1.63	14	12
013-01098	7.00	C	bulk kit	42.00 to 48.00	center loaded	1.88	1.63	14	12
013-01099	7.70	C	bulk kit	48.00 to 54.00	center loaded	1.88	1.63	14	12
013-01100	8.50	C	bulk kit	54.00 to 60.00	center loaded	1.88	1.63	14	12
013-01101	9.10	C	bulk kit	60.00 to 66.00	center loaded	1.88	1.63	14	12
013-01102	9.95	C	bulk kit	66.00 to 72.00	center loaded	1.88	1.63	14	12
012-00418	1.40	C	end	9.00	center loaded	-	1.63	-	12
012-00476	1.40	C	end	9.00	side loaded	-	1.63	-	12
012-00352	1.35	C	tube	10.00	-	1.88	-	14	-
012-00353	2.00	C	tube	16.00	-	1.88	-	14	-
012-00354	2.80	C	tube	22.00	-	1.88	-	14	-
012-00355	3.80	C	tube	28.00	-	1.88	-	14	-
012-00356	4.20	C	tube	34.00	-	1.88	-	14	-
012-00357	4.90	C	tube	40.00	-	1.88	-	14	-
012-00358	5.70	C	tube	46.00	-	1.88	-	14	-
012-00359	6.30	C	tube	52.00	-	1.88	-	14	-
012-00360	7.14	C	tube	58.00	-	1.88	-	14	-

Standard Bow_SOCKETS

FEATURES

- Steel construction
- Black primer finish



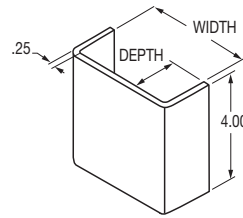
SPECIFICATIONS

part no.	weight (lbs.)	pop. code	inside dia. (in.)	height (in.)
042-00007	.80	C	.83	3.75
042-00008	.90	C	.96	3.75
042-00009	.90	C	1.05	3.75

Straight Stake Pockets

FEATURES

- Steel stamping
- Black primer finish



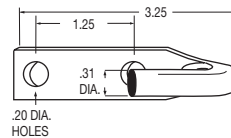
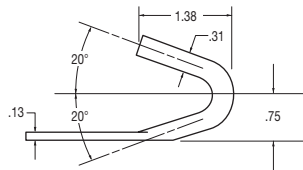
SPECIFICATIONS

part no.	weight (lbs.)	pop. code	width (in.)	depth (in.)
982-00012	1.80	A	3.00	1.62
982-00013	2.00	A	3.75	1.62
982-00014	1.90	A	3.50	1.62
982-00015	2.00	A	3.25	1.88
982-00016	2.00	A	3.50	1.88

Plain Rope Hooks

FEATURES

- Steel construction



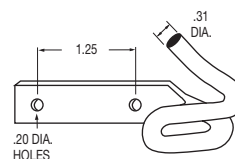
SPECIFICATIONS

part no.	weight (lbs.)	pop. code	description	construction
042-00001	.14	A	rope hook with holes	zinc plated finish
042-01547	.15	A	rope hook without holes	plain

Pig Tail Hooks

FEATURES

- Steel construction
- Zinc plated finish



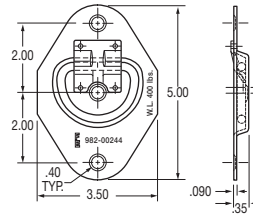
SPECIFICATIONS

part no.	weight (lbs.)	pop code
042-00002	.20	A

Recessed Lashing Ring

FEATURES

- Requires 3.00" mounting hole in 3/8" or thicker material
- Working load is 400 lbs.
- Ultimate breaking strength is 1,200 lbs.



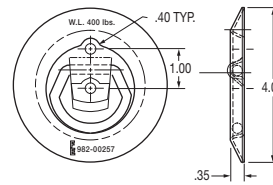
SPECIFICATIONS

part no.	weight (lbs.)	pop. code	finish	working load	cross reference
982-00244	.42	A	zinc	400 lbs.	B601, WF601, AH170ZN

Surface Mounted Rope Ring

FEATURES

- Working load is 400 lbs.
- Ultimate breaking strength is 1,200 lbs.
- Surface mounted pan with .25" ring



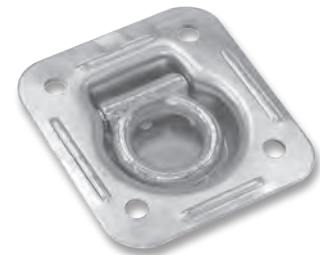
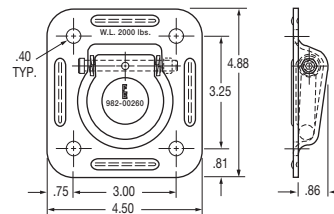
SPECIFICATIONS

part no.	weight (lbs.)	pop. code	finish	working load	cross reference
982-00257	.29	A	zinc	400 lbs.	B701SM

Recessed Lashing Ring

FEATURES

- Working load is 2,000 lbs.
- Ultimate breaking strength is 5,000 lbs.
- Formed 1/8" steel pan houses a ductile iron ring which folds down into pan
- 7/8" clearance below surface is required



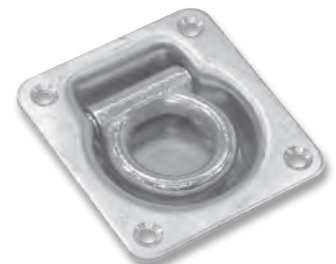
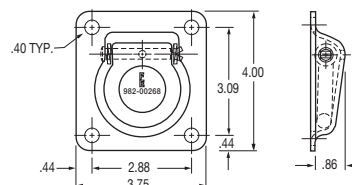
SPECIFICATIONS

part no.	weight (lbs.)	pop. code	finish	working load	cross reference
982-00260	1.17	A	zinc	2,000 lbs.	B801, WF55801, 45-PF5

Recessed Lashing Ring

FEATURES

- For use in van bodies
- Working load is 1,500 lbs.
- Ultimate breaking strength is 3,500 lbs.



SPECIFICATIONS

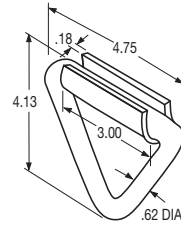
part no.	weight (lbs.)	pop. code	finish	working load	cross reference
982-00268	.90	A	zinc	1500 lbs.	WF5572, AH172ZN

Tie Down V-Ring

This product is for tie down - load securement purposes only.

FEATURES

- Working load is 6,000 lbs.
- Ultimate breaking strength is 18,000 lbs.
- Welded steel rings
- Black primer finish on V-ring, plain finish on weld clip



SPECIFICATIONS

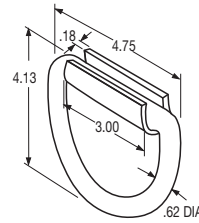
part no.	weight (lbs.)	pop. code	description	cross reference
982-00047	1.40	C	bulk kit (weld clip and V-ring)	#55-05
982-00048	.40	A	weld clip only	#55-02-A
982-00050	1.00	C	V-Ring only	#55-01-A

Tie Down D-Ring

This product is for tie down - load securement purposes only.

FEATURES

- Working load is 6,000 lbs.
- Ultimate breaking strength is 18,000 lbs.
- Welded steel rings
- Black primer finish on D-ring, plain finish on weld clip



SPECIFICATIONS

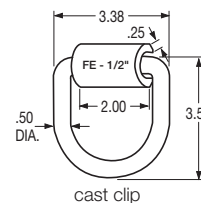
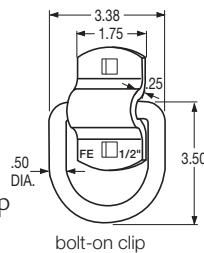
part no.	weight (lbs.)	pop. code	description
982-00046	1.50	A	bulk kit (weld clip and D-ring)
982-00048	.40	A	weld clip only
982-00049	1.00	A	D-Ring only

1/2" Tie Down D-Ring

This product is for tie down - load securement purposes only.

FEATURES

- Working load is 5,000 lbs.
- Ultimate breaking strength is 15,000 lbs.
- Welded steel rings, 2.38" x 2.50" inside dimensions
- Black primer finish on D-ring and bolt-on clip, plain finish on cast weld clip
- Grade 8 3/8" hardware must be used with bolt-on clip
- Bolt-on clip has holes on 2.00" centers with an overall length of 3.00"



SPECIFICATIONS

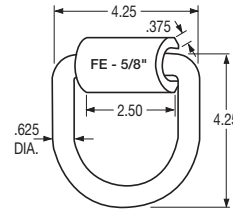
part no.	weight (lbs.)	pop. code	description	clip type	cross reference
982-00270	.88	A	bulk kit (weld clip and D-ring)	weld	B38W
982-00304	.94	A	bulk kit (weld clip and D-ring)	bolt-on	B38
982-00212	.57	A	1/2" D-ring only		
982-00239	.31	A	1/2" cast clip only		
982-00303	.37	A	1/2" bolt-on clip only		

5/8" Tie Down D-Ring

This product is for tie down - load securement purposes only.

FEATURES

- Working load is 8,000 lbs.
- Ultimate breaking strength is 24,000 lbs.
- Welded steel rings, 3.00" x 3.00" inside dimensions
- Black primer finish on D-ring, plain finish on cast weld clip



SPECIFICATIONS

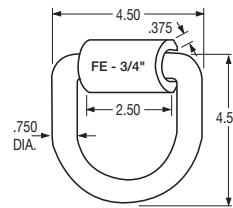
part no.	weight (lbs.)	pop. code	description	cross reference
982-00271	1.81	A	bulk kit (weld clip and D-ring)	B40
982-00214	1.10	A	5/8" D-ring only	
982-00240	.71	A	5/8" cast clip only	

3/4" Tie Down D-Ring

This product is for tie down - load securement purposes only.

FEATURES

- Working load is 10,000 lbs.
- Ultimate breaking strength is 30,000 lbs.
- Welded steel rings, 3.00" x 3.00" inside dimensions
- Black primer finish on D-ring, plain finish on cast weld clip



SPECIFICATIONS

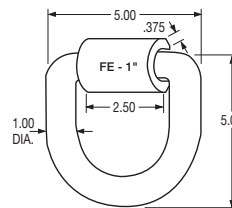
part no.	weight (lbs.)	pop. code	description	cross reference
982-00272	2.42	A	bulk kit (weld clip and D-ring)	B46
982-00216	1.62	A	3/4" D-ring only	
982-00242	.80	A	3/4" cast clip only	

1" Tie Down D-Ring - 3.00" Length

This product is for tie down - load securement purposes only.

FEATURES

- Working load is 16,000 lbs.
- Ultimate breaking strength is 48,000 lbs.
- Welded steel rings, 3.00" x 3.00" inside dimensions
- Black primer finish on D-ring, plain finish on cast weld clip



SPECIFICATIONS

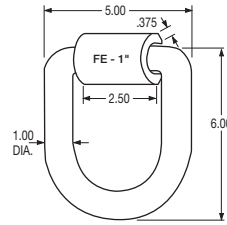
part no.	weight (lbs.)	pop. code	description	cross reference
982-00273	3.90	A	bulk kit (weld clip and D-ring)	B48
982-00220	2.36	A	1" D-ring only	
982-00243	1.54	A	1" cast clip only	

1" Tie Down D-Ring - 4.00" Length)

This product is for tie down - load securement purposes only.

FEATURES

- Working load is 16,000 lbs.
- Ultimate breaking strength is 48,000 lbs.
- Welded steel rings, 3.00" x 4.00" inside dimensions
- Black primer finish on D-ring, plain finish on cast weld clip



SPECIFICATIONS

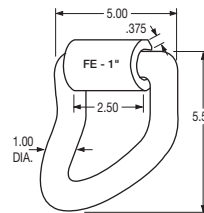
part no.	weight (lbs.)	pop. code	description	cross reference
982-00274	4.35	A	bulk kit (weld clip and D-ring)	B50
982-00221	2.81	A	1" D-ring only	
982-00243	1.54	A	1" cast clip only	

1" Angled Tie Down D-Ring

This product is for tie down - load securement purposes only.

FEATURES

- Working load is 16,000 lbs.
- Ultimate breaking strength is 48,000 lbs.
- Welded steel rings, 3.00" x 3.50" inside dimensions
- Black primer finish on D-ring, plain finish on cast weld clip
- 450 bend



SPECIFICATIONS

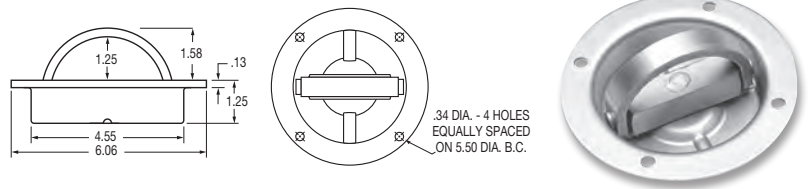
part no.	weight (lbs.)	pop. code	description	cross reference
982-00275	5.23	A	bulk kit (weld clip and D-ring)	B5055
982-00222	3.69	A	1" angled D-ring only	
982-00243	1.54	A	1" cast clip only	

Recessed Tie Down Ring Assembly

This product is for tie down - load securement purposes only.

FEATURES

- Steel construction
- Zinc plated finish
- Drain holes in bottom of cup
- Working load is 3,500 lbs.
- Ultimate breaking strength is 8,200 lbs.
- Ring opening width is 3.25"



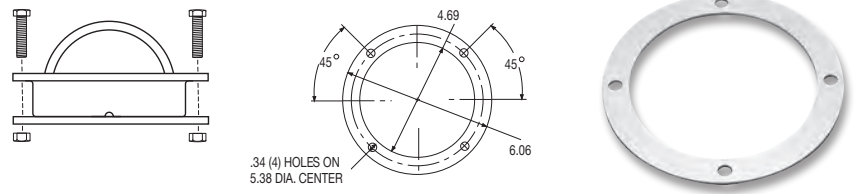
SPECIFICATIONS

part no.	weight (lbs.)	pop. code	cross reference
983-00135	2.50	A	Hansen #10-40 & Austin #AH-1040

Recessed Tie Down Ring Back-Up Plate

FEATURES

- Steel construction
- Zinc plated finish
- Reduces pull-out when only screws are used
- Use with bolt-nut fastener
- Hardware not included



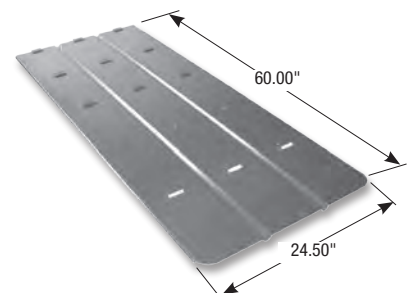
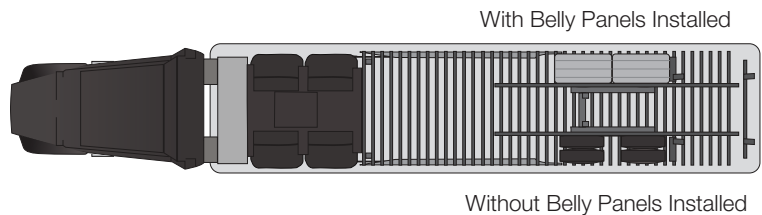
SPECIFICATIONS

part no.	weight (lbs.)	pop. code
983-00242	.41	A

Trailer Belly Panel

FEATURES

- Protects cross members in the event of a tire blow out
- Reduces drag
- Easy installation onto trailer cross members
- 16 gauge high performance aluminum
- Universal fit
- Part number represents one piece



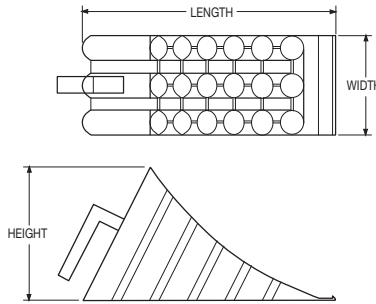
SPECIFICATIONS

part no.	weight (lbs.)	pop. code	finish	cross reference
034-02394	9.94	A	aluminum	-

Plastic Wheel Chock

FEATURES

- Bright yellow (UV Stablized) is very noticeable - less chance of leaving behind or tripping over
- Convenient handle makes it easier to carry or move
- Meets TUV DIN 76051, European Standard for wheel chocks
- Extremely lightweight-drivers are more likely to use



Patent #EU1300305

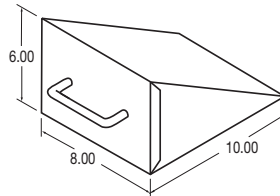
SPECIFICATIONS

part no.	weight (lbs.)	pop. code	width	length	height
064-00018	1.91	A	6.00	15.00	8.00
064-00019	5.91	A	8.00	19.00	10.00

Steel Wheel Chock

FEATURES

- Steel welded construction
- Black primer finish
- Handle for easy positioning
- Optional 10.00' cable kit with plastic coated, .13" diameter aircraft cable



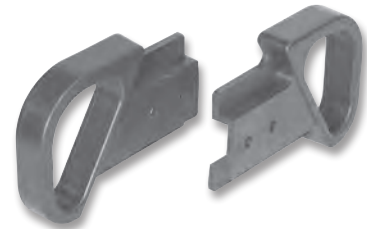
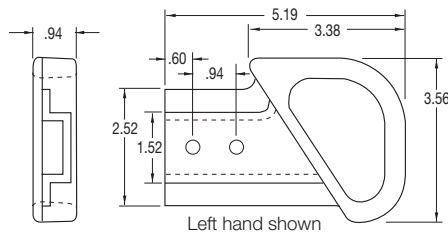
SPECIFICATIONS

part no.	weight (lbs.)	pop. code	description
064-00008	8.30	A	wheel chock

T-Style Ramp Handles

FEATURES

- Black plastic construction



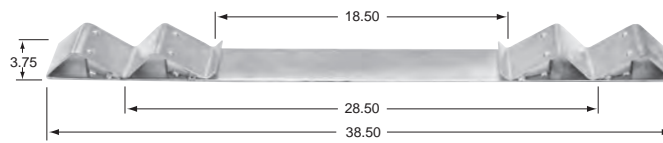
SPECIFICATIONS

part no.	weight (lbs.)	pop. code	description	cross reference
025-60502	.18	A	left (roadside)	39504-1
025-60503	.18	A	right (curbside)	39504-2

Heavy-Duty Coil Rack

FEATURES

- Keeps cargo safe and secure
- Added support for heavy hauling
- Hot dip galvanized finish for corrosion resistance
- To use, place two 4x4 wood supports on top of racks, position cargo and secure with straps or other binding devices
- Reusable



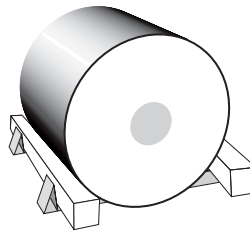
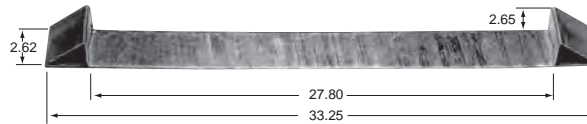
SPECIFICATIONS

part no.	weight (lbs.)	pop. code	finish	cross reference
983-00318	11.33	A	galvanized	15-CRHD

Coil Rack

FEATURES

- Keeps cargo safe and secure
- E-coat finish for corrosion resistance
- To use, place two 4x4 wood supports on top of racks, position cargo and secure with straps or other binding devices
- Reusable



SPECIFICATIONS

part no.	weight (lbs.)	pop. code	description	finish	cross reference
983-00320	4.54	A	11 gauge steel	E-coat	CR1

Aluminum Trailer Patches

FEATURES

- Adhesive back adheres to a wide variety of material, easily covering holes or other blemishes on trailers
- Forms a shock resistant, watertight seal
- Painted white
- Part numbers represent 24 pieces

SPECIFICATIONS

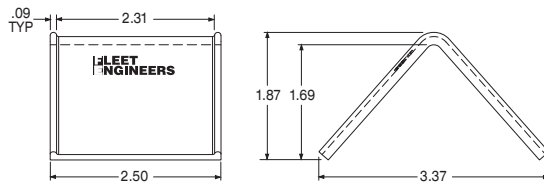
part no.	weight (lbs.)	pop. code	size
982-00500-24	3.10	A	6" x 6"
982-00501-24	6.00	A	6" x 12"
982-00502-24	12.00	A	12" x 12"



NEW 2.5" Polypropelene Corner Protector

FEATURES

- Black plastic construction
- Protects both cargo and strap
- For use up to 2.00" straps
- 100 per box



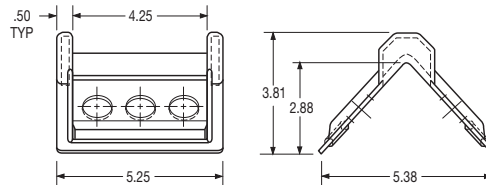
SPECIFICATIONS

part no.	weight (lbs.)	pop. code	box qty.
982-00258	.22	A	100

Plastic Corner Protector

FEATURES

- Black plastic construction
- Protects both cargo and strap
- For use up to 4.00" straps
- For maximum performance, thread straps through slots on both ends
- Extra large ears help keep strap in proper position
- 100 per box



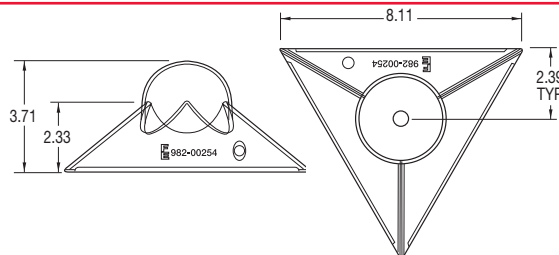
SPECIFICATIONS

part no.	weight (lbs.)	pop. code	box qty.	cross reference
982-00256	.22	A	100	Kinedyne #37025, ITW 15-CCP

Plastic Triangle Corner Tarp Protector

FEATURES

- Yellow plastic construction
- Protect expensive tarps from sharp corners of load
- Tarp rests safely on corner protector - not on sharp cargo
- Held in place by secured load
- 100 per box



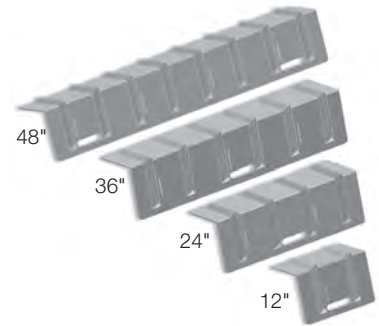
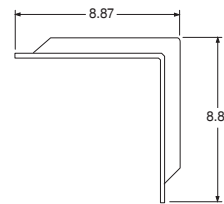
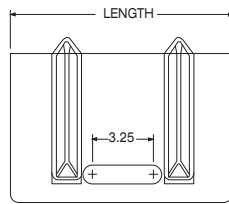
SPECIFICATIONS

part no.	weight (lbs.)	pop. code	box qty.
982-00254	.17	A	100

Large Plastic Corner Protectors

FEATURES

- Use in a variety of applications
- Protects cargo and is easy to use
- Vertical ribs add strength
- For use with straps up to 4.00" wide
- Black plastic construction



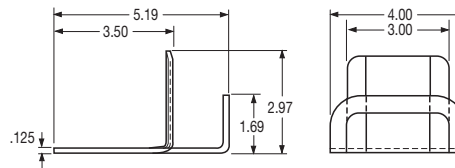
SPECIFICATIONS

part no.	weight (lbs.)	pop. code	length	# of ribs	# of slots	slot location
982-00317	1.00	A	12.00"	2	1	center
982-00318	2.00	A	24.00"	4	1	center
982-00319	3.00	A	36.00"	6	1	center
982-00320	4.00	A	48.00"	8	2	ends

Steel Corner Protector (for Steel Coils)

FEATURES

- Hot dipped galvanized finish
- Steel construction
- Designed to protect both cargo and strap
- Holds straps up to 3.00" wide or chain
- Provides excellent protection when used with coils
- 50 per box



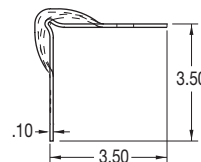
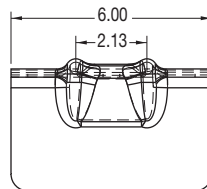
SPECIFICATIONS

part no.	weight (lbs.)	pop. code	box qty	cross reference
982-00255	0.90	A	50	375-10

Steel Corner Protector

FEATURES

- Protects loads and tie-down equipment
- Helps prevent load from loosening due to cutting into product
- Use in a variety of applications: timber, sheet rock, etc.
- For use with cable and chains
- Hot dipped galvanized finish
- Steel construction
- 25 to a bag/10 per box



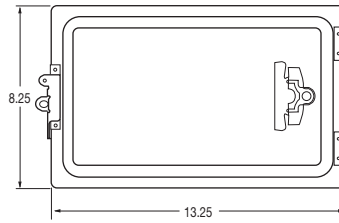
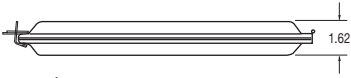
SPECIFICATIONS

part no.	weight (lbs.)	pop. code
982-00302	1.27	A

Manifest Box

FEATURES

- Aluminum case with weatherproof gasket seal to protect contents
- Tab and click stop for secure latch closing along with padlock eyelet, chrome plated clip and aluminum rivets
- Stainless steel hinge and latch assembly
- Plain aluminum or white enamel finish
- 26 per box



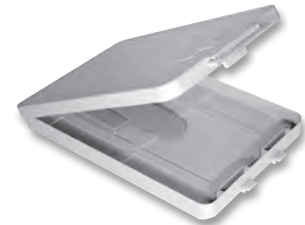
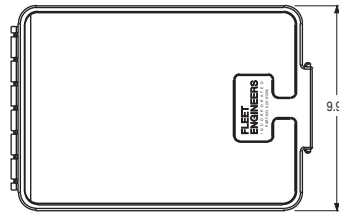
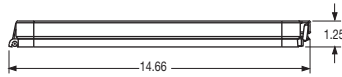
SPECIFICATIONS

part no.	weight (lbs.)	pop. code	finish	box qty	cross reference
022-01087	1.00	A	plain aluminum	26	10-01
022-01089	1.00	A	white enamel		-

James King Style Document Holder

FEATURES

- For use on exterior post trailers and containers
- Heavy duty ABS plastic construction
- Latch closure protects against accidental opening.
- Papers kept in place with large built-in clip



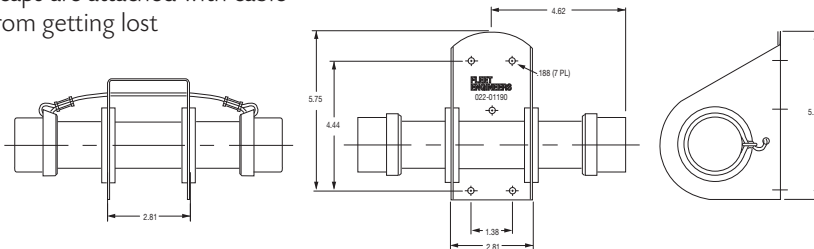
SPECIFICATIONS

part no.	weight (lbs.)	pop. code	description	cross reference
022-01205	1.74	A	document holder	#550

Tite-Seal Style Document Holder

FEATURES

- Rubber end caps are attached with cable to prevent from getting lost



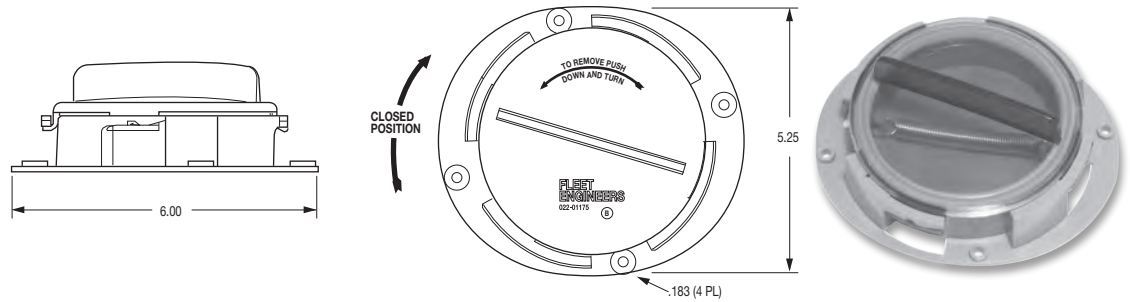
SPECIFICATIONS

part no.	weight (lbs.)	pop. code	description	cross reference
022-01190	.61	A	document holder	#TS158CK
022-01195	.01	A	end cap only	

Plastic Document Holder

FEATURES

- Part number includes cover with gasket and base with retainer spring



SPECIFICATIONS

part no.	weight (lbs.)	pop. code	description	cross reference
022-01175	.38	A	document holder	PS-1, 97960
022-01180	.12	A	cover only	-

Folding Steps (Two-Step or Three-Steps)

FEATURES

- Black primed steel
- Fits any standard truck frame
- 500 lbs. load capacity
- Available with 5.00' wide ICC bumper bar
- Serial numbers applied at factory for identification



ORDER DETAILS

- Contact Fleet Engineers for custom model needs

SPECIFICATIONS FOR TWO-STEP

part no.	weight (lbs.)	pop. code	frame width (in.)	frame height (in.)	frame thickness (in.)	step width (in.)	step depth (in.)	step rise (in.)	ICC bar
054-00030	51.00	B	34.13	18.50	4.00	29.00	9.00	7.88	no
054-00031	85.00	B	34.13	20.00	4.00	29.00	9.00	7.88	yes

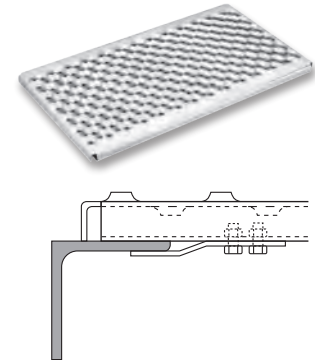
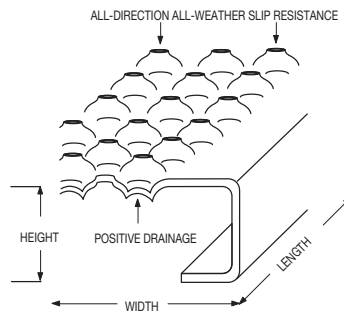
SPECIFICATIONS FOR THREE-STEP

part no.	weight (lbs.)	pop. code	frame width (in.)	frame height (in.)	frame thickness (in.)	step width (in.)	step depth (in.)	step rise (in.)	ICC bar
054-00032	84.00	B	34.63	26.50	5.00	29.00	9.00	7.88	no
054-00033	118.00	B	34.63	28.25	5.00	29.00	9.00	7.88	yes

Safety Service Decks

FEATURES

- All-direction, all-weather, slip-resistant design
- Positive drainage
- Available in aluminum or galvanized steel
- Rugged, lightweight construction
- Cross braces for added strength
- Pre-drilled holes for clamps
- Complete with mounting hardware
- Adjustable clamps allow for universal mounting
- Simple, economical, clamp-on installation



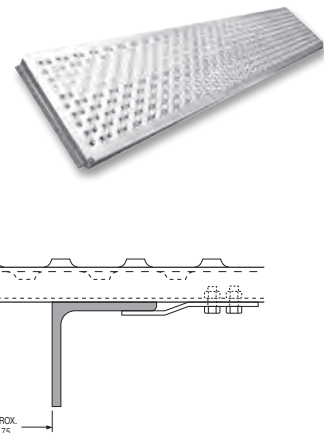
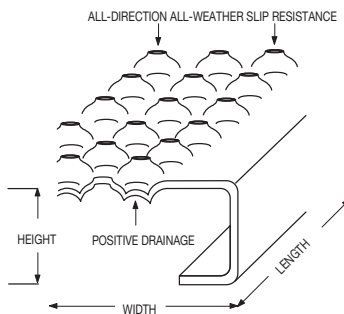
SPECIFICATIONS

part no.	weight (lbs.)	pop. code	description	width (in.)	length (in.)	height (in.)	construction	cross braces
054-00041	15.30	A	service deck	18.75	33.75	1.13	galvanized steel	one
054-00042	19.90	A	service deck	23.75	33.75	1.13	galvanized steel	two
054-00043	24.70	A	service deck	28.75	33.75	1.13	galvanized steel	three
054-00044	29.80	A	service deck	33.75	33.75	1.13	galvanized steel	three
054-00047	7.90	A	service deck	18.75	33.75	1.13	aluminum	one
054-00048	10.60	A	service deck	23.75	33.75	1.13	aluminum	two
054-00049	13.50	A	service deck	28.75	33.75	1.13	aluminum	three
054-00050	15.80	A	service deck	33.75	33.75	1.13	aluminum	three
051-00046	1.50	A	hardware pkg. set				zinc plated steel	

Long Length Safety Service Decks

FEATURES

- Designed to cover the open area between the truck frame and side fairing
- All-direction, all-weather, slip-resistant design
- T-shaped cross brace goes the full length of deck, for added strength
- End deck area has a 300 lb. capacity
- Complete with mounting hardware



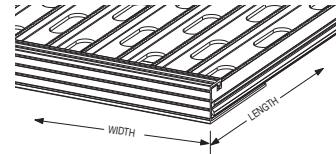
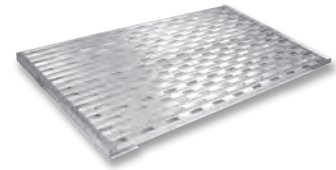
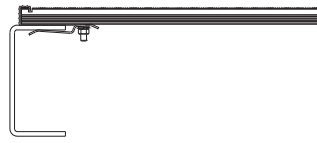
SPECIFICATIONS

part no.	weight (lbs.)	pop. code	description	width (in.)	length (in.)	height (in.)	construction
054-00117	24.20	C	service deck	15.00	77.50	2.25	aluminum
051-00046	1.50	A	hardware pkg. set				

Decorative Safety Service Decks - Top Mount

FEATURES

- Slip-resistant ribbed deck design
- Positive drainage
- Rugged, lightweight construction
- Aluminum construction
- Mounting hardware included



SPECIFICATIONS

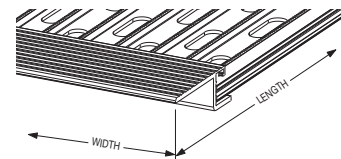
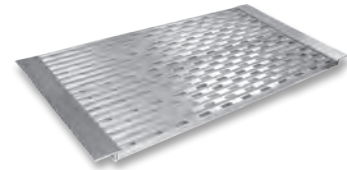
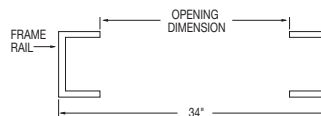
part no.	weight (lbs.)	pop. code	description	width (in.)	length* (in.)	height (in.)	cross reference
054-00200	12.00	A	service deck	18.50	33.00	.88	432
054-00201	17.00	A	service deck	27.25	33.00	.88	433
054-00202	23.00	A	service deck	37.00	33.00	.88	434
054-00203	28.00	A	service deck	46.25	33.00	.88	435
051-00078	1.50	A	hardware pack. set				-

* Frame width direction

Decorative Safety Service Decks - Flush Mount

FEATURES

- Slip-resistant ribbed deck design
- Positive drainage
- Rugged, lightweight construction
- Aluminum construction
- Mounting hardware included



SPECIFICATIONS

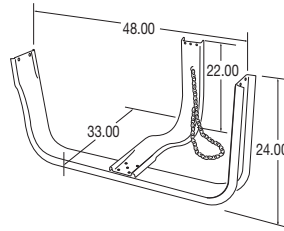
part no.	weight (lbs.)	pop. code	description	width (in.)	length* (in.)	height (in.)	frame rail opening dim.	cross ref.
054-00220	12.00	A	service deck	18.50	33.18	NA	26.25" to 27.00"	442
054-00221	17.00	A	service deck	27.25	33.18	NA	26.25" to 27.00"	443
051-00077	1.50	A	hardware pack. set					-

* Frame width direction

Nash Style Spare Tire Carrier (Standard Mount)

FEATURES

- Heavy-duty, 12 gauge, formed steel construction
- Black primer finish
- Accommodates tires up to 11R24.5 and 12X24.5
- Universal mounting
- Additional warning decal sent at customer's request
- Optional Nash style adapter mounting brackets available (see below), part #981-00166 (boxed) or #981-00055 (bulk)



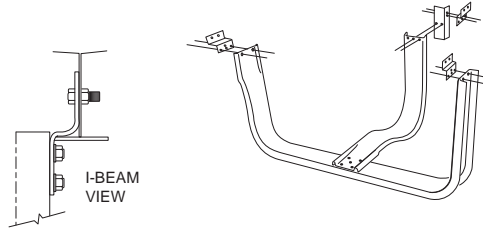
SPECIFICATIONS

part no.	weight (lbs.)	pop. code	description	cross reference
984-00030	32.03	A	unassembled bulk kit	Nash #300002
984-00032	32.03	A	assembled	Nash #300001
981-00159	32.03	A	unassembled boxed packaged set	
984-00035	32.03	A	unassembled banded packaged set	

Nash Style Spare Tire Carrier Adapter

FEATURES

- Black primer finish
- Includes zinc plated hardware
- Enable installation to I-beam cross members



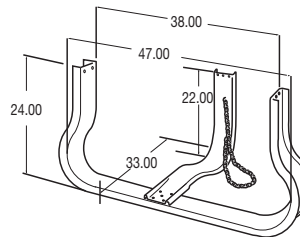
SPECIFICATIONS

part no.	weight (lbs.)	pop. code	description
981-00055	5.50	A	bulk kit
981-00166	6.00	A	packaged set

Nash Style Spare Tire Carrier (Narrow Mount)

FEATURES

- Heavy-duty, 12 gauge, formed steel construction
- Black primer finish
- Accommodates tires up to 11.00" x 22.00"
- Universal mounting
- Additional warning decal sent at customer's request
- Optional Nash style adapter mounting brackets available, part #981-00055 (above)



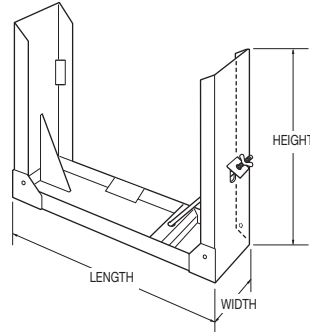
SPECIFICATIONS

part no.	weight (lbs.)	pop. code	description	cross reference
984-00065	32.03	B	assembled	Nash #300062
984-00071	32.03	B	unassembled bulk kit	

Back Of Cab Tire Carriers

FEATURES

- Heavy-duty, 3/16" steel construction
- Black primer finish
- Mounting brackets and hardware are not included
- May use 033-00374 (Qty. 2) for mounting bracket - order separately



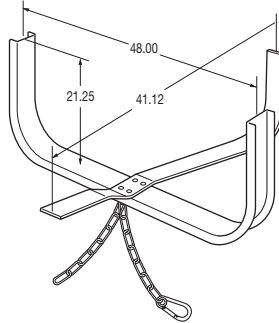
SPECIFICATIONS

part no.	weight (lbs.)	pop. code	tire size (in.)	length (in.)	height (in.)	width (in.)	cross reference
984-00114	59.00	C	up to 11.00 x 22.00	42.50	27.50	9.75	Nash #300013
984-00115	68.00	C	up to 11.00 x 24.50	46.00	27.50	10.75	Nash #300014

Weld-On Tire Carrier

FEATURES

- Heavy-duty, 12 gauge, formed steel construction for U channel
- 0.375" x 4.00" L support
- Black primer finish
- Accommodates tires up to 11.00" x 22.00"
- Additional warning decal sent at customer's request
- Comes with chain to secure tire



SPECIFICATIONS

part no.	weight (lbs.)	pop. code	description
984-00066	44.00	C	assembled packaged set

Aeroflap® Display

FEATURES

- Colorful display generates product interest
- Lightweight, only 8 pounds
- Maximizes product sales
- Compact, floor-space saving design
- Unassembled
- Product not included

SPECIFICATIONS

part no.	weight (lbs.)	pop. code	height (in.)	width (in.)	depth (in.)
034-00256	8.00	A	51.00	25.00	12.125



Product Display

FEATURES

- Versatile, can be used with a wide variety of Fleet Engineers' products
- Maximizes product sales
- Compact, floor-space saving design
- Two literature holders included
- Twenty peg board hooks included
- Black plastic construction
- Unassembled
- Product not included

SPECIFICATIONS

part no.	weight (lbs.)	pop. code	height (in.)	width (in.)	depth (in.)
034-00255	30.00	A	64.00	20.50	39.00



Cross Reference

NUMERICAL/ALPHABETICAL

Cross ref. no.	Name	Fleet #	Page
004141	Morgan	022-01051	140
004161	Morgan	022-01046	140
02-10-A	Penz	011-00098	166
02-13-A	Penz	011-00100	166
022-58857-000	Freightliner	033-05176	15
022-58857-001	Freightliner	033-05175	15
027-14488	Great Dane	022-01009	135
03-207-H	Penz	013-00426	163
03-207-V	Penz	013-00436	164
03-211-H	Penz	013-00427	163
03-211-V	Penz	013-00437	164
03-215-H	Penz	013-00429	163
03-215-V	Penz	013-00439	164
03-221-H	Penz	013-00430	163
03-221-V	Penz	013-00440	164
04-08316-000-00	Stoughton	022-01008	140
04-10-26-41	Penz	013-01601	166
04-10-42-57	Penz	013-01602	166
04-10-56-72	Penz	013-01603	166
04-536-X	Penz	012-00002	165
04-552-X	Penz	012-00003	165
04-40-26-41	Penz	013-00991	166
04-40-42-57	Penz	013-00992	166
04-40-56-72	Penz	013-00993	166
04-86386-001-00	Stoughton	022-01081	141
05-300	Penz	013-01192	162
05-310	Penz	013-00073	162
05-312	Penz	013-01604	162
05-319	Penz	013-01196	162
06-345	Penz	013-00198	163
06-405	Penz	013-00240	163
06-410	Penz	013-00232	162
06-411	Penz	013-00244	162
06-421	Penz	013-00336	162
07-50	Penz	033-00051	73
07-50-1	Penz	033-00053	73
08138	Great Dane	023-00563	136
08206	Great Dane	023-00562	136
10-01	Penz	022-01087	178
100010	Diamond	993-00004	97
100100	Diamond	991-00126	97
10-1004-2	Whiting	994-00002	102
10-1009-5	Whiting	994-00105	102
10-1022-1	Whiting	992-01100	94, 99, 103
10-1022-1	Whiting	992-00701	94
10-1022-6	Whiting	992-00701	99, 103
10-1025-4	Whiting	027-20530	114
10-1033-2	Whiting	992-00005	102
10-1046-1	Whiting	993-00721	103
10-1063-1	Whiting	992-01101	98
10-1073-2	Whiting	991-00126	97
10-1300S/S	Penz	024-03040	154
10-1300Z/P	Penz	024-03056	154
10-1900S/S	Penz	024-03089	130
1021	Whiting	025E10270	99

Cross ref. no.	Name	Fleet #	Page
10-40	Hansen	983-00135	173
1089	Miner	022-01182	145
1092	Whiting	025-60100	106
1-1	Whiting	025-01447	125
1-1	Whiting	025-01449	125
111000	Diamond	995-00111-400	103
111250	Diamond	995-00112-400	103
111250	Diamond	995-00113-400	103
11-2	Whiting	028-32072	111
11-2	Whiting	028-32082	111
112500	Diamond	995-00113-400	103
11-3	Whiting	028-32071	111
11-3	Whiting	028-32081	111
120000	Diamond	994-00105	102
120250	Diamond	991-00400-100	103
120300	Diamond	992-00001-200	103
120500	Diamond	993-00721	103
1207	Whiting	025E10004	94
1208	Whiting	025E10003	94, 99
1208-1	Whiting	025-10286	94, 99
1209	Whiting	025E10002	94
1209-1ASM	Whiting	025-10009	94
1291	Buffer	013-01192	162
1294	Buffer	013-00198	163
1295	Buffer	013-00073	162
1296	Buffer	013-00427	163
1297	Buffer	013-00429	163
1298	Buffer	013-00430	163
1305 kit	Buffer	013-00240	163
1306	Buffer	011-00104	166
1364	Buffer	011-00098	166
1365	Buffer	013-00437	164
1366	Buffer	013-00439	164
1367	Buffer	013-00440	164
1370	Whiting	025E10271	99
1371A	Whiting	025E90041	99
1381	Buffer	012-00981	166
1382	Buffer	012-00981	166
1-4	Whiting	025-01451	125
1-4	Whiting	025-01545	125
140100	Diamond	993-00240-100	96, 103
1407 kit	Buffer	013-00244	162
1-4950-004	Utility	023-00943	144
15	Whiting	025E10051	94
15-1	Whiting	025-10052	94
15152	Great Dane	022-01007	135
1580B-kit	J.King/Fleetline	031-01072	10
1580LM-kit	Fleetline	031-01092	14
1585-6	Fleetline	031-00095	31
1585B-kit	J.King/Fleetline	031-01070	10
1585LM-kit	Fleetline	031-01074	14
1-5869	Eberhard	022-00605	148
1590B-kit	J.King/Fleetline	031-01071	10
15-CRHD	ITW	983-00318	175
16	Austin	021-00256	161



Cross Reference

NUMERICAL/ALPHABETICAL

Cross ref. no.	Name	Fleet #	Page
16 Special	Austin	021-00217	161
1600-11M	Fleetline	032-00194	19
1600-15M	Fleetline	032-00199	19
1613	Buffer	013-00991	166
1614	Buffer	013-00992	166
1615	Buffer	013-00993	166
1664	Buffer	013-00436	164
1676	Whiting	026-40027	122
1695	Buffer	013-00426	163
1-7	Whiting	025-01427	124
1-7	Whiting	025-01429	124
1715	Whiting	025-10311	99
1715	Whiting	025-10330	99
1-8	Whiting	025-01435	124
1-8	Whiting	025-01437	124
1801	Whiting	026-40026	122
1809-004-B	Polar	022-00824	133
1900 kit	J.King/Fleetline	031-01636	11
1969-6X	Eberhard	023-00491	160
20	Polar	024-03000	127
20003977	Hyundai	023-01657	137
2008RP	James King	033-04994	71
2008RS	James King	033-04994	71
2008WP	James King	033-04995	71
2008WS	James King	033-04995	71
20038	Vanco	022-01055	144
2008R	Polar	022-00605	148
2012	Polar	022-00612	150
203000	Koneta	031-01636	11
2032		025E10272	99
210100	Diamond	025-10201	97
210200	Diamond	025-10202	97
2105	Phoenix	031-01635	12
21100291	Wabash	022-00975	145
21101272	Wabash	022-01047	145
220000	Diamond	025-10001	92
220100	Diamond	025-10050	92
2275-1	Whiting	028-02290	111
2275-1	Whiting	028-02291	111
2275-1	Whiting	028-02201	111
2275-1	Whiting	028-02202	111
2275-1	Whiting	028-02214	111
2275-1	Whiting	028-02215	111
2275-2	Whiting	028-02090	111
2275-2	Whiting	028-02091	111
2275-2	Whiting	028-02101	111
2275-2	Whiting	028-02102	111
2275-2	Whiting	028-02114	111
2275-2	Whiting	028-02115	111
2370	Whiting	991-00609	98
230000	Diamond	025-10250	97
240000	Diamond	025-10300	102
240100	Diamond	994-00002	102
2436	Todco	993-00004	97
2471	Whiting	027-20126	115

Cross ref. no.	Name	Fleet #	Page
2471	Whiting	027-20127	115
2518	Whiting	027-20202	116
2523	Whiting	027-20308	117
2524	Whiting	027-20307	117
2525	Whiting	027-20305	117
2526	Whiting	027-20306	117
2528	Whiting	027-20003	116
2528	Whiting	027-20004	116
2547	Whiting	027-20303	116
2548	Whiting	027-20304	116
250000	Diamond	025-10311	99
250000	Diamond	025-10330	99
257000	Whiting	025-10402	101
260000	Diamond	026-40007	118
260000	Diamond	026-40018	118
260000	Diamond	026-40019	118
2701	Whiting	027-20100	112
270700	Whiting	025-60050	106
2766	Whiting	025-10333	105
2766	Whiting	025-10578	105
2800	James King	031-01275	72
2804	Whiting	025-60052	106
2806	Whiting	027-20115	115
2807	Whiting	027-20114	115
280000	Diamond	025-10501	104
280100	Diamond	025-10502	104
2845	James King	031-01276	72
2810093	Dorsey	022-00888	132
2810919	Dorsey	022-00889	133
2906	Kentucky	022-00614	137
291000	Diamond	025-10100	96
291000	Diamond	025-10100-25	96
29-4	Hansen	022-01022	152
29-4	Hansen	022-01023	152
2996	Whiting	025-10102	96
2996	Whiting	025-10102-25	96
300001	Nash	984-00032	182
300002	Nash	984-00030	182
300013	Nash	984-00114	183
300014	Nash	984-00115	183
300062	Nash	984-00065	182
30-7391S	Protech	031-01630	31
3100	Whiting	027-20000	112
310000	Whiting	027-20000	112
3-1250-25	Utility	022-01085	150
31801018	Great Dane	022-00407	135
3190100	Great Dane	997-98027	146
320000	Diamond	027-20500	114
3228	Whiting	025-10101	96
3228	Whiting	025-10101-25	96
3257	Whiting	026-40001	118
330000	Whiting	027-20300	113
330100	Whiting	027-20301	113
340000	Whiting	027-20201	113
340000	Whiting	027-20208	113

Cross Reference

NUMERICAL/ALPHABETICAL

Cross ref. no.	Name	Fleet #	Page
340100	Whiting	027-20200	113
340100	Whiting	027-20207	113
3-4100-0022	Utility	022-01184	144
3410019	Utility	022-01056	143
353-239	Manac	022-01043	138
360000	Diamond	027-20400	114
360100	Diamond	027-20401	114
3-6101-08	Utility	997-98019	147
3-6101-071	Utility	997-98019	147
37025	Kinedyne	982-00256	176
375-10	M.D.Cline	982-00255	177
39504-1	Todco	025-60502	174
39504-2	Todco	025-60503	174
4003	Whiting	025-10250	97
4004	Whiting	025-10300	102
4007	Whiting	025-10001	92
4007	Whiting	025E10001	92
4012	Whiting	025-10050	92
4013	Whiting	027-20301	113
4014	Whiting	027-20300	113
4019	Whiting	026-40410	120
4020-1	Whiting	025-01426	124
4020-1	Whiting	025-01430	124
4020-1	Whiting	025-01434	124
4020-1	Whiting	025-01438	124
4020-1	Whiting	025-01442	125
4020-1	Whiting	025-01446	125
4021	Whiting	025-60050	106
4024	Whiting	025-60000	106
4025	Whiting	027-20201	113
4025	Whiting	027-20208	113
4026	Whiting	025-10100	96
4026	Whiting	025-10100-25	96
4027	Whiting	025-10100	96
4027	Whiting	025-10100-25	96
4028	Whiting	027-20400	114
4029	Whiting	027-20401	114
4032	Whiting	026-40204	119
4032	Whiting	026-40210	119
4033	Whiting	027-20500	114
4034	Whiting	026-40007	118
4034	Whiting	026-40018	118
4034	Whiting	026-40019	118
4038	Whiting	025-10202	97
4039	Whiting	025-10200	97
4040	Whiting	025-10331	101
4040	Whiting	025-10432	101
4045	Whiting	028-00290	107
4045	Whiting	028-00101	107
4045	Whiting	028-00114	107
4046	Whiting	028-00190	107
4046	Whiting	028-01101	107
4046	Whiting	028-01114	107
4050	Whiting	027-20200	113
4050	Whiting	027-20207	113

Cross ref. no.	Name	Fleet #	Page
4051	Whiting	025-10201	97
4052	Whiting	028-30051	109
4052	Whiting	028-30061	109
4053	Whiting	028-30050	109
4053	Whiting	028-30060	109
4101481	Dorsey	022-00392	132
4101482	Dorsey	022-00391	132
41034-1	Todco	028-00190	107
41034-1	Todco	028-01101	107
41034-1	Todco	028-01114	107
41034-2	Todco	028-00290	107
41034-2	Todco	028-00101	107
41034-2	Todco	028-00114	107
41042	Todco	028-30051	109
41042	Todco	028-30061	109
41043	Todco	028-30050	109
41043	Todco	028-30060	109
4110	Whiting	025-10601	100
4114	Whiting	025-10261	97
4115	Whiting	025-10260	97
4126	Whiting	025-10602	100
4132	Whiting	025-10600	100
4140	Whiting	025-10420	101
4-18-0055	American	022-00030	138
42500813	Great Dane	023-01656	137
4300 chrome	Eberhard	022-00627	150
4300 zinc	Eberhard	022-00626	150
43000124	Great Dane	022-01412	136
432	Merrit	054-00200	181
433	Merrit	054-00201	181
434	Merrit	054-00202	181
435	Merrit	054-00203	181
442	Merrit	054-00220	181
443	Merrit	054-00221	181
45-PF5	ITW	982-00260	169
44573	Great Dane	997-98015	146
45064	Great Dane	022-01084	150
47563	Great Dane	022-01058	136
48	Polar	021-00043	153
49014-1	Todco	028-00190	107
49014-1	Todco	028-01101	107
49014-1	Todco	028-01114	107
49014-2	Todco	028-00290	107
49014-2	Todco	028-00101	107
49014-2	Todco	028-00114	107
49702-1	Todco	028-30050	109
49702-1	Todco	028-30060	109
49702-2	Todco	028-30051	109
49702-2	Todco	028-30061	109
500000	Diamond	026-40202	119, 120
503000	Koneta	031-01071	10
5060-2	Merritt	031-01636	11
51036-1	Todco	027-20401	114
51036-2	Todco	027-20400	114
51037	Todco	027-20000	112



Cross Reference

NUMERICAL/ALPHABETICAL

Cross ref. no.	Name	Fleet #	Page
51038	Todco	027-20500	114
51041	Todco	027-20200	113
51041	Todco	027-20207	113
51042	Todco	027-20100	112
51043	Todco	027-20201	113
51043	Todco	027-20208	113
51044	Todco	025-01436	124
515-10-61A	Trailmobile	023-00008	143
515-10-65	Trailmobile	022-00966	142
515-10-73A	Trailmobile	023-00940	143
515-10-78-1	Trailmobile	022-01036	143
515-12-13	Trailmobile	997-98016	147
523000	Koneta	031-01070	10
5248614	Dorsey	997-98022	146
550	James King	022-01205	178
55-01-A	Penz	982-00050	170
55-02-A	Penz	982-00048	170
55-05	Penz	982-00047	170
5559	Eberhard	021-00184	161
5600	Whiting	025-60562	98
5600	Whiting	025-60652	98
5601	Austin	022-01022	152
5609022	Dorsey	022-00393	132
5726	Whiting	026-90040	99
5735	Whiting	026-40040	123
5803	Whiting	025-10301	102
5867	Eberhard	022-00631	148
5867	Eberhard	022-00633	148
586930	Fruehauf	022-00081	151
5870	Eberhard	022-00612	150
5897	Eberhard	022-00030	138
5897-2	Timpte	022-00030	138
59003	Todco	025-01442	125
59003	Todco	025-01444	125
59003	Todco	025-01446	125
59003	Todco	025-01448	125
59003	Todco	025-01450	125
59003	Todco	025-01452	125
59004	Todco	025-01438	125
59004	Todco	025-01440	125
59033-1	Todco	027-20301	113
59033-2	Todco	027-20300	113
59123	Todco	025-10001	92
59123	Todco	025E10001	92
59126	Todco	025-10050	92
59129-1	Todco	027-20301	113
59129-2	Todco	027-20300	113
59158	Todco	027-20200	113
59158	Todco	027-20207	113
59174	Todco	027-24200	112
59290	Todco	027-20000	112
6	Whiting	993-00240-100	96, 103
6A-23557	Strick	021-00010	141
610200	Whiting	026-40001	118
61026	Todco	994-00002	102

Cross ref. no.	Name	Fleet #	Page
61174	Todco	025-10100	96
61174	Todco	025-10100-25	96
61191	Todco	026-40007	118
61191	Todco	026-40018	118
61191	Todco	026-40019	118
61196	Todco	025-10050	92
61204	Todco	025-10300	102
61223	Todco	025-10601	100
61229	Todco	025-10602	100
61352	Todco	025-10250	97
61401	Todco	025-10311	99
61401	Todco	025-10330	99
61424	Todco	025-10101	96
61424	Todco	025-10101-25	96
620200	Diamond	026-40410	120
630300	Todco	026-40200	119
6-5601	Austin	022-01024	152
6616396000	Kentucky	022-01035	137
6616600000	Kentucky	022-01040	138
69020	Todco	025-10600	100
69035	Todco	025-10001	92
69035	Todco	025E10001	92
69131	Todco	025-60100	106
69162	Todco	025-10100	96
69162	Todco	025-10100-25	96
69249	Todco	025-10250	97
69341	Todco	025-60000	106
69431	Todco	025-10202	97
69432	Todco	025-10201	97
69433	Todco	025-10200	97
6944	Whiting	025E10220	98
6944	Whiting	025-10305	98
6944-1	Whiting	025-10225	98
69570	Todco	025-10500	104
69571	Todco	025-10501	104
69572	Todco	025-10502	104
69718	Todco	026-40200	119
69790	Todco	026-40202	119, 120
69832	Todco	025-10331	101
69832	Todco	025-10432	101
69840	Todco	026-40410	120
69922	Todco	026-40500	123
69964-1	Todco	025-10261	97
69964-2	Todco	025-10260	97
70001	Todco	026-40204	119
70001	Todco	026-40210	119
70093	Todco	025-60050	106
70105	Todco	026-40600	120
70159	Todco	025E10051	94
70160	Todco	025E10004	94
70161	Todco	025E10003	94, 99
70162	Todco	025E10002	94
70224	Todco	025-10102	96
70224	Todco	025-10102-25	96
70225	Todco	025-10101	96

Cross Reference

NUMERICAL/ALPHABETICAL

Cross ref. no.	Name	Fleet #	Page
70225	Todco	025-10101-25	96
70311	Todco	025E10324	92
70-5	Whiting	991-00506-50	102, 103
7470	Whiting	026-40402	121
77	Whiting	025-10577	105
77	Whiting	025-10332	105
8RB	Austin	022-00587	148
80015-1610	Todco	991-00400-100	103
80015-1610	Todco	991-00401-100	103
80020	Todco	993-00240-100	26, 103
80105-416	Todco	991-00085	103
80302	Todco	993-00004	97
80322-225	Todco	993-00721	103
80352	Todco	992-01100	94, 99
80352	Todco	992-00701	94, 99
80352-420	Todco	992-00001-200	103
80352-518	Todco	992-00005	102
80401-316	Todco	994-00105	102
80701-2	Todco	027-20530	114
80840	Todco	026-40001	118
80841T	Whiting	995-00111-400	103
80842T	Whiting	995-00112-400	103
80844	Todco	025-10420	101
8280	Whiting	026-40037	123
8702	Austin	021-00207	161
89049	Todco	991-00126	97
89204	Todco	026-40010	118
89210-0032	Todco	995-00111-400	103
89210-0036	Todco	995-00112-400	103
89210-0040	Todco	995-00113-400	103
89217-0032	Todco	995-00114	103
89217-0036	Todco	995-00115	103
89217-0040	Todco	995-00116	103
9-5	Austin	022-00545	149
9-5	Austin	022-00830	149
97960	Truck Lite	022-01175	179
99610-1	Todco	029C90100	83
99610-2	Todco	029-90100	83
99611-1	Todco	029C09090	83
99611-2	Todco	029-09090	83
99835-1	Todco	029C98090	83
99835-2	Todco	029-09890	83
99836-1	Todco	029C98100	83
99836-2	Todco	029-98100	83
99837-1	Todco	029C98105	83
99837-2	Todco	029-98105	83
99838-1	Todco	029C98112	83
99838-2	Todco	029-98112	83
99861-1	Todco	029C90105	83
99861-2	Todco	029-90105	83
A1-5884-U	Eberhard	022-00551	149
A1-5984-50	Eberhard	022-00614	137
A22-58858-000	Freightliner	033-05176	15
A22-58858-001	Freightliner	033-05175	15
A23L	Betts	034-00429	58

Cross ref. no.	Name	Fleet #	Page
A23R	Betts	034-00430	58
A25	Betts	034-00426	58
A29L	Betts	034-00427	59
A29R	Betts	034-00428	59
A33L	Betts	034-00436	60
A33R	Betts	034-00437	60
A35	Betts	034-00433	61
A39L	Betts	034-00434	61
A39R	Betts	034-00435	61
A69L	Betts	034-00642	59
A69R	Betts	034-00643	59
A79L	Betts	034-00650	61
A79R	Betts	034-00651	61
A81	Betts	034-00685	61
A82	Betts	034-00679	58
A83L	Betts	034-00636	58
A83R	Betts	034-00637	58
A84L	Betts	034-00668	60
A84R	Betts	034-00669	60
A87L	Betts	034-00877	60
A87R	Betts	034-00878	60
AA33C01060100	Strick	022-00490	142
AA35F00020100	Strick	021-00010	141
AA35F00040100	Strick	021-00025	141
AA35F00100100	Strick	022-01003	142
AA35F00230100	Strick	022-01013	142
AE54111	Pines	022-00995	140
AH-001	Austin	021-00181	148
AH-1040	Austin	983-00135	173
AH170ZN	Austin	982-00244	169
AH172ZN	Austin	982-00268	169
B17-0116C	Miller	022-00030	138
B25	Betts	031-00125	58
B2-5884	Eberhard	022-00825	149
B27	Betts	033-00868	74
B29	Betts	031-00129	59
B33	Betts	031-00133	60
B35	Betts	031-00135	61
B37	Betts	033-03404	75
B38	Buyers Products	982-00304	170
B38W	Buyers Products	982-00270	170
B39	Betts	031-00139	61
B40	Buyers Products	982-00271	171
B46	Buyers Products	982-00272	171
B48	Buyers Products	982-00273	171
B50	Buyers Products	982-00274	172
B57	Betts	033-04530	66
B57	Betts	033-05192	68
B5055	Buyers Products	982-00275	172
B5728	Betts	033-04555	66
B5728	Betts	033-05190	68
B5728S	Betts	033-04567	66
B5728S	Betts	033-05191	68
B57NT	Betts	033-00868	74
B57S	Betts	033-04550	66



Cross Reference

NUMERICAL/ALPHABETICAL

Cross ref. no.	Name	Fleet #	Page
B57S	Betts	033-05193	68
B600	Betts	031-00893	63
B601	Buyers Products	982-00244	169
B67	Betts	033-04647	67
B67	Betts	033-05196	69
B6728	Betts	033-04542	67
B6728	Betts	033-05194	69
B6728S	Betts	033-04546	67
B6728S	Betts	033-05195	69
B67NT	Betts	033-03404	75
B67S	Betts	033-04648	67
B67S	Betts	033-05197	69
B69	Betts	031-00147	59
B701SM	Buyer Products	982-00257	169
B750	Betts	031-00894	63
B79	Betts	031-00150	61
B801	Buyer Products	982-00260	169
B81	Betts	031-00105	61
B82	Betts	031-00102	58
B83	Betts	031-00108	58
B84	Betts	031-00110	60
B87	Betts	031-00553	60
BCF004678001	Fruehauf	022-01004	134
BF-28P-kit	Fleetline	033-00270	74
BF28PCX-kit	Fleetline	033-04555	66
BF28PCX-kit	Fleetline	033-05190	68
BF-28SS-kit	Fleetline	033-00277	74
BF28SSCX-kit	Fleetline	033-04567	66
BF28SSCX-kit	Fleetline	033-05191	68
BF30P-kit	Fleetline	033-00868	74
BF30PCX-kit	Fleetline	033-04530	66
BF30PCX-kit	Fleetline	033-05192	68
BF30SS-kit	Fleetline	033-00870	74
BF30SSCX-kit	Fleetline	033-04550	66
BF30SSCX-kit	Fleetline	033-05193	68
BL-11	Holland	012-00546	166
BL-4	Holland	012-00545	166
BSH-0001	Vanguard	022-01404	144
CR1	Fleetline	983-00320	175
DBA00158300	Fruehauf	022-01004	134
DCA-02-42	Fruehauf	022-00007	133
DCD-0292-1	Fruehauf	023-00021	160
DCE-8681-1	Fruehauf	023-00557	134
DCF-00451	Fruehauf	023-00938	134
DCF-3980-1	Fruehauf	023-00567	134
DXA-000696 PK1	Fruehauf	996-01900	133
DXA-0687	Fruehauf	022-00013	133
EBH6602-50	Eberhard	022-00081	151
ED045011	Monon	022-01185	139
General Purpose	Whiting	029-09090	83
General Purpose	Whiting	029-90100	83
General Purpose	Whiting	029-90105	83
General Purpose	Whiting	029-90112	83
General Purpose	Whiting	029-98090	83
General Purpose	Whiting	029-98100	83

Cross ref. no.	Name	Fleet #	Page
General Purpose	Whiting	029-98105	83
General Purpose	Whiting	029-98107	83
General Purpose	Whiting	029-98112	83
H04-B01073	Gindy	022-00039	135
H-1060-3	Miner	023-00559	139
H-1060-4	Miner	023-00559	139
H-1081-3	Miner	023-00561	139
H-1081-3Z	Miner	023-01502	139
H-1085	Stoughton	022-01086	141
H-1086	Stoughton	022-01081	141
H-325709	Henderson	025-10276	95
H-325716	Henderson	025-10275	95
H-425331	Henderson	025-10279	95
HB-1156-6	Miner	023-00664	131
HP-1054-4	Miner	997-98017	146
HP-1054-9	Miner	997-98020	146
HW-1054-8X	Miner	993-00109	146
ITW 15-CCP	ITW	982-00256	176
J-4154	Austin	012-00545	166
JK2800	Fleetline	033-04259	72
JK2845	Fleetline	033-04263	72
K1732	Betts	031-00896	62
K650	Betts	031-00891	62
K700	Betts	031-00897	62
K711	Betts	031-00899	63
K850	Betts	031-00892	62
LG0082.01	Holland	013-00496	164
LG0082.02	Holland	013-00498	164
LG0083.01	Holland	013-00436	164
LG0083.02	Holland	013-00426	163
LG0083.03	Holland	013-00437	164
LG0083.04	Holland	013-00427	163
LG0083.05	Holland	013-00440	164
LG0083.06	Holland	013-00430	163
MN-1064	Miner	023-00956	155
MN-4005	Miner	023-00967	159
MN-4006	Miner	023-00966	158
MN-4011	Miner	023-00965	159
MN-4012	Miner	023-00961	158
MN-4042	Miner	023-00959	157
MN-4043	Miner	023-00957	157
MN-4044	Miner	023-00958	157
MN-4049	Miner	023-00964	159
MN-4090	Miner	023-00962	158
MN-4140	Miner	023-00973	156
MN-4141	Miner	023-00971	157
MN-4142	Miner	023-00972	157
MN-4207	Miner	023-00960	157
MN-4208	Miner	023-00963	158
MN-DL-BU	Miner	021-00312	155
MN-DL-NH	Miner	021-00313	156
N100PNM	Fenco	031-01071	10
N100SSNM	Fenco	031-01070	10
N123-SS-7	Fenco	031-00095	31
N1809-003B	Polar	022-00551	149

Cross Reference

NUMERICAL/ALPHABETICAL

Cross ref. no.	Name	Fleet #	Page
N1809-004B	Polar	022-00825	149
N200SS7	Fleetline	031-01630	31
No. 8	Hansen	022-01024	152
No. 9	Hansen	022-01022	152
No. 9 SS	Hansen	022-01023	152
P-1072	Penz	024-02508	128
P-1072	Penz	024-02595	129
P-1072-SS	Penz	024-02510	128
P-1072-SS	Penz	024-02597	129
P-1072-W	Penz	024-02509	128
P-1072-W	Penz	024-02596	129
P-1073	Penz	024-02500	128
P-1073	Penz	024-02590	129
P-1073-SS	Penz	024-02502	128
P-1073-SS	Penz	024-02592	129
P-1073-W	Penz	024-02501	128
P-1073-W	Penz	024-02591	129
P-1076	Penz	024-02508	128
P-1076	Penz	024-02595	129
P-1076-SS	Penz	024-02510	128
P-1076-SS	Penz	024-02597	129
P-1076-W	Penz	024-02509	128
P-1076-W	Penz	024-02596	129
P-1077	Penz	024-02500	128
P-1077	Penz	024-02590	129
P-1077-SS	Penz	024-02502	128
P-1077-SS	Penz	024-02592	129
P-1077-W	Penz	024-02501	128
P-1077-W	Penz	024-02591	129
P108530	Miner	022-01086	141
P108540	Miner	022-01086	141
P108630	Miner	022-01081	141
P108835	Miner	023-02009	139
P108845	Miner	023-02009	139
P108855	Miner	023-02009	139
P108940	Miner	022-01182	145
P-2005	Penz	021-00050	153
PC1310	Monon	022-00996	139
PS-1	Betts	022-01175	179
REB-0395	Pines	022-00995	140
RFP00127	VanGuard	022-01407	144
RT25	Betts	033-04259	72
RT35	Betts	033-04263	72
SA100B2	Life-Time	031-01072	10
SF3045P-kit	Fleetline	033-00864	75
SF3045PCX-kit	Betts	033-04542	67
SF3045PCX-kit	Betts	033-05194	69
SF3045SS-kit	Fleetline	033-00865	75
SF3045SSCX-kit	Betts	033-04546	67
SF3045SSCX-kit	Betts	033-05195	69
SF3345P-kit	Fleetline	033-03404	75
SF3345SS-kit	Fleetline	033-04150	75
SP100B2	Life-Time	031-01071	10
SS100B2	Life-Time	031-01070	10
T112-1	Whiting	025-01052	125

Cross ref. no.	Name	Fleet #	Page
T112-1	Whiting	025-01053	125
T112-2	Whiting	025-01056	125
T112-2	Whiting	025-01057	125
T112-3	Whiting	025-01058	125
T112-3	Whiting	025-01059	125
TS158CK	Tite-Seal	022-01190	178
TRR7000C-AH	Hyundai	023-01657	137
V3K00002	Manac	022-01041	138
WABO6300291	Wabash	022-00975	145
WABO6301272	Wabash	022-01047	145
WABO6301527	Wabash	022-01182	145
WABO6302245	Wabash	022-01182	145
WCE007812-001	Fruehauf	997-98017	146
WF5572	Wallace Forge	982-00268	169
WF55801	Wallace Forge	982-00260	169
WF601	Wallace Forge	982-00244	169
XA-V-90-0	Holland	013-00487	164
XA-N-90-11	Holland	013-01978	164

Cross Reference

BY MANUFACTURER

Cross ref. no.	Fleet #	Page
AMERICAN		
4-18-0055	022-00030	138

Cross ref. no.	Fleet #	Page
AUSTIN		
16	021-00256	161
16 special	021-00217	161
5601	022-01022	152
6-5601	022-01024	152
8RB	022-00587	148
8702	021-00207	161
9-5	022-00545	149
9-5	022-00830	149
AH-001	021-00181	148
AH-1040	983-00135	173
AH170ZN	982-00244	169
AH172ZN	982-00268	169
J-4154	012-00545	166

Cross ref. no.	Fleet #	Page
BETTS		
A23L	034-00429	58
A23R	034-00430	58
A25	034-00426	58
A29L	034-00427	59
A29R	034-00428	59
A33L	034-00436	60
A33R	034-00437	60
A35	034-00433	61
A39L	034-00434	61
A39R	034-00435	61
A69L	034-00642	59
A69R	034-00643	59
A79L	034-00650	61
A79R	034-00651	61
A81	034-00685	61
A82	034-00679	58
A83L	034-00636	58
A83R	034-00637	58
A84L	034-00668	60
A84R	034-00669	60
A87L	034-00877	60
A87R	034-00878	60
B25	031-00125	58
B27	033-00868	74
B29	031-00129	59
B33	031-00133	60
B35	031-00135	61
B37	033-03404	75
B39	031-00139	61
B57	033-04530	66
B57	033-05192	68
B5728	033-04555	66
B5728	033-05190	68
B5728S	033-04567	66
B5728S	033-05191	68
B57NT	033-00868	74

Cross ref. no.	Fleet #	Page
B57S	033-04550	66
B57S	033-05193	68
B600	031-00893	63
B67	033-04647	67
B67	033-05196	69
B6728	033-04542	67
B6728	033-05194	69
B6728S	033-04546	67
B6728S	033-05195	69
B67NT	033-03404	75
B67S	033-04648	67
B67S	033-05197	69
B69	031-00147	59
B750	031-00894	63
B79	031-00150	61
B81	031-00105	61
B82	031-00102	58
B83	031-00108	58
B84	031-00110	60
B87	031-00553	60
K1732	031-00896	62
K650	031-00891	62
K700	031-00897	62
K711	031-00899	63
K850	031-00892	62
PS-1	022-01175	179
RT25	033-04259	72
RT35	033-04263	72
SF3045PCX-kit	033-04542	67
SF3045PCX-kit	033-05194	69
SF3045SSCX-kit	033-04546	67
SF3045SSCX-kit	033-05195	69

Cross ref. no.	Fleet #	Page
BUFFER		
1291	013-01192	162
1294	013-00198	163
1295	013-00073	162
1296	013-00427	163
1297	013-00429	163
1298	013-00430	163
1305 kit	013-00240	163
1306	011-00104	166
1364	011-00098	166
1365	013-00437	164
1366	013-00439	164
1367	013-00440	164
1381	012-00981	166
1382	012-00981	166
1407 kit	013-00244	162
1613	013-00991	166
1614	013-00992	166
1615	013-00993	166
1664	013-00436	164
1695	013-00426	163

Cross ref. no.	Fleet #	Page
BUYERS PRODUCTS		
B38	982-00304	170
B38W	982-00270	170
B40	982-00271	171
B46	982-00272	171
B48	982-00273	171
B50	982-00274	172
B5055	982-00275	172
B601	982-00244	169
B701SM	982-00257	169
B801	982-00260	169

Cross ref. no.	Fleet #	Page
DIAMOND		
100010	993-00004	97
100100	991-00126	97
111000	995-00111-400	103
111250	995-00112-400	103
111250	995-00113-400	103
112500	995-00113-400	103
120000	994-00105	102
120250	991-00400-100	103
120300	992-00001-200	103
120500	993-00721	103
140100	993-00240-100	96, 103
210100	025-10201	97
210200	025-10202	97
220000	025-10001	92
220100	025-10050	92
230000	025-10250	97
240000	025-10300	102
240100	994-00002	102
250000	025-10311	99
250000	025-10330	99
257000	025-10402	101
260000	026-40007	118
260000	026-40018	118
260000	026-40019	118
270700	025-60050	106
280000	025-10501	104
280100	025-10502	104
291000	025-10100	96
291000	025-10100-25	96
310000	027-20000	112
320000	027-20500	114
330000	027-20300	113
330100	027-20301	113
340000	027-20201	113
340000	027-20208	113
340100	027-20200	113
340100	027-20207	113
360000	027-20400	114
360100	027-20401	114
500000	026-40202	119, 120
610200	026-40001	118
620200	026-40410	120

Cross Reference

BY MANUFACTURER

Cross ref. no.	Fleet #	Page
630300	026-40200	119
DORSEY		
2810093	022-00888	132
2810919	022-00889	133
4101481	022-00392	132
4101482	022-00391	132
5248614	997-98022	146
5609022	022-00393	132
EBERHARD		
1-5869	022-00605	148
1969-6X	023-00491	160
4300 chrome	022-00627	150
4300 zinc	022-00626	150
5559	021-00184	161
5867	022-00631	148
5867	022-00633	148
5870	022-00612	150
5897	022-00030	138
A1-5884-U	022-00551	149
A1-5984-50	022-00614	137
B2-5884	022-00825	149
EBH6602-50	022-00081	151
FENCO		
N100PNM	031-01071	10
N100SSNM	031-01070	10
N123-SS-7	031-00095	31
FLEETLINE		
1580B-kit	031-01072	10
1580LM-kit	031-01092	14
1585-6	031-00095	31
1585B-kit	031-01070	10
1585LM-kit	031-01074	14
1590B-kit	031-01071	10
1600-11M	032-00194	19
1600-15M	032-00199	19
1900-kit	031-01636	11
BF-28P-kit	033-00270	74
BF28PCX-kit	033-04555	66
BF28PCX-kit	033-05190	68
BF-28SS-kit	033-00277	74
BF28SSCX-kit	033-04567	66
BF28SSCX-kit	033-05191	68
BF30P-kit	033-00868	74
BF30PCX-kit	033-04530	66
BF30PCX-kit	033-05192	68
BF30SS-kit	033-00870	74
BF30SSCX-kit	033-04550	66
BF30SSCX-kit	033-05193	68
CR1	983-00320	175
JK2800	033-04259	72
JK2845	033-04263	72
N200SS7	031-01630	31
SF3045P-kit	033-00864	75

Cross ref. no.	Fleet #	Page
SF3045SS-kit	033-00865	75
SF3345P-kit	033-03404	75
SF3345SS-kit	033-04150	75
FREIGHTLINER		
022-58857-000	033-05176	15
A22-58858-000	033-05176	15
022-58857-001	033-05175	15
A22-58858-001	033-05175	15
FRUEHAUF		
586930	022-00081	152
BCF004678001	022-01004	134
DBA00158300	022-01004	134
DCA-02-42	022-00007	133
DCD-0292-1	023-00021	160
DCE-8681-1	023-00557	134
DCF-00451	023-00938	134
DCF-3980-1	023-00567	134
DXA-000696 PK1	996-01900	133
DXA-0687	022-00013	133
WCE007812-001	997-98017	146
GINDY		
H04-B01073	022-00039	135
GREAT DANE		
027-14488	022-01009	135
08138	023-00563	136
08206	023-00562	136
15152	022-01007	135
31801018	022-00407	135
3190100	997-98027	146
42500813	023-01656	137
43000124	022-01412	136
44573	997-98015	146
45064	022-01084	150
47563	022-01058	136
HANSEN		
10-40	983-00135	173
29-4	022-01022	152
29-4	022-01023	152
No. 8	022-01024	152
No. 9	022-01022	152
No. 9 SS	022-01023	152
HENDERSON		
H-325709	025-10276	95
H-325716	025-10275	95
H-425331	025-10279	95
HOLLAND		
BL-11	012-00546	166
BL-4	012-00545	166
LG0082.01	013-00496	164
LG0082.02	013-00498	164
LG0083.01	013-00436	164

Cross ref. no.	Fleet #	Page
LG0083.02	013-00426	163
LG0083.03	013-00437	164
LG0083.04	013-00427	163
LG0083.05	013-00440	164
LG0083.06	013-00430	163
XA-V-90-0	013-00487	164
XA-N-90-11	013-01978	164
HYUNDAI		
20003977	023-01657	137
TRR7000C-AH	023-01657	137
ITW		
15-CRHD	983-00318	175
45-PF5	982-00260	169
ITW 15-CCP	982-00256	176
JAMES KING		
1580B-kit	031-01072	10
1585B-kit	031-01070	10
1590B-kit	031-01071	10
2008RP	033-04994	71
2008RS	033-04994	71
2008WP	033-04995	71
2008WS	033-04995	71
2800	031-01275	72
2845	031-01276	72
550	022-01205	178
KENTUCKY		
2906	022-00614	137
6616396000	022-01035	137
6616600000	022-01040	138
KINEDYNE		
37025	982-00256	176
KONETA		
203000	031-01636	11
503000	031-01071	10
523000	031-01070	10
LIFE-TIME		
SA100B2	031-01072	10
SP100B2	031-01071	10
SS100B2	031-01070	10
MANAC		
353-239	022-01043	138
V3K00002	022-01041	138
M.D.CLINE		
375-10	982-00255	177
MERRIT		
432	054-00200	181
433	054-00201	181
434	054-00202	181
435	054-00203	181

Cross Reference

BY MANUFACTURER

Cross ref. no.	Fleet #	Page
442	054-00220	181
443	054-00221	181
5060-2	031-01636	11

MILLER

B17-0116C	022-00030	138
-----------	-----------	-----

MINER (POWER BRACE)

1089	022-01182	145
H-1060-3	023-00559	139
H-1060-4	023-00559	139
H-1081-3	023-00561	139
H-1081-3Z	023-01502	139
HB-1156-6	023-00664	131
HP-1054-4	997-98017	146
HP-1054-9	997-98020	146
HW-1054-8X	993-00109	146
MN-1064	023-00956	155
MN-4005	023-00967	159
MN-4006	023-00966	158
MN-4011	023-00965	159
MN-4012	023-00961	158
MN-4042	023-00959	157
MN-4043	023-00957	157
MN-4044	023-00958	157
MN-4049	023-00964	159
MN-4090	023-00962	158
MN-4140	023-00973	156
MN-4141	023-00971	157
MN-4142	023-00972	157
MN-4207	023-00960	157
MN-4208	023-00963	158
MN-DL-BU	021-00312	155
MN-DL-NH	021-00313	156
P108530	022-01086	141
P108540	022-01086	141
P108630	022-01081	141
P108835	023-02009	139
P108845	023-02009	139
P108855	023-02009	139
P108940	022-01182	145

MONON

ED045011	022-01185	139
PC1310	022-00996	139

Morgan

004141	022-01051	140
004161	022-01046	140

NASH

300001	984-00032	182
300002	984-00030	182
300013	984-00114	183
300014	984-00115	183
300062	984-00065	182

PENZ

02-10-A	011-00098	166
02-13-A	011-00100	166
03-207-H	013-00426	163
03-207-V	013-00436	164
03-211-H	013-00427	163
03-211-V	013-00437	164
03-215-H	013-00429	163
03-215-V	013-00439	164
03-221-H	013-00430	163
03-221-V	013-00440	164
04-10-26-41	013-01601	167
04-10-42-57	013-01602	167
04-10-56-72	013-01603	167
04-536-X	012-00002	165
04-552-X	012-00003	165
04-40-26-41	013-00991	166
04-40-42-57	013-00992	166
04-40-56-72	013-00993	166
05-300	013-01192	162
05-310	013-00073	162
05-312	013-01604	162
05-319	013-01196	162
06-345	013-00198	163
06-405	013-00240	163
06-410	013-00232	162
06-411	013-00244	162
06-421	013-00336	162
07-50	033-00051	73
07-50-1	033-00053	73
10-01	022-01087	178
10-1300S/S	024-03040	154
10-1300Z/P	024-03056	154
10-1900S/S	024-03089	130
55-01-A	982-00050	170
55-02-A	982-00048	170
55-05	982-00047	170
P-1072	024-02508	128
P-1072	024-02595	129
P-1072-SS	024-02510	128
P-1072-SS	024-02597	129
P-1072-W	024-02509	128
P-1072-W	024-02596	129
P-1073	024-02500	128
P-1073	024-02590	129
P-1073-SS	024-02502	128
P-1073-SS	024-02592	129
P-1073-W	024-02501	128
P-1073-W	024-02591	129
P-1076	024-02508	128
P-1076	024-02595	129
P-1076-SS	024-02510	128
P-1076-SS	024-02597	129
P-1076-W	024-02509	128
P-1076-W	024-02596	129

Cross ref. no.	Fleet #	Page
P-1077	024-02500	128
P-1077	024-02590	129
P-1077-SS	024-02502	128
P-1077-SS	024-02592	129
P-1077-W	024-02501	128
P-1077-W	024-02591	129
P-2005	021-00050	153

PHOENIX

2105	031-01635	12
------	-----------	----

PINES

AE54111	022-00995	140
REB-0395	022-00995	140

POLAR

1809-004-B	022-00824	133
20	024-03000	127
2008R	022-00605	148
2012	022-00612	150
48	021-00043	153
N1809-003B	022-00551	149
N1809-004B	022-00825	149

POWER BRACE - SEE MINER

PROTECH

30-7391S	031-01630	31
----------	-----------	----

STOUGHTON

04-08316-000-00	022-01008	140
04-86386-001-00	022-01081	141
H-1085	022-01086	141
H-1086	022-01081	141

STRICK

6A-23557	021-00010	141
AA33C01060100	022-00490	142
AA35F00020100	021-00010	141
AA35F00040100	021-00025	141
AA35F00100100	022-01003	142
AA35F00230100	022-01013	142

TIMPTE

5897-2	022-00030	138
--------	-----------	-----

TITE-SEAL

TS158CK	022-01190	178
---------	-----------	-----

TODCO

2436	993-00004	97
39504-1	025-60502	174
39504-2	025-60503	174
41034-1	028-00190	107
41034-1	028-01101	107
41034-1	028-01114	107
41034-2	028-00290	107
41034-2	028-00101	107
41034-2	028-00114	107

Cross Reference

BY MANUFACTURER

Cross ref. no.	Fleet #	Page
41042	028-30051	109
41042	028-30061	109
41043	028-30050	109
41043	028-30060	109
49014-1	028-00190	107
49014-1	028-01101	107
49014-1	028-01114	107
49014-2	028-00290	107
49014-2	028-00101	107
49014-2	028-00114	107
49702-1	028-30050	109
49702-1	028-30060	109
49702-2	028-30051	109
49702-2	028-30061	109
51036-1	027-20401	114
51036-2	027-20400	114
51037	027-20000	112
51038	027-20500	114
51041	027-20200	113
51041	027-20207	113
51042	027-20100	112
51043	027-20201	113
51043	027-20208	113
51044	025-01436	124
59003	025-01442	125
59003	025-01444	125
59003	025-01446	125
59003	025-01448	125
59003	025-01450	125
59003	025-01452	125
59004	025-01438	124
59004	025-01440	124
59033-1	027-20301	113
59033-2	027-20300	113
59123	025-10001	92
59123	025E10001	92
59126	025-10050	92
59129-1	027-20301	113
59129-2	027-20300	113
59158	027-20200	113
59158	027-20207	113
59174	027-24200	112
59290	027-20000	112
61026	994-00002	102
61174	025-10100	96
61174	025-10100-25	96
61191	026-40007	118
61191	026-40018	118
61191	026-40019	118
61196	025-10050	92
61204	025-10300	102
61223	025-10601	100
61229	025-10602	100
61352	025-10250	97
61401	025-10311	99

Cross ref. no.	Fleet #	Page
61401	025-10330	99
61424	025-10101	96
61424	025-10101-25	96
69020	025-10600	100
69035	025-10001	92
69035	025E10001	92
69131	025-60100	106
69162	025-10100	96
69162	025-10100-25	96
69249	025-10250	97
69341	025-60000	106
69431	025-10202	97
69432	025-10201	97
69433	025-10200	97
69570	025-10500	104
69571	025-10501	104
69572	025-10502	104
69718	026-40200	119
69790	026-40202	119, 120
69832	025-10331	101
69832	025-10432	101
69840	026-40410	120
69922	026-40500	123
69964-1	025-10261	97
69964-2	025-10260	97
70001	026-40204	119
70001	026-40210	119
70093	025-60050	106
70105	026-40600	120
70159	025E10051	94
70160	025E10004	94
70161	025E10003	94, 99
70162	025E10002	94
70224	025-10102	96
70224	025-10102-25	96
70225	025-10101	96
70225	025-10101-25	96
70311	025E10324	92
80015-1610	991-00400-100	103
80015-1610	991-00401-100	103
80020	993-00240-100	96
80105-416	991-00085	103
80302	993-00004	97
80322-225	993-00721	103
80352	992-01100	94, 99
80352	992-00701	94
80352-420	992-00001-200	103
80352-518	992-00005	102
80401-316	994-00105	102
80701-2	027-20530	114
80840	026-40001	118
80844	025-10420	101
89049	991-00126	97
89204	026-40010	118
89210-0032	995-00111-400	103

Cross ref. no.	Fleet #	Page
89210-0036	995-00112-400	103
89210-0040	995-00113-400	103
89217-0032	995-00114	103
89217-0036	995-00115	103
89217-0040	995-00116	103
99610-1	029C90100	83
99610-2	029-90100	83
99611-1	029C09090	83
99611-2	029-09090	83
99835-1	029C98090	83
99835-2	029-98090	83
99836-1	029C98100	83
99836-2	029-98100	83
99837-1	029C98105	83
99837-2	029-98105	83
99838-1	029C98112	83
99838-2	029-98112	83
99861-1	029C90105	83
99861-2	029-90105	83

TRAILMOBILE

515-10-61A	023-00008	143
515-10-65	022-00966	142
515-10-73A	023-00940	143
515-10-78-1	022-01036	143
515-12-13	997-98016	147

TRUCK LITE

97960	022-01175	179
-------	-----------	-----

UTILITY

1-4950-004	023-00943	144
3-1250-25	022-01085	150
3-4100-0022	022-01184	144
3410019	022-01056	143
3-6101-071	997-98019	147
3-6101-08	997-98019	147

VANCO

20038	022-01055	144
-------	-----------	-----

VANGUARD

B5H-0001	022-01404	144
RFP00127	022-01407	144

WABASH

21100291	022-00975	145
21101272	022-01047	145
WAB06301527	022-01182	145
WAB06302245	022-01182	145
WAB06300291	022-00975	145
WAB06301272	022-01047	145

WALLACE FORGE

WF5572	982-00268	169
WF55801	982-00260	169
WF601	982-00244	169

Cross Reference

BY MANUFACTURER

Cross ref. no.	Fleet #	Page
WHITING		
10-1004-2	994-00002	102
10-1009-5	994-00105	102
10-1022-1	992-01100	94, 99
10-1022-1	992-01100-200	103
10-1022-1	992-00701	94
10-1022-6	992-00701	99, 103
10-1025-4	027-20530	114
10-1033-2	992-00005	102
10-1046-1	993-00721	103
10-1063-1	992-01101	98
10-1073-2	991-00126	97
1021	025E10270	99
1092	025-60100	106
1-1	025-01447	125
1-1	025-01449	125
11-2	028-32072	111
11-2	028-32082	111
11-3	028-32071	111
11-3	028-32081	111
1207	025E10004	94
1208	025E10003	94, 99
1208-1	025-10286	94, 99
1209	025E10002	94
1209-1ASM	025-10009	94
1370	025E10271	99
1371A	025E90041	99
1-4	025-01451	125
1-4	025-01545	125
15	025E10051	94
15-1	025-10052	94
1676	026-40027	122
1-7	025-01427	124
1-7	025-01429	124
1715	025-10311	99
1715	025-10330	99
1-8	025-01435	124
1-8	025-01437	124
1801	026-40026	122
2032	025E10272	99
2275-1	028-02290	111
2275-1	028-02291	111
2275-1	028-02201	111
2275-1	028-02202	111
2275-1	028-02214	111
2275-1	028-02215	111
2275-2	028-02090	111
2275-2	028-02091	111
2275-2	028-02101	111
2275-2	028-02102	111
2275-2	028-02114	111
2275-2	028-02115	111
2370	991-00609	98
2471	027-20126	115
2471	027-20127	115

Cross ref. no.	Fleet #	Page
2518	027-20202	116
2523	027-20308	117
2524	027-20307	117
2525	027-20305	117
2526	027-20306	117
2528	027-20003	116
2528	027-20004	116
2547	027-20303	116
2548	027-20304	116
2701	027-20100	112
2766	025-10333	105
2766	025-10578	105
2804	025-60052	106
2806	027-20115	115
2807	027-20114	115
2996	025-10102	96
2996	025-10102-25	96
3100	027-20000	112
3228	025-10101	96
3228	025-10101-25	96
3257	026-40001	118
4003	025-10250	97
4004	025-10300	102
4007	025-10001	92
4007	025E10001	92
4012	025-10050	92
4013	027-20301	113
4014	027-20300	113
4019	026-40410	120
4020-1	025-01426	124
4020-1	025-01430	124
4020-1	025-01434	124
4020-1	025-01438	124
4020-1	025-01442	125
4020-1	025-01446	125
4021	025-60050	106
4024	025-60000	106
4025	027-20201	113
4025	027-20208	113
4026	025-10100	96
4026	025-10100-25	96
4027	025-10100	96
4027	025-10100-25	96
4028	027-20400	114
4029	027-20401	114
4032	026-40204	119
4032	026-40210	119
4033	027-20500	114
4034	026-40018	118
4034	026-40019	118
4034	026-40007	118
4038	025-10202	97
4039	025-10200	97
4040	025-10331	101
4040	025-10432	101

Cross ref. no.	Fleet #	Page
4045	028-00290	107
4045	028-00101	107
4045	028-00114	107
4046	028-00190	107
4046	028-01101	107
4046	028-01114	107
4050	027-20200	113
4050	027-20207	113
4051	025-10201	97
4052	028-30051	109
4052	028-30061	109
4053	028-30050	109
4053	028-30060	109
4110	025-10601	100
4114	025-10261	97
4115	025-10260	97
4126	025-10602	100
4132	025-10600	100
4140	025-10420	101
5600	025-60652	98
5726	025-90040	99
5735	026-40040	123
5803	025-10301	102
6	993-00240-100	96
6944	025E10220	98
6944	025-10305	98
6944-1	025-10225	98
70-5	991-00506-50	102, 103
7470	026-40402	121
77	025-10577	105
77	025-10332	105
80841T	995-00111-400	103
80842T	995-00112-400	103
8280	026-40037	123
General Purpose	029-09090	83
General Purpose	029-90100	83
General Purpose	029-90105	83
General Purpose	029-90112	83
General Purpose	029-98090	83
General Purpose	029-98100	83
General Purpose	029-98105	83
General Purpose	029-98112	83
T112-1	025-01052	125
T112-1	025-01053	125
T112-2	025-01056	125
T112-2	025-01057	125
T112-3	025-01058	125
T112-3	025-01059	125

Numerical Product Listing and Corresponding Catalog Page

Part Number	Page #	Part Number	Page #	Part Number	Page #	Part Number	Page #
011-00098	166	013-01098	167	022-00626	150	022-01175	179
011-00100	166	013-01099	167	022-00627	150	022-01180	179
011-00104	166	013-01100	167	022-00628	152	022-01182	145
011-00136	162, 163	013-01101	167	022-00629	150	022-01184	144
012-00001	165	013-01102	167	022-00631	148	022-01185	139
012-00002	165	013-01192	162	022-00633	148	022-01190	178
012-00003	165	013-01196	162	022-00808	149	022-01195	178
012-00004	165	013-01601	166	022-00824	133	022-01205	178
012-00005	165	013-01602	166	022-00825	149	022-01300	154
012-00006	165	013-01603	166	022-00830	149	022-01301	154
012-00008	165	013-01604	162	022-00888	132	022-01303	154
012-00009	165	013-01655	166	022-00889	133	022-01305	154
012-00011	165	013-01656	166	022-00966	142	022-01306	154
012-00352	167	013-01978	164	022-00975	145	022-01404	144
012-00353	167	021-00010	141	022-00989	152	022-01407	144
012-00354	167	021-00025	141	022-00990	152	022-01409	159
012-00355	167	021-00043	153	022-00991	152	022-01412	136
012-00356	167	021-00050	153	022-00992	152	023-00008	143
012-00357	167	021-00051	153	022-00993	152	023-00021	160
012-00358	167	021-00053	153	022-00995	140	023-00024	153
012-00359	167	021-00098	130	022-00996	139	023-00491	160
012-00360	167	021-00099	130	022-01003	142	023-00497	130
012-00418	167	021-00181	148	022-01004	134	023-00557	134
012-00476	167	021-00184	161	022-01007	135	023-00559	139
012-00545	166	021-00207	161	022-01008	140	023-00561	139
012-00546	166	021-00217	161	022-01009	135	023-00562	136
012-00914	165	021-00256	161	022-01013	142	023-00563	136
012-00915	165	021-00308	131	022-01020	152	023-00567	134
012-00981	166	021-00309	130	022-01021	152	023-00583	131
013-00073	162	021-00312	155	022-01022	152	023-00585	131
013-00198	163	021-00313	156	022-01023	152	023-00586	131
013-00232	162	021-00371	152	022-01024	152	023-00639	131
013-00240	163	021-00372	152	022-01035	137	023-00641	131
013-00244	162	021-00373	152	022-01036	143	023-00642	131
013-00336	162	021-00374	152	022-01040	138	023-00645	131
013-00426	163	021-00376	147	022-01041	138	023-00652	131
013-00427	163	022-00007	133	022-01043	138	023-00659	131
013-00429	163	022-00013	133	022-01046	140	023-00660	131
013-00430	163	022-00030	138	022-01047	145	023-00662	131
013-00436	164	022-00039	135	022-01051	140	023-00664	131
013-00437	164	022-00070	151	022-01055	144	023-00669	131
013-00439	164	022-00081	151, 152	022-01056	143	023-00674	131
013-00440	164	022-00391	132	022-01058	136	023-00675	131
013-00487	164	022-00392	132	022-01076	152	023-00678	131
013-00496	164	022-00393	132	022-01077	152	023-00938	134
013-00498	164	022-00407	135	022-01078	152	023-00940	143
013-00500	164	022-00487	151	022-01079	152	023-00943	144
013-00501	164	022-00490	142	022-01081	141	023-00956	155
013-00991	166	022-00521	152	022-01084	150	023-00957	157
013-00992	166	022-00522	152	022-01085	150	023-00958	157
013-00993	166	022-00545	149	022-01086	141	023-00959	157
013-00996	166	022-00551	149	022-01087	178	023-00960	157
013-00997	166	022-00577	151	022-01089	178	023-00961	158
013-01094	167	022-00587	148	022-01090	138	023-00962	158
013-01095	167	022-00605	148	022-01091	138	023-00963	158
013-01096	167	022-00612	150	022-01092	137	023-00964	159
013-01097	167	022-00614	137	022-01093	137	023-00965	159

Numerical Product Listing and Corresponding Catalog Page

Part Number	Page #	Part Number	Page #	Part Number	Page #	Part Number	Page #
023-00966	158	025-01068	125	025-10105	96	025-60407	126
023-00967	159	025-01069	125	025-10106	96	025-60409	126
023-00968	155, 156	025-01070	125	025-10109	96	025-60410	126
023-00971	157	025-01074	125	025-10113	96	025-60411	126
023-00972	157	025-01075	125	025-10200	97	025-60412	126
023-00973	156	025-01076	124	025-10201	97	025-60502	174
023-00975	160	025-01078	124	025-10202	97	025-60503	174
023-01502	139	025-01081	124	025-10225	98	025-60652	98
023-01569	131	025-01088	124	025-10250	97	025-90040	99
023-01656	137	025-01098	124	025-10260	97	025-90042	96
023-01657	137	025-01100	124	025-10261	97	025E10001	92
023-02009	139	025-01102	125	025-10275	95	025E10002	94
024-02257	130	025-01119	125	025-10276	95	025E10003	94, 99
024-02261	130	025-01123	125	025-10278	95	025E10004	94
024-02268	130	025-01126	125	025-10279	95	025E10005	94
024-02500	128	025-01426	124	025-10284	99	025E10050	92
024-02501	128	025-01427	124	025-10285	99	025E10051	94
024-02502	128	025-01428	124	025-10286	94, 99	025E10071	95
024-02508	128	025-01429	124	025-10287	99	025E10200	97
024-02509	128	025-01430	124	025-10288	98	025E10201	97
024-02510	128	025-01431	124	025-10289	98	025E10202	97
024-02590	129	025-01432	124	025-10300	102	025E10220	98
024-02591	129	025-01433	124	025-10301	102	025E10250	97
024-02592	129	025-01434	124	025-10305	98	025E10260	97
024-02595	129	025-01435	124	025-10311	99	025E10261	97
024-02596	129	025-01436	124	025-10330	99	025E10270	99
024-02597	129	025-01437	124	025-10331	101	025E10271	99
024-03000	127	025-01438	124	025-10332	105	025E10272	99
024-03001	127	025-01439	124	025-10333	105	025E10300	102
024-03005	127	025-01440	124	025-10334	101	025E10311	99
024-03006	127	025-01441	124	025-10335	101	025E10320	92
024-03040	154	025-01442	125	025-10402	101	025E10324	92
024-03056	154	025-01443	125	025-10403	101	025E10402	101
024-03059	130	025-01444	125	025-10420	101	025E10403	101
024-03060	130	025-01445	125	025-10421	101	025E10432	101
024-03089	130	025-01446	125	025-10430	101	025E10501	104
025-01028	124	025-01447	125	025-10432	101	025E10502	104
025-01029	124	025-01448	125	025-10500	104	025E90041	99
025-01030	124	025-01449	125	025-10501	104	026-14221	88
025-01031	124	025-01450	125	025-10502	104	026-14222	88
025-01034	125	025-01451	125	025-10525	104	026-14223	88
025-01035	125	025-01452	125	025-10577	105	026-14225	88
025-01036	124	025-01545	125	025-10578	105	026-142255	88
025-01037	124	025-01575	125	025-10600	100	026-14321	88
025-01038	125	025-10001	92	025-10601	100	026-14322	88
025-01039	125	025-10009	94	025-10602	100	026-14323	88
025-01052	125	025-10011	93	025-10642	105	026-14325	88
025-01053	125	025-10050	92	025-11112	94	026-143255	88
025-01055	125	025-10052	94	025-11104	94	026-14521	90
025-01056	125	025-10100	96	025-60000	106	026-14522	90
025-01057	125	025-10100-25	96	025-60006	93	026-14523	90
025-01058	125	025-10101	96	025-60007	94, 95	026-14525	90
025-01059	125	025-10101-25	96	025-60050	106	026-145255	90
025-01064	124	025-10102	96	025-60052	106	026-14621	90
025-01065	124	025-10102-25	96	025-60100	106	026-14622	90
025-01066	124	025-10103	96	025-60200	100	026-14623	90
025-01067	124	025-10104	96	025-60206	100	026-14625	90

PRODUCT INDEX

Numerical Product Listing and Corresponding Catalog Page

Part Number	Page #	Part Number	Page #	Part Number	Page #	Part Number	Page #
026-146255	90	027-20102	112	028-02115	111	029-98100	83
026-40001	118	027-20112	115	028-02201	111	029-98105	83
026-40007	118	027-20113	115	028-02202	111	029-98107	83
026-40010	118	027-20114	115	028-02214	111	029-98112	83
026-40018	118	027-20115	115	028-02215	111	029-08090	85
026-40019	118	027-20126	115	028-02290	111	029-08100	85
026-40026	122	027-20127	115	028-02291	111	029-08105	85
026-40027	122	027-20200	113	028-03090	107	029-08112	85
026-40029	122	027-20201	113	028-03101	107	029-98200	85
026-40037	123	027-20202	116	028-03114	107	029-98205	85
026-40039	123	027-20207	113	028-03190	107	029-98207	85
026-40040	123	027-20208	113	028-03201	107	029-98212	85
026-40045	123	027-20300	113	028-03214	107	029-98290	85
026-40200	119	027-20301	113	028-30012	108	029C08090	85
026-40202	119, 120	027-20303	116	028-30014	108	029C08100	85
026-40204	119	027-20304	116	028-30015	108	029C08105	85
026-40206	120	027-20305	117	028-30017	108	029C08112	85
026-40208	120	027-20306	117	028-30050	109	029C98290	85
026-40210	119	027-20307	117	028-30051	109	029C98200	85
026-40300	119	027-20308	117	028-30060	109	029C98205	85
026-40400	121	027-20400	114	028-30061	109	029C98207	85
026-40401	121	027-20401	114	028-30070	109	029C98212	85
026-40402	121	027-20500	114	028-30071	109	029C09090	83
026-40410	120	027-20530	114	028-30080	109	029C90100	83
026-40500	122	027-24100	112	028-30081	109	029C90105	83
026-40600	120	027-24101	112	028-32071	111	029C90112	83
026-40601	120	027-24200	112	028-32072	111	029C98090	83
026-40602	120	027-24201	112	028-32081	111	029C98100	83
026-40702	121	027-24202	112	028-32082	111	029C98105	83
026-94221	89	027-24300	112	028-32083	110	029C98107	83
026-94222	89	027-24301	112	028-32084	110	029C98112	83
026-94223	89	027-24400	115	028-32085	110	030-94221	91
026-94225	89	027-24401	115	028-32086	110	030-94222	91
026-942255	89	027-24402	115	028-33035	108	030-94223	91
026-94321	89	027-24403	115	028-33036	108	030-94224	91
026-94322	89	027-24416	115	028-33037	108	030-94225	91
026-94323	89	027-24417	115	028-33038	108	030-942255	91
026-94325	89	027-80090	107	028-33039	108	030-94521	91
026-943255	89	027-80100	107	028-33040	108	030-94522	91
026-94521	90	027-80114	107	028-33041	108	030-94523	91
026-945215	90	027-81090	107	028-33042	108	030-94524	91
026-94522	90	027-81100	107	028-33043	108	030-94525	91
026-94523	90	027-81114	107	028-33044	108	030-945255	91
026-94525	90	027-82096	110	029-08090	85	031-00043	33
026-945255	90	027-82106	110	029-08100	85	031-00049	59
026-94621	90	027-82114	110	029-08105	85	031-00050	59
026-94622	90	028-00101	107	029-08112	85	031-00051	31
026-94623	90	028-00114	107	029-98200	85	031-00056	76
026-94625	90	028-00190	107	029-98205	85	031-00061	33
026-946255	90	028-00290	107	029-98207	85	031-00062	33
027-20000	112	028-01101	107	029-98212	85	031-00063	33
027-20001	112	028-01114	107	029-98290	85	031-00064	33
027-20003	116	028-02090	111	029-09090	15	031-00089	59
027-20004	116	028-02091	111	029-90100	83	031-00095	31
027-20010	116	028-02101	111	029-90105	83	031-00096	27
027-20100	112	028-02102	111	029-90112	83	031-00097	27
027-20101	112	028-02114	111	029-98090	83	031-00098	71

Numerical Product Listing and Corresponding Catalog Page

Part Number	Page #	Part Number	Page #	Part Number	Page #	Part Number	Page #
031-00099	59	031-00304	17	031-00716	57	031-01230	25
031-00101	58	031-00305	17	031-00717	57	031-01234	26
031-00102	58	031-00306	17	031-00718	57	031-01235	26
031-00103	59	031-00309	17	031-00719	7	031-01236	26
031-00104	60	031-00311	16	031-00720	57	031-01237	26
031-00105	61	031-00315	17	031-00721	57	031-01238	26
031-00106	61	031-00319	17	031-00747	8	031-01239	26
031-00108	58	031-00320	16	031-00782	31	031-01240	26
031-00110	60	031-00321-	17	031-00784	31	031-01241	26
031-00111	58	031-00322-	17	031-00786	31	031-01250	36, 42
031-00112	58	031-00400	6	031-00823	38	031-01251	36, 42
031-00113	59	031-00402	6	031-00828	39	031-01252	36, 42
031-00114	60	031-00404	6	031-00844	29	031-01253	30
031-00115	61	031-00406	7	031-00845	30	031-01254	30
031-00116	61	031-00414	16	031-00846	30	031-01255	30
031-00120	60	031-00415	16	031-00858	38	031-01256	30
031-00123	58	031-00419	9	031-00870	36, 43	031-01257	29
031-00125	58	031-00537	13	031-00883	37, 44	031-01258	29
031-00129	59	031-00541	29	031-00886	37, 44	031-01263	70
031-00130	58	031-00542	30	031-00891	62	031-01264	70
031-00133	60	031-00550	29	031-00892	62	031-01265	70
031-00135	61	031-00551	30	031-00893	63	031-01266	70
031-00136	60	031-00553	60	031-00894	63	031-01267	70
031-00139	61	031-00575	29	031-00896	62	031-01268	70
031-00143	58	031-00635	53	031-00897	62	031-01269	51, 75
031-00145	58	031-00636	53	031-00899	63	031-01271	70
031-00146	60	031-00637	53	031-00921	8	031-01272	70
031-00147	59	031-00638	53	031-00923	8	031-01273	70
031-00149	59	031-00639	53	031-00924	8	031-01274	70
031-00150	61	031-00640	53	031-00929	44	031-01275	72
031-00153	60	031-00653-	54	031-00931	17	031-01276	72
031-00155	61	031-00653-20	52	031-00932	17	031-01277	6, 51
031-00157	59	031-00653-21	52	031-00961	17	031-01278	10, 11, 12, 15, 51
031-00159	61	031-00654-	54	031-00962	17	031-01281	51
031-00160	61	031-00654-116	52	031-00963	17	031-01282	48
031-00170	56	031-00654-117	52	031-00964	17	031-01283	48
031-00199	18	031-00655-	54	031-00980	17	031-01284	48
031-00200	6, 7, 9-15	031-00655-33	52	031-00981	17	031-01285	48
031-00203	31	031-00655-34	52	031-00999	71	031-01293	49
031-00233	18	031-00656-	54	031-01070	10	031-01298	56
031-00234	19	031-00656-9	53	031-01071	10	031-01299	49
031-00235	19	031-00657-	54	031-01072	10	031-01500	65, 71
031-00242	16	031-00657-34	53	031-01074	14	031-01502	51, 65
031-00243	17	031-00658-	54	031-01092	14	031-01503	65
031-00245	17	031-00658-14	53	031-01112	50	031-01507	65
031-00246	17	031-00677	53	031-01200	56	031-01515	71
031-00247	17	031-00678	53	031-01201	37, 44	031-01520	34
031-00250	17	031-00679	53	031-01208	28	031-01521	34
031-00252	16	031-00680	53	031-01209	28	031-01522	34
031-00256	17	031-00681	53	031-01211	51	031-01523	34
031-00260	17	031-00682	53	031-01219	18, 27	031-01524	34
031-00261	16	031-00695-	54	031-01220	18	031-01525	34
031-00262-	17	031-00696-	54	031-01225	51	031-01526	34
031-00263-	17	031-00697-	54	031-01226	25	031-01527	34
031-00295	31	031-00698-	54	031-01227	25	031-01528	34
031-00301	16	031-00699-	54	031-01228	25	031-01529	34
031-00302	17	031-00700-	54	031-01229	25		

PRODUCT INDEX

Numerical Product Listing and Corresponding Catalog Page

Part Number	Page #	Part Number	Page #	Part Number	Page #	Part Number	Page #
031-01536	38	032-00356	31	033-04150	75	033-08004	3, 52
031-01537	49	032-00357	31	033-04234	17	033-08007	3, 52
031-01539	47	032-00426	31	033-04235	17	033-08009	3, 52
031-01540	47	033-00011	16	033-04243	17	033-08011	3, 52
031-01541	47	033-00051	73	033-04259	72	034-00255	184
031-01548	47	033-00053	73	033-04263	72	034-00256	184
031-01583	22, 39	033-00075	77	033-04269	22, 39	034-00416	76
031-01584	56	033-00076	77	033-04530	66	034-00426	58, 59
031-01585	22, 39	033-00078	77	033-04542	67	034-00427	59
031-01586	18 27	033-00079	77	033-04546	67	034-00428	59
031-01587	18	033-00088	33	033-04550	66	034-00429	58
031-01588	76	033-00089	33	033-04555	66	034-00430	58
031-01589	62	033-00208	10	033-04567	66	034-00433	59, 61
031-01630	31	033-00209	10	033-04647	67	034-00434	61
031-01635	12	033-00210	10	033-04648	67	034-00435	61
031-01636	11	033-00211	10	033-04675	73	034-00436	60
031-01637	15	033-00212	10	033-04682	71	034-00437	60
031-01639	41	033-00213	10	033-04683	71	034-00443	33
031-01640	41	033-00214	14	033-04684	71	034-00445	33
031-01641	41	033-00215	14	033-04685	71	034-00446	33
031-01642	41	033-00216	14	033-04730	18, 27	034-00449	32
031-01645	23	033-00217	14	033-04731	76	034-00451	32
031-1646/A	41	033-00218	12	033-04755	50	034-00452	32
031-1646/A	41	033-00219	12	033-04992	65	034-00455	32
031-1646/A	41	033-00257	75	033-04993	65	034-00457	32
031-1646/A	41	033-00270	74	033-04994	71	034-00458	32
031-01653	47	033-00271	74	033-04995	71	034-00461	32
031-01655	47	033-00272	74	033-05016	65	034-00463	32
031-01660	42	033-00277	74	033-05017	65	034-00464	32
031-01661	42	033-00297	56	033-05040	72	034-00628	58
031-01662	43	033-00319	56	033-05041	72	034-00629	58
031-01663	43	033-00374	76	033-05042	72	034-00636	58
031-01664	43	033-00405	17	033-05043	72	034-00637	58
031-01700	35	033-00410	17	033-05110	77	034-00642	59
031-01701	35	033-00411	17	033-05111	77	034-00643	59
031-01702	35	033-00412	17	033-05112	77	034-00644	59
031-01703	35	033-00417	17	033-05125	77	034-00645	59
031-AC001	54	033-00420	17	033-05126	77	034-00650	61
031-AC002	54	033-00422	16	033-05127	77	034-00651	61
031-AC003	54	033-00430	16	033-05173	11	034-00660	60
031-AC262	17	033-00432	17	033-05174	11	034-00661	60
032-00194	19	033-00434_	17	033-05175	15	034-00668	60
032-00199	19	033-00435_	17	033-05176	15	034-00669	60
032-00203	18	033-00441	17	033-05185	9	034-00672	60
032-00223	6, 10, 11, 14, 15	033-00849	6	033-05186	9	034-00673	60
032-00224	6, 9, 10 12, 13, 14, 31	033-00850	6	033-05190	68	034-00676	58
032-00253	36, 43	033-00853	6	033-05191	68	034-00677	58
032-00285	7	033-00854	6	033-05192	68	034-00679	58
032-00337	57	033-00855	6	033-05193	68	034-00682	59
032-00338	57	033-00856	6	033-05194	69	034-00683	59
032-00340	57	033-00864	75	033-05195	69	034-00685	61
032-00341	57	033-00865	75	033-05196	69	034-00688	60
032-00342	57	033-00868	74	033-05197	69	034-00689	60
032-00355	31	033-00870	74	033-05220	13	034-00731	7
		033-02254	50	033-05221	13	034-00732	7
		033-03404	75	033-08001	3, 52	034-00866	29
		033-04139	39, 45	033-08002	3, 52	034-00867	30

Numerical Product Listing and Corresponding Catalog Page

Part Number	Page #
034-00877	60
034-00878	60
034-01312	21
034-01313	21
034-01314	21
034-01315	21
034-01316	21
034-01317	21
034-01318	21
034-01319	21
034-01320	20
034-01321	20
034-01322	20
034-01323	20
034-01324	20
034-01325	20
034-01326	20
034-01327	20
034-01352	20
034-01353	20
034-01354	20
034-01355	20
034-01356	20
034-01357	20
034-01358	20
034-01359	20
034-01362	21
034-01363	21
034-01364	21
034-01365	21
034-01366	21
034-01367	21
034-01368	21
034-01369	21
034-01453	21
034-01454	21
034-01455	21
034-01456	21
034-01472	21
034-01473	21
034-01474	21
034-01475	21
034-01493	21
034-01494	21
034-01495	21
034-01496	21
034-01497	21
034-01498	21
034-01499	21
034-01500	21
034-01520	35
034-01521	35
034-01522	35
034-01523	35
034-01524	35
034-01525	35
034-01526	35

Part Number	Page #
034-01527	35
034-01528	35
034-01529	35
034-01545	30
034-01546	30
034-01600	37, 44
034-01602	37, 44
034-01658	29
034-01659	29
034-01660	36, 42
034-01661	36, 42
034-01662	30
034-01663	30
034-02130	47
034-02131	47
034-02132	47
034-02139	47
034-02184	31
034-02190	41
034-02191	41
034-02192	41
034-02193	41
034-02194	41
034-02195	41
034-02196	41
034-02197	41
034-02198/A	41
034-02199/A	41
034-02200/A	41
034-02201/A	41
034-02220	22
034-02221	22
034-02240	22
034-02241	22
034-02212	23
034-02213	23
034-02221	22
034-02290	5
034-02300	5
034-02394	173
034-02464	35
034-02465	35
034-02466	35
034-02467	35
034-02533	4
034-02534	4
042-00001	168
042-00002	168
042-00007	168
042-00008	168
042-00009	168
042-01547	168
051-00046	180
051-00077	181
051-00078	181
054-00030	179
054-00031	179

Part Number	Page #
054-00032	179
054-00033	179
054-00041	180
054-00042	180
054-00043	180
054-00044	180
054-00047	180
054-00048	180
054-00049	180
054-00050	180
054-00117	180
054-00200	181
054-00201	181
054-00202	181
054-00203	181
054-00220	181
054-00221	181
064-00008	174
064-00018	174
064-00019	174
981-00055	182
981-00159	182
981-00166	182
982-00012	168
982-00013	168
982-00014	168
982-00015	168
982-00016	168
982-00046	170
982-00047	170
982-00048	170
982-00049	170
982-00050	170
982-00212	170
982-00214	171
982-00216	171
982-00220	171
982-00221	172
982-00222	172
982-00239	170
982-00240	171
982-00242	171
982-00243	171, 172
982-00244	169
982-00254	176
982-00255	177
982-00256	176
982-00257	169
982-00258	176
982-00260	169
982-00268	169
982-00270	170
982-00271	171
982-00272	171
982-00273	171
982-00274	172
982-00275	172

Part Number	Page #
982-00302	177
982-00303	170
982-00304	170
982-00317	177
982-00318	177
982-00319	177
982-00320	177
982-00500-24	175
982-00501-24	175
982-00502-24	175
983-00135	173
983-00242	173
983-00318	175
983-00320	175
984-00030	182
984-00032	182
984-00035	182
984-00065	182
984-00066	183
984-00071	182
984-00114	183
984-00115	183
991-00085	103
991-00126	97
991-00400-100	103
991-00401-100	103
991-00402-100	103
991-00506-50	103
991-00609	98
991-00630-50	103
991-00631-50	103
991-00632	103
991-00700-100	103
992-00001	95
992-00001-200	103
992-00005	102, 117
992-00701	94, 99, 103
992-01100	94, 99
992-01100-200	103
992-01101	98
993-00004	97
993-00109	146
993-00240-100	96, 103
993-00703	117
993-00721	95, 103
994-00002	102
994-00105	102
994-00106	103
994-00500	100
995-00111-400	103
995-00112-400	103
995-00113-400	103
995-00114	103
995-00115	103
995-00116	103
995-00401	100
996-01900	133

Numerical Product Listing and Corresponding Catalog Page

Part Number	Page #	Part Number	Page #	Part Number	Page #	Part Number	Page #
997-70170	45						
997-70174	57						
997-75000	73						
997-75003	73						
997-75004	73						
997-75005	73						
997-98015	146						
997-98016	147						
997-98017	146						
997-98019	147						
997-98020	146						
997-98022	146						
997-98027	146						

Fractions of an Inch with Decimal / Metric Equivalents

<i>fraction</i>	<i>decimal</i>	<i>millimeters</i>
1/64	.0156	.3969
1/32	.0313	.7938
3/64	.0469	1.1906
1/16	.0625	1.5875
5/64	.0781	1.9844
3/32	.0938	2.3813
7/64	.1094	2.7781
1/8	.1250	3.1750
9/64	.1406	3.5719
5/32	.1563	3.9687
11/64	.1719	4.3656
3/16	.1875	4.7625
13/64	.2031	5.1594
7/32	.2188	5.5563
15/64	.2344	5.9531
1/4	.2500	6.3500
17/64	.2656	6.7469
9/32	.2813	7.1438
19/64	.2969	7.5406
5/16	.3125	7.9375
21/64	.3281	8.3344
11/32	.3438	8.7313
23/64	.3594	9.1281
3/8	.3750	9.5250
25/64	.3906	9.9219
13/32	.4063	10.3188
27/64	.4219	10.7156
7/16	.4375	11.1125
29/64	.4531	11.5094
15/32	.4688	11.9063
31/64	.4844	12.3031
1/2	.5000	12.7000
33/64	.5156	13.0969
17/32	.5313	13.4938
35/64	.5469	13.8906
9/16	.5625	14.2875
37/64	.5781	14.6844
19/32	.5938	15.0813
39/64	.6094	15.4781
5/8	.6250	15.8750
41/64	.6406	16.2719
21/32	.6563	16.6688
43/64	.6716	17.0656
11/16	.6875	17.4625
45/64	.7031	17.8594
23/32	.7188	18.2563
47/64	.7344	18.6531
3/4	.7500	19.0500
49/64	.7656	19.4469
25/32	.7813	19.8438
51/64	.7969	20.2406
13/16	.8125	20.6375
53/64	.8281	21.0344
27/32	.8438	21.4313
55/64	.8594	21.8281
7/8	.8750	22.2250
57/64	.8906	22.6219
29/32	.9063	23.0188
59/64	.9219	23.4156
15/16	.9375	23.8125
61/64	.9531	24.2093
31/32	.9688	24.6063
63/64	.9844	25.0031
1	1.0000	25.4000





Millimeter to Inch Conversion

<i>mm</i>	<i>inch</i>	<i>mm</i>	<i>inch</i>
1	0.0394	51	2.0079
2	0.0787	52	2.0472
3	0.1181	53	2.0866
4	0.1575	54	2.1260
5	0.1969	55	2.1654
6	0.2362	56	2.2047
7	0.2756	57	2.2441
8	0.3150	58	2.2835
9	0.3543	59	2.3228
10	0.3937	60	2.3622
11	0.4331	61	2.4016
12	0.4724	62	2.4409
13	0.5118	63	2.4803
14	0.5512	64	2.5197
15	0.5906	65	2.5591
16	0.6299	66	2.5984
17	0.6693	67	2.6378
18	0.7087	68	2.677
19	0.7480	69	2.7165
20	0.7874	70	2.7559
21	0.8268	71	2.7953
22	0.8661	72	2.8346
23	0.9055	73	2.8740
24	0.9449	74	2.9134
25	0.9843	75	2.9528
26	1.0236	76	2.9921
27	1.0630	77	3.0315
28	1.1024	78	3.0709
29	1.1417	79	3.1102
30	1.1811	80	3.1496
31	1.2205	81	3.1890
32	1.2598	82	3.2283
33	1.2992	83	3.2677
34	1.3386	84	3.3071
35	1.3780	85	3.3465
36	1.4173	86	3.3858
37	1.4567	87	3.4252
38	1.4961	88	3.4646
39	1.5354	89	3.5039
40	1.5748	90	3.5433
41	1.6142	91	3.5827
42	1.6535	92	3.6220
43	1.6929	93	3.6614
44	1.7323	94	3.7008
45	1.7717	95	3.7402
46	1.8110	96	3.7795
47	1.8504	97	3.8189
48	2.8740	98	3.8583
49	1.9291	99	3.8976
50	1.9685	100	3.9370

Comparison of Gauges (Based on Steel Sheet Equivalent)

<i>gauge no.</i>	<i>U.S. standard</i>	<i>gauge no.</i>	<i>U.S. standard</i>
3	.2391	21	.0329
4	.2242	22	.0299
5	.2092	23	.0269
6	.1943	24	.0239
7	.1793	25	.0209
8	.1644	26	.0179
9	.1495	27	.0164
10	.1345	28	.0149
11	.1196	29	.0135
12	.1046	30	.0120
13	.0897	31	.0105
14	.0747	32	.0097
15	.0673	33	.0090
16	.0598	34	.0082
17	.0538	35	.0075
18	.0478	36	.0067
19	.0418	37	.0064
20	.0359	38	.0060

Torque Specification

<i>bolt size- material or grade</i>	 SAE 2 Low Carbon Steel	 SAE 5 Medium Carbon Steel- Quenched & Tempered	 SAE 8 Medium Carbon Alloy Steel- Quenched & Tempered	 Stainless AISI TYPE 303 18-8
1/4-20	6	11	12	5
1/4-28	7	13	15	7
5/16-18	13	21	25	9
5/16-24	14	23	30	10
3/8-16	23	38	50	17
3/8-24	26	40	60	18
7/16-14	37	55	85	25
7/16-20	41	60	95	28
1/2-14	57	85	125	37
1/2-20	64	95	140	40
9/16-12	80	125	175	50
9/16-18	91	140	195	54
5/8-11	111	175	245	75
5/8-18	128	210	270	80
3/4-10	180	300	425	115
3/4-16	200	330	460	125
7/8-9	275	450	660	170
7/8-14	300	490	700	185
1"-8	415	680	990	260
1"-14	435	715	1050	270

Torque Units Conversion

<i>To Obtain</i> \ <i># of</i>	<i>Inch Ounces</i>	<i>Inch Pounds</i>	<i>Foot Pounds</i>	<i>Meter Kilograms</i>	<i>Newton Meters</i>
Inch Ounces	1	16	192	1389	141.6
Inch Pounds	.0625	1	12	86.80	8.851
Foot Pounds	.005208	.08333	1	7.233	.7376
Meter Kilogram	.0007201	.01152	.1383	1	.1020
Newton-Meters	.007061	.1130	1.356	9.806	1

Metric Weight Equivalents

**conversion of mass
from U.S. to metric**
pounds x 0.454 =
kilograms

The Fleet Engineers Advantage.

For over 50 years, Fleet Engineers has served the trucking industry. Although the foundation for Fleet Engineers legacy is built on its reputation as a parts manufacturer, today Fleet Engineers delivers specific product line solutions in trailer door systems, spray control solutions, aerodynamics technologies and truck and trailer accessories and parts designed to perform in even the most demanding conditions. Every one of our products comes with our promise to always provide the best quality design and engineering, personalized service and competitive pricing possible.

The logo for Fleet Engineers, featuring the word "FLEET" in a bold, black, sans-serif font above the word "ENGINEERS" in a similar font. The letter "F" in "FLEET" is stylized with a red vertical bar on its left side.

**FLEET
ENGINEERS**