



1960-1965 Comet



Note: For safety disconnect battery cables and ensure that the vehicle is properly supported by jack stands.

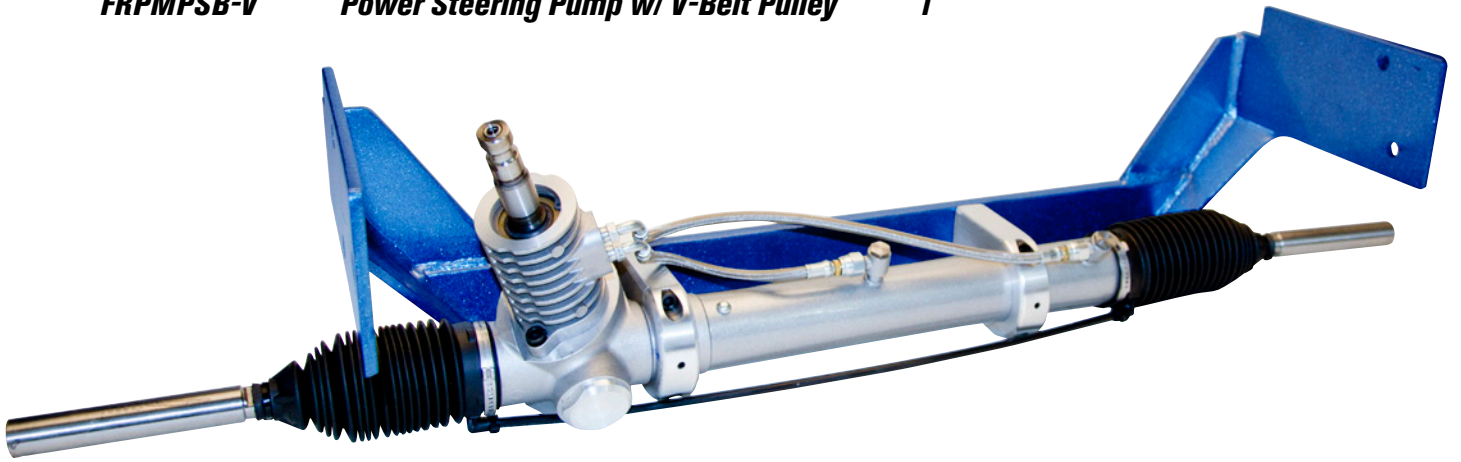
Before painting or powder coating of the cradle, we recommend that you pre-fit the entire system to ensure proper fitment for your application.

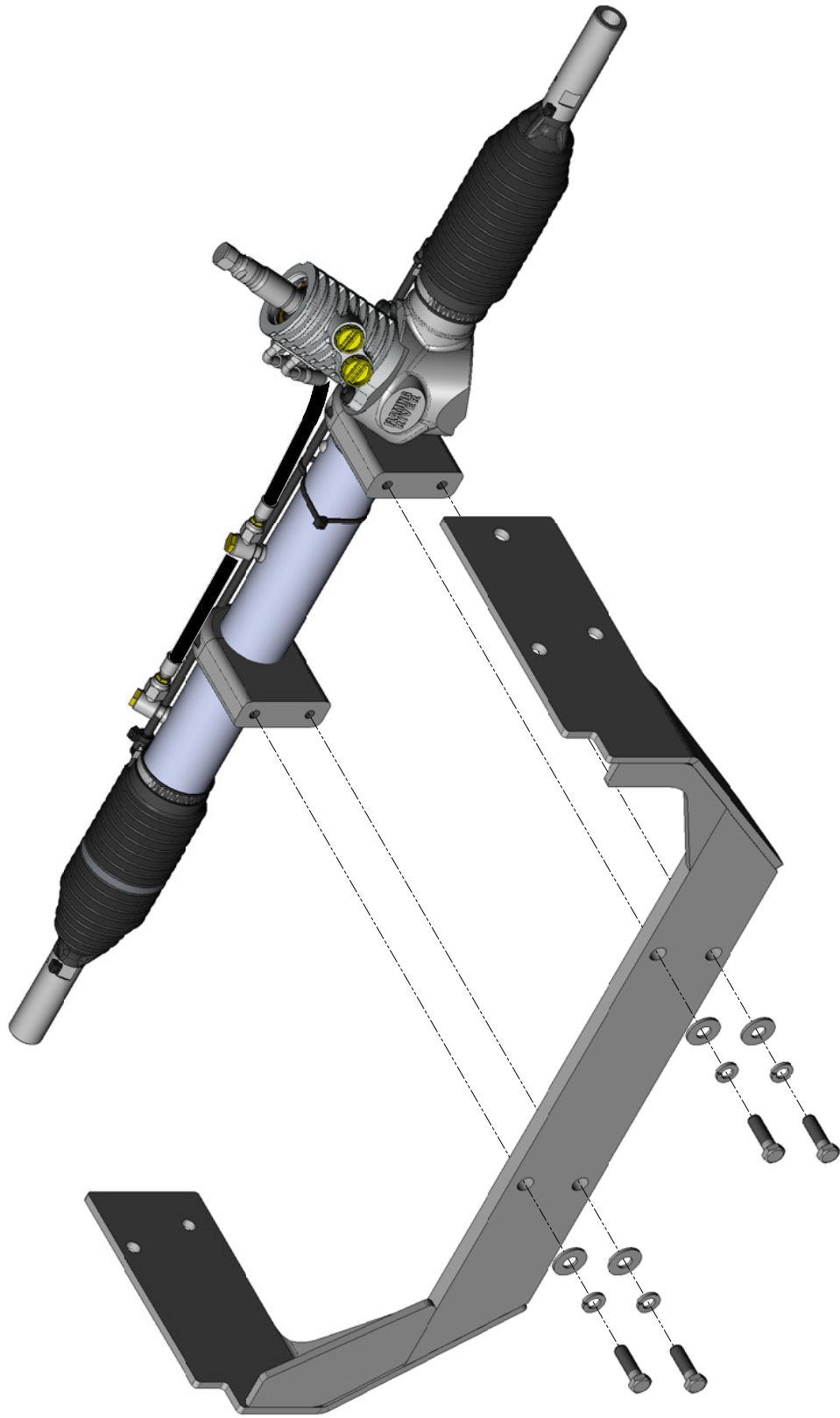
Inventory	pg 2
Removal of Factory Steering	pg 4 - 5
Installation of:	
Flaming River Tilt Column	pg 6
Electrical System Notes	pg 7
Rack and Cradle	pg 8
Universal Joint and Steering	pg 9
Shaft Installation	
Power Steering Pump Installation	pg 10
<u>Power Steering Bleeding Procedure</u>	pg 11

WARRANTY DISCLAIMER: Flaming River's® Limited Warranty

Flaming River® warrants its products to be free from defects in material and workmanship for a period of one (1) year after the date of purchase, except that: All steering columns are warranted for a period of three (3) years from the date of purchase. The Big Switch (part number FR1005) is warranted for a period of three (3) years from the date of purchase, provided that it is not mounted with a steel bracket and provided further that it is adequately protected from environmental conditions. All electrical products other than the Big Switch are warranted for a period of ninety (90) days from the date of purchase. Flaming River's® warranty liability is limited to the replacement of defective products. Flaming River® is not liable for any labor costs associated with any warranty claim, or for any incidental or consequential damages. Improper installation, abuse, racing, and/or modification of the products voids this warranty. No warranty of merchantability or fitness for a particular purpose is made by Flaming River® with respect to any of its products. Warnings and Recommendations It is the customer's responsibility to determine the suitability of a given Flaming River® product for the customer's uses. Likewise, it is the customer's responsibility to install a Flaming River® product. Contact the vehicle manufacturer whenever installing a switch to confirm the appropriateness of using such a switch and the recommended placement of the switch on the vehicle. Use qualified chassis specialists for the installation of all steering related components. Be aware that the installation of certain Flaming River® products may adversely impact a manufacturer's warranty with respect to certain vehicles and other manufactured goods. Flaming River will repair or replace any product found to be defective in material or workmanship. Improper installation, abuse, racing and/or modification VOID WARRANTY. Flaming River® is not responsible for any labor costs associated with any warranty.

<i>PART No.</i>	<i>DESCRIPTION</i>	<i>QTY</i>	<i>NOTES</i>
100954	Mounting Hardware Kit	1	
100956	Power Rack & Pinion Cradle Assembly	1	
FR1614	Remote Power Steering Fluid Reservoir	1	
FR1934	1"DD x 3/4"DD Universal Joint	1	
FR1969	3/4"DD x FR Power Universal Joint	1	
FR20010RK	Billet Aluminum Shift Linkage	1	Column Shift Kit Only
FR20059	Adjustable Shift Arm	1	Column Shift Kit Only
FR20097	Aluminum Floor Mount	1	
FR20118-1	Wiring Connector w/Hazards	1	
FR21017	Tilt Column Shift Steering Column	1	Column Shift Kit Only
FRXXXXX	Tilt Floor Shift Steering Column	1	Floor Shift kit Only
FRHRN2	Horn Relay	1	
FRMBPW1	Power Steering Pump Bracket	1	
FRPMPSB-V	Power Steering Pump w/ V-Belt Pulley	1	





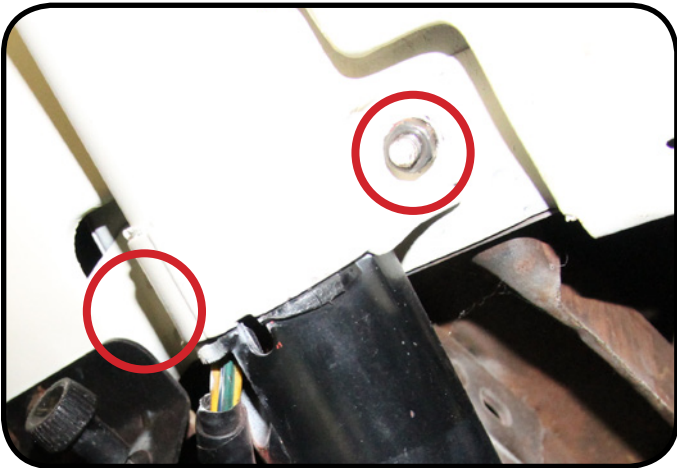
Original System Removal



- 1. If your vehicle has a column shift style steering column, disconnect the transmission shift linkage from the steering column.***



- 2. Remove the horn button by pushing down on the horn button and turning counter clockwise. Next remove the steering wheel retaining nut and then using a wheel puller remove the steering wheel from column.***

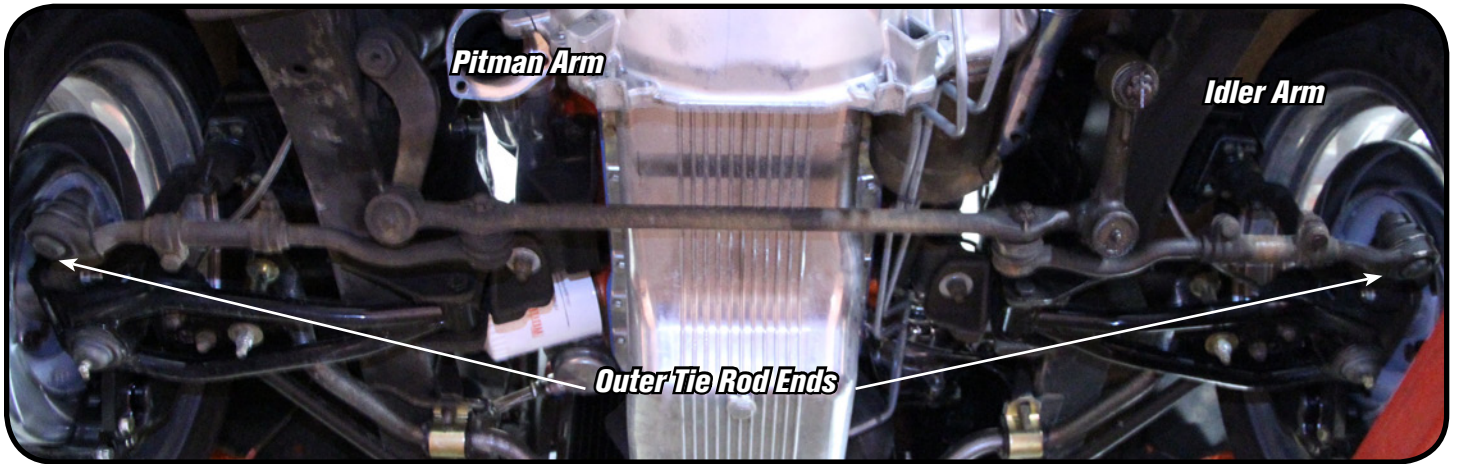


- 3. Remove the two nuts from the column support bracket from under the dash. Next unplug the electrical connector that connects the steering column to the vehicle harness.***



- 4. Remove the upper alignment bushing that is located at the center of the turn signal switch. Next remove the column tube by sliding it off of the column shaft.***

Original System Removal



5. Remove the pitman arm from the steering box using a pitman arm puller.

Note: If the vehicle is equipped with power steering remove any power steering lines connected to valve and drain the system.

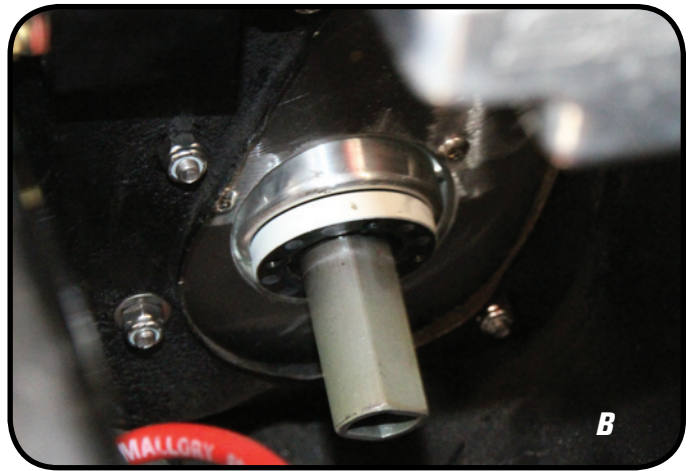
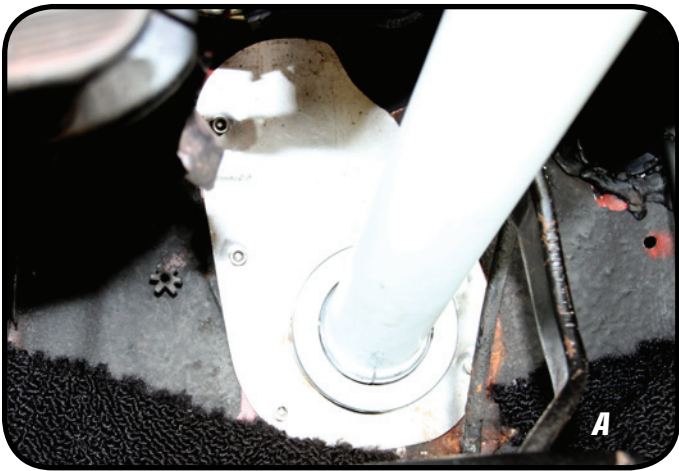
6. Remove the two (2) bolts that retain the idler arm to chassis.

7. Remove the cotter pins and the castle nuts from the outer tie rod ends, using a pickle fork remove the tie rod ends from the spindle arms and then remove the steering linkage from the vehicle.

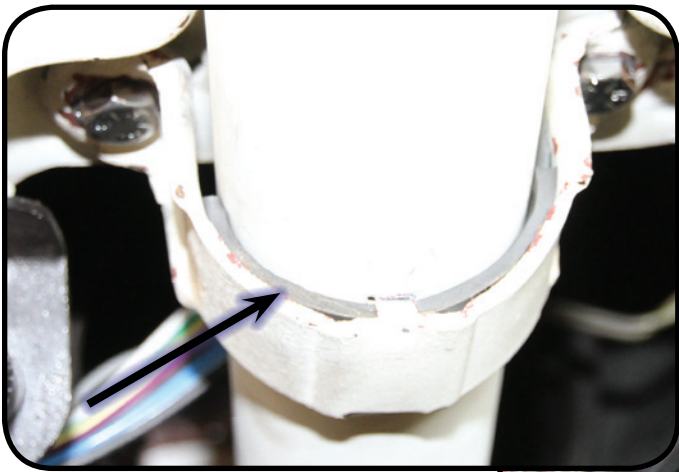


8. Remove the three (3) bolts that hold the steering to chassis and remove the steering box from the car.

Installation of Flaming River Tilt Column



- 1. Slide new swivel floor mount over the column tube (Picture A) so the swivel portion of the floor mount is at the end of the column tube (Picture B). Next place the column through the firewall and loosely mount the floor mount to hold the column in place.**



- 2. Place the rubber spacer into the factory under dash mount and trim away excess. Next, making sure the column is straight, fit the under dash mount to the new Flaming River steering column and then mount the steering column in the factory original position.**

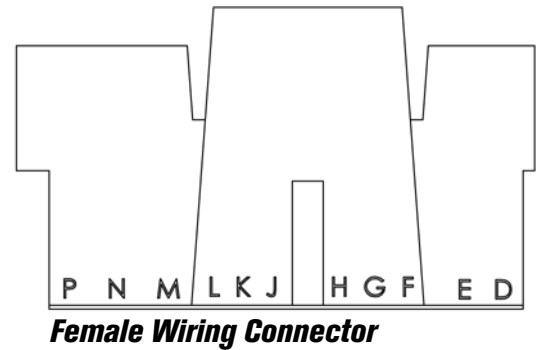
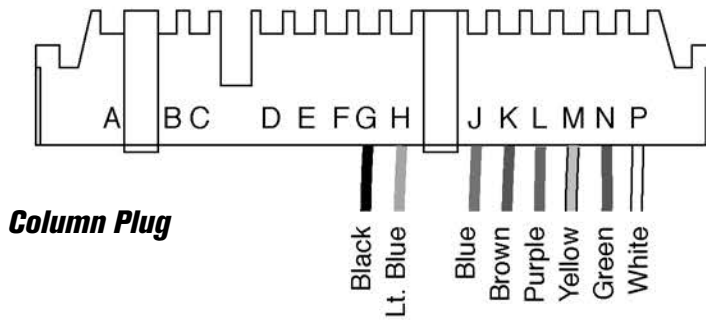
New Flaming River steering column installed.



Connecting the Electrical System

Function	FR Column	Location	Vehicle Wiring
Horn	Black	G	Brown (Horn Relay)
Lt Front Turn Signal	Light Blue	H	Green/White
Rt Front Turn Signal	Blue	J	White/Black
Hazard	Brown	K	See Note
Turn Signal - Power	Purple	L	Blue
Lt Rear Turn Signal	Yellow	M	Green/Orange
Rt Rear Turn Signal	Green	N	Orange/Blue
Brake Light	White	P	Green

Note: The hazard power wire goes to a 12v power source from the vehicle's fuse panel. This feature will add 4-Way Emergency flasher to the car.



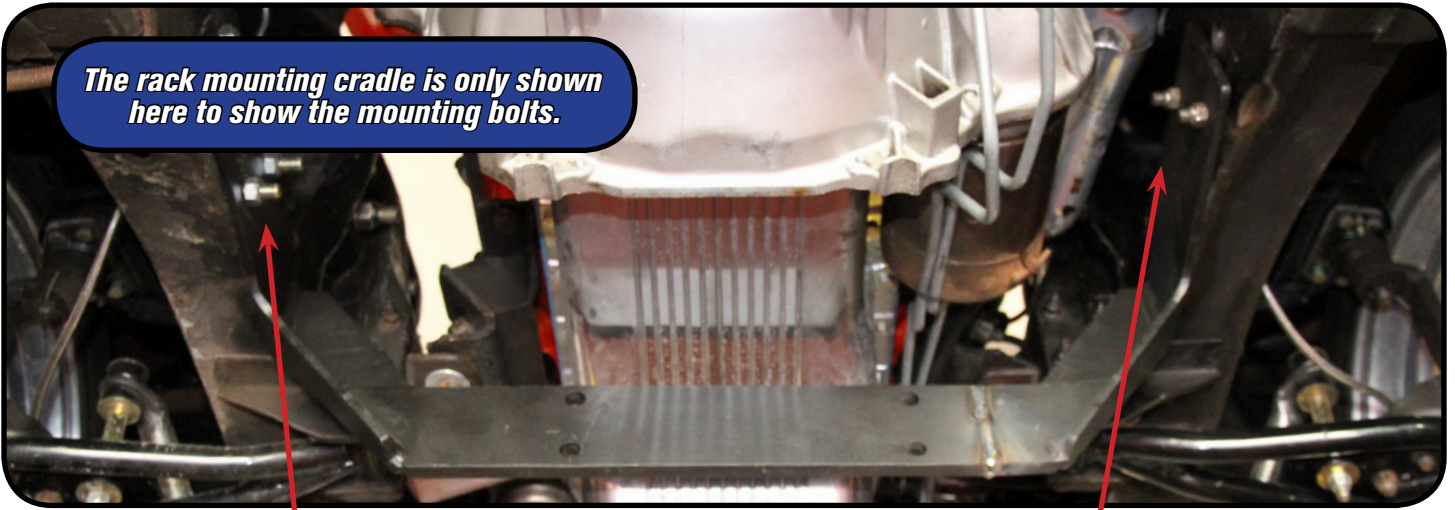
Horn Relay

1. Connect the **Yellow** and **Blue** wires on the horn relay to the **Yellow** wire on the vehicle harness.
2. The **Red** wire on the horn relay connects to the **Yellow** wire with a stripe on the vehicle harness.
3. The **Brown** wire on the horn relay connects to the **Black** wire on the steering column harness terminal **G**.

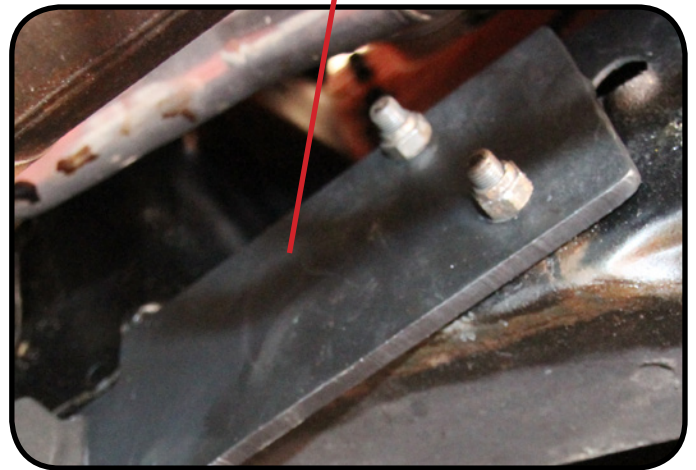
Note: The Black wire on the horn relay is not used.

Installation of Flaming River Rack & Cradle System

The rack mounting cradle is only shown here to show the mounting bolts.

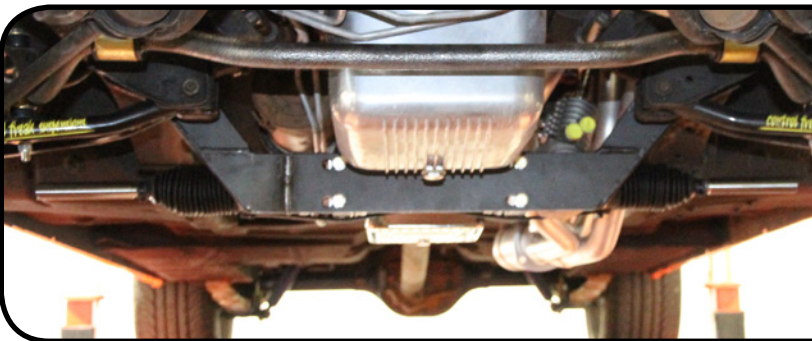


Driver Side



Passenger Side

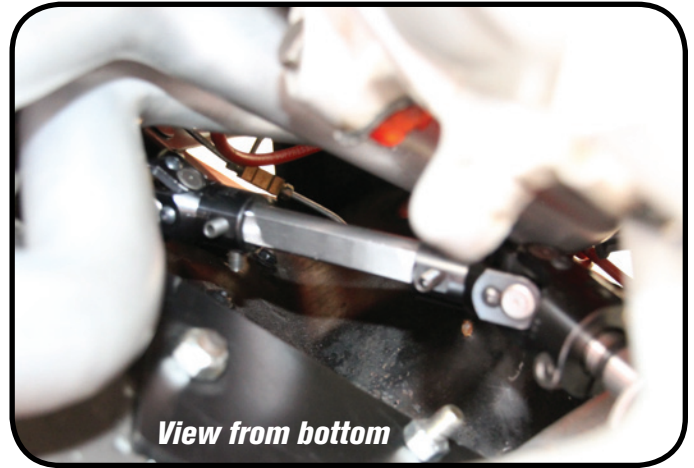
1. Install the rack and pinion cradle by sliding it into place between the frame rails. Using the new hardware, install the three (3) 7/16" bolts on the drivers side using the original holes from the steering gear box. On the passenger side use the two (2) 3/8" bolts were the idler arm was mounted. Tighten the 7/16" bolts and nuts to 50-65 ft lbs. and the 3/8" bolts and nuts to 40-45 ft lbs..



Rack & Cradle Shown Installed.



Installation of Universal Joints & Shafting



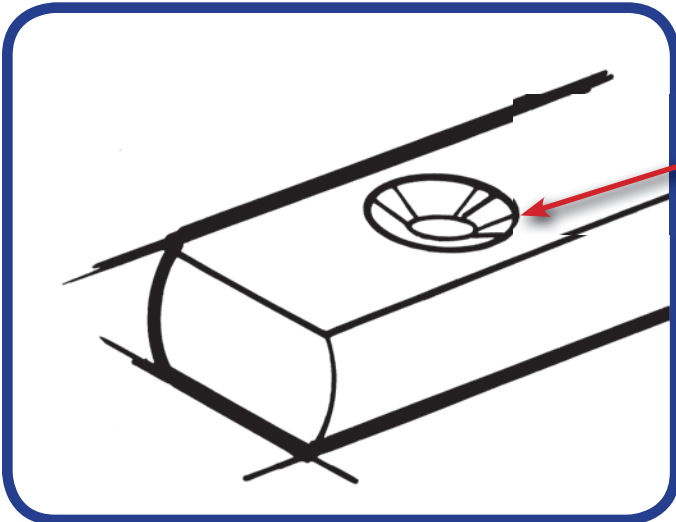
1. Using a 3/4" wooden dowel rod, mock up the steering shaft to obtain the correct shaft lengths and u-joint angle.

2. Once the correct shaft lengths are obtained, install shafts and u-joints snugging down each set screw so that it leaves a mark in the shaft.

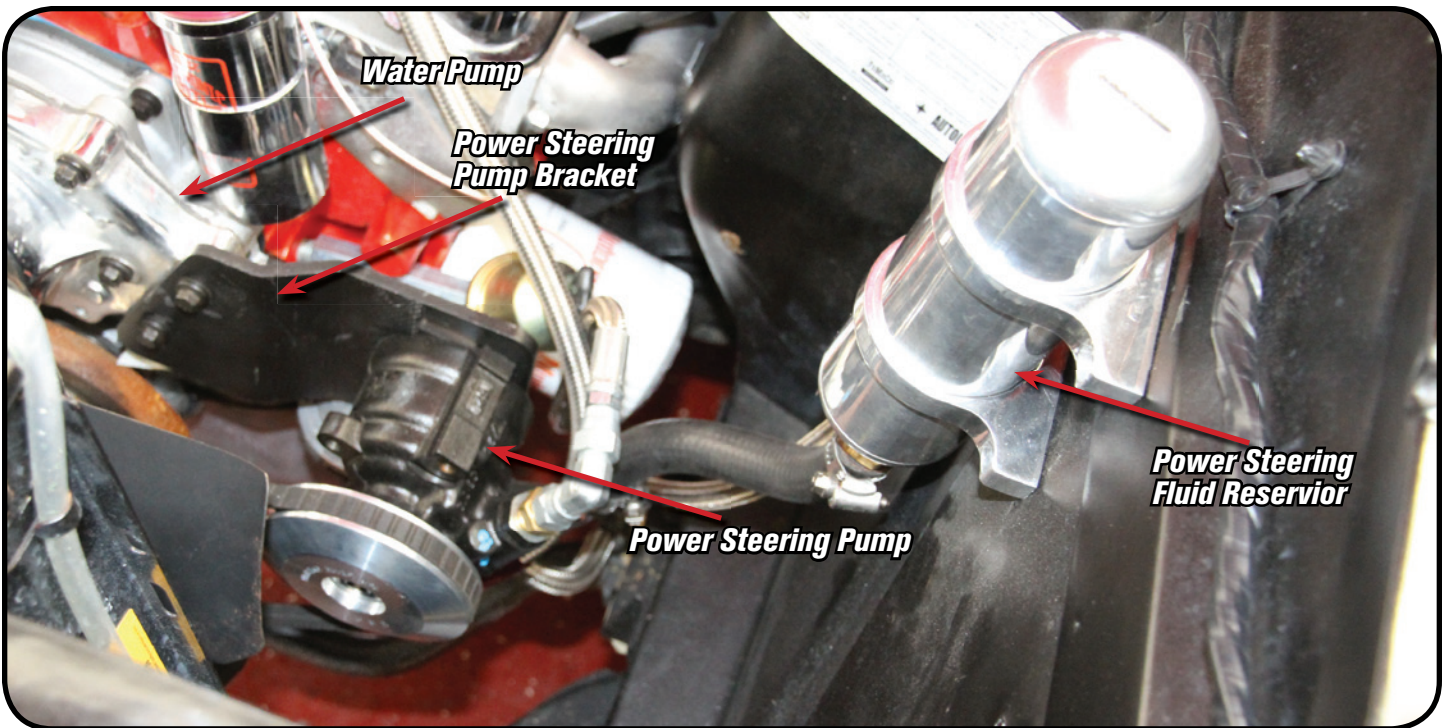
3. Remove the shafts and using a 1/4" drill bit, dimple each mark left by the set screws.

4. Re-install the shafts and u-joints using a red thread locker on the set screw threads. Tighten each set screw to 25 ft lbs. and then tighten all jam nuts securely.

**** We recommend that you regularly inspect the u-joint set screws for tightness.****



Installation of Power Steering Pump



- 1. Install the power steering pump bracket to the water pump as shown in the picture.***
- 2. Mount the power steering pump to the bracket. Only snug the mounting bolts, the mounting bolts will be tightened once the belt is installed and the pulley is adjusted.***
- 3. Install the power steering fluid reservoir, the reservoir must be mounted higher than the pump for correct fluid flow to the pump.***

Flaming River Synthetic Power Steering Fluid

Formulated for High Performance Steering Systems! This newly developed line of Synthetic Power Steering Fluid is a natural addition to Flaming River's Power Rack and Pinions and Power Steering Accessory product lines.

Available in a 1 quart bottle, this Power Steering Fluid reduces operating temperatures and fluid expansion, resists foaming, and also increases the life of power steering systems by reducing internal wear and tear.

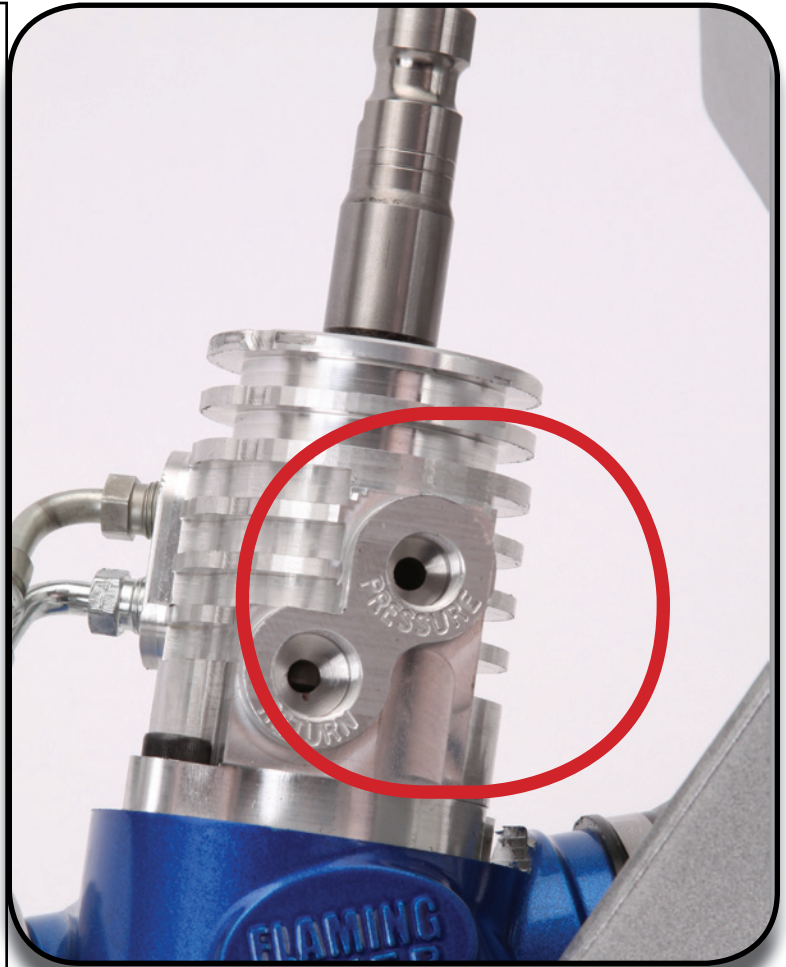
Flaming River's Synthetic Power Steering Fluid is recommended for all power steering applications. Simply purge the vehicle of its current power steering fluid and replace with Flaming River's unique blend that easily mixes with any trace amounts of other steering fluid left behind.

FR41001 – Flaming River Synthetic Power Steering Fluid



Power Steering Bleeding Procedure

1. **Raise the front wheels off the ground and support the vehicle on jack stands.**
2. **Turn the steering wheel to the left lock and fill the reservoir and let the vehicle sit for 2 minutes.**
3. **WITH THE ENGINE OFF - Rotate the steering wheel lock to lock 20-25 times, while rotating the wheel have someone monitor the fluid level and fill as necessary.**
4. **Top off fluid**
5. **WITH THE ENGINE RUNNING - Rotate the steering wheel lock to lock 20-25 times, while rotating the wheel have someone monitor the fluid level and fill as necessary.**
6. **Lower the vehicle**
7. **Top off fluid**
8. **WITH THE ENGINE RUNNING - Rotate the steering wheel lock to lock 20-25 times, while rotating the wheel have someone monitor the fluid level and fill as necessary.**



Install your power steering lines to the correct pressure or return ports.

If using a stainless steel line kit, follow the instructions provided with your kit.

FR1610 Stainless Steel Line Kit is available Separately.

Note: If using the original power steering pump, you must first flush the pump of any power steering fluid. Contaminated power steering fluid may cause damage to the new rack and pinion.

Note: If the power steering fluid is foamy, let the vehicle sit for 10 minutes and then repeat the bleeding procedure.

Note: Trapped air in the system will cause a milky appearance in the fluid. Trapped air will also cause the fluid level to rise in the reservoir when the engine is not running.