

FLAMING[®]
RIVER

*The Big Switch
Lock-Out Assembly
Part No. FR1043
Installation Instructions*



"The Big Switch" is a durable, heavy duty waterproof disconnect switch. It is designed to completely shut off current flow from the battery of any engine powered vehicle or electrically-powered accessory system. NOTE: When installed with the mounting and lock-out bracket supplied in this kit and physically locked in the "off" position with a padlock (not included), this assembly meets OSHA requirements for positive "lock-out/tag-out" of power for commercial vehicles. "The Big Switch" is rated at 350 amps @ 12V and 24V for continuous service. (2,500 amps for 5 seconds).

WARNING

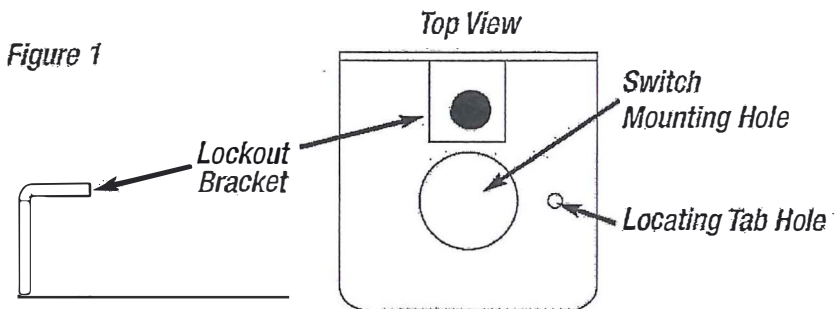
Contact the original manufacturer of the vehicle to determine if this switch is approved for your application and for mounting location. Flaming River Industries, Inc. make no recommendation as to mounting location or suitability to your application. However, when installed, this switch is a functioning part of the electrical current system. It should be treated as battery terminals. Covers are not furnished with this product but are recommended. Flaming River part Number FR1003TM

IMPORTANT NOTE *Installing switch with a steel bracket
VOIDS MANUFACTURERS WARRANTY on this battery disconnect switch.
Please use ONLY an anodized aluminum bracket.*

Assembly And Installation Instructions

NOTE: Before mounting the brackets, install the switch in the mounting bracket as follows:

- 1. Place the T-handle onto the switch stem and turn to the ON position, then remove the T-handle.*
- 2. Remove the large brass hex nut and wave washer and the ON/OFF plate from the installation kit package.*
- 3. Insert the neck of the switch into the mounting bracket hole just enough to install the ON/OFF plate, wave washer and start the brass hex nut.*
- 4. Tighten the brass hex nut until the wave washer is completely flat. (7-10 ft.-lbs.) Do Not Over Tighten! Make sure to align the alignment tab on the switch with the alignment hole on the mounting bracket.*
- 5. Install the T-handle onto the switch stem and turn to the off position. Making sure to align the lock-out hole in the handle with the lock-out hole in the mounting bracket.*
- 6. Remove the spring steel pin from the installation package and tap it in approx 1/4 inch. Ensure that the hole in the handle is aligned with the hole in the switch stem and then finish installing the pin.*



Electrical Connection Instructions

After the switch is mounted, the electrical cables can be attached to the switch. **CAUTION:** Disconnect the negative cable from the battery before connecting any cables to the switch. The switch will operate effectively by installing it in either the negative or the positive system. However, verify with vehicle manual, and follow all vehicle manufacturers instructions.

1. Select the cable into which the switch will be installed.
Disconnect both ends of this cable from its attachment points.
2. It may be necessary to discard this cable and replace it with two (2) separate cables. The length of these cables will equal the length to the switch as shown in Figure 3.
3. Attach the two (2) cable ends to the terminal studs as shown in the illustration in Figure 3. Tighten the hex nuts until the lock washers flatten (7-10 ft. lbs.) Do Not Over Tighten! Make sure the cables on the switch are not touching. Terminal covers are recommended.
4. Connect the other two ends of the cables to their connection points. Reconnect the battery.

Figure 2

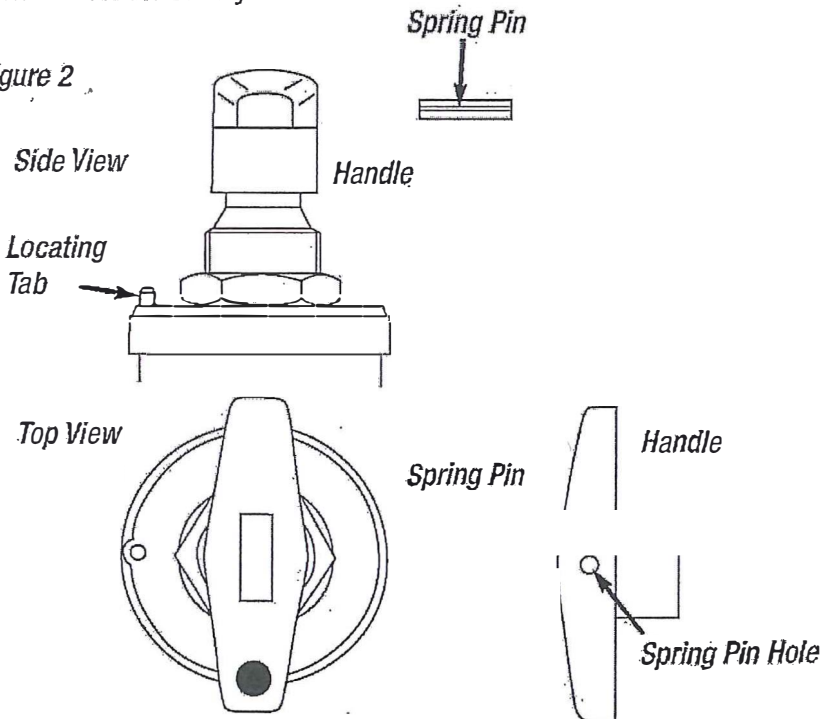
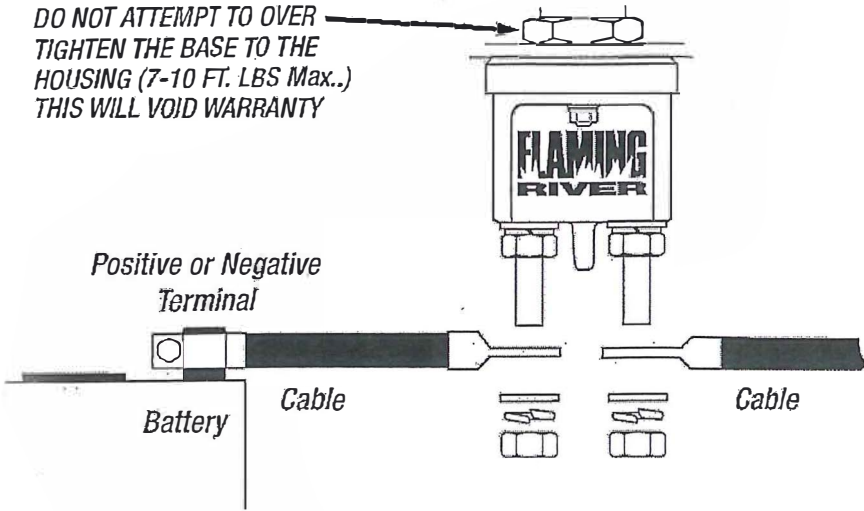


Figure 3

DO NOT ATTEMPT TO OVER
TIGHTEN THE BASE TO THE
HOUSING (7-10 FT. LBS Max.)
THIS WILL VOID WARRANTY



Warranty Disclaimer

Because of their intended usage, the manufacturer makes no warranties whatsoever expressed or implied, oral or written, to purchasers of their products regarding performance, safety, fit, merchantability or length of service. Purchasers are responsible for selection of proper goods and must rely on their own skill or judgment that such goods are suitable for the purchaser's application.

<i>Kit Contains</i>	<i>Qty.</i>	<i>Description</i>
	1	Switch with hardware
	1	locking bracket
	2	1/4-20 fastener
	2	1/4-20 nuts with lock washer
	1	On/Off Plate