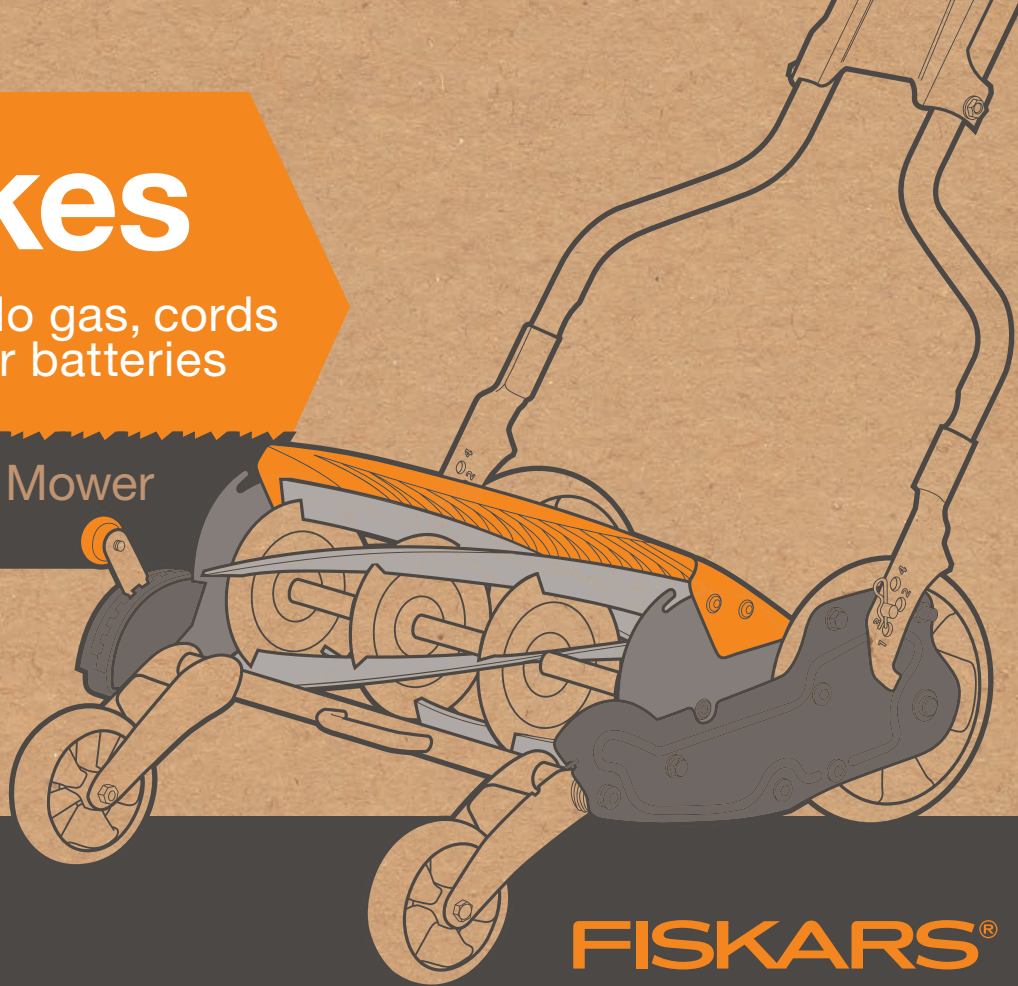


**All it takes  
is you.** No gas, cords  
or batteries

StaySharp™ Max Reel Mower  
Model number: 362050



**FISKARS®**

**Before assembling or using the mower, read through the entire manual and fully understand the safety information.**

## **⚠ WARNING** Safety Information

Do not use mower if in poor health.

Do not use this mower if it becomes damaged. Do not operate with missing or damaged guards.

Always wear safety glasses, gloves and closed-toed shoes when operating and maintaining your mower.

Never place hands, fingers or feet in the reel.

Always remove debris from path of mower.

Do not use mower on surfaces other than grass.

Always have sound footing when using the reel mower, especially on wet grass or on slopes (inclines).

Use safe lifting practices when moving mower.

Do not allow children under 12 to use mower.

Do not operate around children, other people or pets.

Do not run while using the reel mower.

Make sure your mower is in safe operating condition by following the tips outlined in this manual.

## **LIMITED THREE-YEAR WARRANTY**

Fiskars warrants to the original consumer purchaser that its Lawn Mower products are free from defects in materials and workmanship appearing under normal use within three (3) years after the date of purchase. This warranty does not cover damage to Lawn Mower products caused by abuse, acts of God, your failure to follow product instructions, mishandling or unauthorized repair. THIS WARRANTY IS IN LIEU OF ALL OTHER EXPRESS WARRANTIES; AND ANY IMPLIED WARRANTIES, INCLUDING BUT NOT LIMITED TO ANY IMPLIED WARRANTY OF MERCHANTABILITY OR FITNESS FOR PARTICULAR PURPOSE, ARE LIMITED TO THE DURATION OF THIS WARRANTY. IN NO EVENT WILL FISKARS BRANDS, INC. BE LIABLE FOR ANY INCIDENTAL OR CONSEQUENTIAL DAMAGES. Some states do not allow limitations on how long an implied warranty lasts and/or the exclusion or limitation of incidental or consequential damages, so the above limitation and/or the above exclusion may not apply to you. This warranty gives you specific legal rights, and you may also have other rights which vary from state to state.

03-039475

# All it takes is you.

**Get Mowing**

This mower is set up at the factory to cut, no adjustment necessary

## Congratulations!

You're on your way to a healthy, beautiful lawn without gas, cords or batteries. If you've used a reel mower before, you'll immediately notice how this more advanced design makes mowing easier. If you're new to reel mowing, remember that human-powered lawn care requires a bit more effort. A short adjustment period is normal – and totally worth it.

Cuts all grass types, even tough southern varieties

60% easier to push than other reel mowers

StaySharp™ cutting system requires less sharpening

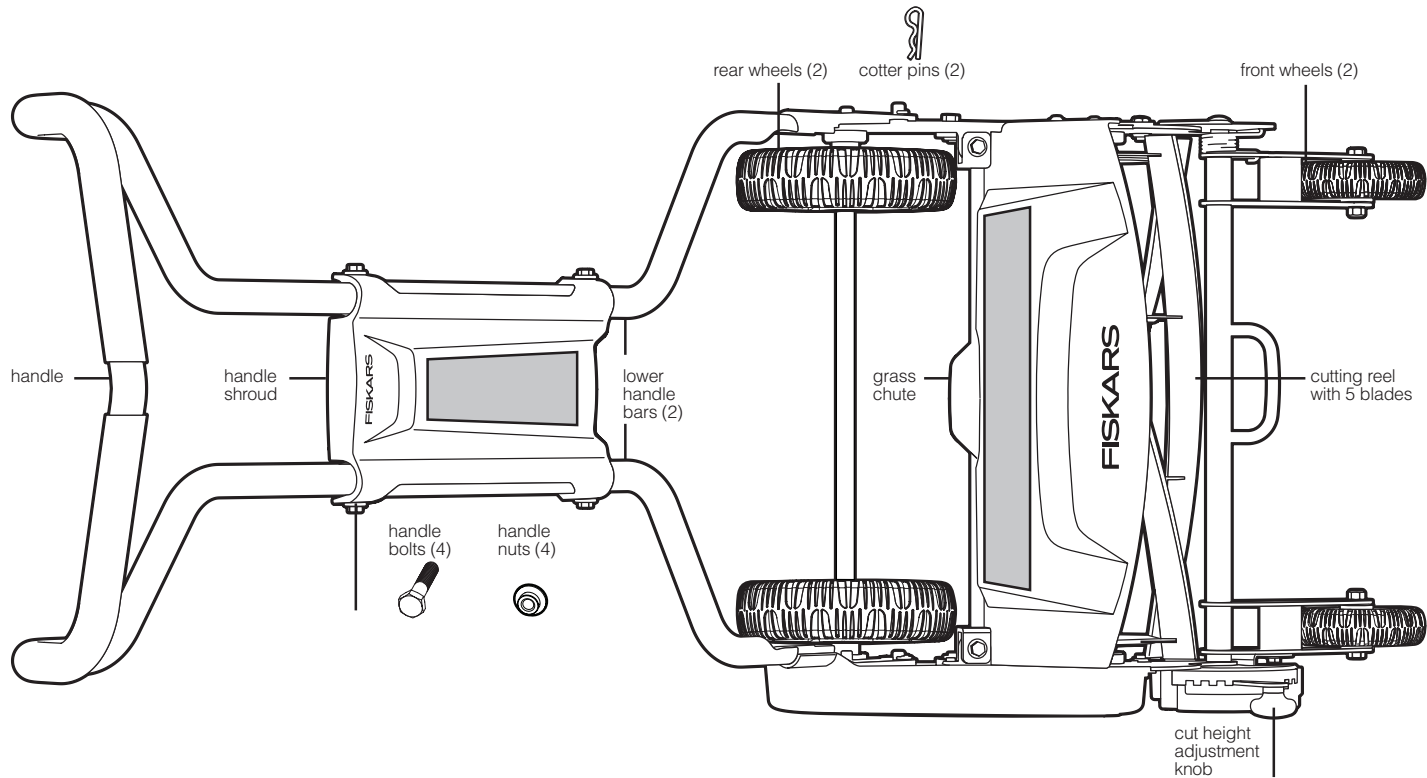
InertiaDrive™ reel delivers twice the cutting power

Easy, single-handed cut height adjustment (1"-4")



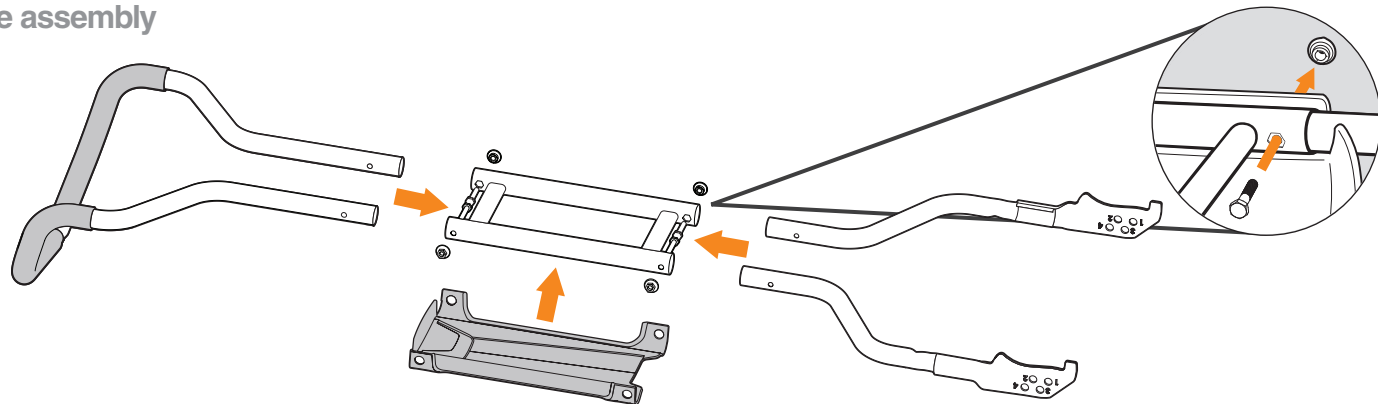
**Please read manual before making adjustments to the reel mower**

## What makes up the mower?



\*Easily peel away mower feature stickers located on the handle shroud and grass chute. Remove clear, plastic blade protector before using your mower.

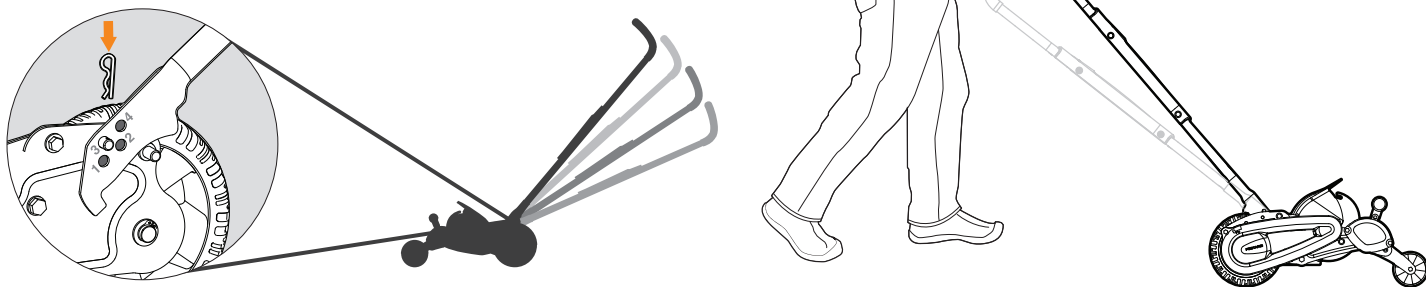
## Handle assembly



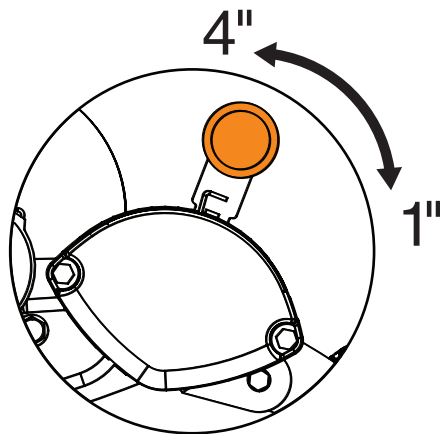
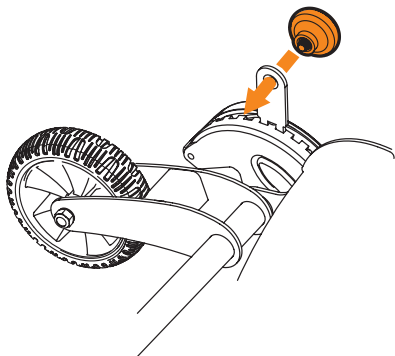
\*Arrange pieces as shown and assemble as arrows indicate.

## Handle height adjustment

Adjust handle as needed to accommodate user.

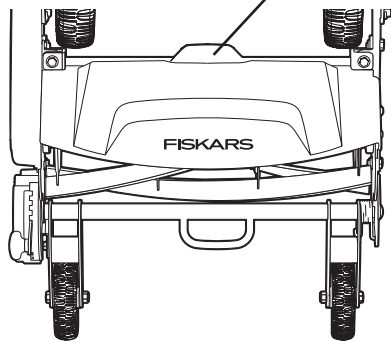


## Cut height assembly & adjustment

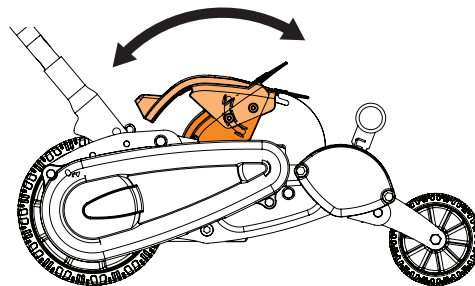


## Grass chute adjustment

Move handle up or down to adjust grass chute direction.



The reversible grass chute can direct clippings forward, away from your feet, or backward and downward, making it easier to mow tough patches while limiting messiness.



## General maintenance

### CLEAN

Use a broom or long-bristle brush to clean any grass clippings or other loose debris after mowing.

**NOTE: Do not use a garden hose to wash your mower.**

### DRY

Keep your mower dry to prevent rust.

Spraying with a rust preventative is acceptable. Do not use solvents such as mineral spirits or kerosene.

### LUBRICATE (see diagram to the right)

Treat moving parts at least once a season and prior to winter storage with a silicone-based lubricant.

Lubricating any time the mower gets wet will help prevent rust.

### INSPECT

Inspect your blades at least once a season and any time your mower strikes a hard object. **See page 8**

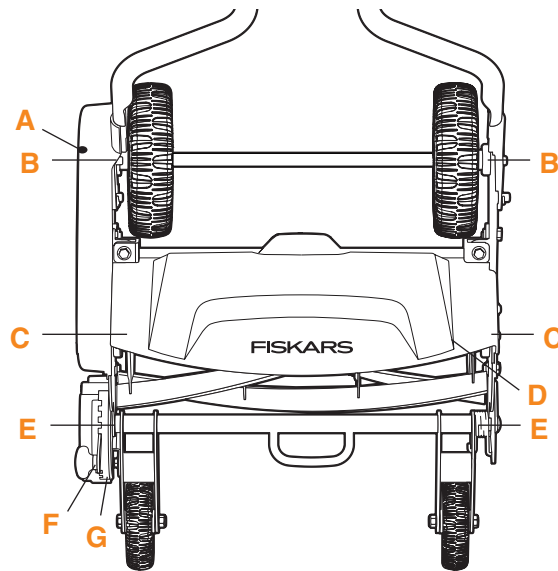
**Drive Chain (A):** Lubricate through hole while slowly rolling the mower forward to move the chain.

**Rear Wheel Bearings (B):** Spray between each wheel and side plate.

**Cutting Reel Bearings (C):** Spray both ends of the cutting reel shaft, located under the grass chute (D).

**Front Fork Assembly (E):** Spray both ends.

**Cut Height Adjustment Lever (F):** Spray the lever through the slot in the cover (G).



## Inspection & repair

### **⚠️ WARNING** Safety Information

Mower blades are sharp. Wear gloves when performing this procedure and keep fingers away from the interface between the reel and stationary blade.

Before checking the blades, ensure that the mower cannot roll forward by positioning it on a firm, level surface with blocked rear wheels.

#### **BLADE INSPECTION**

Facing the mower's front, slowly rotate the reel down, one blade at a time. Look for imperfections, listen for scraping and feel for resistance.

#### **Is there blade contact?**

Determine if the reel and stationary blade touch. If there is no contact and cut performance is good, no repair is needed. If there is contact caused by a nick or burr, see **REPAIRING BLADE CONTACT** (below). If contact is not caused by a nick or burr, consult online instructions for cut test and blade adjustments or call customer service.

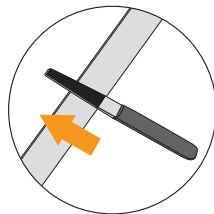
#### **Are there nicks or burrs?**

Determine if there are nicks or burrs. If none exist, or they exist but cut performance is good, no repair is needed. If nicks or burrs exist AND you experience poor cut performance, see **REPAIRING BLADE CONTACT** (below).

If there is no contact and there are no nicks or burrs, but cut performance is poor, go online or call customer service.

#### **REPAIRING BLADE CONTACT**

Using a flat, fine, narrow file, make long, straight strokes flush against the blade surface, perpendicular to the blade. Only file raised material that stops the reel from spinning freely. Avoid filing the cutting edge. Go online or call customer service for additional assistance.



## Performance issues

#### **BLADE TO REEL CONTACT**

Complete a **BLADE INSPECTION** as outlined in the adjacent section.

#### **POOR CUT PERFORMANCE**

Complete a **BLADE INSPECTION** as outlined in the adjacent section.

#### **DIFFICULTY PUSHING / REEL IS STATIONARY**

Complete a **BLADE INSPECTION** as outlined in the adjacent section. In addition, examine the sides of the mower for clogged debris or clippings, clearing them with a long-bristle brush.