



# INSTALLATION INSTRUCTIONS

**PART No.**

**FB22016**

**Jeep® YJ-TJ Wrangler 1987-2006  
Front Winch Bumper w/ LED's**



### REQUIRED TOOLS

- 3/4" Socket
- 3/4" Wrench
- 5/8" Wrench

### KIT CONTAINS

- M10 Hex Bolt
- M12 Hex Bolt
- 1/2" Hex Bolt
- M12 Hex Nut
- 1/2" Flat Washer
- M10 Flat Washer
- M12 Flat Washer
- Washer Plate (YJ only)
- Support Plate (YJ only)

### QTY

- 2
- 2
- 6
- 2
- 6
- 2
- 4
- 2
- 2

## INSTALLATION INSTRUCTIONS

**PART No.**

**FB22016**

**Jeep® YJ-TJ Wrangler 1987-2006  
Front Winch Bumper w/ LED's**

### 1) REMOVE YOUR FACTORY BUMPER

Begin by removing your factory bumper. Ensure you disconnect your factory fog lights (if equipped) before you pull your bumper away.



### 2) PREP YOUR NEW BUMPER FOR INSTALL

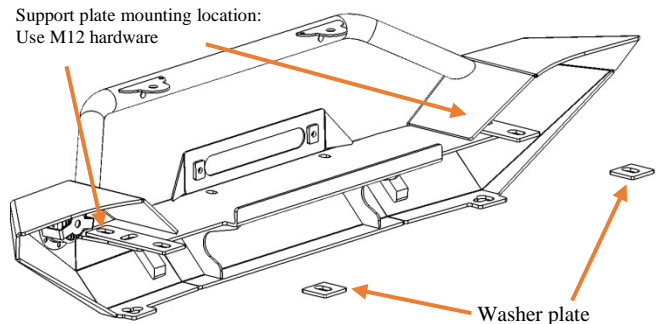
Before installing your bumper on your Jeep, we suggest attaching your winch and fairlead (if applicable).

#### INSTALL YOUR FAIRLEAD AND WINCH

We recommend installing the fairlead first as you'll have access to the bolts at this time. Follow the instructions that came with your winch to install the fairlead and winch body to the pre-drilled holes on your new bumper.

#### YJ ONLY: INSTALL YOUR SUPPORT PLATE

Install the support plate to your bumper. Using the supplied M12 bolts, washers, and nuts, secure the plate to your bumper in the forward-most hole on the plate as shown below. Repeat this for the other support plate on the opposite side of the bumper. The washer plates will be used as spacers for the rearmost bolts on top of your Jeep's bumper crossmember.



### 3) INSTALL YOUR BUMPER

#### 2 PERSON LIFT

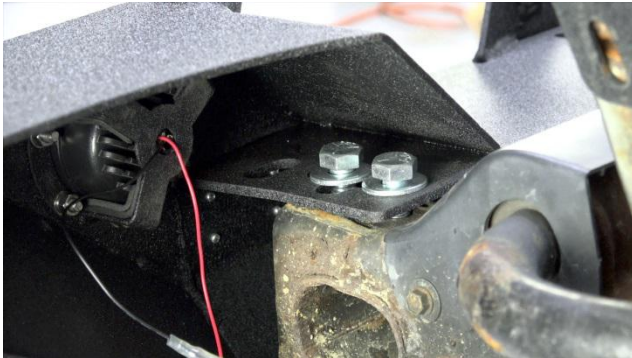


**WITH THE WEIGHT OF THE WINCH AND BUMPER, IT IS HIGHLY ADVISED TO HAVE HELP WHEN INSTALLING THE BUMPER!**

For the YJ, rest a washer plate on top of your frame over the rearmost bumper mount hole location. Do this for both sides.

With the help from a second pair of hands, lift the bumper up to the frame of the Jeep.

Secure the bumper to your frame with the supplied ½" hex bolts and flat washers.



**4) MOUNT YOUR D-RINGS**

**5) RUN YOUR WIRING**

Wire in your new LED lights. To keep a more stock appearance, you can splice these into your OEM fog light harness.

Wire your winch according to the winch manufacturer's instructions.

**6) ENJOY YOUR NEW FISHBONE OFFROAD BUMPER!**