

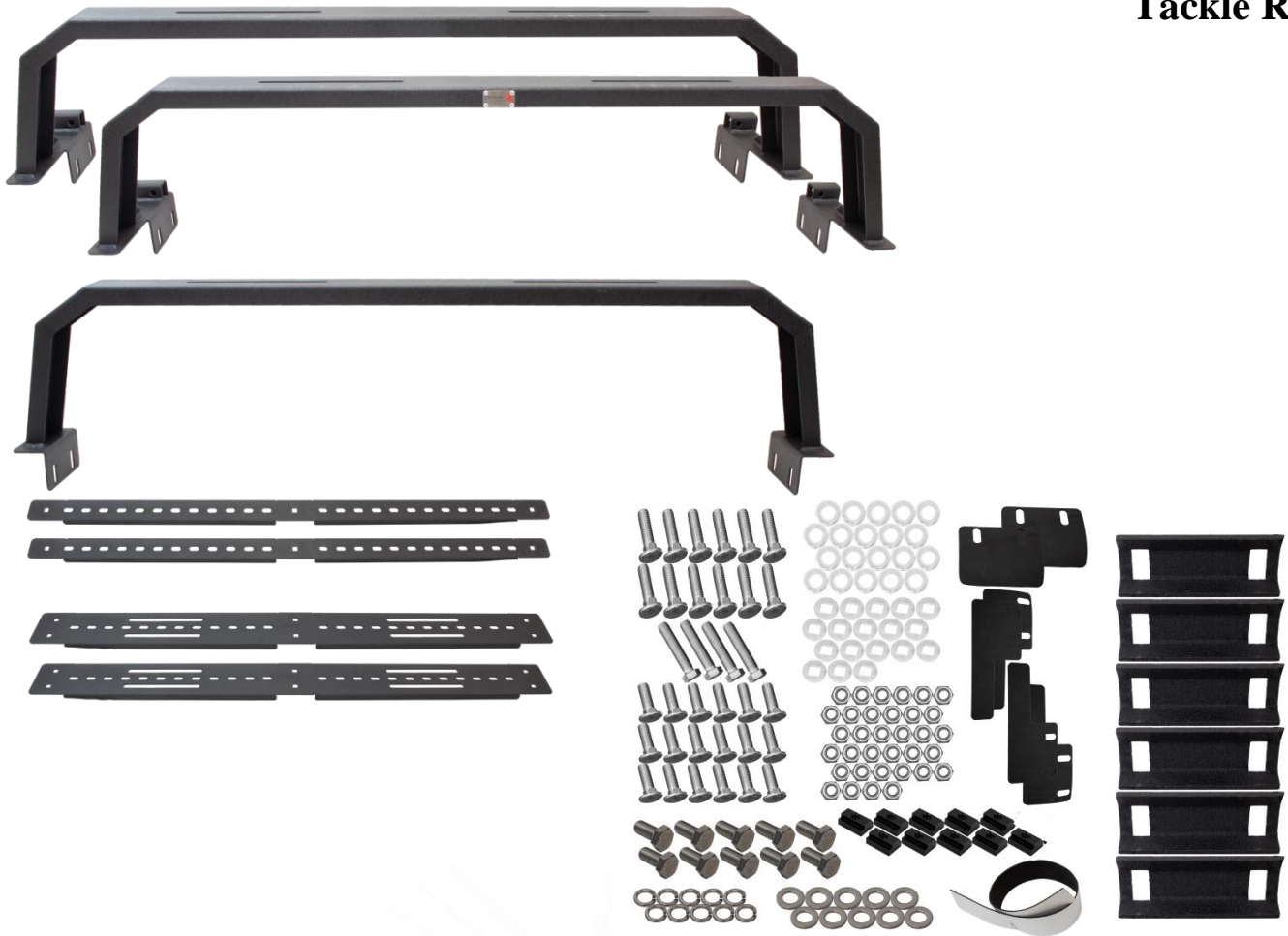


INSTALLATION INSTRUCTIONS

PART No.

FB22150

**Jeep® JT Gladiator
Tackle Rack**



REQUIRED TOOLS

Utility Knife

Ratchet

19MM Socket

19MM Wrench

Thread Locker (Trim dependent)

KIT CONTAINS

Foam Padding-Roll

Foam Padding-"L"

Foam Padding-Center Mounts

Arch Braces

Side Support Braces

Top Support Braces

Bed Channel Mount Brackets

M12 – 1.75 x 30mm Carriage Bolt

M12 – 1.75 x 50mm Carriage Bolt

Carriage Bolt Washers

M12 Washer 24mm OD

M12 – 1.75 Hex Nut

M12 – 1.75 x 60mm Hex Bolt

M12 – T Nut

M12 – 1.75 x 25mm Hex Bolt

M12 – Lock Washer

QTY

1

4

2

3

2

2

6

18

12

18

20

34

4

10

10

34

1) PREPARE

Prior to installation, apply the adhesive foam padding so that it covers any vehicle contact points, arch and support brace connections, or where you feel it's needed.



2) INSTALL ARCH BRACES

Place the arches on the bed. The 2 arches with the larger brackets belong on the outside.



The arch with our signature plate in the center faces the rear. Spacing will be determined by the support braces.



3) INSTALL TOP SUPPORT BRACES

Start installing the two thinner support braces. With 6 of the 30mm bolts, Carriage Bolt Washers, Lock Washers, and Hex Nuts (in that order), loosely secure them to the top of the arches in your desired locations.



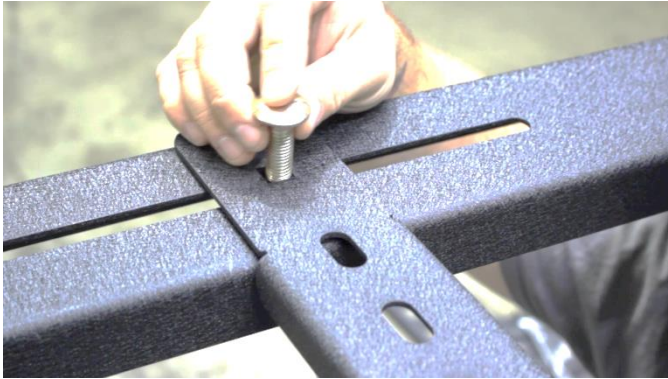
4) INSTALL SIDE SUPPORT BRACES

Loosely install the larger braces onto the sides of the arches, again using 6 bolt sets.



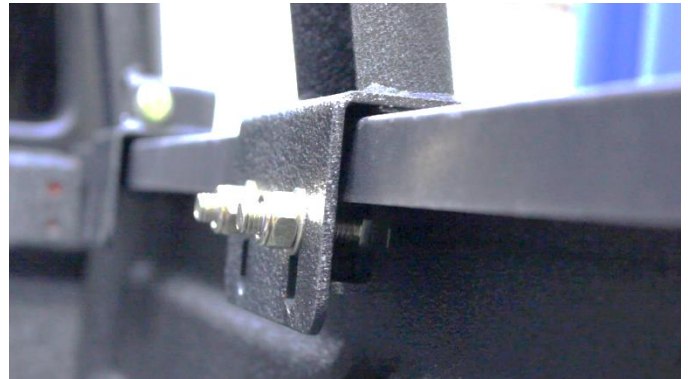
5) ADJUST SUPPORT BRACES

Slide the braces around to your liking and tighten them down using a 19mm socket.



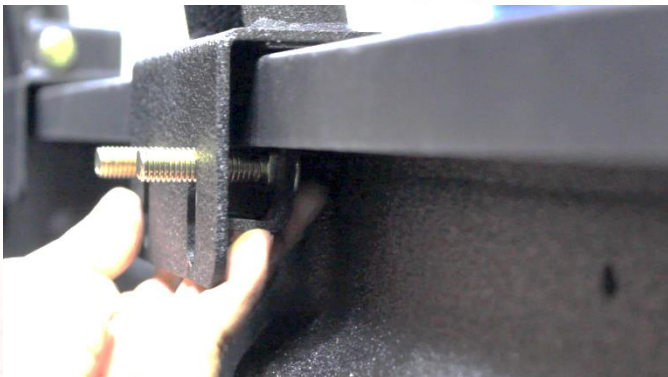
7) ACCESSORY MOUNTS

Using the 4 60mm bolts, washers, and nuts, secure the hardware into the accessory mounts for future use.



6) INSTALL BED CHANNEL MOUNT BRACKETS

Begin securing the rack to the bed by inserting two 50mm bolts into the included channel brackets as shown. Rotate it behind the arch bracket and push it high up against the plastic. With a 19mm socket, tighten down a nut and washer while ensuring it clamps onto the bed. Repeat for the remaining 5 brackets.



NOTE: If your vehicle comes with the Trail Rail, you will need to insert the included (10) T-Nuts, lining them up with each bracket.

The forward most bolt hole on each side will not be able to support a bolt and T-Nut due to the Rail's insert slot, and will be left empty [Shown below].



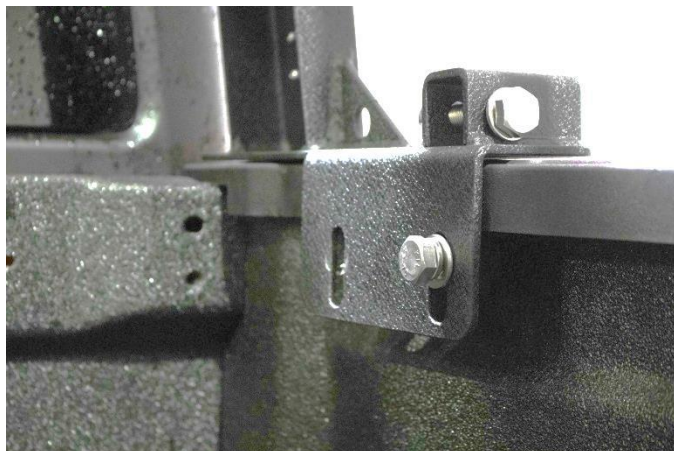


INSTALLATION INSTRUCTIONS

PART No.

FB22150

**Jeep® JT Gladiator
Tackle Rack**



Use the included Hex bolts, lock washers, flat washers, and thread locker and secure the Bed Rack down into the T-Nuts.

ENJOY YOUR NEW FISHBONE OFFROAD JT BED RACK!



Check out the collection of bed accessories we offer.