



Congratulations on your purchase of a new air spring spacer kit. Please take a few minutes to read through the instructions, identify the components, and learn how to properly install your air spring spacer kit. It is a good idea to start by comparing the parts in your kit with the parts list below. Be sure to take all the applicable safety precautions during the installation.

**Note:** The vehicle reaction and handling characteristics may differ from standard vehicles. Modifications to improve and/or enhance off road performance may raise the center of gravity. Extreme caution must be utilized when encountering driving conditions which may cause vehicle imbalance or loss of control. **Please Drive Safely!** Avoid abrupt maneuvers, such as sudden sharp turns which could cause a roll over, resulting in serious injury or death.

## STEP 1

Assembly will begin with the left (driver's) side of the vehicle. All pictures and instructions depict the installation on the left side of the vehicle. Install the upper bracket of your Ride-Rite Air Helper Spring kit according to the kits installation instructions. Next, install the air spring spacer to the bottom of the air spring using the 3/8" - 16 x 3/4" flange bolt out of the Ride-Rite Air Helper Spring kit. Make sure that the sticker is installed towards the rear of the vehicle.

## STEP 2

Locate the 7/16" x 1 1/2" bolts, 7/16 flat washers and 7/16" lock washers and your lower bracket out of your Ride-Rite Air Helper Spring kit. The air

spring mounting hole or holes in the lower bracket will have to be drilled out to 7/16". Mount the lower bracket to the bottom of the spacer using 7/16" x 1 1/2" bolt, 7/16 flat washer and 7/16 lock washer. Make sure to use Loctite® when installing these bolts

## STEP 3

Please refer back to your Ride-Rite Air Helper Spring installation manual to complete the lower bracket installation and to finish the installation of the kit.

## STEP 4

Follow Steps 1 – 3 for the assembly and installation of the right, or passenger's side assembly.

## PARTS LIST

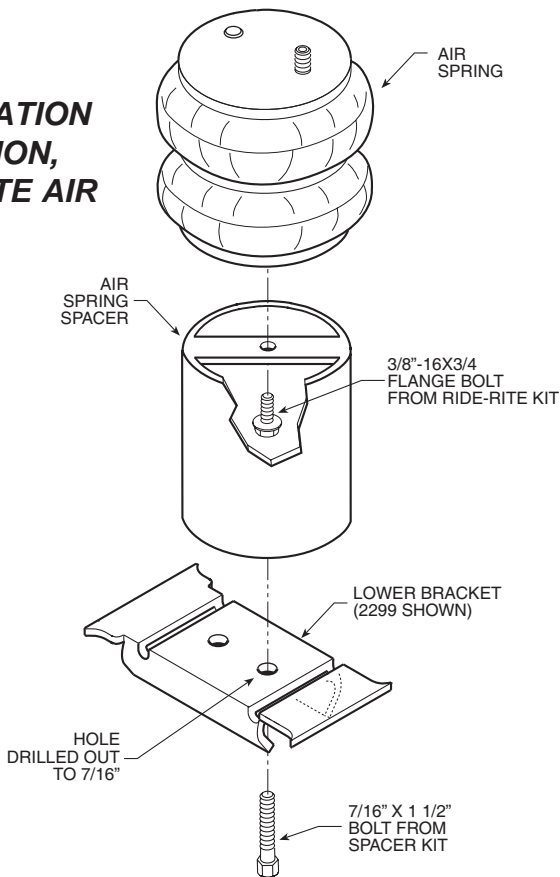
DESCRIPTION	QTY.	DESCRIPTION
AIR SPRING SPACER	2	DRILL
7/16" X 1 1/2" BOLT	4	7/16" DRILL BIT
7/16" FLAT WASHER	4	RATCHET
7/16" LOCK WASHER	4	5/8" SOCKET
3/8"-24 X 1" BOLT	4	9/16" SOCKET
3/8" FLAT WASHER	4	7" RATCHET EXTENSION
3/8" LOCK WASHER	4	

## REQUIRED TOOLS

# SPACER INSTALLATION

**Figure "A"**

**FOR UPPER BRACKET INSTALLATION AND COMPLETE KIT INSTALLATION, PLEASE REFER TO THE RIDE-RITE AIR HELPER SPRING INSTALLATION INSTRUCTIONS.**



**(2299 SHOWN)**

**Note:** Check to be sure that there is proper clearance around the air springs. With a load on the vehicle and the air helper springs inflated, there must be at least 1/2" clearance around the air springs.

## AXLE MOUNT EXAMPLE

## LEAF MOUNT EXAMPLE

