

Firestone

RIDE-RITE SPORT-RITE COIL-RITE™

AIR HELPER SPRINGS

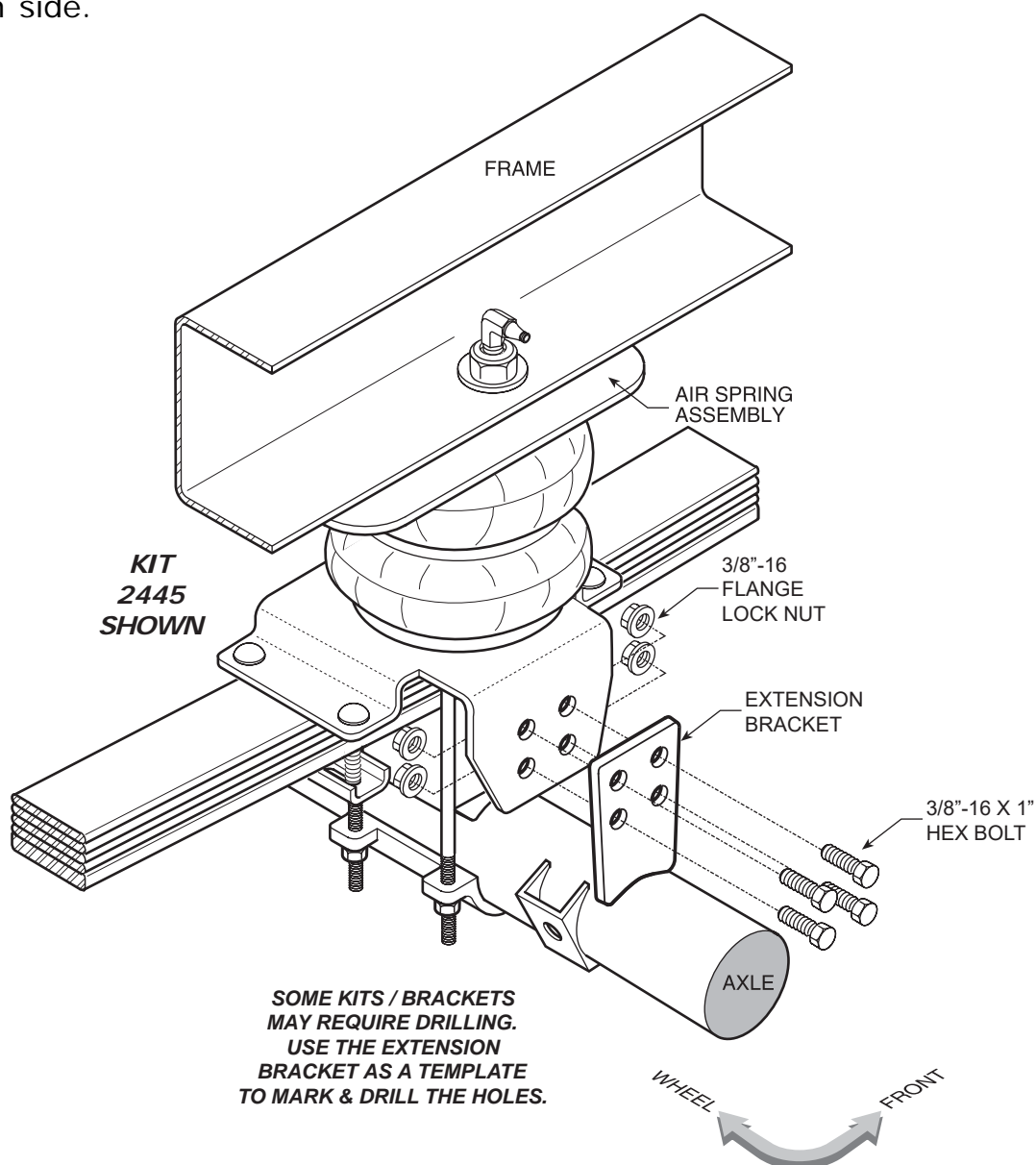
2506, 2507,
2508, 2509,
2510

Ride-Rite Axle Extension Brackets for lifted vehicles

NOTE: Some kits/brackets may require the mounting holes to be drilled. Use the extension bracket as a template to mark and drill the holes.

2", 4" & 6" extension brackets will use (4) 3/8"-16 x 1" hex bolts and 3/8" flange lock nuts on each side.

3" & 5" extension brackets will only use (2) 3/8"-16 x 1" hex bolts and 3/8" flange lock nuts on each side.



Learn more about performance suspension parts we have.