

DESCRIPTION: ELECTROMAGNETIC HORN – HIGH AND LOW TONE

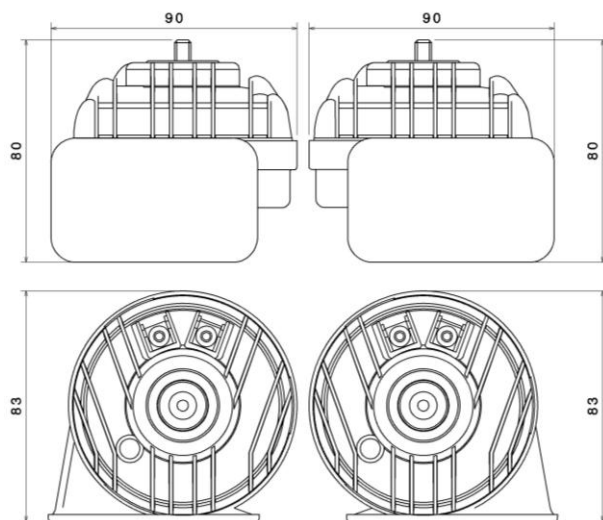
AM80S LUXE

Ref. 924648

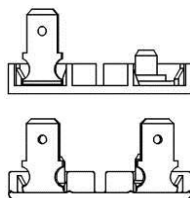
Main specifications and performances

Nominal voltage	12	Vdc
Voltage range	11,5-13,8	Vdc
Current consumption	9	A
Sound pressure level	110 (2m)	dB(A)
Frequency 'L'	405	Hz
Frequency 'H'	500	Hz
Operating temperature	-30° to +80°	°C
Storage temperature	-30° to +80°	°C
Corrosion resistance	> 480 (salt spray test)	Hours
Operating relative humidity	30 to 80	%
Durability (1 sec ON, 4 sec OFF)	>50 000	Cycles
Continuous blowing	> 3	min
Electrical insulation	1000	Vdc
Vibration (30 min, 3 axis)	1	g
Weight	240	gr
Main materials	Steel, ABS	
Main applications	Cars, Trucks, Motorcycles	

Dimensions (mm)



Available Electrical Connection



Other specifications

Mechanical connection: flat and rigid surface facing the bracket edge

Horn's Protection: choose an installation area protected from direct water and mud splash

Packaging: color box 190 x 93 x h85 mm

Master carton: 30 pieces

Conformity to Standards of

PRODUCT

- ✓ CEE 70/388
- ✓ REG. 28 ECE
- ✓ CEE 2009/19
- ✓ REG.10 ECE

MANUFACTURING

- ✓ ISO/TS 16949
- ✓ ISO 9001
- ✓ ISO 14001

Product and packaging

