

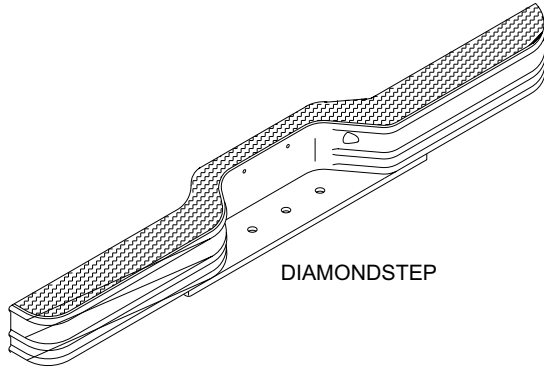


INSTALLATION INSTRUCTIONS

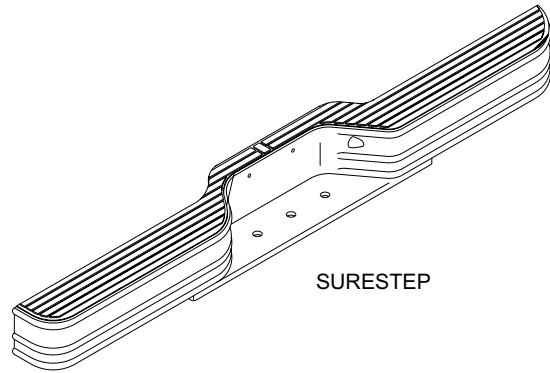
APPLICATION: 1987 - 1997 MITSUBISHI PICKUP

1987 - 1993 DODGE D-50

MOUNT KIT: #55/95500



DIAMONDSTEP



SURESTEP

BUMPER OVERALL WIDTH: 61.50"

HITCH WIDTH: 40.50"

VEHICLE FRAME WIDTH: 41.37"

QTY	MOUNTING KIT CONTENTS	BUMPER KIT CONTENTS	TOOLS REQUIRED
1	DRIVER SIDE MOUNTING BRKT	1 BUMPER	3/4" SOCKET
1	PASSENGER SIDE MOUNTING BRKT	1 LICENSE PLATE LIGHT KIT	3/4" WRENCH
8	1/2" BOLT		5/8" SOCKET
8	1/2" NUT		RATCHET
8	1/2" FLAT WASHER		TORQUE WRENCH
8	1/2" LOCK WASHER		

STEP 1: Using 1/2 inch hardware, loosely install mounting brackets on the outside of truck frame rails with the offset inboard. Refer to figure 1 and 2. DO NOT TIGHTEN mounting hardware at this time.

STEP 2: Install bumper onto mounting brackets with brackets outside of bumper hitch. See figure 2. Use remaining 1/2 inch hardware. DO NOT TIGHTEN.

STEP 3: Position bumper squarely to tailgate and allow clearance for tailgate to open. Tighten hardware as follows: 1/2 to 60-65 ft lbs

STEP 4: Using square plastic grommets and sheet metal screws, install license plate. See figure 3.

STEP 5: Install pop lights into bumper (figure 4). Using supplied connectors, splice pop light wires into truck illumination wire as shown in figure 4. Make sure license plate lights are working properly.

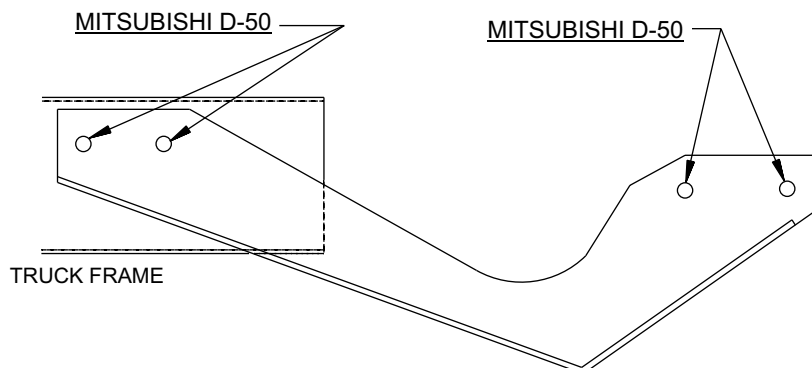


FIGURE 1
(driver side view)

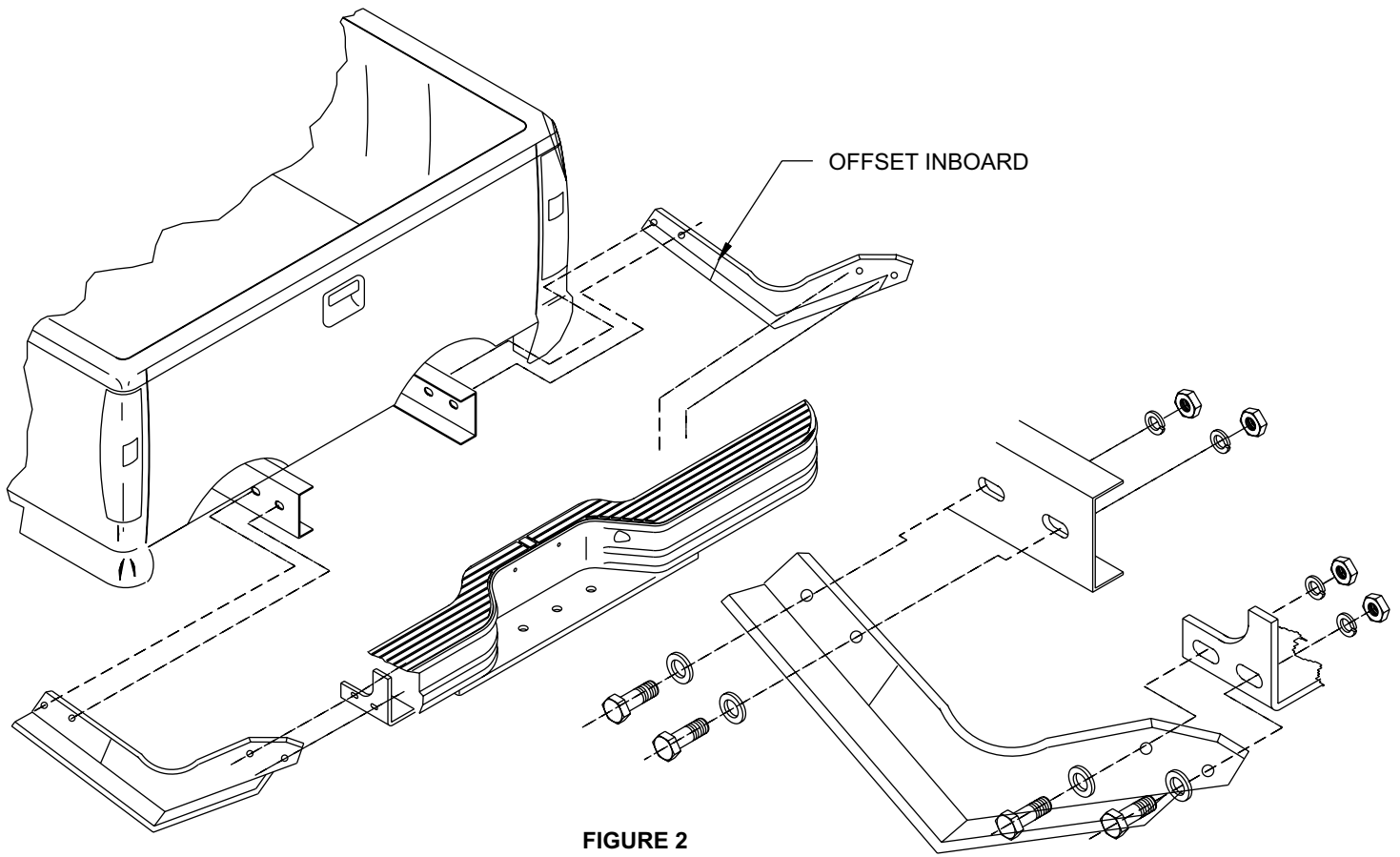


FIGURE 2

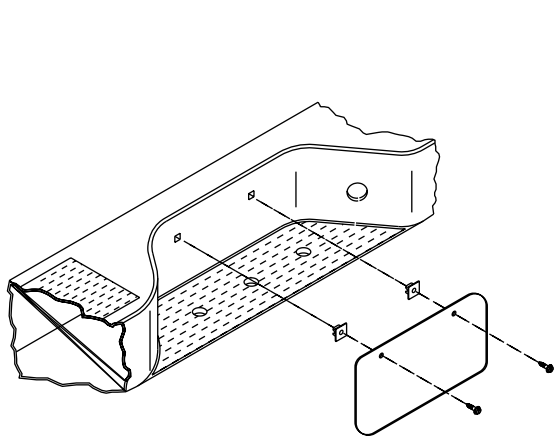


FIGURE 3

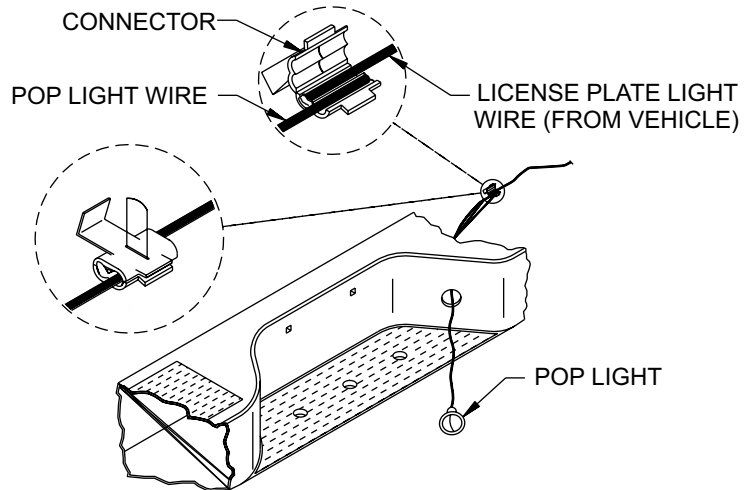


FIGURE 4